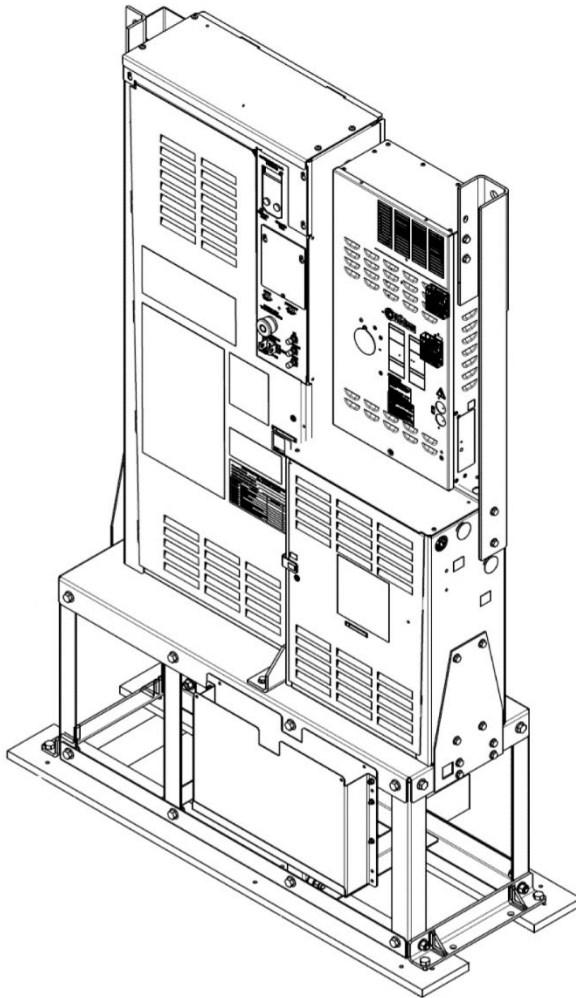
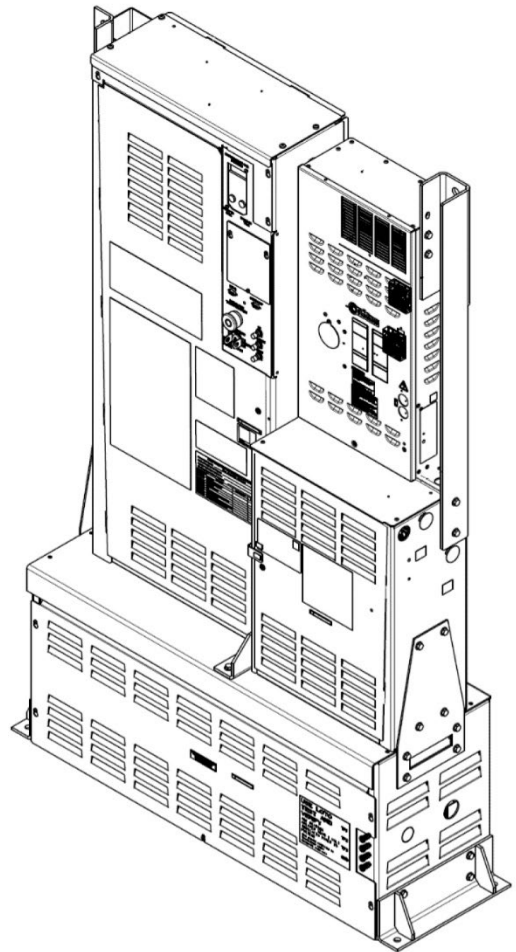


**Variable Frequency
Controller for NSAA
Gen3® Core**

**Spare Parts Leaflet
10-AAA21310BM
July 31, 2024 / Page 1 of 3**



Controller without Transformer Box



Controller with Transformer Box

OTIS

This document does not contain any
technical data subject to EAR or ITAR

**SERVICE ENGINEERING
Otis Elevator Company
Bloomfield, Connecticut USA**

Unpublished Work—© Otis Elevator Co.; 2024

History

10-AAA21310BM

Leaflet Description

This leaflet lists the lowest replaceable units for type AAA21305GW controllers. These controllers are Gen3 variable frequency controllers, used in NSAA for Gen3 Core units running at 150 or 200 fpm.

Leaflet Revisions

Date Revised	Subject Matter Expert	Reason for Revision
July 31, 2024	Cuauhtemoc Castro Inzunza / Bennie Murah	New SPL

Related Drawings

Drawing No.	Title	Drawing No.	Title
AAA21310BM	Gearless Variable Frequency Controller NSAA Global Control System	AAA21310BM_BOM	Gearless Variable Frequency, Machine Room, G3C
AAA21305HD	Brake Box	AAA21305HD_BOM	Miscellaneous Equipment, NSAA G3C Brake Module
AAA21305HC	Controller Box	AAA21305HC_BOM	Miscellaneous Equipment Control Section Assembly
HAA21310AZ4	40A Ultra Drive assembly: OVFR05F-404	AEA21305BR_BOM	Assembly, Transformer and Box GCS Controller
AEA21305BR	Transformer and Box, GCS Controller		

Related Documents

Document ID	Title
SPL 10-AAA21305HD	NSAA Global Control System Brake Module
SPL 10-AAA21305HC	Gen3Core MR: Controller Box
SPL 10-AAA21305BR	Global Control System: Transformer Box
10-HAA21310AZ	OVFR05F-404; Ultra Drive 40A Drive Assembly

Subject Matter Expert

Name	Department
Cuauhtemoc Castro Inzunza	Electrical Engineering, New Product Introduction

About Spare Parts Leaflets...

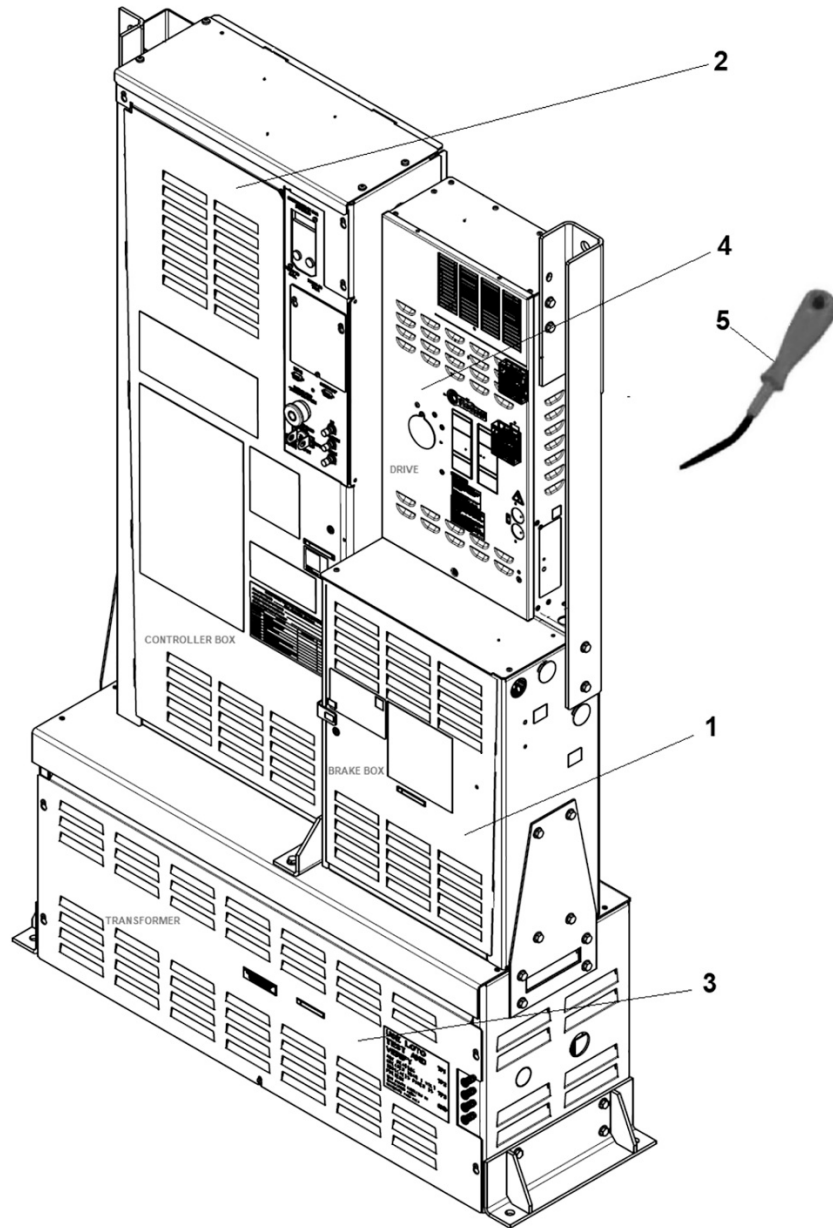
This document lists the lowest replaceable units (LRUs) for the standard version of the product. The LRUs are chosen by a team of Otis associates representing engineering and manufacturing.

While goal of this document is to make parts identification as easy as possible, the document cannot be all-inclusive. Elevator and escalator contracts classified as "special" or "custom" are not addressed here. For such contracts, please refer to specified information, the contract folder, TIPs, Field Education Articles, Construction Letters, etc. for further information.

If you have any suggestions about this document, please contact the subject matter expert listed on this page.

Gen3 Core MR Assembly

10-AAA21310BM



AAA21310BM		
REF. No.	PART No.	DESCRIPTION
1	---	Assembly, G3C Brake Box, See SPL 10-AAA21305HD for Detailed Parts Listing
2	---	Assembly, G3C Control Module, See SPL 10-AAA21305HC for Detailed Parts Listing
3	---	Assembly, G3C Transformer Box, See SPL 10-ADA21305BR for Detailed Parts Listing
4	HAA21310AZ4	Drive, Ultra, Regenerative (OVFR05F-404) NSAA, 480 V / 208 V-240 V, 3P/1P, Gen3 Core See SPL 10-HAA21310AZ
5	MT-105041	Tool, Terminal Block Operating used with all Wago Terminal Blocks