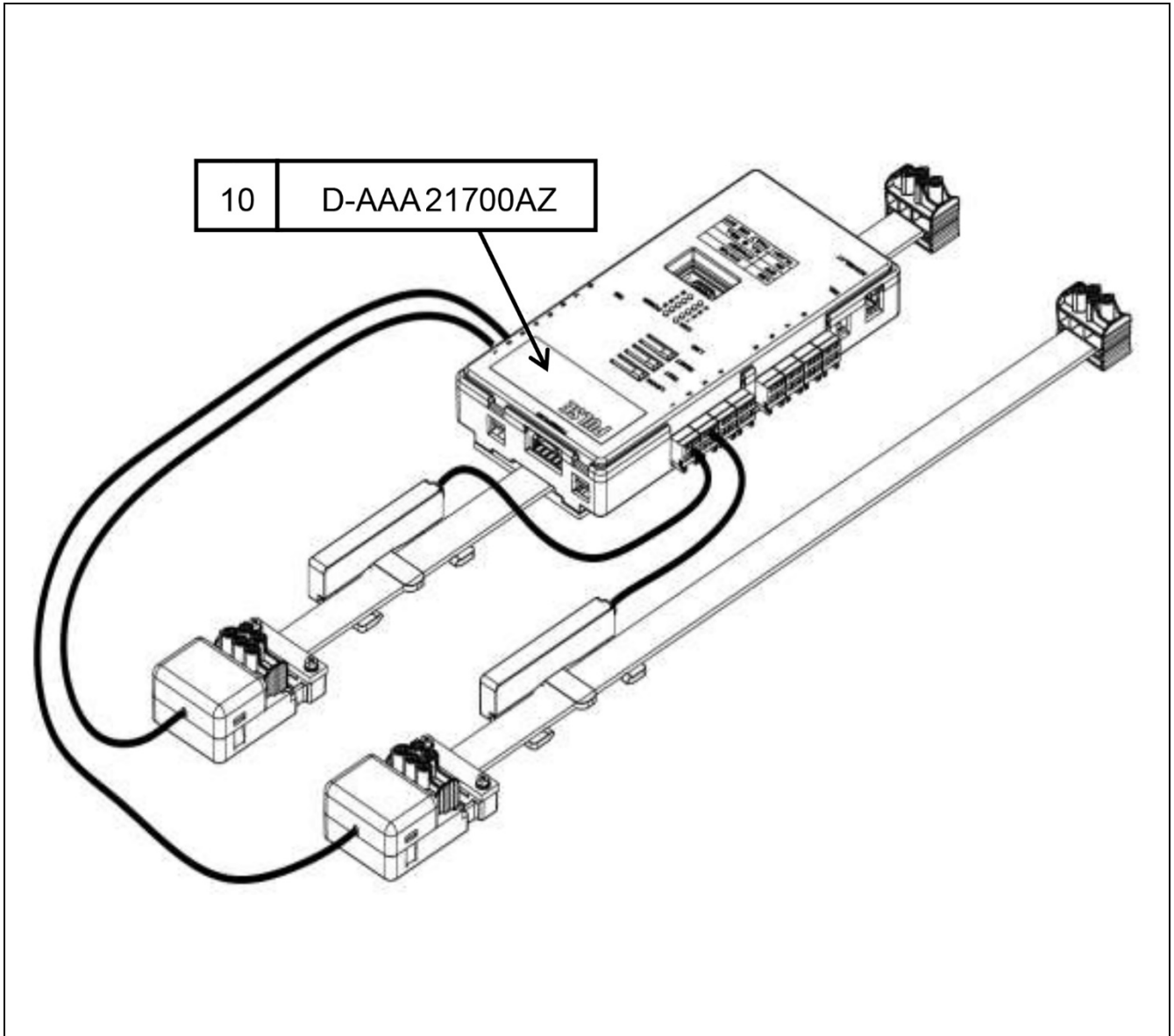


CAN CSB Monitor

Spare Parts Leaflet

10-AAA21700AZ

June 26, 2024 / Page 1 of 14



This document contains technical data
subject to EAR. ECCN=EAR99

OTIS ENGINEERING CENTER
Otis Elevator Company
Farmington, Connecticut, USA

Unpublished Work—© Otis Elevator Co.; 2024

History

10-AAA21700AZ

Leaflet Description

The CAN CSB monitor is used on Gen360 and Gen3 Core elevator systems with 34 kN, 43 kN, 52 kN and 86 kN coated steel belts. **As per Liftinstituut, the 2-belt SIL models will be covered under a 2-belt SIL SPL.**

Leaflet Revisions

Date Revised	Subject Matter Expert	Reason for Revision
See next page for revision history.		

Related Drawings

Drawing No.	Title	Drawing No.	Title
ADA21700AZ	CSB Monitor	AAA717AJ	Contitech 34/43/86 kN CSB
AAA717AM	43kN Brugg CSB	AAA717AP	43kN EHC CSB

Related Documents

Document ID	Title
AAA21700AZ_BD	CAN CSB Monitoring with Load Weighing and Slack Rope Switch

Subject Matter Expert

Name	Department
Rich Marchetti	Controls, OEC-F, Farmington, CT USA

About Spare Parts Leaflets...

This document lists the lowest replaceable units (LRUs) for the standard version of the product. The LRUs are chosen by a team of Otis associates representing engineering and manufacturing.

While goal of this document is to make parts identification as easy as possible, the document cannot be all-inclusive. Elevator and escalator contracts classified as "special" or "custom" are not addressed here. For such contracts, please refer to specified information, the contract folder, TIPS, Field Education Articles, Construction Letters, etc. for further information.

If you have suggestions about this document, please contact the subject matter expert listed on this page.

History (continued)

10-AAA21700AZ

Leaflet Revisions

Date Revised	Subject Matter Expert	Reason for Revision
September 18, 2018	Peter Keyo	New SPL
April 22 nd , 2019	Peter Keyo	PCBA part number changed for SCS improvement
October 30, 2020	Richard Marchetti	Update: remove LWD sensors, added belt connector cables
June 29, 2022	Katie L'Ecuyer	Update: new non-SCS versions of CAN RBI
July 13, 2022	Katie L'Ecuyer	Update: Corrected technical data statement
April 26, 2023	Rich Marchetti	Removed retrofit versions
June 26, 2024	Richard Marchetti	Added in new models for NAA (Gen3 Core) and Gen360 China mid-rise (Brugg and EHC belts). Eliminated all JIS models. Added 1500 mm 43 kN LWD sensor and 1500 mm belt connector harness.

Revision Approval Record

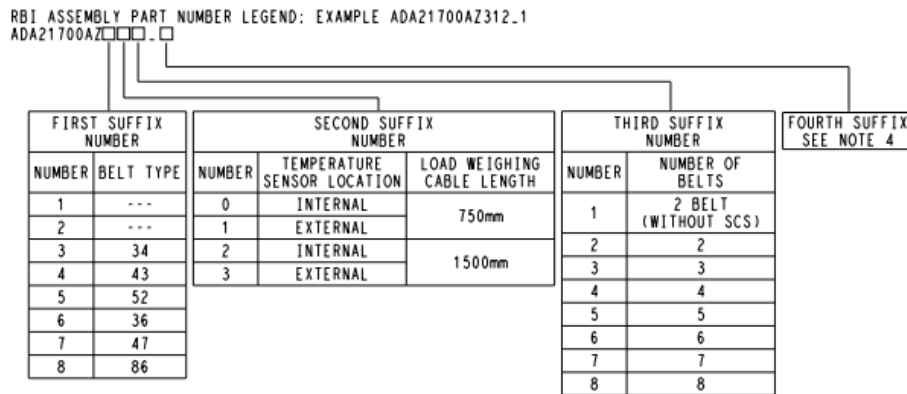
Rev Date	Project/PC	Revised By	Approved By	(Signature and date)
2018-09-18	D5015	Keyo, P		
2019-04-22	D5015	Keyo, P		
2020-10-30	D5015	Marchetti, R	Gallo, B	<i>Bruce Gallo 2020-11-03</i>
2022-03-09	10107	L'Ecuyer, K	Gallo, B	<i>Bruce Gallo 2022-03-22</i>
2023-02-27	90012	Marchetti, R	Bates, D	2023-02-27
2024-05-28	700140	Marchetti, R	Bates, D	2024-05-28

Definitions & Acronyms

ANSI – American National Standards Institute
 CSB – Coated Steel Belt
 EEPROM – Electronically Erasable Programmable Read Only Memory
 EN – European Committee for Standardization
 JIS – Japanese Industrial Standards
 LRU – Lowest Replaceable Unit
 MRL – Machine Roomless
 MMR – Mini-Machine Room
 PCB – Printed Circuit Board
 SPL – Spare Parts Leaflet

Part Numbering

The following part number scheme has been adopted throughout this document:



The final assembly part number is the combination of the base part and item 8 (Plate, data). Example: ADA21700AZ303_2.

FIRST SUFFIX NUMBER	DESIGNATION "X"	PLATE, DATA	SAFETY CODE (REF)	IMPORT LABEL	BELT CONNECTOR WIRE HARNESS ITEM NUMBER	BELT MFG	REMARKS
1-8	1	ABA102AMV7	EN	---	ITEM 9	CONTI	ITEM 9 BELT CONNECTOR HARNESS (750mm)
	2	ABA102AMV8	ANSI	---			
	3	---	JIS	---			
	4	ABA102AMV7	EN	ABA102AMV9			
	5	ABA102AMV7	EN	ABA102AMV10			
4 OR 8	6	ABA102AMV8	ANSI	---	ITEM 16		ITEM 16 BELT CONNECTOR HARNESS (1500mm)
4	7	ABA102AMV7	EN	---	ITEM 9	BRUGG	ITEM 9 BELT CONNECTOR HARNESS (750mm)
	8	ABA102AMV7	EN	---	ITEM 9	EHC	

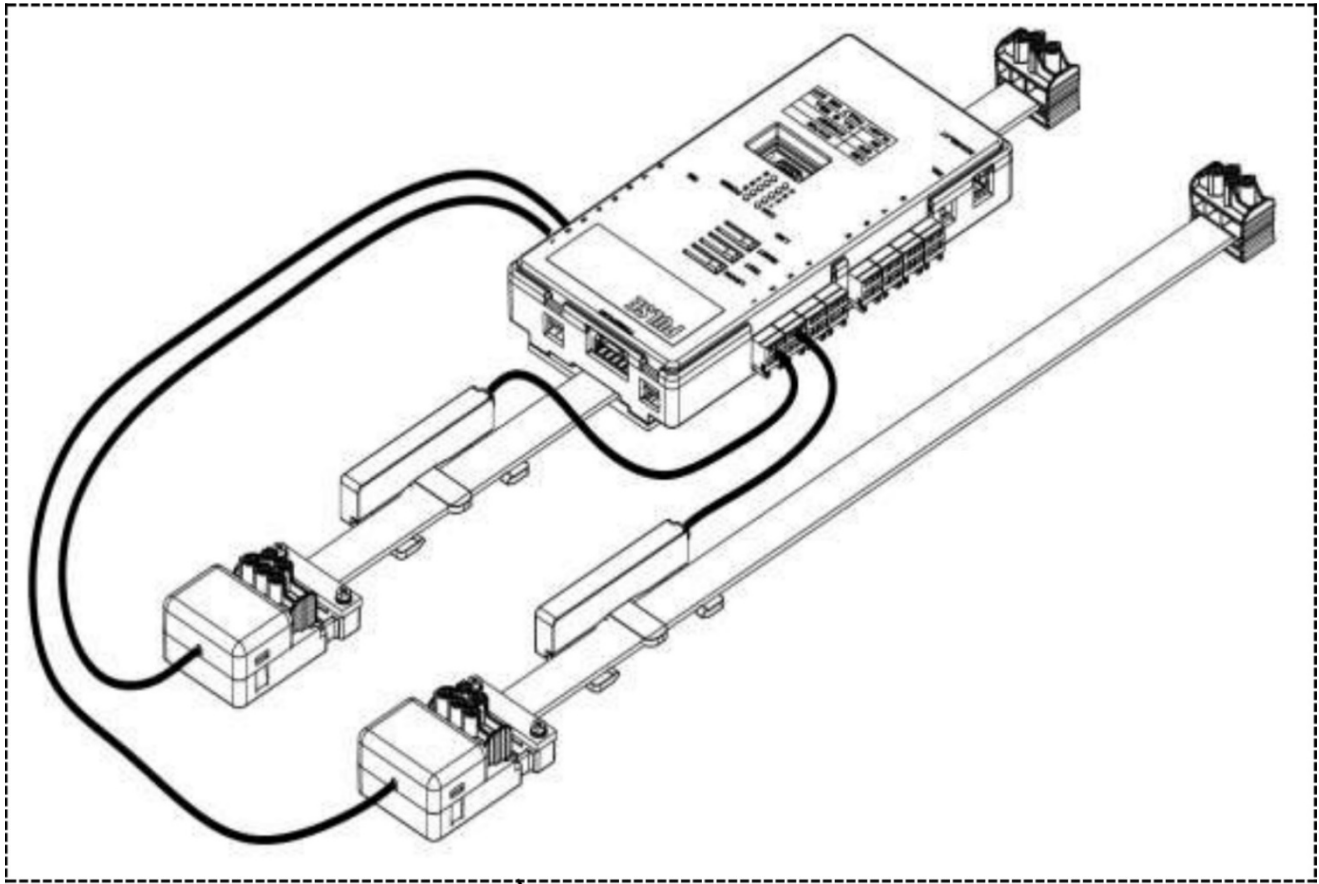
For example, the part number ADA21700AZ413_2 refers to a configuration that is:

- Used on a 43kN system
- Contains an external temperature sensor
- Supports 3 belts
- Load Weighing Cable length is 750 mm
- Configured for the ANSI safety code.

External temperature sensors are used when the belt and monitoring unit are not located in the same space and are required for machine room installations. The safety code is set in software and can be reconfigured using the service tool if necessary.

CAN Monitor Assembly

10-AAA21700AZ



1

REF. No.	EN PART No.	ANSI PART No.	JIS PART No.	Installation Type	Temp Sensor Location	CSB Rating	No. CSB	Notes
1	AAA21700AZ302_EN	AAA221700AZ302_ANSI	AAA21700AZ302_JIS	New Equipment	Internal	34 kN	2	See Note 1
	ADA21700AZ302_EN	ADA21700AZ302_ANSI	ADA21700AZ302_JIS					
	ADA21700AZ302_1	ADA21700AZ302_2	ADA21700AZ302_3					
	AAA21700AZ303_EN	AAA21700AZ303_ANSI	AAA21700AZ303_JIS					
	ADA21700AZ303_EN	ADA21700AZ303_ANSI	ADA21700AZ303_JIS				3	
	ADA21700AZ303_1	ADA21700AZ303_2	ADA21700AZ303_3					
	AAA21700AZ304_EN	AAA21700AZ304_ANSI	AAA21700AZ304_JIS					
	ADA21700AZ304_EN	ADA21700AZ304_ANSI	ADA21700AZ304_JIS				4	
	ADA21700AZ304_1	ADA21700AZ304_2	ADA21700AZ304_3					
	AAA21700AZ305_EN	AAA21700AZ305_ANSI	AAA21700AZ305_JIS					
	ADA21700AZ305_EN	ADA21700AZ305_ANSI	ADA21700AZ305_JIS				5	
	ADA21700AZ305_1	ADA21700AZ305_2	ADA21700AZ305_3					

(Continued on Next Page)

CAN Monitor Assembly

10-AAA21700AZ

REF. No.	EN PART No.	ANSI PART No.	JIS PART No.	Installation Type	Temp Sensor Location	CSB Rating	No. CSB	Notes			
1	AAA21700AZ306_EN ADA21700AZ306_EN ADA21700AZ306_1	AAA21700AZ306_ANSI ADA21700AZ306_ANSI ADA21700AZ306_2	AAA21700AZ306_JIS ADA21700AZ306_JIS ADA21700AZ306_3	New Equipment	Internal	34 kN	6				
	AAA21700AZ307_EN ADA21700AZ307_EN ADA21700AZ307_1	AAA21700AZ307_ANSI ADA21700AZ307_ANSI ADA21700AZ307_2	AAA21700AZ307_JIS ADA21700AZ307_JIS ADA21700AZ307_3				7				
	AAA21700AZ308_EN ADA21700AZ308_EN ADA21700AZ308_1	AAA21700AZ308_ANSI ADA21700AZ308_ANSI ADA21700AZ308_2	AAA21700AZ308_JIS ADA21700AZ308_JIS ADA21700AZ308_3				8				
	AAA21700AZ312_EN ADA21700AZ312_EN ADA21700AZ312_1	AAA21700AZ312_ANSI ADA21700AZ312_ANSI ADA21700AZ312_2	AAA21700AZ312_JIS ADA21700AZ312_JIS ADA21700AZ312_3				2	See Note 1 on Page 7			
	AAA21700AZ313_EN ADA21700AZ313_EN ADA21700AZ313_1	AAA21700AZ313_ANSI ADA21700AZ313_ANSI ADA21700AZ313_2	AAA21700AZ313_JIS ADA21700AZ313_JIS ADA21700AZ313_3				3				
	AAA21700AZ314_EN ADA21700AZ314_EN ADA21700AZ314_1	AAA21700AZ314_ANSI ADA21700AZ314_ANSI ADA21700AZ314_2	AAA21700AZ314_JIS ADA21700AZ314_JIS ADA21700AZ314_3				4				
	AAA21700AZ315_EN ADA21700AZ315_EN ADA21700AZ315_1	AAA21700AZ315_ANSI ADA21700AZ315_ANSI ADA21700AZ315_2	AAA21700AZ315_JIS ADA21700AZ315_JIS ADA21700AZ315_3		External		5				
	AAA21700AZ316_EN ADA21700AZ316_EN ADA21700AZ316_1	AAA21700AZ316_ANSI ADA21700AZ316_ANSI ADA21700AZ316_2	AAA21700AZ316_JIS ADA21700AZ316_JIS ADA21700AZ316_3				5				
	AAA21700AZ317_EN ADA21700AZ317_EN ADA21700AZ317_1	AAA21700AZ317_ANSI ADA21700AZ317_ANSI ADA21700AZ317_2	AAA21700AZ317_JIS ADA21700AZ317_JIS ADA21700AZ317_3				6				
	AAA21700AZ318_EN ADA21700AZ318_EN ADA21700AZ318_1	AAA21700AZ318_ANSI ADA21700AZ318_ANSI ADA21700AZ318_2	AAA21700AZ318_JIS ADA21700AZ318_JIS ADA21700AZ318_3				8				
	AAA21700AZ402_EN ADA21700AZ402_EN ADA21700AZ402_1	AAA21700AZ402_ANSI ADA21700AZ402_ANSI ADA21700AZ402_2	AAA21700AZ402_JIS ADA21700AZ402_JIS ADA21700AZ402_3				New Equipment	Internal	43 kN	2	See Note 1 on Page 7
	AAA21700AZ403_EN ADA21700AZ403_EN ADA21700AZ403_1 ADA21700AZ403_7 ADA21700AZ403_8	AAA21700AZ403_ANSI ADA21700AZ403_ANSI ADA21700AZ403_2 ADA21700AZ403_6	AAA21700AZ403_JIS ADA21700AZ403_JIS ADA21700AZ403_3							3	x_6: See Note 4

(Continued on Next Page)

CAN Monitor Assembly

10-AAA21700AZ

REF. No.	EN PART No.	ANSI PART No.	JIS PART No.	Installation Type	Temp Sensor Location	CSB Rating	No. CSB	Notes
1	ADA21700AZ404_1 ADA21700AZ404_7 ADA21700AZ404_8	ADA21700AZ404_2 ADA21700AZ404_6		New Equipment	Internal	43 kN	4	x_6: See Note 4
	AAA21700AZ405_EN ADA21700AZ405_EN ADA21700AZ405_1 ADA21700AZ405_7 ADA21700AZ405_8	AAA21700AZ405_ANSI ADA21700AZ405_ANSI ADA21700AZ405_2 ADA21700AZ405_6	AAA21700AZ405_JIS ADA21700AZ405_JIS ADA21700AZ405_3				5	x_6: See Note 4
	AAA21700AZ406_EN ADA21700AZ406_EN ADA21700AZ406_1 ADA21700AZ406_7 ADA21700AZ406_8	AAA21700AZ406_ANSI ADA21700AZ406_ANSI ADA21700AZ406_2 ADA21700AZ406_6	AAA21700AZ406_JIS ADA21700AZ406_JIS ADA21700AZ406_3				6	x_6: See Note 4
	AAA21700AZ407_EN ADA21700AZ407_EN ADA21700AZ407_1 ADA21700AZ407_7 ADA21700AZ407_8	AAA21700AZ407_ANSI ADA21700AZ407_ANSI ADA21700AZ407_2 ADA21700AZ407_6	AAA21700AZ407_JIS ADA21700AZ407_JIS ADA21700AZ407_3				7	x_6: See Note 4
	AAA21700AZ408_EN ADA21700AZ408_EN ADA21700AZ408_1 ADA21700AZ408_7 ADA21700AZ408_8	AAA21700AZ408_ANSI ADA21700AZ408_ANSI ADA21700AZ408_2 ADA21700AZ408_6	AAA21700AZ408_JIS ADA21700AZ408_JIS ADA21700AZ408_3				8	x_6: See Note 4
	AAA21700AZ412_EN ADA21700AZ412_EN ADA21700AZ412_4	AAA21700AZ412_ANSI ADA21700AZ412_ANSI ADA21700AZ412_2	AAA21700AZ412_JIS ADA21700AZ412_JIS ADA21700AZ412_3		2		See Note 1	
	AAA21700AZ413_EN ADA21700AZ413_EN ADA21700AZ413_1 ADA21700AZ413_7 ADA21700AZ413_8	AAA21700AZ413_ANSI ADA21700AZ413_ANSI ADA21700AZ413_2 ADA21700AZ413_6	AAA21700AZ413_JIS ADA21700AZ413_JIS ADA21700AZ413_3		3		x_6: See Note 4	
	AAA21700AZ414_EN ADA21700AZ414_EN ADA21700AZ414_1 ADA21700AZ414_7 ADA21700AZ414_8	AAA21700AZ414_ANSI ADA21700AZ414_ANSI ADA21700AZ414_2 ADA21700AZ414_6	AAA21700AZ414_JIS ADA21700AZ414_JIS ADA21700AZ414_3		4		x_6: See Note 4	
	AAA21700AZ415_EN ADA21700AZ415_EN ADA21700AZ415_1 ADA21700AZ415_7 ADA21700AZ415_8	AAA21700AZ415_ANSI ADA21700AZ415_ANSI ADA21700AZ415_2 ADA21700AZ415_6	AAA21700AZ415_JIS ADA21700AZ415_JIS ADA21700AZ415_3		5		x_6: See Note 4	
							External	

CAN Monitor Assembly

10-AAA21700AZ

REF. No.	EN PART No.	ANSI PART No.	JIS PART No.	Installation Type	Temp Sensor Location	CSB Rating	No. CSB	Notes
1	AAA21700AZ416_EN ADA21700AZ416_EN ADA21700AZ416_1 ADA21700AZ416_7 ADA21700AZ416_8	AAA21700AZ416_ANSI ADA21700AZ416_ANSI ADA21700AZ416_2 ADA21700AZ416_6	AAA21700AZ416_JIS ADA21700AZ416_JIS ADA21700AZ416_3	New Equipment	External	43 kN	6	x_6: See Note 4
	AAA21700AZ417_EN ADA21700AZ417_EN ADA21700AZ417_1 ADA21700AZ417_7 ADA21700AZ417_8	AAA21700AZ417_ANSI ADA21700AZ417_ANSI ADA21700AZ417_2 ADA21700AZ417_6	AAA21700AZ417_JIS ADA21700AZ417_JIS ADA21700AZ417_3				7	x_6: See Note 4
	AAA21700AZ418_EN ADA21700AZ418_EN ADA21700AZ418_1 ADA21700AZ418_7 ADA21700AZ418_8	AAA21700AZ418_ANSI ADA21700AZ418_ANSI ADA21700AZ418_2 ADA21700AZ418_6	AAA21700AZ418_JIS ADA21700AZ418_JIS ADA21700AZ418_3				8	x_6: See Note 4
		ADA21700AZ423_6					3	See Note 3, 4
		ADA21700AZ424_6					4	
	AAA21700AZ802_EN ADA21700AZ802_EN ADA21700AZ802_1	AAA21700AZ802_ANSI ADA21700AZ802_ANSI ADA21700AZ802_2	AAA21700AZ802_JIS ADA21700AZ802_JIS ADA21700AZ802_3				2	See Note 1
	AAA21700AZ803_EN ADA21700AZ803_EN ADA21700AZ803_1	AAA21700AZ803_ANSI ADA21700AZ803_ANSI ADA21700AZ803_2	AAA21700AZ803_JIS ADA21700AZ803_JIS ADA21700AZ803_3		3	See Note 2		
	AAA21700AZ804_EN ADA21700AZ804_EN ADA21700AZ804_1	AAA21700AZ804_ANSI ADA21700AZ804_ANSI ADA21700AZ804_2	AAA21700AZ804_JIS ADA21700AZ804_JIS ADA21700AZ804_3		4			
	AAA21700AZ805_EN ADA21700AZ805_EN ADA21700AZ805_1	AAA21700AZ805_ANSI ADA21700AZ805_ANSI ADA21700AZ805_2	AAA21700AZ805_JIS ADA21700AZ805_JIS ADA21700AZ805_3		5			
	AAA21700AZ806_EN ADA21700AZ806_EN ADA21700AZ806_1	AAA21700AZ806_ANSI ADA21700AZ806_ANSI ADA21700AZ806_2	AAA21700AZ806_JIS ADA21700AZ806_JIS ADA21700AZ806_3		6			
	AAA21700AZ807_EN ADA21700AZ807_EN ADA21700AZ807_1	AAA21700AZ807_ANSI ADA21700AZ807_ANSI ADA21700AZ807_2	AAA21700AZ807_JIS ADA21700AZ807_JIS ADA21700AZ807_3		7			
	AAA21700AZ808_EN ADA21700AZ808_EN ADA21700AZ808_1	AAA21700AZ808_ANSI ADA21700AZ808_ANSI ADA21700AZ808_2	AAA21700AZ808_JIS ADA21700AZ808_JIS ADA21700AZ808_3		8			

(Continued on Next Page)

CAN Monitor Assembly

10-AAA21700AZ

REF. No.	EN PART No.	ANSI PART No.	JIS PART No.	Installation Type	Temp Sensor Location	CSB Rating	No. CSB	Notes
1	AAA21700AZ812_EN ADA21700AZ812_EN ADA21700AZ812_1	AAA21700AZ812_ANSI ADA21700AZ812_ANSI ADA21700AZ812_2	AAA21700AZ812_JIS ADA21700AZ812_JIS ADA21700AZ812_3	New Equipment	External	86 kN	2	See Note 1
	AAA21700AZ813_EN ADA21700AZ813_EN ADA21700AZ813_1	AAA21700AZ813_ANSI ADA21700AZ813_ANSI ADA21700AZ813_2	AAA21700AZ813_JIS ADA21700AZ813_JIS ADA21700AZ813_3				3	See Note 2
	AAA21700AZ814_EN ADA21700AZ814_EN ADA21700AZ814_1	AAA21700AZ814_ANSI ADA21700AZ814_ANSI ADA21700AZ814_2	AAA21700AZ814_JIS ADA21700AZ814_JIS ADA21700AZ814_3				4	
	AAA21700AZ815_EN ADA21700AZ815_EN ADA21700AZ815_1	AAA21700AZ815_ANSI ADA21700AZ815_ANSI ADA21700AZ815_2	AAA21700AZ815_JIS ADA21700AZ815_JIS ADA21700AZ815_3				5	
	AAA21700AZ816_EN ADA21700AZ816_EN ADA21700AZ816_1	AAA21700AZ816_ANSI ADA21700AZ816_ANSI ADA21700AZ816_2	AAA21700AZ816_JIS ADA21700AZ816_JIS ADA21700AZ816_3				6	
	AAA21700AZ817_EN ADA21700AZ817_EN ADA21700AZ817_1	AAA21700AZ817_ANSI ADA21700AZ817_ANSI ADA21700AZ817_2	AAA21700AZ817_JIS ADA21700AZ817_JIS ADA21700AZ817_3				7	
	AAA21700AZ818_EN ADA21700AZ818_EN ADA21700AZ818_1	AAA21700AZ818_ANSI ADA21700AZ818_ANSI ADA21700AZ818_2	AAA21700AZ818_JIS ADA21700AZ818_JIS ADA21700AZ818_3				8	
	ADA21700AZ823_1	ADA21700AZ823_6	ADA21700AZ823_3				3	See Note 3, 4
	ADA21700AZ824_1	ADA21700AZ824_6	ADA21700AZ824_3		4			
	ADA21700AZ825_1	ADA21700AZ825_6	ADA21700AZ825_3		5			
	ADA21700AZ833_1	ADA21700AZ833_6	ADA21700AZ833_3		3		External	
	ADA21700AZ834_1	ADA21700AZ834_6	ADA21700AZ834_3		4			
	ADA21700AZ835_1	ADA21700AZ835_6	ADA21700AZ835_3		5			

Note 1: No LRU can be replaced on this version of the CAN RBI due to SIL Certification requirements. The entire unit must be replaced.

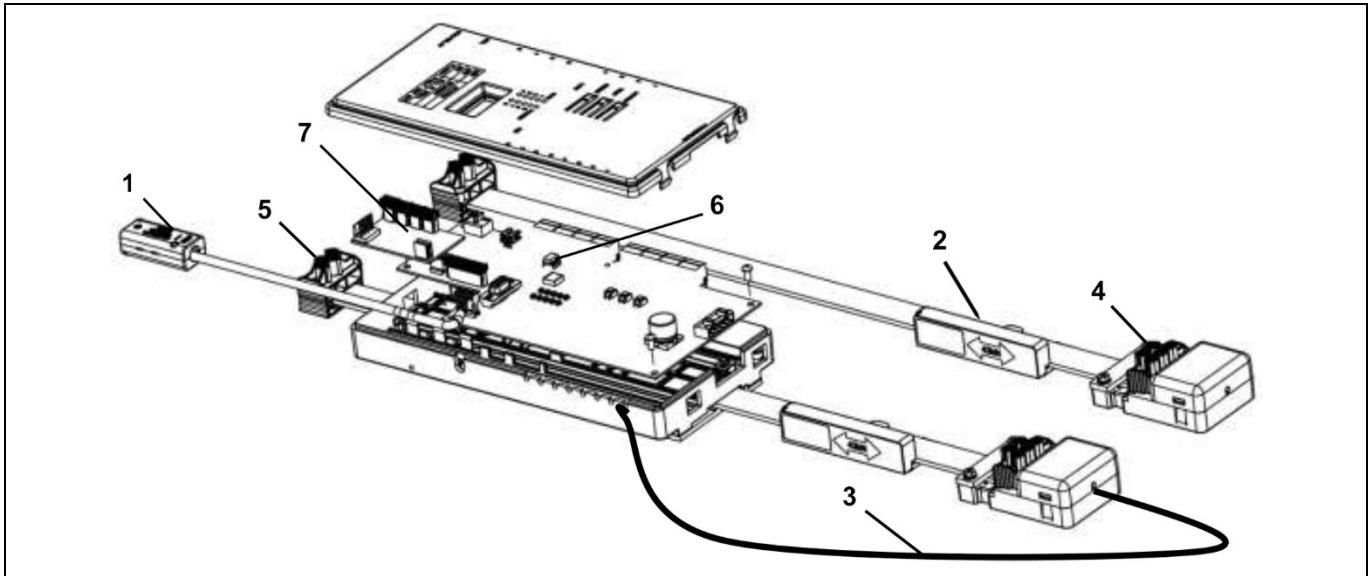
Note 2: Load Weighing Wire Length = 750 mm

Note 3: Load Weighing Wire Length = 1500 mm

Note 4: Belt Connector Harness Length = 1500 mm

CAN Monitor: Retrofit

10-AAA21700AZ

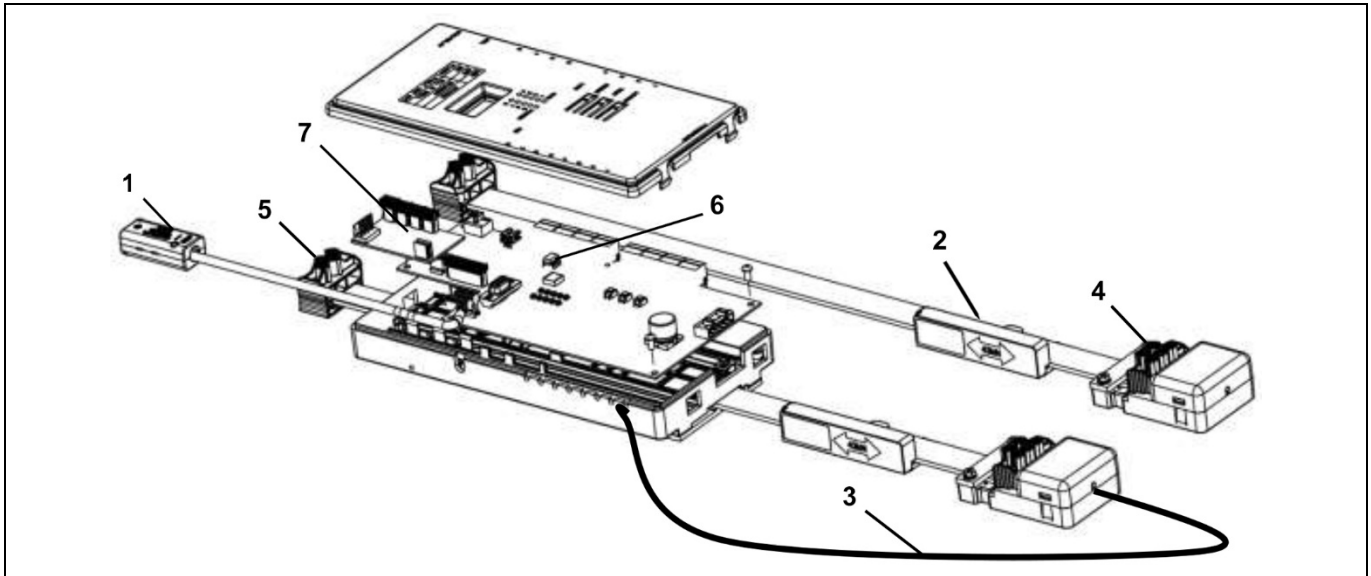


REF. No.	PART No.	DESCRIPTION	APPLICATION	REMARKS
1	AAA21600CB1	Assembly, Remote Temperature Sensor	A__319 A__21700AZ412-419 A__21700AZ512-519 A__21700AZ812-819 Axx21700AZx1x_x Axx21700AZx3x_x Excludes: Axx21700AZx12_x Axx21700AZx32_x	34 kN Belt 43 kN Belt 86 kN Belt
2	AAA21600LV1	Assembly, Load Weighing Transducer	Axx21700AZ3xx_x Excludes: Axx21700AZ3x2_x	750 mm sensor cable length 34 kN Belt
	AAA21600LV2		Axx21700AZ4xx_x Excludes: Axx21700AZ4x2_x	750 mm sensor cable length 43 kN Belt
	AAA21600LV4		Axx21700AZ80x_x Axx21700AZ81x_x Excludes: Axx21700AZ802_x Axx21700AZ812_x	750 mm sensor cable length 86 kN Belt
	AAA21600LV5		Axx21700AZ423_x Axx21700AZ424_x	1500 mm sensor cable length 43 kN Belt
	AAA21600LV8		Axx21700AZ82x_x Axx21700AZ83x_x Excludes: Axx21700AZ822_x Axx21700AZ832_x	1500 mm sensor cable length 86 kN Belt

(Continued on Next Page)

CAN Monitor: Retrofit

10-AAA21700AZ

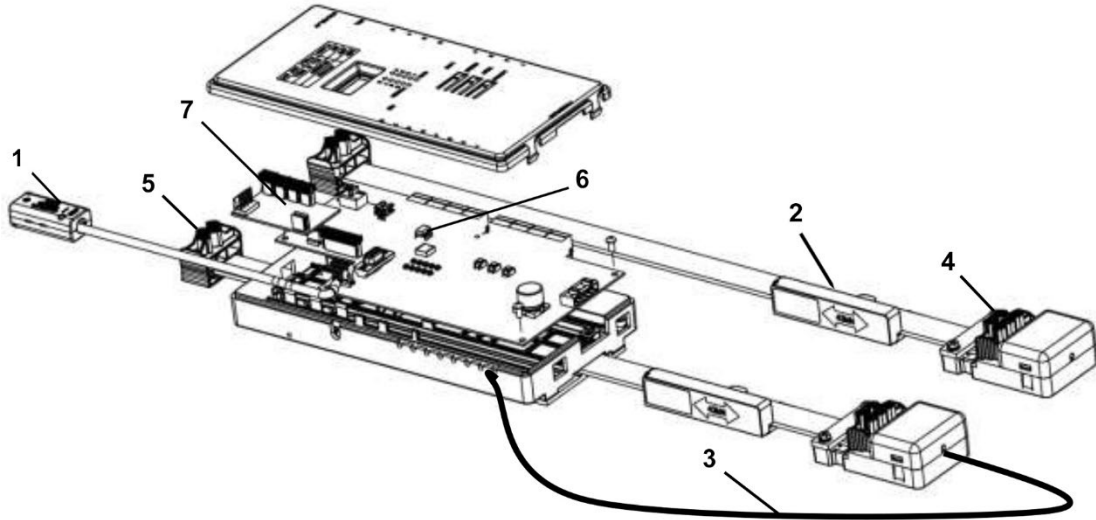


REF. No.	PART No.	DESCRIPTION	APPLICATION	REMARKS
3	AAA21600AH1 AAA21600LH1	750 mm Belt Connector Cable	A_21700AZxxx Axx21700AZxxx_x Excludes: Axx21700AZxx2_x Axx21700AZxxx_6	34 kN Belt 43 kN Belt 86 kN Belt
3	AAA21600LH2	1500 mm Belt Connector Cable	Axx21700AZ423_6 Axx21700AZ424_6 Axx21700AZ823_6 Axx21700AZ824_6 Axx21700AZ825_6 Axx21700AZ833_6 Axx21700AZ834_6 Axx21700AZ835_6	43 kN Belt 86 kN Belt
4	AAA649J1	Clamp, Monitor	34kN CSB— AAA717AJ1 Axx21700AZ3xx_x Excludes: Axx21700AZ3x2_x	34 kN Belt
	AAA649J2		43kN CSB— AAA717AJ2, AAA717AM2, AAA717AP2 Axx21700AZ4xx_x Excludes: Axx21700AZ4x2_x	43 kN Belt
	AAA649J3		52kN CSB— AAA717AP4	86 kN Belt
	AAA649J4		86kN CSB— AAA717AJ5 Axx21700AZ8xx_x Excludes: Axx21700AZ8x2_x	

(Continued on Next Page)

CAN Monitor: Retrofit

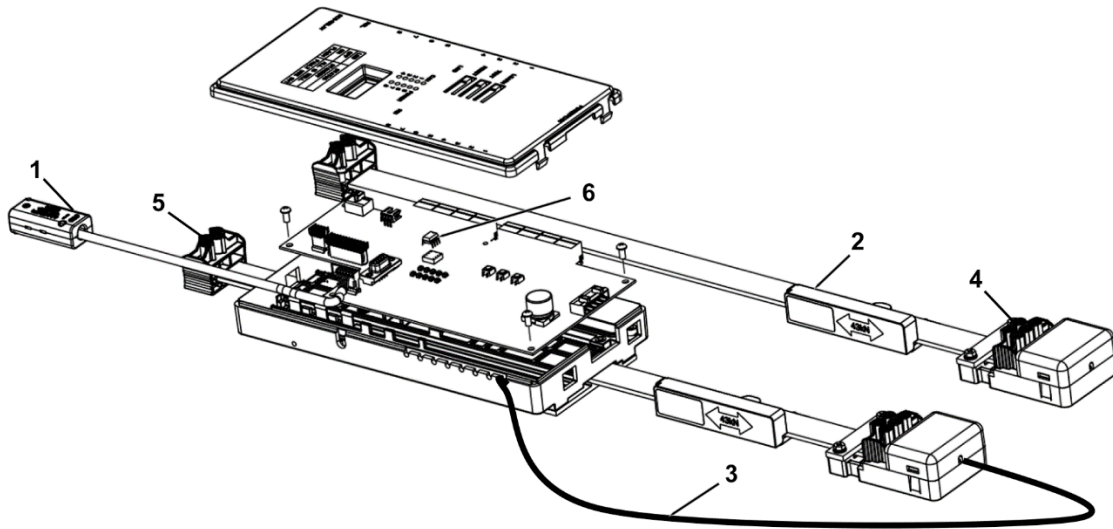
10-AAA21700AZ



REF. No.	PART No.	DESCRIPTION	APPLICATION	REMARKS
5	AAA649J11	Clamp, Shorting	34kN CSB—AAA717AJ1 Axx21700AZ3xx_x Excludes: Axx21700AZ3x2_x	34 kN Belt
	AAA649J12		43kN CSB—AAA717AJ2, AAA717AM2, AAA717AP2 Axx21700AZ4xx_x Excludes: Axx21700AZ4x2_x	43 kN Belt
	AAA649J13		52kN CSB—AAA717AP4	86 kN Belt
	AAA649J14		86kN CSB—AAA717AJ5 Axx21700AZ8xx_x Excludes: Axx21700AZ8x2_x	
6	AAA616NL16 AAA616NL34	EEPROM	A_21700AZ Axx21700AZxxx_x	EEPROM, blank 34 kN, 43 kN, 86 kN
7	GDA25005B1	RS-14 Board	A_21700AZ319 A_21700AZ419 A_21700AZ519 A_21700AZ819 Axx21700AZ8xx_x	86 kN Belt NAA Only

CAN Monitor: New Equipment

10-AAA21700AZ

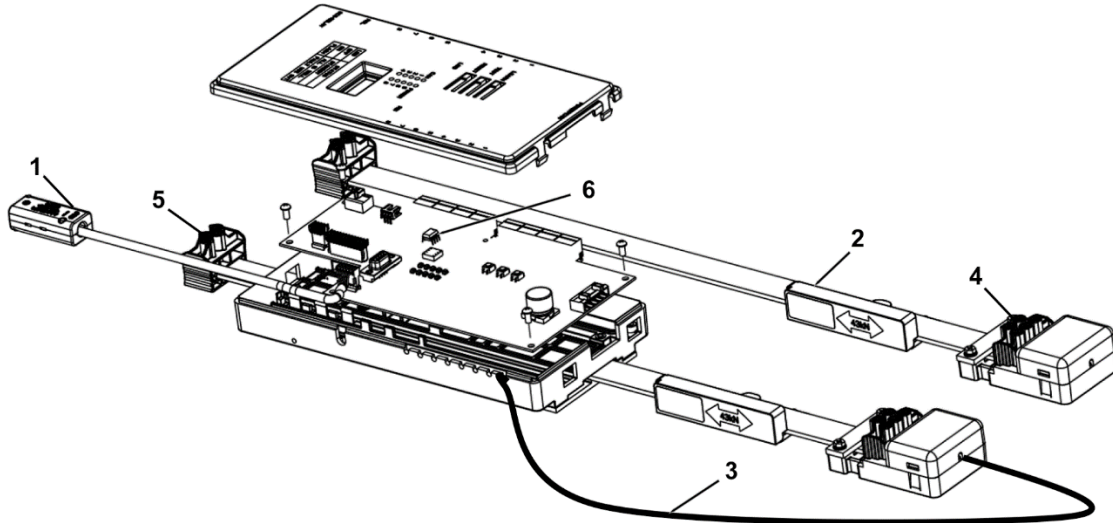


REF. No.	PART No.	DESCRIPTION	APPLICATION	REMARKS
1	AAA21600CB1	Assembly, Remote Temperature Sensor	A___319 A__21700AZ412__419 A__21700AZ512__519 A__21700AZ812__819 Axx21700AZx1x_x Axx21700AZx3x_x	34 kN Belt 43 kN Belt 86 kN Belt
2	AAA21600LV1	Assembly, Load Weighing Transducer	Axx21700AZ3xx_x Excludes: Axx21700AZ3x2_x	750 mm Sensor Cable Length 34 kN Belt
	AAA21600LV2		Axx21700AZ4xx_x Excludes: Axx21700AZ4x2_x	750 mm Sensor Cable Length 43 kN Belt
	AAA21600LV4		Axx21700AZ80x_x Axx21700AZ81x_x Excludes: Axx21700AZ802_x Axx21700AZ812_x	750 mm Sensor Cable Length 86 kN Belt
	AAA21600LV5		Axx21700AZ423_x Axx21700AZ424_x	1500 mm Sensor Cable Length 43 kN Belt
	AAA21600LV8		Axx21700AZ82x_x Axx21700AZ83x_x	1500 mm Sensor Cable Length 86 kN Belt
3	AAA21600AH1 AAA21600LH1	750 mm Cable, Belt Connector	A__21700AZxxx Axx21700AZxxx_x Excludes: Axx21700AZxxx_6	34 kN Belt 43 kN Belt 86 kN Belt
	AAA21600LH2	1500 mm Cable, Belt Connector	Axx21700AZ423_6 Axx21700AZ424_6 Axx21700AZ823_6 Axx21700AZ824_6 Axx21700AZ825_6 Axx21700AZ833_6 Axx21700AZ834_6 Axx21700AZ835_6	

(Continued on Next Page)

CAN Monitor: New Equipment

10-AAA21700AZ



REF. No.	PART No.	DESCRIPTION	APPLICATION	REMARKS
4	AAA649J1	Clamp, Monitor	34kN CSB — AAA717AJ1 Axx21700AZ3xx_x	34 kN Belt
	AAA649J2		43kN CSB — AAA717AJ2, AAA717AM2, AAA717AP2 Axx21700AZ4xx_x	43 kN Belt
	AAA649J3		52kN CSB — AAA717AP4	
	AAA649J4		86kN CSB — AAA717AJ5 Axx21700AZ8xx_x	86 kN Belt
5	AAA649J11	Clamp, Shorting	34kN CSB — AAA717AJ1 Axx21700AZ3xx_x	34 kN Belt
	AAA649J12		43kN CSB — AAA717AJ2, AAA717AM2, AAA717AP2 Axx21700AZ4xx_x	43 kN Belt
	AAA649J13		52kN CSB — AAA717AP4	
	AAA649J14		86kN CSB — AAA717AJ5 Axx21700AZ8xx_x	86 kN Belt
6	AAA616NL16 AAA616NL34	EEPROM	A__21700AZ Axx21700AZxxx_x	EEPROM, blank 34 kN, 43 kN, 86 kN