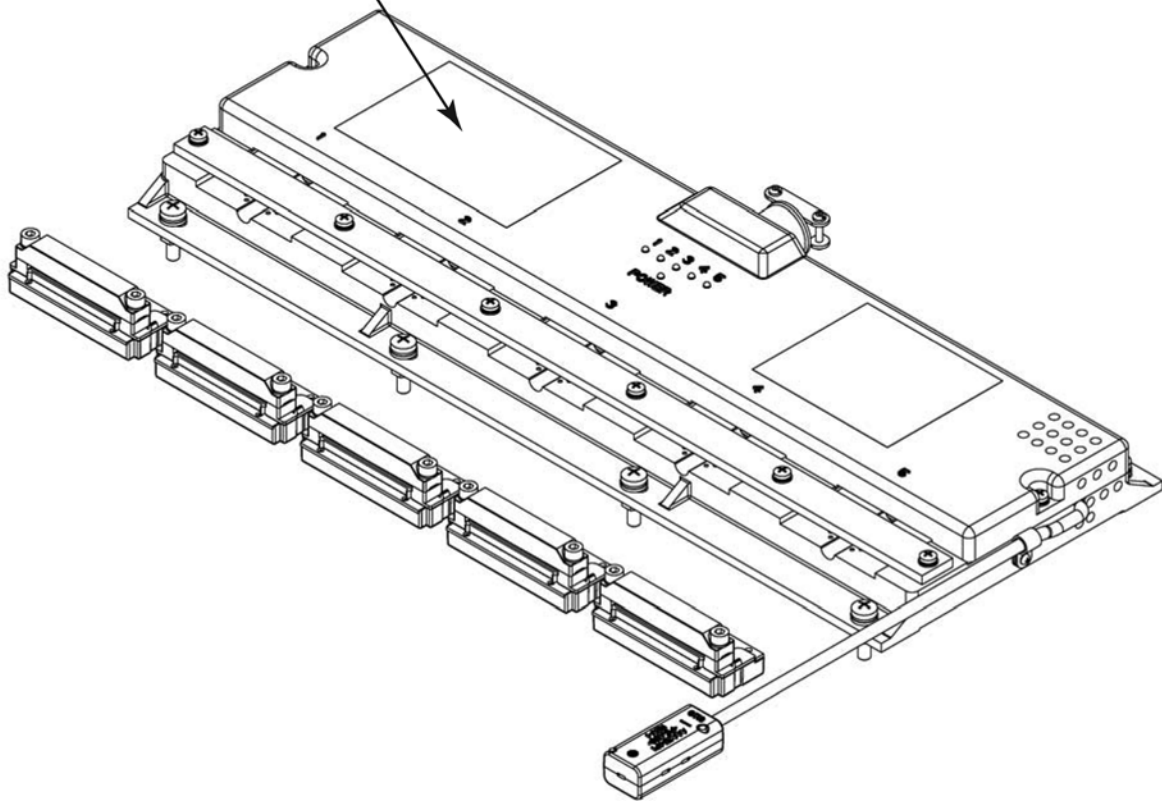
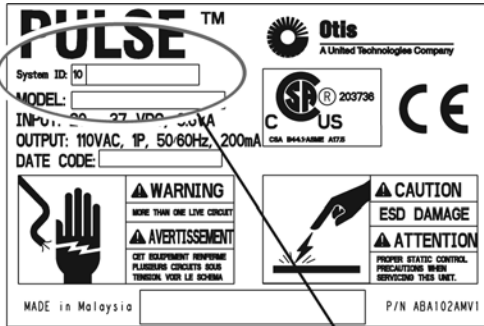


CSB Monitor (RBI) for 32 kN and 64 kN CSBs

Spare Parts Leaflet 10-AAA21700X

April 30, 2014 / Page 1 of 17



OTIS

SERVICE ENGINEERING
Otis Elevator Company
Bloomfield, Connecticut USA

Unpublished Work—© Otis Elevator Co.; 2014

Leaflet Description

This leaflet details Gen2 model used for coated steel belt (CSB) inspection. This revision contains CSB monitor parts for both new equipment and retrofit applications.

New equipment application units: CSB monitor unit designed for new equipment contains the CSB connectors mounted inside the unit. The belts are brought inside the unit to connect to the measurement circuit.

Retrofit application units: CSB monitor designed for retrofit application has these CSB connectors brought out of the unit using ribbon cables. The reason for this is that the legacy elevator units in most cases do not have long enough belts to bring up to the CSB monitor. New equipment version can be used in retrofit application if the belts beyond termination are at least 0.5 meter and they can reach the monitor unit where it will be mounted.

Leaflet Revisions

Date Revised	Subject Matter Expert	Reason for Revision
October 25, 2005	Pankaj Kothari	Changed document ID from 10-ABA21700X (dated April 30, 2004) to 10-AAA21700X; Updated parts and illustrations; defined the new equipment and retrofit applications.
March 18, 2011	Peter Keyo	Updated part numbers, added note about fire clips
June 17, 2011	Peter Keyo	Added machine room arrangements with remote temperature sensor
February 6, 2013	Peter Keyo	Updated PCBA part numbers
April 30, 2014	Ali Bozorgzadeh	Re-arranged content to facilitate use.

Related Drawings

Drawing No.	Title	Drawing No.	Title
ABE21700X	CSB Monitor	ABA102AMV	Plate, Data, CSB Monitor
AAC21700AC	CSB Monitor		

Related Documents

Document ID	Title
SPL 11-TAA20650F	<i>Termination for GeN2 32 kN 30 mm CSB</i>
TIP 11.4-1	<i>Pulse Diagnostics: Corrective Instruction WW-09-002</i>
TIP 11.4-7	<i>CSB Monitoring (Pulse) Board, Shorting Bar Replacement Process</i>

Subject Matter Expert

Name	Department
Peter Liaskas	OECF, Farmington

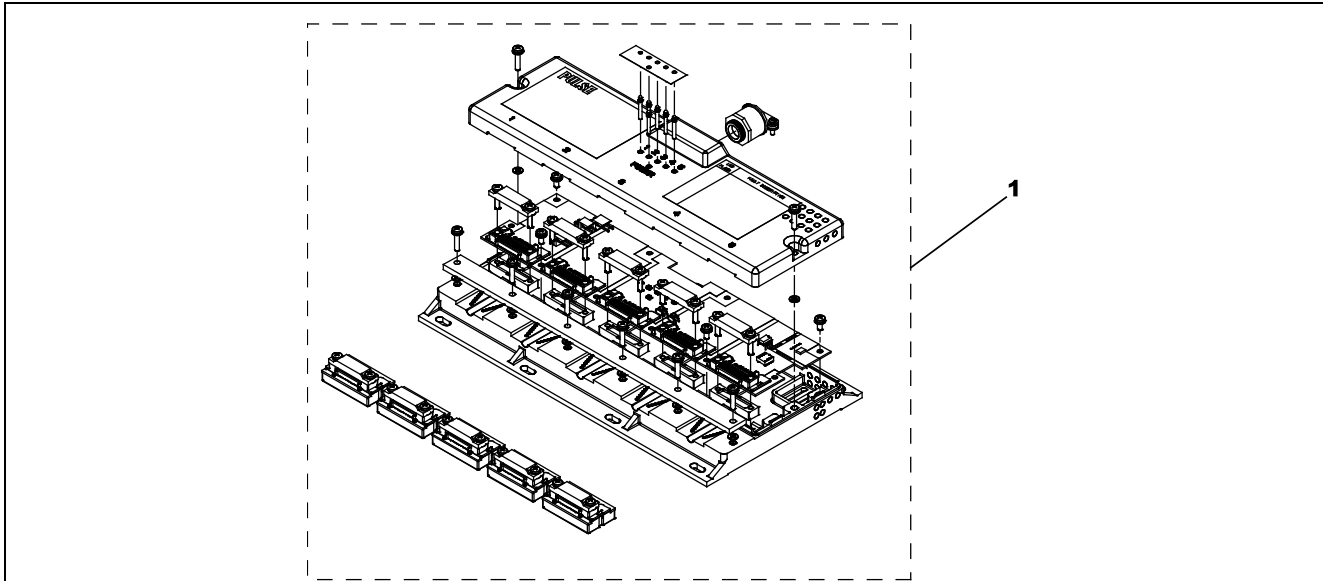
This document lists the lowest replaceable units (LRUs) for the standard version of the product. The LRUs are chosen by a team of Otis associates representing engineering and manufacturing.

While goal of this document is to make parts identification as easy as possible, the document cannot be all-inclusive. Elevator and escalator contracts classified as "special" or "custom" are not addressed here. For such contracts, please refer to specified information, the contract folder, TIPs, Field Education Articles, Construction Letters, etc. for further information.

If you have any suggestions about this document, please contact the subject matter expert listed on this page.

CSB Monitor Assembly: New Equipment Application

10-AAA21700X

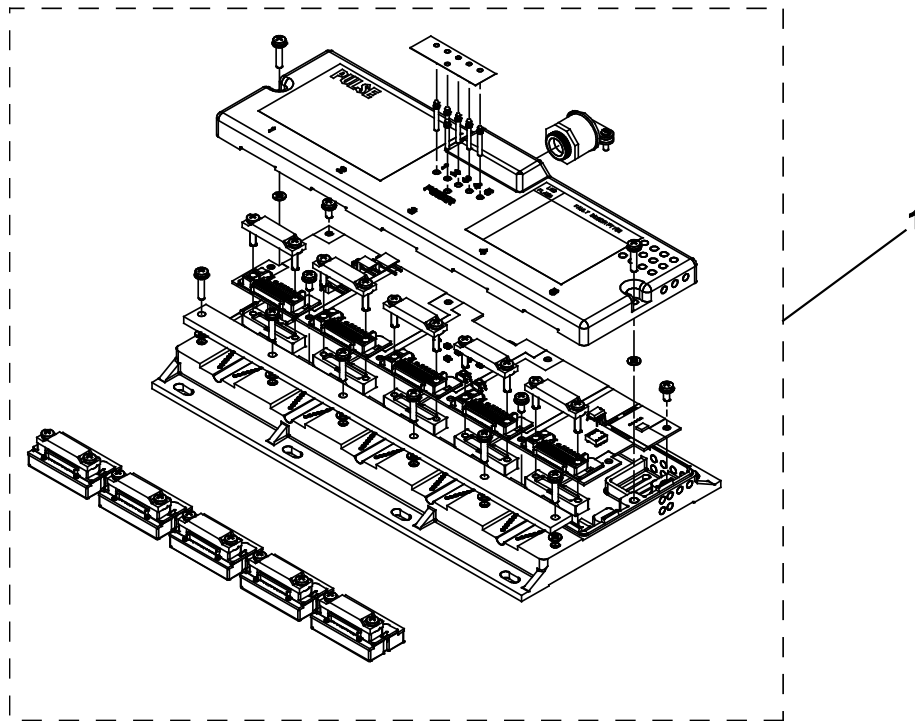


NOTE: When ordering a CSB monitor assembly, it is important to specify the model for the correct number of belts. Incorrectly specified assemblies will not be able to successfully learn the belts. Example: When ordering a CSB monitor assembly for a 3-belt installation, do not order a 5-belt assembly and only use three belt locations.

REF. No.	PART No.			DESCRIPTION
	EN81 CODE	ANSI CODE	JIS CODE	
1	AAA21700X17 ABA21700X17 ABB21700X17 ABC21700X17 ABD21700X17 ABE21700X17	---	---	Kit, CSB Monitor and Shorting Connectors, for 32 kN (30 mm) 2-Belt System
	AAA21700X1 ABA21700X1 ABB21700X1 ABC21700X1 ABD21700X1 ABE21700X1	AAA21700X104 ABA21700X104 ABB21700X104 ABC21700X104 ABD21700X104 ABE21700X104	AAA21700X201 ABA21700X201 ABB21700X201 ABC21700X201 ABD21700X201 ABE21700X201	Kit, CSB Monitor and Shorting Connectors, for 32 kN (30 mm) 3-Belt System
	AAA21700X2 ABA21700X2 ABB21700X2 ABC21700X2 ABD21700X2 ABE21700X2	AAA21700X102 ABA21700X102 ABB21700X102 ABC21700X102 ABD21700X102 ABE21700X102	AAA21700X202 ABA21700X202 ABB21700X202 ABC21700X202 ABD21700X202 ABE21700X202	Kit, CSB Monitor and Shorting Connectors, for 32 kN (30 mm) 4-Belt System
	AAA21700X3 ABA21700X3 ABB21700X3 ABC21700X3 ABD21700X3 ABE21700X3	AAA21700X103 ABA21700X103 ABB21700X103 ABC21700X103 ABD21700X103 ABE21700X103	AAA21700X203 ABA21700X203 ABB21700X203 ABC21700X203 ABD21700X203 ABE21700X203	Kit, CSB Monitor and Shorting Connectors, for 32 kN (30 mm) 5-Belt System

(Continued on Next Page)

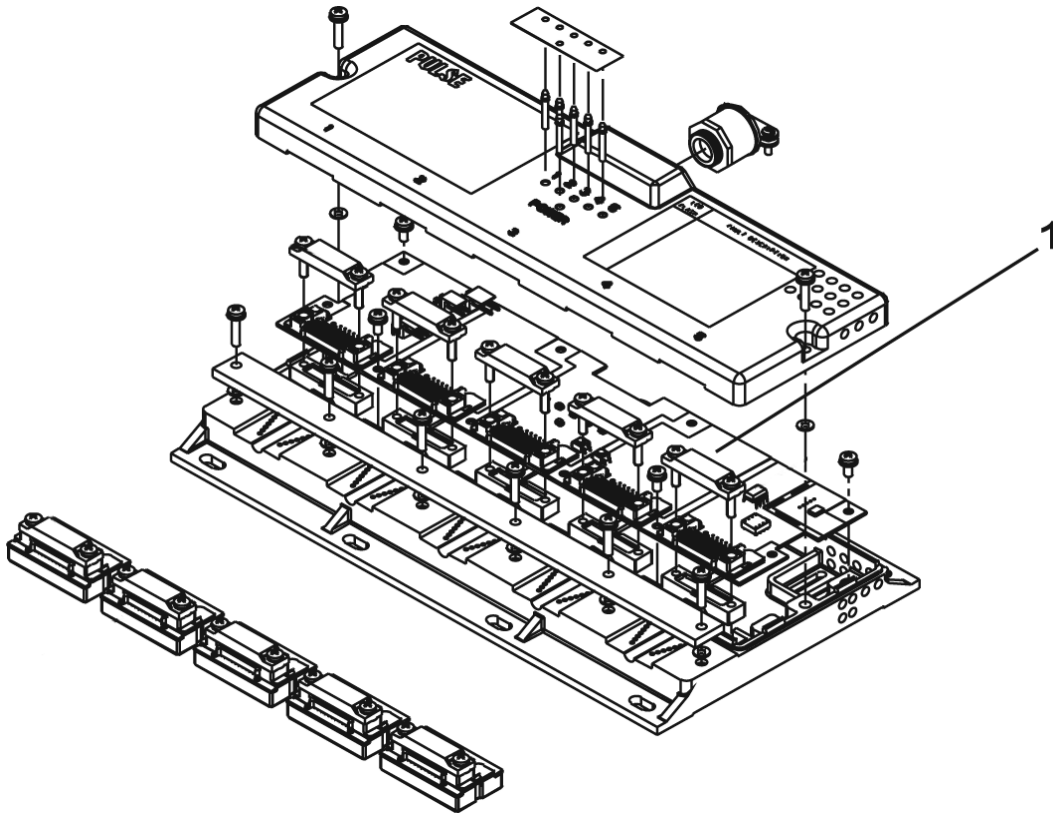
CSB Monitor Assembly: New Equipment Application



REF. No.	PART No.			DESCRIPTION
	EN81 CODE	ANSI CODE	JIS CODE	
1	AAA21700X7	AAA21700X107	AAA21700X207	Kit, CSB Monitor and Shorting Connectors, for 64 kN (60 mm) 3-Belt System
	ABA21700X7	ABA21700X107	ABA21700X207	
	ABB21700X7	ABB21700X107	ABB21700X207	
	ABC21700X7	ABC21700X107	ABC21700X207	
	ABD21700X7	ABD21700X107	ABD21700X207	
	ABE21700X7	ABE21700X107	ABE21700X207	
	AAA21700X8	AAA21700X108	AAA21700X208	Kit, CSB Monitor and Shorting Connectors, for 64 kN (60 mm) 4-Belt System
	ABA21700X8	ABA21700X108	ABA21700X208	
	ABB21700X8	ABB21700X108	ABB21700X208	
	ABC21700X8	ABC21700X108	ABC21700X208	
	ABD21700X8	ABD21700X108	ABD21700X208	
	ABE21700X8	ABE21700X108	ABE21700X208	
	AAA21700X9	AAA21700X109	AAA21700X209	Kit, CSB Monitor and Shorting Connectors, for 64 kN (60 mm) 5-Belt System
	ABA21700X9	ABA21700X109	ABA21700X209	
	ABB21700X9	ABB21700X109	ABB21700X209	
	ABC21700X9	ABC21700X109	ABC21700X209	
	ABD21700X9	ABD21700X109	ABD21700X209	
	ABE21700X9	ABE21700X109	ABE21700X209	

CSB Board and Connectors, New Equipment Application

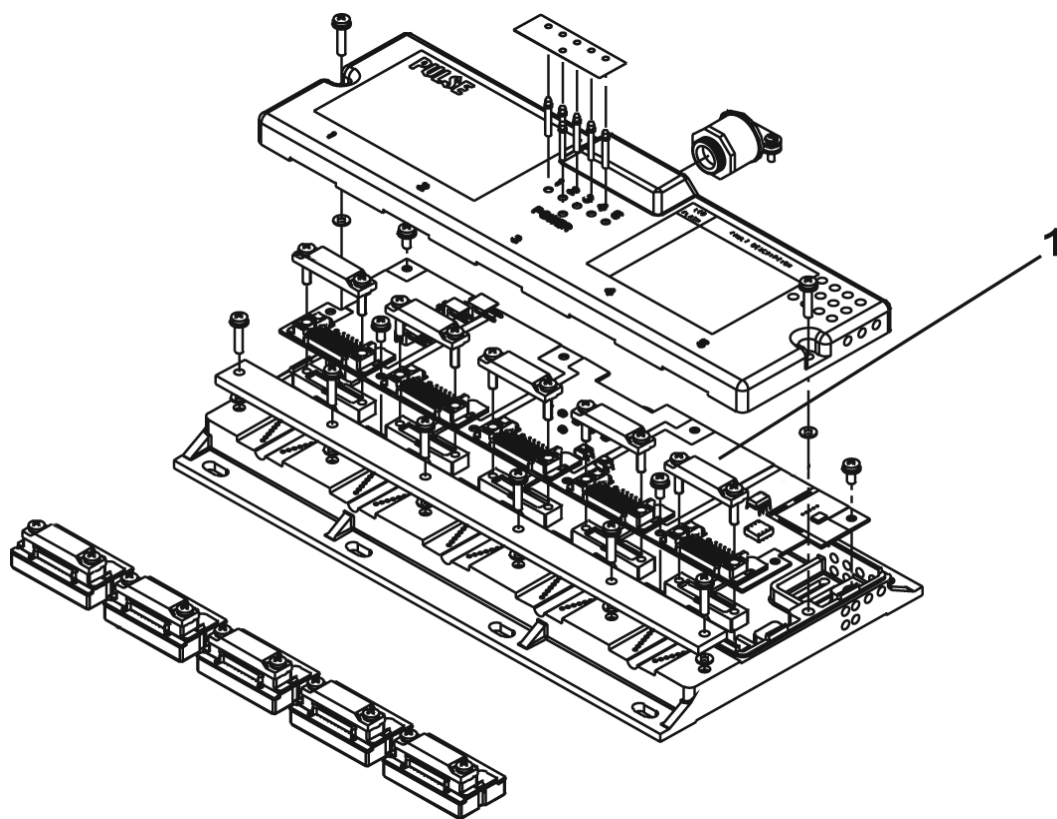
10-AAA21700X



REF. No.	PART No.			DESCRIPTION
	EN81 CODE	ANSI CODE	JIS CODE	
1	AAA26800AKW7 ABA26800AKW7 ACA26800AKW7 ADA26800AKW7	---	---	CSB Board, for 32 kN (30 mm), 2-Belt System
	AAA26800AKW1 ABA26800AKW1 ACA26800AKW1 ADA26800AKW1	AAA26800AKW101 ABA26800AKW101 ACA26800AKW101 ADA26800AKW101	AAA26800AKW201 ABA26800AKW201 ACA26800AKW201 ADA26800AKW201	CSB Board, for 32kN (30 mm), 3-Belt System
	AAA26800AKW2 ABA26800AKW2 ACA26800AKW2 ADA26800AKW2	AAA26800AKW102 ABA26800AKW102 ACA26800AKW102 ADA26800AKW102	AAA26800AKW202 ABA26800AKW202 ACA26800AKW202 ADA26800AKW202	CSB Board, for 32 kN (30 mm), 4-Belt System
	AAA26800AKW3 ABA26800AKW3 ACA26800AKW3 ADA26800AKW3	AAA26800AKW103 ABA26800AKW103 ACA26800AKW103 ADA26800AKW103	AAA26800AKW203 ABA26800AKW203 ACA26800AKW203 ADA26800AKW203	CSB Board, for 32 kN (30 mm), 5-Belt System

(Continued on Next Page)

CSB Board and Connectors, New Equipment Application

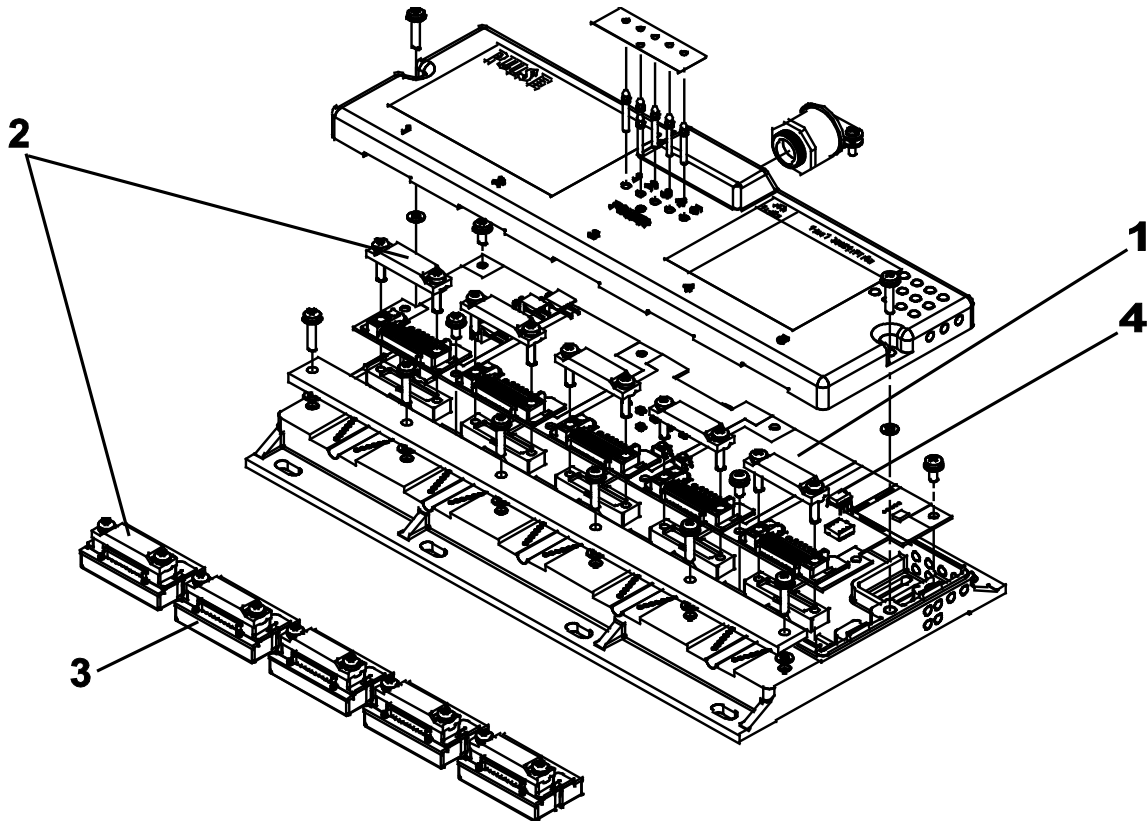


REF. No.	PART No.			DESCRIPTION
	EN81 CODE	ANSI CODE	JIS CODE	
1	AAA26800AKX1	AAA26800AKX101	AAA26800AKX201	CSB Board, for 64 kN (60 mm), 3-Belt System
	ABA26800AKX1	ABA26800AKX101	ABA26800AKX201	
	ACA26800AKX1	ACA26800AKX101	ACA26800AKX201	
	ADA26800AKX1	ADA26800AKX101	ADA26800AKX201	
	AEA26800AKX1	AEA26800AKX101	AEA26800AKX201	
	AFA26800AKX1	AFA26800AKX101	AFA26800AKX201	
	AAA26800AKX2	AAA26800AKX102	AAA26800AKX202	CSB Board, for 64 kN (60 mm), 4-Belt System
	ABA26800AKX2	ABA26800AKX102	ABA26800AKX202	
	ACA26800AKX2	ACA26800AKX102	ACA26800AKX202	
	ADA26800AKX2	ADA26800AKX102	ADA26800AKX202	
	AEA26800AKX2	AEA26800AKX102	AEA26800AKX202	
	AFA26800AKX2	AFA26800AKX102	AFA26800AKX202	
	AAA26800AKX3	AAA26800AKX103	AAA26800AKX203	CSB Board, for 64 kN (60 mm), 5-Belt System
	ABA26800AKX3	ABA26800AKX103	ABA26800AKX203	
	ACA26800AKX3	ACA26800AKX103	ACA26800AKX203	
	ADA26800AKX3	ADA26800AKX103	ADA26800AKX203	
	AEA26800AKX3	AEA26800AKX103	AEA26800AKX203	
	AFA26800AKX3	AFA26800AKX103	AFA26800AKX203	

(Continued on Next Page)

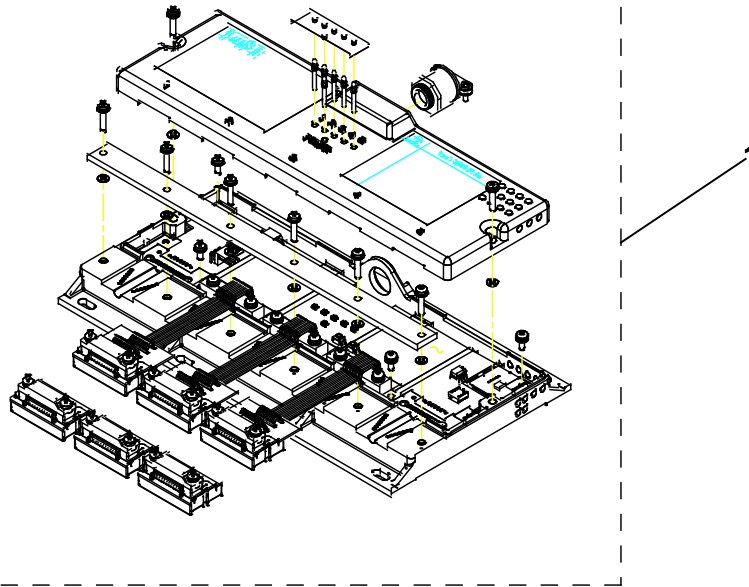
CSB Board and Connectors, New Equipment Application

10-AAA21700X



REF. No.	PART No.			DESCRIPTION
	EN81 CODE	ANSI CODE	JIS CODE	
2		AAA336PF1 ABA336PF1		Clamp, Used with 32 kN (30 mm) Connector
		AAA336PF2 ABA336PF2		Clamp, Used with 64 kN (60 mm) Connector
3		AAA21700Y1 ABA21700Y9		Connector, Shorting, CSB, Used w/ 32 kN (30 mm) Belt
		AAA21700Y2 ABA21700Y2		Connector, Shorting, CSB, Used w/ 64 kN (60 mm) Belt
4		AAA616NL16		EEPROM, Blank

CSB Monitor Assembly: Retrofit Application



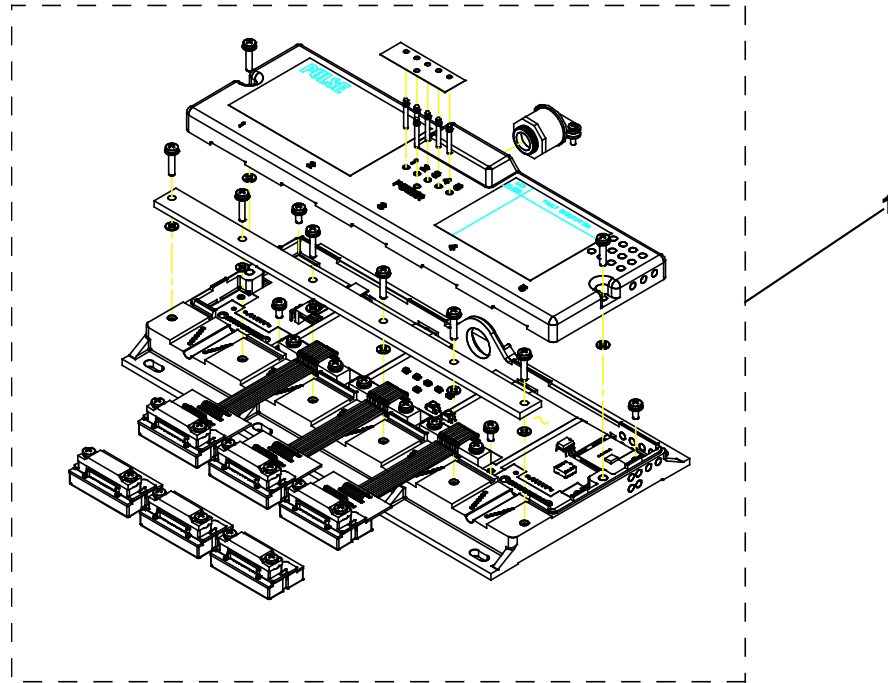
NOTE: If the belt end does not reach the CSB monitor, a retrofit assembly can be used. Retrofit assemblies have external belt connectors connected to the board by ribbon cables.

PART No.				
REF. No.	EN81 CODE	ANSI CODE	JIS CODE	DESCRIPTION
1	---	---	AAA21700X221 ABA21700X221 ABB21700X221 ABC21700X221 ABD21700X221 ABE21700X221	Kit, CSB Monitor and Shorting Connectors, for 32 kN (30 mm) 2-Belt System
	AAA21700X4 ABA21700X4 ABB21700X4 ABC21700X4 ABD21700X4 ABE21700X4	AAA21700X104 ABA21700X104 ABB21700X104 ABC21700X104 ABD21700X104 ABE21700X104	AAA21700X204 ABA21700X204 ABB21700X204 ABC21700X204 ABD21700X204 ABE21700X204	Kit, CSB Monitor and Shorting Connectors, for 32 kN (30 mm) 3-Belt System
	AAA21700X5 ABA21700X5 ABB21700X5 ABC21700X5 ABD21700X5 ABE21700X5	AAA21700X105 ABA21700X105 ABB21700X105 ABC21700X105 ABD21700X105 ABE21700X105	AAA21700X205 ABA21700X205 ABB21700X205 ABC21700X205 ABD21700X205 ABE21700X205	Kit, CSB Monitor and Shorting Connectors, for 32 kN (30 mm) 4-Belt System
	AAA21700X6 ABA21700X6 ABB21700X6 ABC21700X6 ABD21700X6 ABE21700X6	AAA21700X106 ABA21700X106 ABB21700X106 ABC21700X106 ABD21700X106 ABE21700X106	AAA21700X206 ABA21700X206 ABB21700X206 ABC21700X206 ABD21700X206 ABE21700X206	Kit, CSB Monitor and Shorting Connectors, for 32 kN (30 mm) 5-Belt System

(Continued on Next Page)

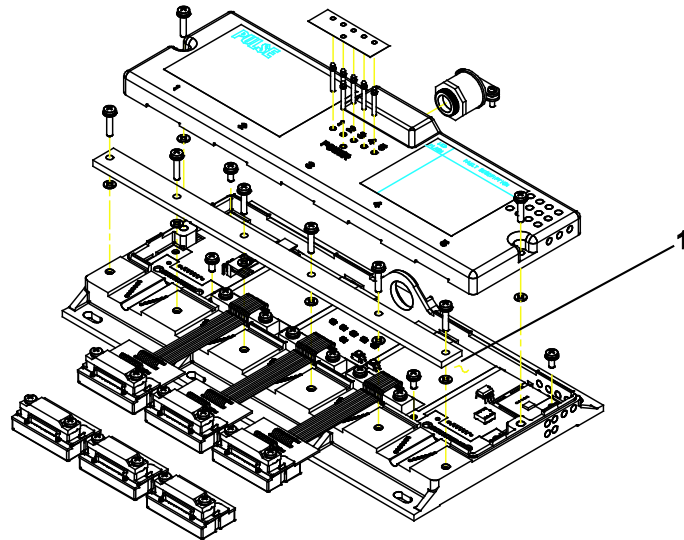
CSB Monitor Assembly: Retrofit Application

10-AAA21700X



REF. No.	PART No.			DESCRIPTION
	EN81 CODE	ANSI CODE	JIS CODE	
1	AAA21700X18	AAA21700X118	AAA21700X218	Kit, CSB Monitor and Shorting Connectors, for 64 kN (60 mm) 3-Belt System
	ABA21700X18	ABA21700X118	ABA21700X218	
	ABB21700X18	ABB21700X118	ABB21700X218	
	ABC21700X18	ABC21700X118	ABC21700X218	
	ABD21700X18	ABD21700X118	ABD21700X218	
	ABE21700X18	ABE21700X118	ABE21700X218	
	AAA21700X19	AAA21700X119	AAA21700X219	Kit, CSB Monitor and Shorting Connectors, for 64 kN (60 mm) 4-Belt System
	ABA21700X19	ABA21700X119	ABA21700X219	
	ABB21700X19	ABB21700X119	ABB21700X219	
	ABC21700X19	ABC21700X119	ABC21700X219	
	ABD21700X19	ABD21700X119	ABD21700X219	
	ABE21700X19	ABE21700X119	ABE21700X219	
	AAA21700X20	AAA21700X120	AAA21700X220	Kit, CSB Monitor and Shorting Connectors, for 64 kN (60 mm) 5-Belt System
	ABA21700X20	ABA21700X120	ABA21700X220	
	ABB21700X20	ABB21700X120	ABB21700X220	
	ABC21700X20	ABC21700X120	ABC21700X220	
	ABD21700X20	ABD21700X120	ABD21700X220	
	ABE21700X20	ABE21700X120	ABE21700X220	

CSB Board and Connectors, Retrofit Application

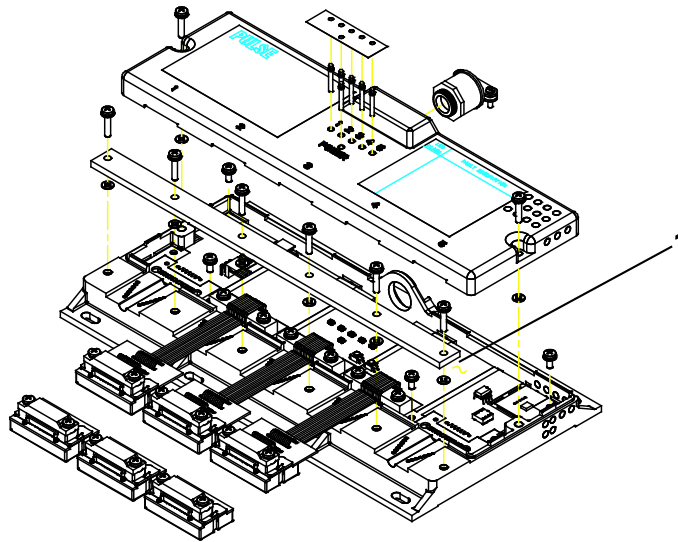


REF. No.	PART No.			DESCRIPTION
	EN81 CODE	ANSI CODE	JIS CODE	
1	---	---	AAA26800AKW208 ABA26800AKW208 ACA26800AKW208 ADA26800AKW208	CSB Board (CSB connectors permanently attached to board by ribbon cable), for 32 kN (30 mm) 2-Belt System
	AAA26800AKW4 ABA26800AKW4 ACA26800AKW4 ADA26800AKW4	AAA26800AKW104 ABA26800AKW104 ACA26800AKW104 ADA26800AKW104	AAA26800AKW204 ABA26800AKW204 ACA26800AKW204 ADA26800AKW204	CSB Board (CSB connectors permanently attached to board by ribbon cable), for 32 kN (30 mm) 3-Belt System
	AAA26800AKW5 ABA26800AKW5 ACA26800AKW5 ADA26800AKW5	AAA26800AKW105 ABA26800AKW105 ACA26800AKW105 ADA26800AKW105	AAA26800AKW205 ABA26800AKW205 ACA26800AKW205 ADA26800AKW205	CSB Board (CSB connectors permanently attached to board by ribbon cable), for 32 kN (30 mm) 4-Belt System
	AAA26800AKW6 ABA26800AKW6 ACA26800AKW6 ADA26800AKW6	AAA26800AKW106 ABA26800AKW106 ACA26800AKW106 ADA26800AKW106	AAA26800AKW206 ABA26800AKW206 ACA26800AKW206 ADA26800AKW206	CSB Board (CSB connectors permanently attached to board by ribbon cable), for 32 kN (30 mm) 5-Belt System

(Continued on Next Page)

CSB Board and Connectors, Retrofit Application

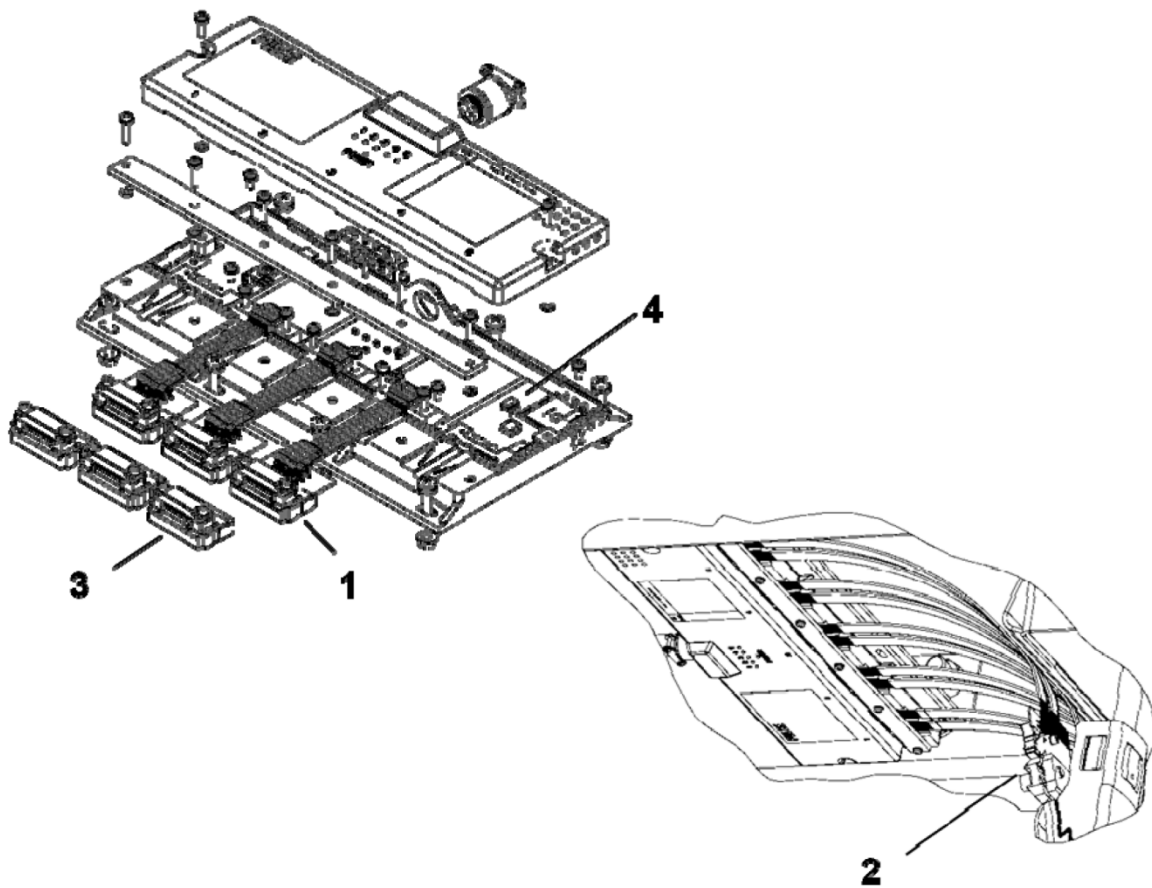
10-AAA21700X



REF. No.	PART No.			DESCRIPTION
	EN81 CODE	ANSI CODE	JIS CODE	
1	AAA26800AKX4	AAA26800AKX104	AAA26800AKX204	CSB Board (CSB connectors permanently attached to board by ribbon cable), for 64 kN (60 mm) 3-Belt System
	ABA26800AKX4	ABA26800AKX104	ABA26800AKX204	
	ACA26800AKX4	ACA26800AKX104	ACA26800AKX204	
	ADA26800AKX4	ADA26800AKX104	ADA26800AKX204	
	AEA26800AKX4	AEA26800AKX104	AEA26800AKX204	
	AFA26800AKX4	AFA26800AKX104	AFA26800AKX204	
	AAA26800AKX5	AAA26800AKX105	AAA26800AKX205	CSB Board (CSB connectors permanently attached to board by ribbon cable), for 64 kN (60 mm) 4-Belt System
	ABA26800AKX5	ABA26800AKX105	ABA26800AKX205	
	ACA26800AKX5	ACA26800AKX105	ACA26800AKX205	
	ADA26800AKX5	ADA26800AKX105	ADA26800AKX205	
	AEA26800AKX5	AEA26800AKX105	AEA26800AKX205	
	AFA26800AKX5	AFA26800AKX105	AFA26800AKX205	
	AAA26800AKX6	AAA26800AKX106	AAA26800AKX206	CSB Board (CSB connectors permanently attached to board by ribbon cable), for 64 kN (60 mm) 5-Belt System
	ABA26800AKX6	ABA26800AKX106	ABA26800AKX206	
	ACA26800AKX6	ACA26800AKX106	ACA26800AKX206	
	ADA26800AKX6	ADA26800AKX106	ADA26800AKX206	
	AEA26800AKX6	AEA26800AKX106	AEA26800AKX206	
	AFA26800AKX6	AFA26800AKX106	AFA26800AKX206	

(Continued on Next Page)

CSB Board and Connectors, Retrofit Application

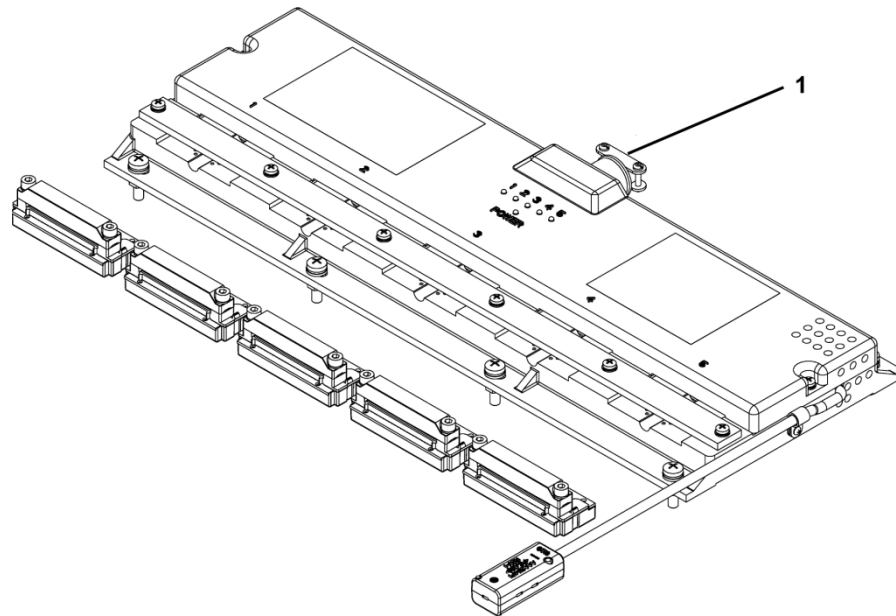


NOTE: If the length of the CSB extending beyond the termination is greater than 18 in., fire clips are not required. If the tail length is less than 18 in., fire clips are required. Only insulated fire clips should be used.

REF. No.	PART No.			DESCRIPTION
	EN81 CODE	ANSI CODE	JIS CODE	
1	---	AAA336PF1 ABA336PF1	---	Clamp, Used with 32 kN (30 mm) Connector
	---	AAA336PF2 ABA336PF2	---	Clamp, Used with 64 kN (60 mm) Connector
2	---	TAA27076EJ2	---	Clip, Insulated Fire, 32 kN (30 mm) Belt
	---	TAA27076EK2	---	Clip, Insulated Fire, 64 kN (60 mm) Belt
3	---	AAA21700Y1 ABA21700Y9	---	Connector, Shorting, CSB, Used w/ 32 kN (30 mm) Grooved Belt
	---	AAA21700Y2 ABA21700Y2	---	Connector, Shorting, CSB, Used w/ 64 kN (60 mm) Grooved Belt
4	---	AAA616NL16	---	EEPROM, Blank

CSB Monitor Assembly: Machine Room Applications

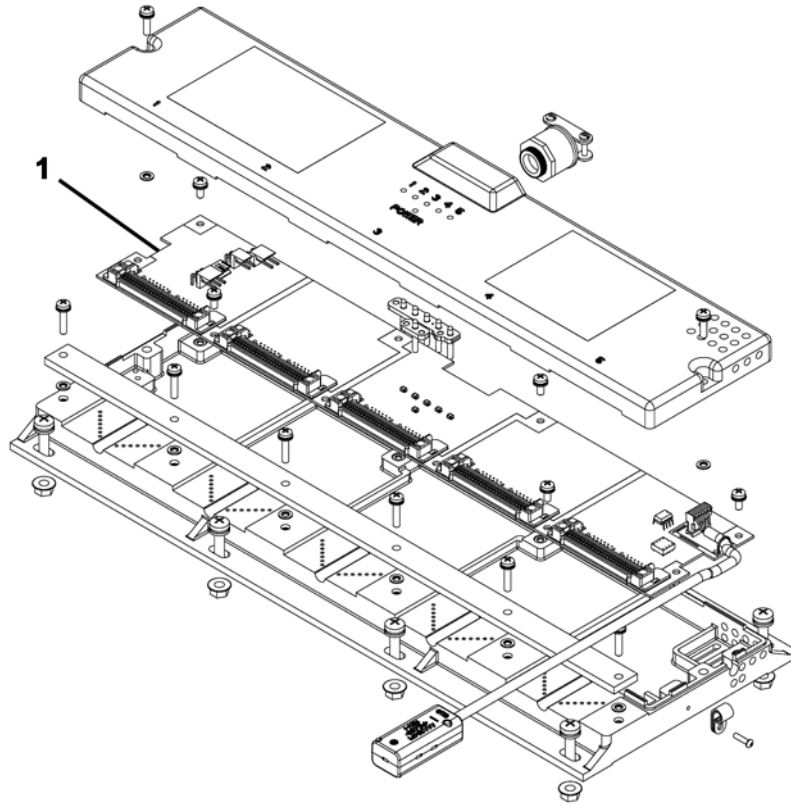
10-AAA21700X



NOTE: Machine room applications require an external temperature sensor to measure the hoistway temperature.

REF. No.	PART No.			DESCRIPTION
	EN81 CODE	ANSI CODE	JIS CODE	
1	---	---	AAA21700AC204 AAB21700AC204 AAC21700AC204 AAD21700AC204	Kit, CSB Monitor and Shorting Connectors, for 32 kN (30 mm), Machine Room, 3-Belt System
	---	---	AAA21700AC205 AAB21700AC205 AAC21700AC205 AAD21700AC205	Kit, CSB Monitor and Shorting Connectors, for 32 kN (30 mm), Machine Room, 4-Belt System
	---	---	AAA21700AC206 AAB21700AC206 AAC21700AC206 AAD21700AC206	Kit, CSB Monitor and Shorting Connectors, for 32kN (30mm), Machine Room, 5-Belt System
	AAA21700AC1 AAB21700AC1 AAC21700AC1 AAD21700AC1	AAA21700AC101 AAB21700AC101 AAC21700AC101 AAD21700AC101	AAA21700AC201 AAB21700AC201 AAC21700AC201 AAD21700AC201	Kit, CSB Monitor and Shorting Connectors, for 64 kN (60 mm), Machine Room, 3-Belt System
	AAA21700AC2 AAB21700AC2 AAC21700AC2 AAD21700AC2	AAA21700AC102 AAB21700AC102 AAC21700AC102 AAD21700AC102	AAA21700AC202 AAB21700AC202 AAC21700AC202 AAD21700AC202	Kit, CSB Monitor and Shorting Connectors, for 64 kN (60 mm), Machine Room, 4-Belt System
	AAA21700AC3 AAB21700AC3 AAC21700AC3 AAD21700AC3	AAA21700AC103 AAB21700AC103 AAC21700AC103 AAD21700AC103	AAA21700AC203 AAB21700AC203 AAC21700AC203 AAD21700AC203	Kit, CSB Monitor and Shorting Connectors, for 64 kN (60 mm), Machine Room, 5-Belt System

CSB Monitor Assembly: Machine Room Applications

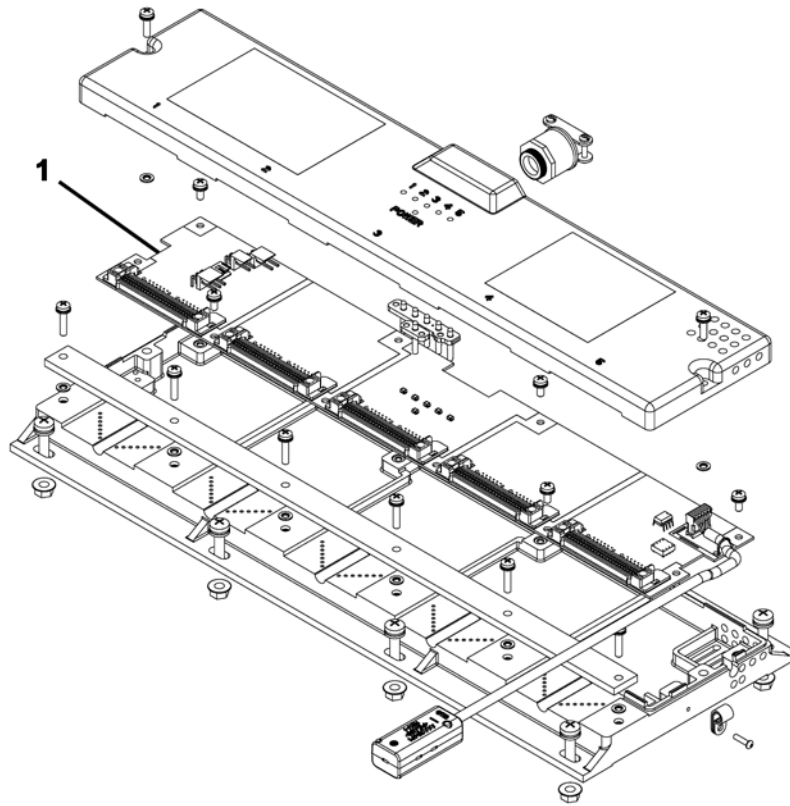


		PART No.			
REF. No.	EN81 CODE	ANSI CODE	JIS CODE	DESCRIPTION	
1	---	---	AAA26800AKX210	Assembly, Printed Circuit Board for 32 kN (30 mm) CSBs, 3-Belt System	
			ABA26800AKX210		
			ACA26800AKX210		
	---	---	ADA26800AKX210	Assembly, Printed Circuit Board for 32 kN (30 mm) CSBs, 4-Belt System	
			AEA26800AKX210		
			AFA26800AKX210		
	---	---	AAA26800AKX212	Assembly, Printed Circuit Board for 32 kN (30 mm) CSBs, 5-Belt System	
			ABA26800AKX212		
			ACA26800AKX212		
			ADA26800AKX212		
			AEA26800AKX212		
			AFA26800AKX212		

(Continued on Next Page)

CSB Printed Circuit Board Machine Room Applications

10-AAA21700X

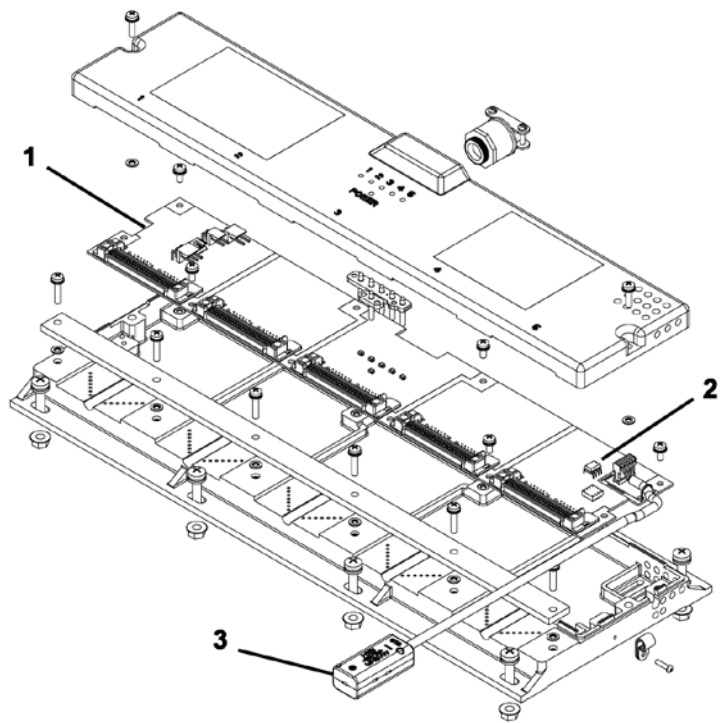


REF. No.	PART No.			DESCRIPTION
	EN81 CODE	ANSI CODE	JIS CODE	
1	AAA26800AKX7	AAA26800AKX107	AAA26800AKX207	Printed Circuit Board Assembly for 64 kN (60 mm) CSBs, 3-Belt System
	ABA26800AKX7	ABA26800AKX107	ABA26800AKX207	
	ACA26800AKX7	ACA26800AKX107	ACA26800AKX207	
	ADA26800AKX7	ADA26800AKX107	ADA26800AKX207	
	AEA26800AKX7	AEA26800AKX107	AEA26800AKX207	
	AFA26800AKX7	AFA26800AKX107	AFA26800AKX207	
	AFA26800AKX7	AFA26800AKX107	AFA26800AKX207	
	AAA26800AKX8	AAA26800AKX108	AAA26800AKX208	Printed Circuit Board Assembly for 64 kN (60 mm) CSBs, 4-Belt System
	ABA26800AKX8	ABA26800AKX108	ABA26800AKX208	
	ACA26800AKX8	ACA26800AKX108	ACA26800AKX208	
	ADA26800AKX8	ADA26800AKX108	ADA26800AKX208	
	AEA26800AKX8	AEA26800AKX108	AEA26800AKX208	
	AFA26800AKX8	AFA26800AKX108	AFA26800AKX208	
	AFA26800AKX8	AFA26800AKX108	AFA26800AKX208	
	AAA26800AKX9	AAA26800AKX109	AAA26800AKX209	Printed Circuit Board Assembly for 64 kN (60 mm) CSBs, 5-Belt System
	ABA26800AKX9	ABA26800AKX109	ABA26800AKX209	
	ACA26800AKX9	ACA26800AKX109	ACA26800AKX209	
	ADA26800AKX9	ADA26800AKX109	ADA26800AKX209	
	AEA26800AKX9	AEA26800AKX109	AEA26800AKX209	
	AFA26800AKX9	AFA26800AKX109	AFA26800AKX209	
	AFA26800AKX9	AFA26800AKX109	AFA26800AKX209	

(Continued on Next Page)

10-AAA21700X

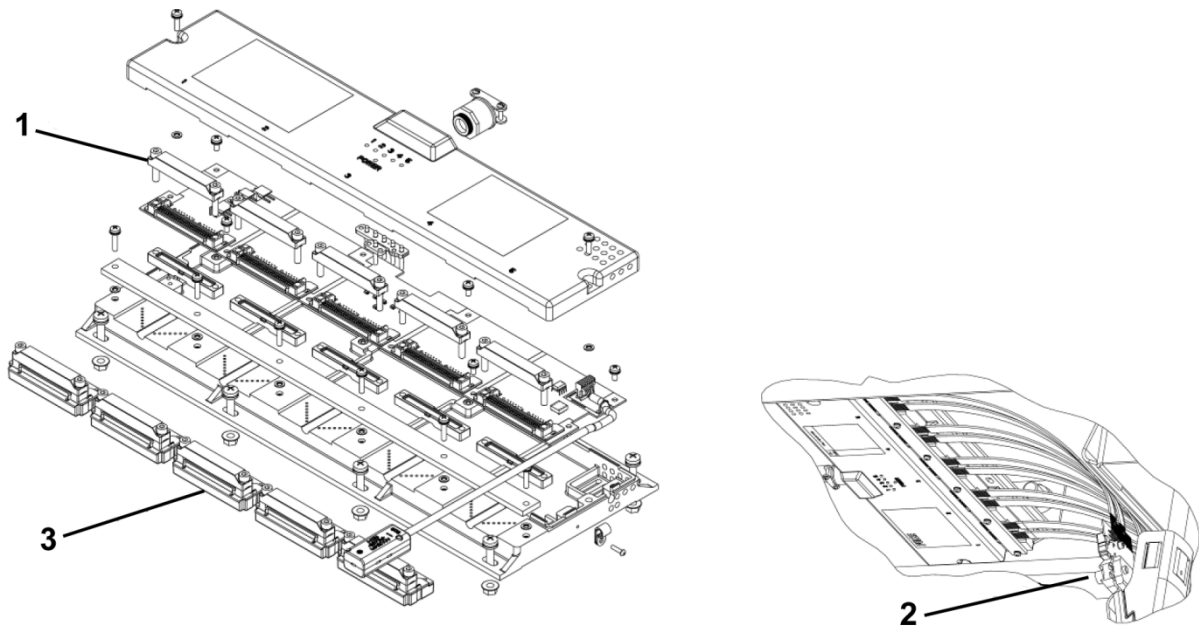
CSB Printed Circuit Board Machine Room Applications



REF. No.	PART No.			DESCRIPTION
	EN81 CODE	ANSI CODE	JIS CODE	
2	AAA616NL16			EEPROM, Blank
3	AAA21600CB1			Remote Temperature Assembly, 1.8 m Cable Length
	AAA21600CB3			Remote Temperature Assembly, 3.0 m Cable Length

CSB Board & Connectors, Machine Room Applications

10-AAA21700X



NOTE: If the length of the CSB extending beyond the termination is greater than 0.5 meters (18 inches), fire clips are not required. If the length of the CSB extending beyond termination is less than 0.5 meters, fire clips are required. Only insulated fire clips should be used.

REF. No.	PART No.			DESCRIPTION
	EN81 CODE	ANSI CODE	JIS CODE	
1	ABA336PF1			Clamp, used with 32 kN (30 mm) CSB Connector
	ABA336PF2			Clamp, used with 64 kN (60 mm) CSB Connector
2	TAA27076EJ2			Insulated Fire Clip, 32 kN (30 mm) CSB
	TAA27076EK2			Insulated Fire Clip, 64 kN (60 mm) CSB
3	ABA21700Y9			Connector, Shorting, 32 kN (30 mm) CSB
	AAA21700Y2			Connector, Shorting, 64 kN (60 mm) CSB