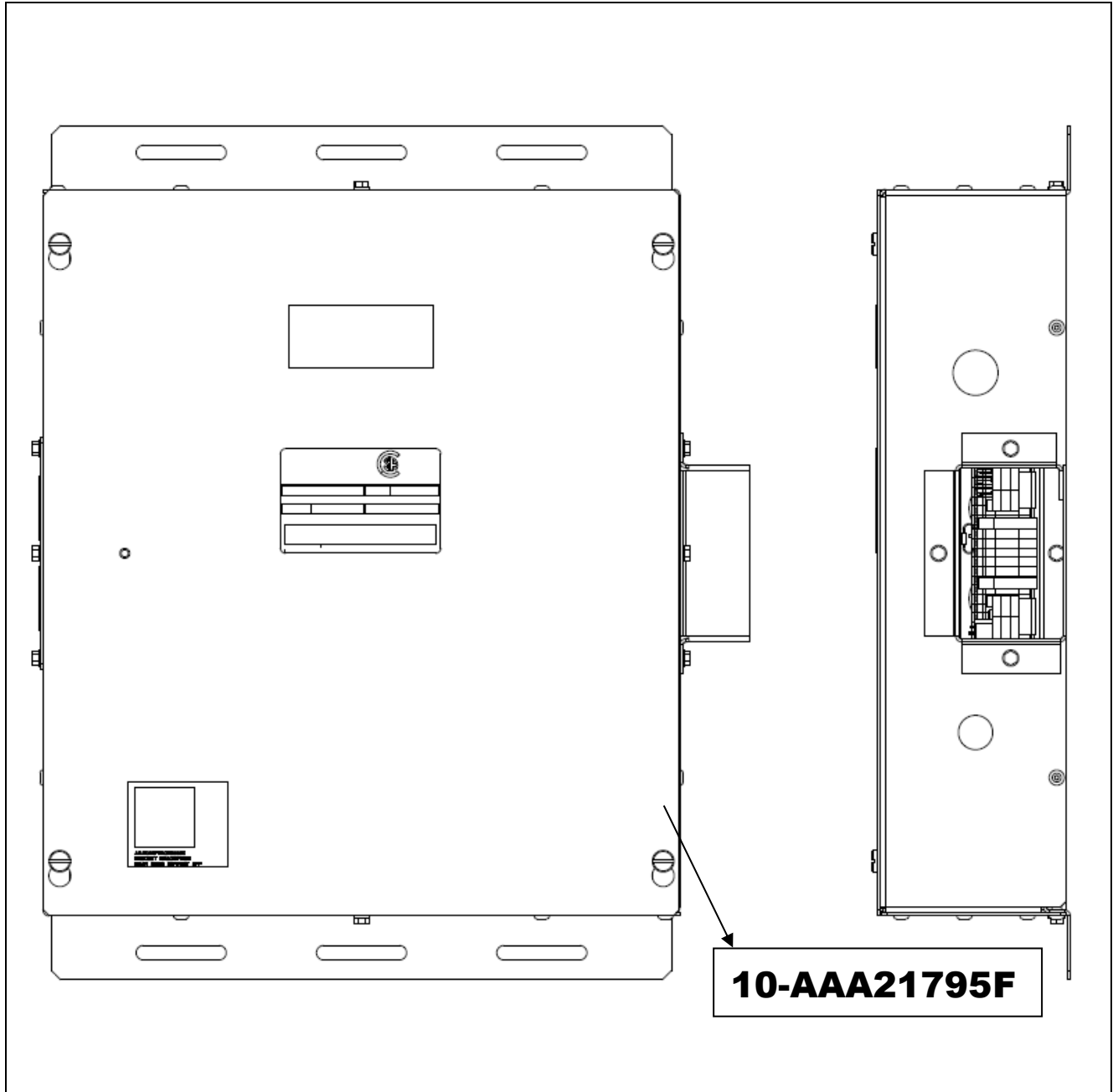


**Building Interface Box  
for NSAA Gen3® Core**

**Spare Parts Leaflet  
10-AAA21795F**

April 26, 2023 / Page 1 of 4



**OTIS**

This document does not contain any technical data subject to EAR or ITAR.

**SERVICE ENGINEERING  
Otis Elevator Company  
Bloomfield, Connecticut USA**

Unpublished Work—© Otis Elevator Co.; 2023

**Leaflet Description**

This leaflet lists the lowest replaceable parts for type AAA21795F Gen3 Core Building Interface Box used in Gen3 Core controller applications.

**Leaflet Revisions**

<b>Date Revised</b>	<b>Subject Matter Expert</b>	<b>Reason for Revision</b>
April 26, 2023	Paul Kerr and Buie Philip	New SPL

**Related Drawings**

<b>Drawing No.</b>	<b>Title</b>	<b>Drawing No.</b>	<b>Title</b>
AAA21795F	BIB Assembly and BOM		
AAA21602EA	Interface Box Prewiring Harness		
AAA21602EB			
AAA21602DY			
AAA21602DZ			

**Related Documents**

<b>Document ID</b>	<b>Title</b>
---	---

**Subject Matter Expert**

<b>Name</b>	<b>Department</b>
Ali Bozorgzadeh	OSC Service Engineering

**About Spare Parts Leaflets...**

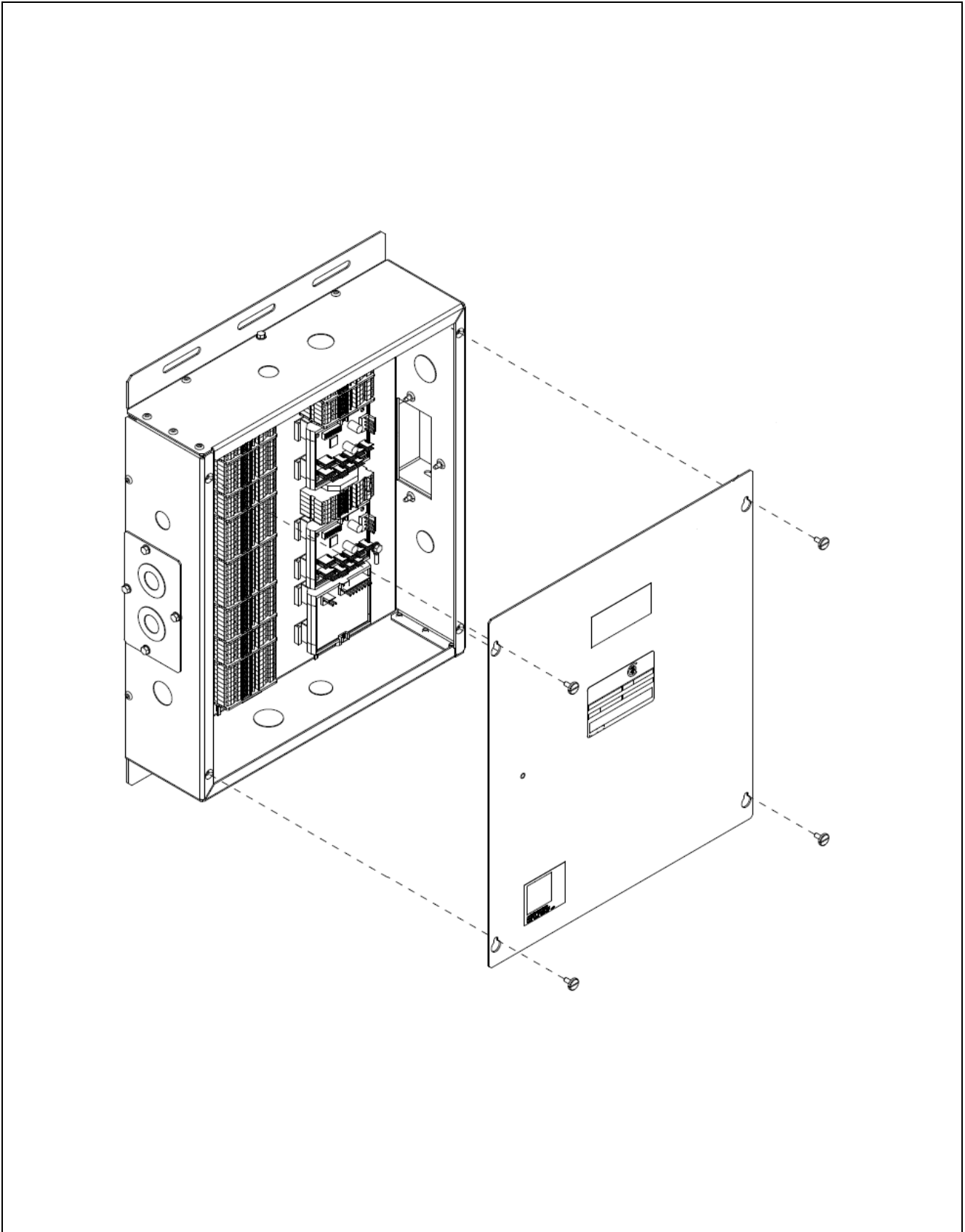
This document lists the lowest replaceable units (LRUs) for the standard version of the product. The LRUs are chosen by a team of Otis associates representing engineering and manufacturing.

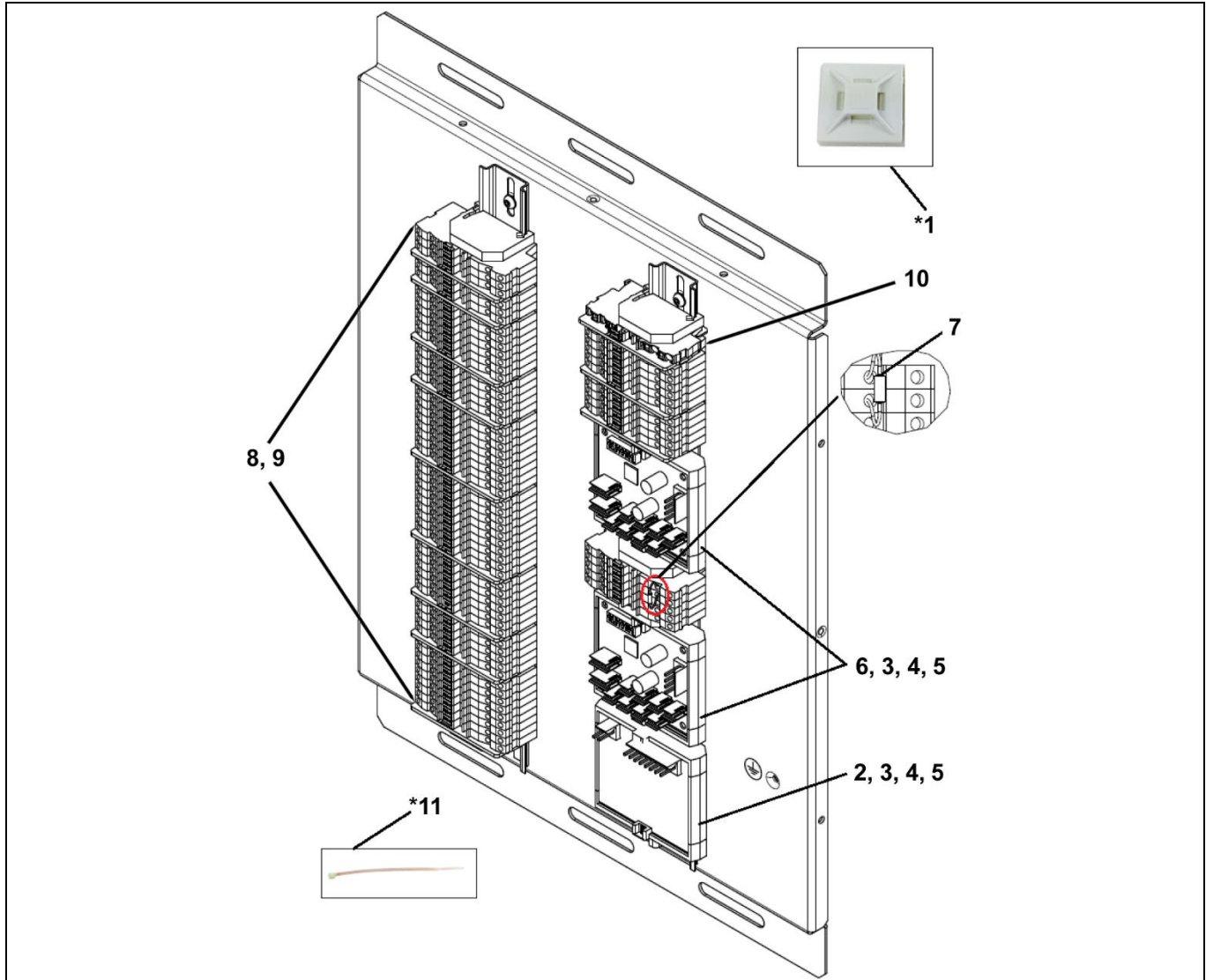
While goal of this document is to make parts identification as easy as possible, the document cannot be all-inclusive. Elevator and escalator contracts classified as "special" or "custom" are not addressed here. For such contracts, please refer to specified information, the contract folder, TIPs, Field Education Articles, Construction Letters, etc. for further information.

If you have any suggestions about this document, please contact the subject matter expert listed on this page.

# Gen3 Core Building Interface Box

10-AAA21795F





AAA21305GW			
REF. No.	PART No.	DESCRIPTION	SYMBOL
*1	AAA652A4	Anchors, Wire	---
2	ABA26800AVC1	Assembly, Filter, Electronic PC Board	BZB1
**	AAA21600DY1	Harness, Terminal to B1CF	---
**	AAA21600DZ1	Harness, Terminal to CF8 CAN	---
**	AAA21600EA1	Harness, BIB Wiring	---
**	AAA21600EB1	Harness, Terminal to B2CF	---
3	180CK2	Holder, Board	---
4	180CK3	Holder, Clip, for Din Rail	---
5	180CK1	Holder, Side	---
6	DAA26800T1	PC Board, Electronic, Interface, CF8, CAN	B1CF, B2CF
7	AAA232FX105	Resistor, Terminator, CAN, 121 Ω, R1	---
8	AAA303FZ1	Terminal, Grey	---
9	AAA303FZ3	Terminal, Blue	---
10	AAA303FZ15	Terminal, Green	---
*11	AAA652AA4	Tie, Wire	---

\* Part not shown. Location only.

\*\* Part not shown.