

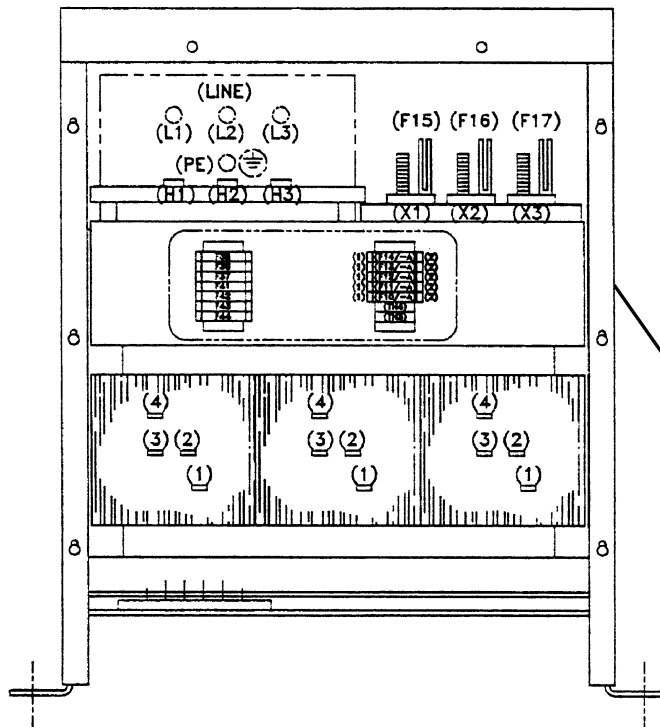
Power Transformer  
E335MW & E411M-MS

Spare Parts Leaflet

10-AAA21799B

July 1, 1999 / Page 1 of 5

Supersedes SPL 10-AAA21799B Dated December 1997



<b>WPI</b> POWER SYSTEM INC.	
<b>POWER TRANSFORMER</b>	
SERIAL No.	
SERVICE ORDER No.	
CONTRACT No.	
MODEL No. <b>AAA21799B</b>	
VOLTS	AMPS
KVA	PHASES
WIRES	HERTZ
COMPONENT VINTAGE NO. <b>C - AAA21799B</b>	
COMPONENT CODE 10	
W.P.I. PART NO.	
IP 20	
IEC	CE

Unpublished Work—© Otis Elevator Co.; 1999



Safety First!

SERVICE ENGINEERING

Otis Elevator Company  
Bloomfield, Connecticut USA

## History

10-AAA21799B

First Published: June 1995

## Power Transformer

E335MW & E411M-MS

REVISED DATE	RESPONSIBLE ENGINEER	PRIMARY REASON FOR REVISION
June 1995	---	New Leaflet
December 1997	Chris Koenig	Add EMI Filter, History Page
July 1, 1999	Chris Koenig	Update Graphic, add E411M-MS information

### ***Leaflet Description***

This spare parts leaflet describes the E335MW and E411M-MS power transformers..

RELATED LEAFLET NUMBERS	TITLES
---	---

DRAWING REFERENCES
AAA21799B

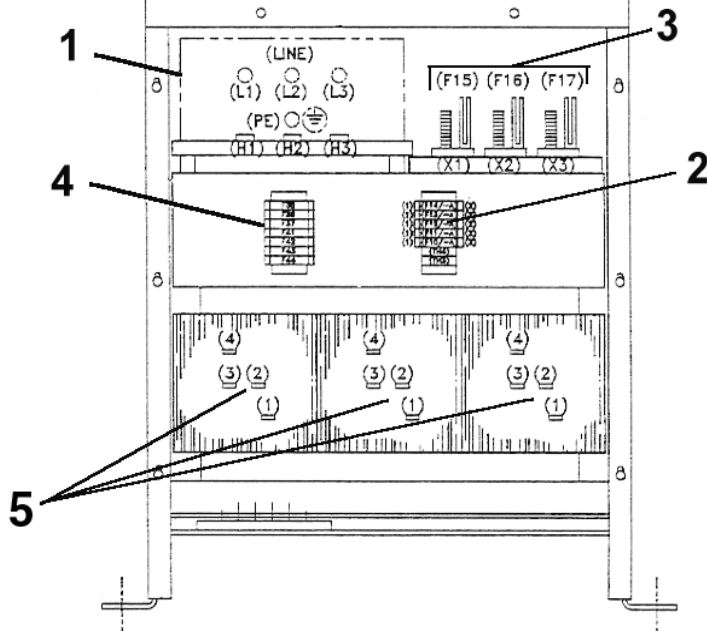
RELATED DOCUMENT NUMBERS	TITLES
---	---

This Spare Parts Leaflet (SPL) is prepared to assist you in determining the Lowest Replaceable Units (LRU) supported by the Otis Service Center for the standard version of the product titled on the preceding page. The parts are chosen by Otis associates from: Engineering, Field Engineering, Service Engineering, and Manufacturing. We attempt to make part identification as easy as possible. The SPL, however, cannot be all inclusive. Elevator and escalator contracts classified as either "special" or "custom" are not addressed. Alternative sources of information such as: the Contract Folder, Technical Information Publications, Field Education Articles, Construction Letters, etc. may give the information you are after. You live in the real world of maintaining your elevator and escalator contracts. On a daily basis, situations arise regarding parts identification and at times, for some reason, the part you need is not in the SPL. If you think a standard part not listed should be—let us know. We will respond.

**Chris Koenig-Staff Field Engineer**

# E335MW Power Transformer

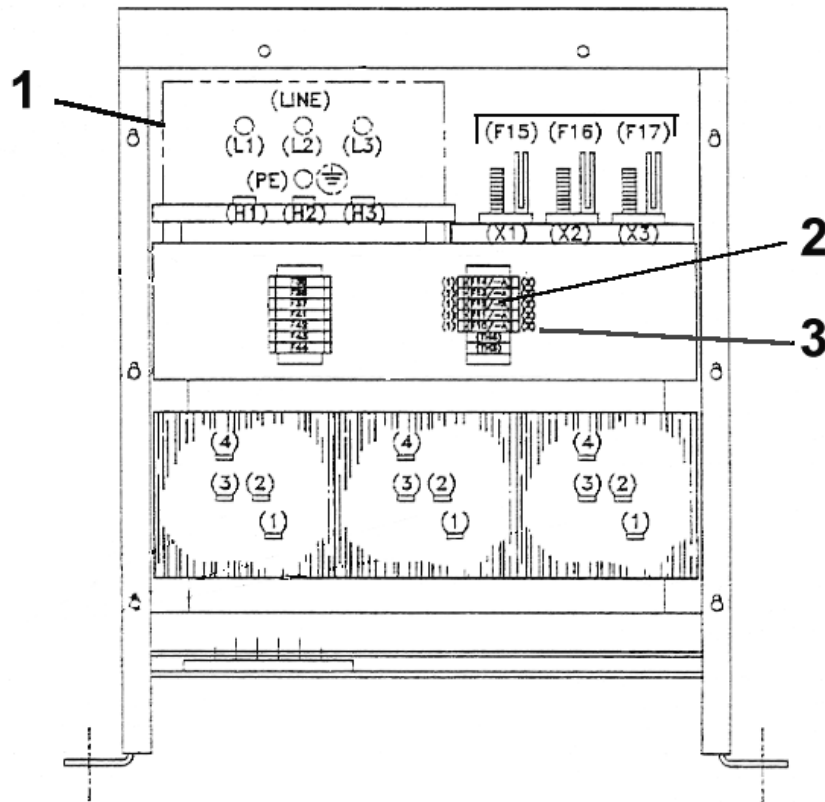
10-AAA21799B



REF. NO.	AAA21799B PART or ML	DESCRIPTION	QTY.	SYMBOL
1	AAA657C1	Filter, EMI, 60 A, 480 V	1 (When Specified)	FIL1
	AAA657C2	Filter, EMI, 150 A, 480 V		
	AAA657C3	Filter, EMI, 210 A, 480 V		
	AAA657C4	Filter, EMI, 60 A, 600 V		
	AAA657C5	Filter, EMI, 150 A, 600 V		
	AAA657C6	Filter, EMI, 210 A, 600 V		
2	AAA375BK29	Fuse, 4 A, 600 V, $\overline{W}$ 440-600 V Primary	3	F10,F11, F12,F13, F14
	AAA375BK33	Fuse, 6 A, 600 V, $\overline{W}$ 346-416 V Primary		
	AAA375BK39	Fuse, 10 A, 600 V, $\overline{W}$ 208-240 V Primary		
3	Type AAA375BW	Fuse, Contract Specific Part, 250 V (provide current rating listed on fuse when ordering replacement from OSC)	3	F15, F16,F17
	Type AAA375BZ	Fuse, Contract Specific Part, 600 V (provide current rating listed on fuse when ordering replacement from OSC)		
4	AAA375BK33	Fuse, 6 A, 600 V, Contract Specific Part	3	F35,F36,F37
*- - -	AAA739E1	Switch, Thermal	3	T
5	Type AAA21799B	Transformer, Contract Specific Part (provide all data plate information when ordering replacement from OSC)	1	TRF1

\* For location only. Part not shown.

# E411M-MS Power Transformer

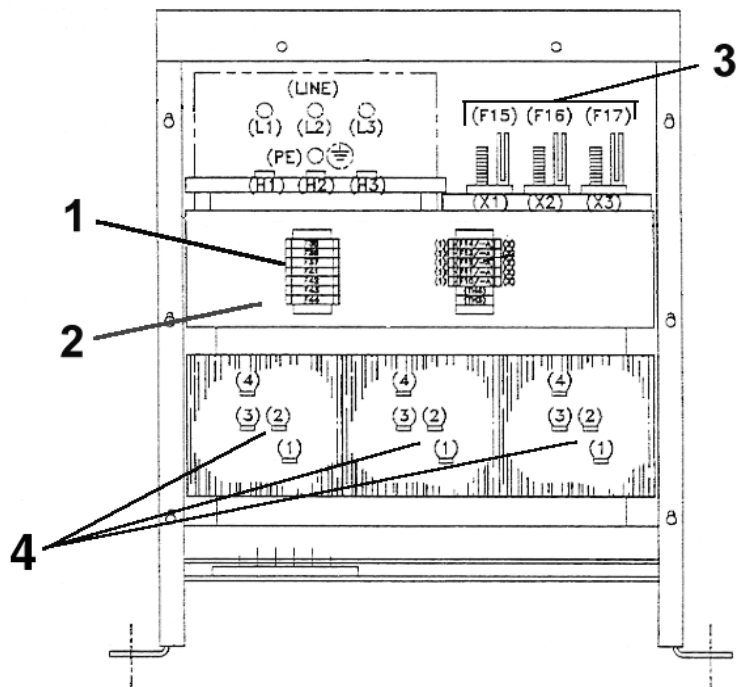


REF. NO.	AAA21799B PART or ML	DESCRIPTION	QTY.	SYMBOL
1	AAA657C1	Filter, EMI, 60 A, 480 V	1 (When Specified)	FIL1
	AAA657C2	Filter, EMI, 150 A, 480 V		
	AAA657C3	Filter, EMI, 210 A, 480 V		
	AAA657C4	Filter, EMI, 60 A, 600 V		
	AAA657C5	Filter, EMI, 150 A, 600 V		
	AAA657C6	Filter, EMI, 210 A, 600 V		
2	AAA375BK29	Fuse, 4 A, 600 V, $\overline{W}$ 440-600 V Primary	3	F10,
	AAA375BK33	Fuse, 6 A, 600 V, $\overline{W}$ 346-416 V Primary		F11,
	AAA375BK39	Fuse, 10 A, 600 V, $\overline{W}$ 208-240 V Primary		F12
3	AAA375BK37	Fuse, 8 A, 600 V, $\overline{W}$ 440-600 V Primary	2	F13,F14
	AAA375BK39	Fuse, 10 A, 600 V, $\overline{W}$ 346-416 V Primary		
	AAA375BJ38	Fuse, 15 A, 600 V, $\overline{W}$ 208-240 V Primary		

(Continued on next page)

# E411M-MS Power Transformer

10-AAA21799B



REF. NO.	AAA21799B PART or ML	DESCRIPTION	QTY.	SYMBOL
1	AAA375BK13	Fuse, 1 A, 600 V, Contract Specific Part	3	F35, F36, F37
	AAA375BK21	Fuse, 2 A, 600 V, Contract Specific Part		
	AAA375BK26	Fuse, 3 A, 600 V, Contract Specific Part		
	AAA375BK29	Fuse, 4 A, 600 V, Contract Specific Part		
	AAA375BK31	Fuse, 5 A, 600 V, Contract Specific Part		
	AAA375BK33	Fuse, 6 A, 600 V, Contract Specific Part		
2	AAA375BK21	Fuse, 2 A, 600 V,  440-600 V Primary	2	F41, F42, F43,F44
	AAA375BK26	Fuse, 3 A, 600 V,  346-416 V Primary		
	AAA375BK31	Fuse, 5 A, 600 V,  208-240 V Primary		
3	Type AAA375BW	Fuse, Contract Specific Part, 250 V (provide current rating listed on fuse when ordering replacement from OSC)	3	F15 F16, F17
	Type AAA375BZ	Fuse, Contract Specific Part, 600 V (provide current rating listed on fuse when ordering replacement from OSC)		
*- - -	AAA739E1	Switch, Thermal	3	T
4	Type AAA21799B	Transformer, Contract Specific Part (provide all data plate information when ordering replacement from OSC)	1	TRF1

\* Part not shown.