

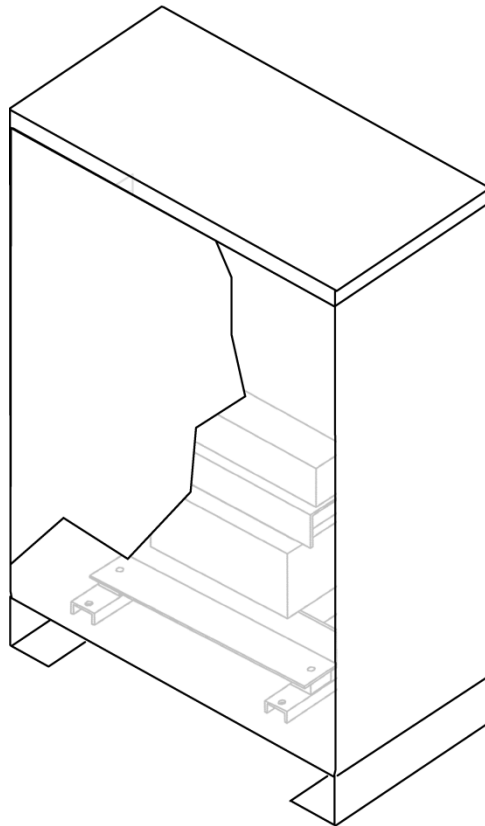
TRL Transformer
(Enclosure Assembly)
for Non-Regenerative Drives

Spare Parts Leaflet

10-AAA21799H

March 12, 2014 / Page 1 of 5

**W/O
VINTAGE**



OTIS

SERVICE ENGINEERING
Otis Elevator Company
Bloomfield, Connecticut USA

Unpublished Work—© Otis Elevator Co.; 2014

Leaflet Description

This leaflet provides replacement part information for the enclosure assembly that contains the line power transformer (TRL) for variable frequency drives.

Leaflet Revisions

Date Revised	Subject Matter Expert	Reason for Revision
May 20, 2003	John Dwyer	New SPL
May 5, 2010	John Kleine	Added NGPOK fuses on page 3.
March 12, 2014	Robert Knapp	Corrected SPL 10-AAA21290R title on p. 2

Related Drawings

Drawing No.	Title	Drawing No.	Title
AAA21799H	Transformer Assembly, Enclosed Transformer for Non-Regenerative Drives	---	---
---	---	---	---

Related Documents

Document ID	Title
SPL 10-AAA21290R	Controller GEM, E311VF, MVS, & HVS, and GMP (Mod)
---	---

Subject Matter Expert

Name	Department
Robert Knapp	OSC Service Engineering

About Spare Parts Leaflets...

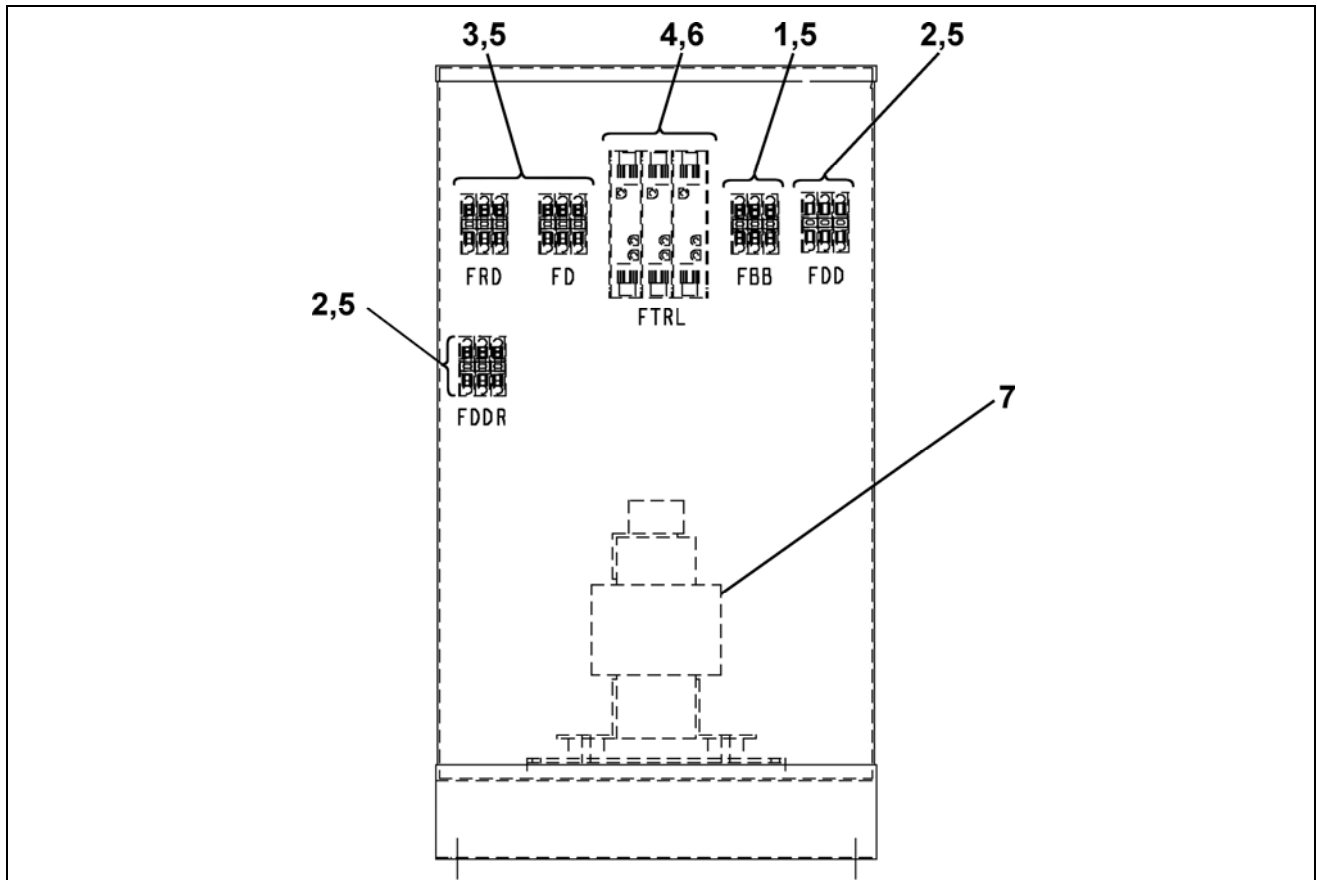
This document lists the lowest replaceable units (LRUs) for the standard version of the product. The LRUs are chosen by a team of Otis associates representing engineering and manufacturing.

While goal of this document is to make parts identification as easy as possible, the document cannot be all-inclusive. Elevator and escalator contracts classified as "special" or "custom" are not addressed here. For such contracts, please refer to specified information, the contract folder, TIPS, Field Education Articles, Construction Letters, etc. for further information.

If you have any suggestions about this document, please contact the subject matter expert listed on this page.

Drive Transformer Enclosure

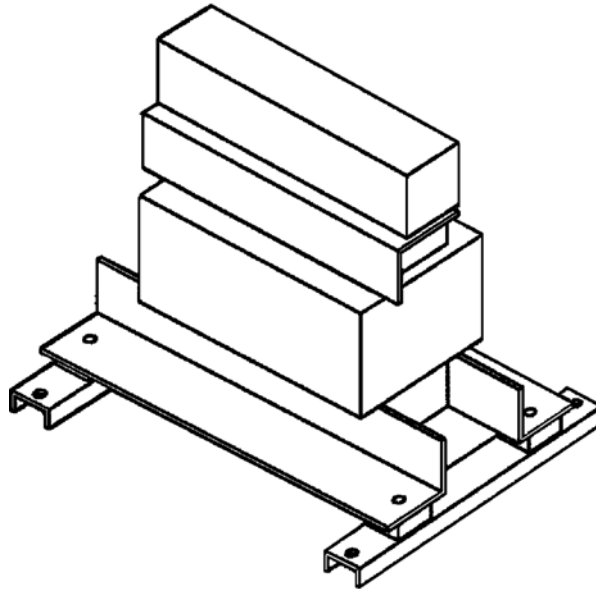
10-AAA21799H



REF. No.	W/O VINTAGE PART No.	DESCRIPTION	SYMBOLS
1	AAA375CE5	Fuse, 1.25 A, 600 V	FBB
2	AAA375BK28	Fuse, 3.5 A, 600 V (with AAA225JR transformer) W→ DO2000 and NGPOK Door Operator	FDD
	AAA375BK26	Fuse, 3 A, 600 V (with AAA225JR transformer < 240 V Bldg pwr.) W→ DO2000 and NGPOK Door Operator	FDD, FDDR
	AAA375BK29	Fuse, 4 A, 600 V (with AAA225JR transformer, > 240 V Bldg pwr.) W→ DO2000 and NGPOK Door Operator	FDD, FDDR
3	AAA375BN24	Fuse, 15 A, 600 V	FD, FRD
4	AAA375BZ42	Fuse, 40 A, 600 V (with ABA225JK2 or 5 TRL)	FTRL
	AAA375BZ45	Fuse, 60 A, 600 V (with ABA225JK3 or 6 TRL)	
	AAA375BZ50	Fuse, 100 A, 600 V (with ABA225JK1, 4 or 7 TRL)	
5	AAA653D2	Holder, Fuse, 3 Pole	FBB, FD, FDD, FDDR, FRD
6	AAA653J20	Holder, Fuse, 3 Pole (for AAA375BZ42 or 45 fuses)	FTRL
	AAA653J23	Holder, Fuse, 3 Pole (for AAA375BZ50 fuses)	
7	---	Transformer, See Pages 4 & 5	TRL

10-AAA21799H

TRL Drive Transformer



SYSTEM	DUTY	POWER SUPPLY		PART No.	TRANSFORMER TYPE / KVA
		VOLTS (see NOTE)	HZ		
GEM	2035 2040 2535 2540 3035	204-240	60	AAA225GW1	Isolation, 20 KVA
			50	AAA225GW3	
			50/60	AAA225JK5 ABA225JK5	Auto, 25.7 KVA
		360-420	60	AAA225GV3	Auto, 20 KVA
			50	AAA225GV5	
			50/60	AAA225JK2 ABA225JK2	Auto, 25.7 KVA
GEM/LRVF	GEM: 3040 3535 3540 4035 4535 LRVF: ALL	204-240	60	AAA225GW1	Isolation, 20 KVA
			50	AAA225GW3	
			50/60	AAA225JK6 ABA225JK6	Auto, 39 KVA
		360-420	60	AAA225GV3	Auto, 20 KVA
			50	AAA225GV5	
			50/60	AAA225JK3 ABA225JK3	Auto, 39 KVA
	ALL	545-605	60	AAA225GV1	Auto, 20 KVA
				AAA225JK1	Auto, 66.5 KVA
				ABA225JK1	

NOTE: TRL transformer is not required in systems with power supply of 440–480 V.

(Continued on next page)

TRL Drive Transformer

10-AAA21799H

See illustration on the previous page.

SYSTEM	DUTY	POWER SUPPLY		PART No.	TRANSFORMER TYPE / KVA	
		VOLTS (see NOTE)	HZ			
MVS / E311MV	2035 2040 2045 2050 2535 3035 3535	204-240	60	AAA225GW1	Isolation, 20 KVA	
			50	AAA225GW3		
			50/60	AAA225JK6 ABA225JK6	Auto, 39 KVA	
		360-420	60	AAA225GV3	Auto, 20 KVA	
			50	AAA225GV5		
			50/60	AAA225JK3 ABA225JK3	Auto, 39 KVA	
			545-605	60	AAA225GV1	Auto, 20 KVA
		AAA225JK1			Auto, 66.5 KVA	
		ABA225JK1				
		2550 3045 3050 3540 3545 3550 4035 4535 5035	204-240	60	AAA225GW2	Isolation, 27 KVA
				50	AAA225GW4	
				50/60	AAA225JK7 ABA225JK7	Auto, 66.5 KVA
	360-420		60	AAA225GV4	Auto, 27 KVA	
			50	AAA225GV6		
			50/60	AAA225JK4 ABA225JK4	Auto, 66.5 KVA	
			545-605	60	AAA225GV2	Auto, 27 KVA
	AAA225JK1				Auto, 66.5 KVA	
	ABA225JK1					
	HVS		ALL	204-240	60	AAA225GW2
		50			AAA225GW4	
50/60		AAA225JK7 ABA225JK7			Auto, 66.5 KVA	
360-420		60		AAA225GV4	Auto, 27 KVA	
		50		AAA225GV6		
		50/60		AAA225JK4 ABA225JK4	Auto, 66.5 KVA	
		545-605		60	AAA225GV2	Auto, 27 KVA
AAA225JK1					Auto, 66.5 KVA	
ABA225JK1						

NOTE: TRL transformer is not required in systems with power supply of 440–480 V.