

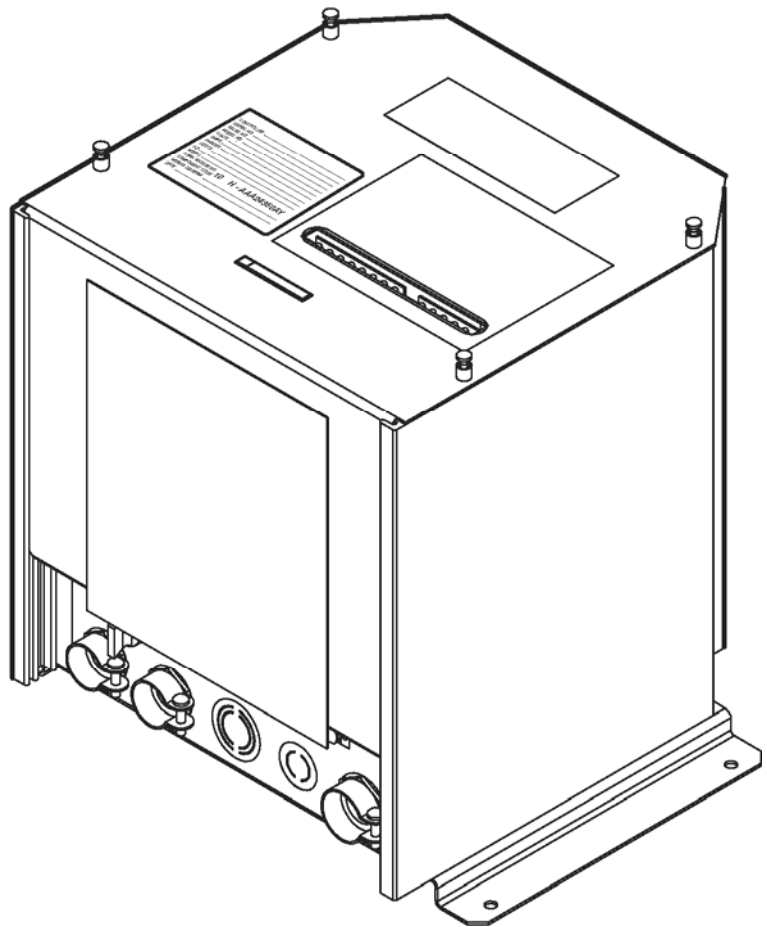
Controller
HPLIM Door Operator

Spare Parts Leaflet
10-AAA24350AY

February 16, 2011 / Page 1 of 7

CONTROLLER _____
SERIAL NO. _____
SALES NO. _____
MODEL NO. _____
VOLTS _____
AMPS _____
PHASES _____
HERTZ _____
H.P. _____
WIRES _____
COMP. VINTAGE NO. 10 H - AAA24350AY
COMPONENT CODE _____
WIRING DIAGRAM _____
DATE _____

10	H - AAA24350AY
-----------	-----------------------



Unpublished Work—© Otis Elevator Co.; 2011

OTIS

Safety First!

SERVICE ENGINEERING
Otis Elevator Company
Bloomfield, Connecticut USA

Leaflet Description

This leaflet lists the OSC supported lowest replaceable units (LRUs) for the High Performance Linear Induction Motor (HPLIM) door operator controller.

Special Notes: The assembly was first manufactured about August 1997. At that time and up to about May 1999 the component code on the vintage tag read: 23. Thereafter, the component code on the vintage tag was changed to 10 (PCAN 3577).

A revision to the assembly on 10/31/97 (PCAT0186) changed the data plate. The new data plate also indicates the component vintage of the assembly using component code 10.

Regardless of vintage tag used or component code shown, this SPL lists all applicable LRUs for the assembly.

Leaflet Revisions

Date Revised	Subject Matter Expert	Reason for Revision
October, 1997	Ali Bozorgzadeh	New Leaflet, Initial Release
September 20, 1999	Ali Bozorgzadeh	Update
May 20, 2002	Ali Bozorgzadeh	Correct vintage tag information on cover page.
January 3, 2007	Ali Bozorgzadeh	Added Information on pp. 4 and 6
November 27, 2007	Ali Bozorgzadeh	Replaced p/n 30245 with p/n JCA30245AAA in ref. 3 on p. 6
December 14, 2007	Ali Bozorgzadeh	Corrected spelling p/n JCA30245AAA to p/n JAC30245AAA
February 16, 2011	Sohaib Shaikh	Superseded p/n JAC30245AAA to JAC30245AAB on p. 6

Related Drawings

Drawing No.	Title	Drawing No.	Title
AAA24350AY	Door Operator Controller Assembly HPLIM Door System		

Related Documents

Document ID	Title
F.E. 22.12-1	CD-ROM, HPLIM Overview, Installation, Adjusting and Troubleshooting

Subject Matter Expert

Name	Department
Sohaib Shaikh	Service Engineering

About Spare Parts Leaflets...

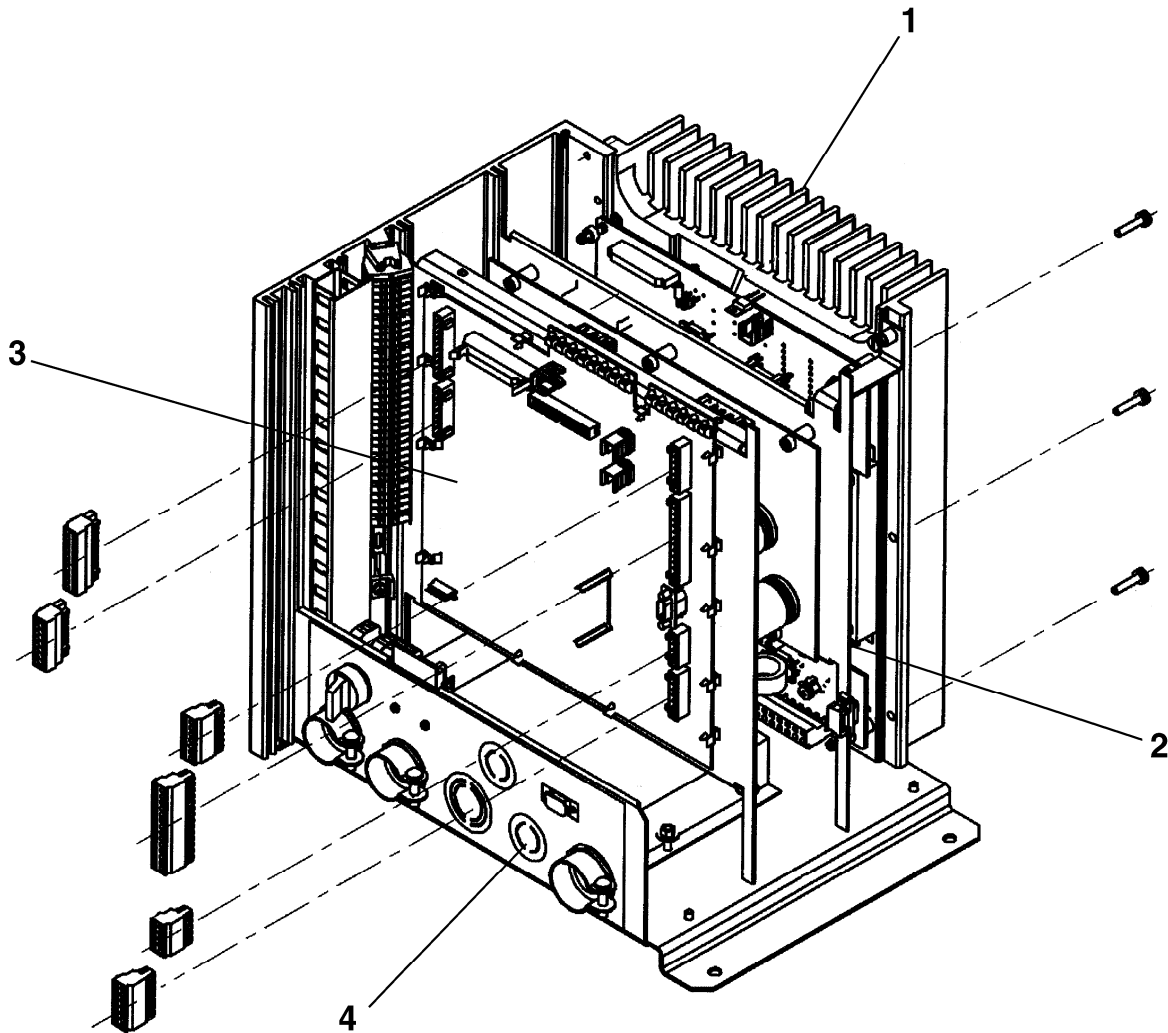
This document lists the lowest replaceable units (LRUs) for the standard version of the product. The LRUs are chosen by a team of Otis associates representing engineering and manufacturing.





While goal of this document is to make parts identification as easy as possible, the document cannot be all-inclusive. Elevator and escalator contracts classified as "special" or "custom" are not addressed here. For such contracts, please refer to specified information, the contract folder, TIPs, Field Education Articles, Construction Letters, etc. for further information.

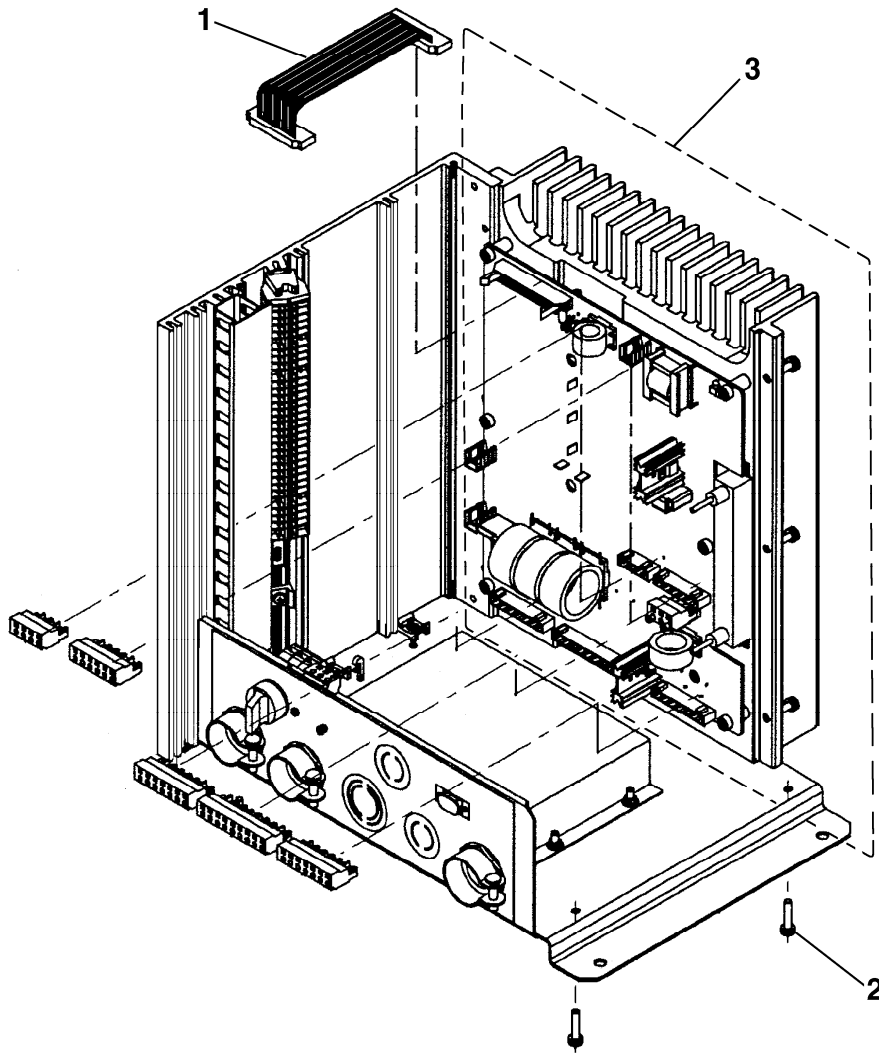
If you have any suggestions about this document, please contact the subject matter expert listed on this page.

Table of Contents

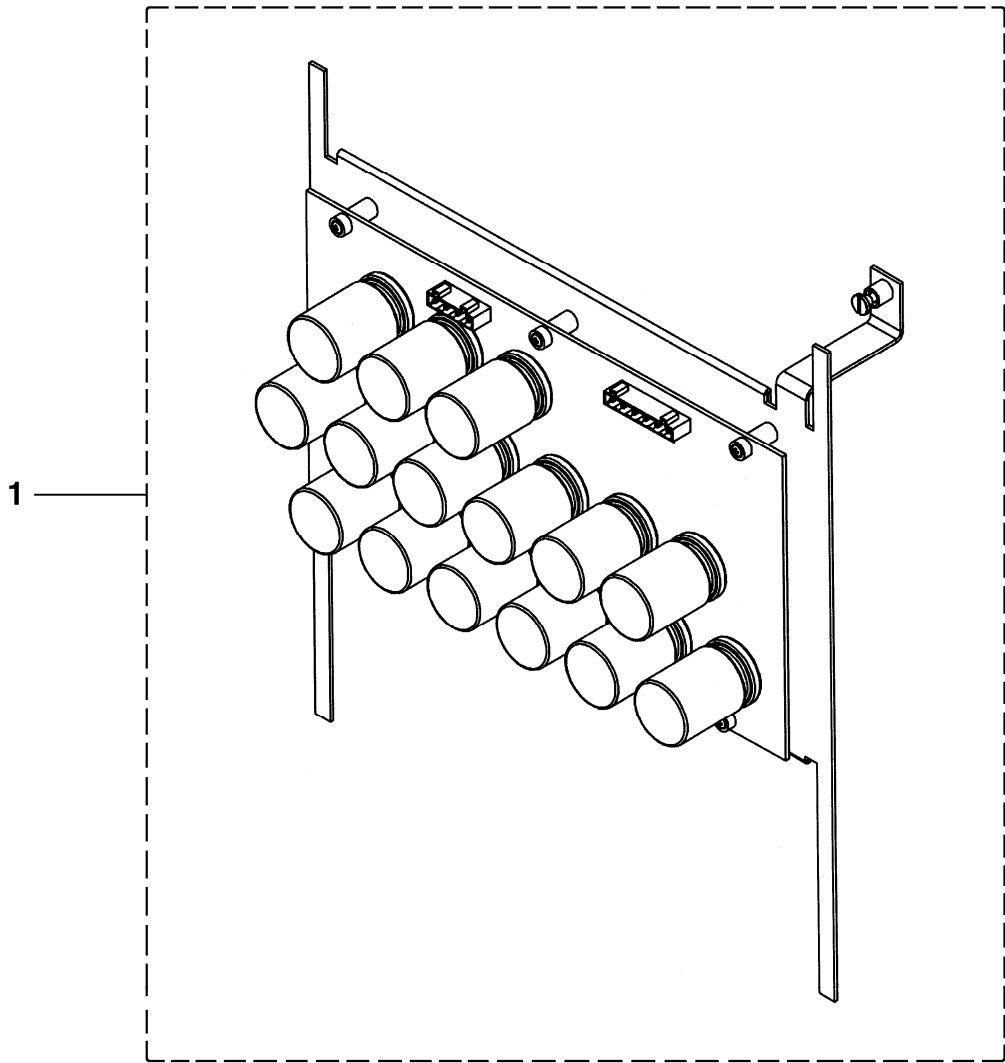
10-AAA24350AY



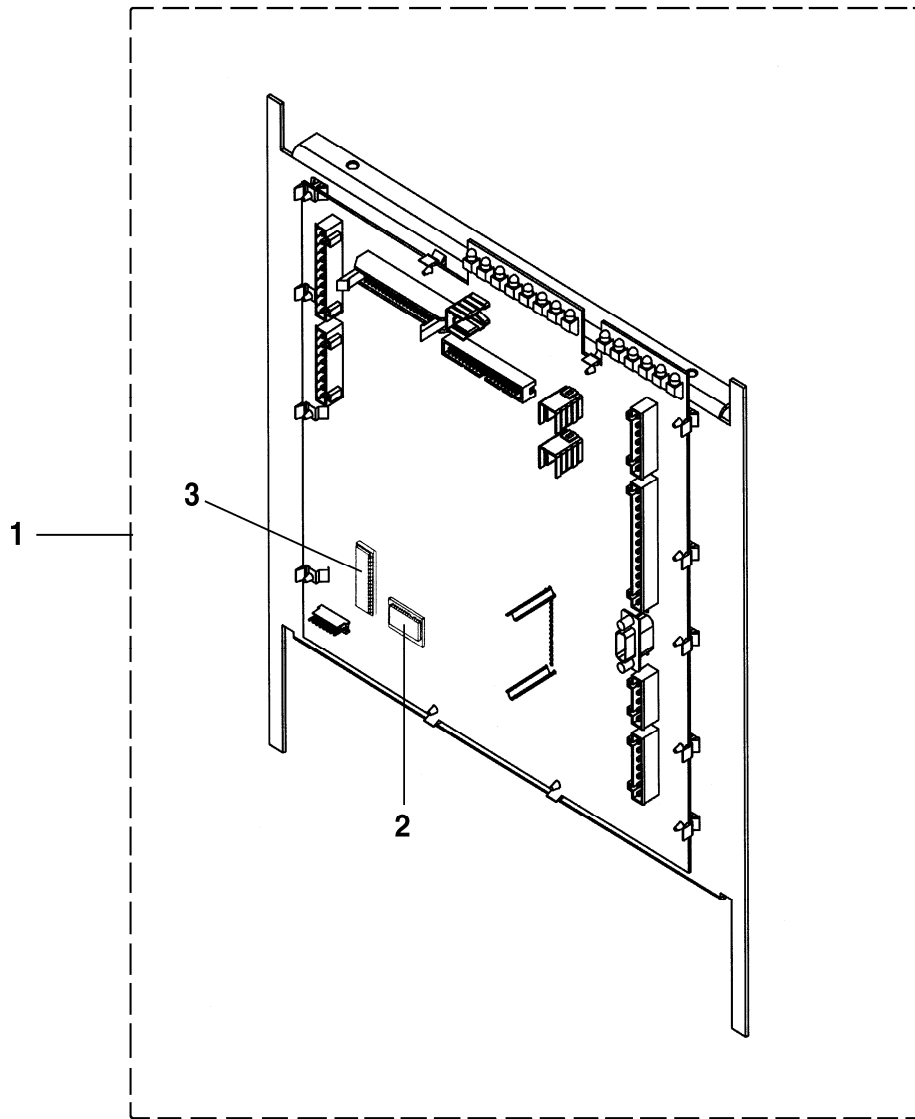
AAA24350AY		
REF. No.	PART No.	DESCRIPTION
1	 p. 4	HPLIM Controller Drive Assembly
2	 p. 5	Bus Capacitor PCB Sub-Assembly
3	 p. 6	Control PCB Sub-Assembly
4	 p. 7	Rotary Switch & Service Port Cable



REF. No.	PART No.	DESCRIPTION
1	AAA174TP9	Cable, Electrical
2	AAA124FD37	Screw, M5 x 25 mm, SEMS
3	AAA24350AZ1	Sub-Assembly, Drive (Power Supply, Inverter, IGBT)



	AAA24350AY	
REF. No.	PART No.	DESCRIPTION
1	AAA26800XE1 AAA24350BF1	Sub-Assembly, Bus Capacitor PCB

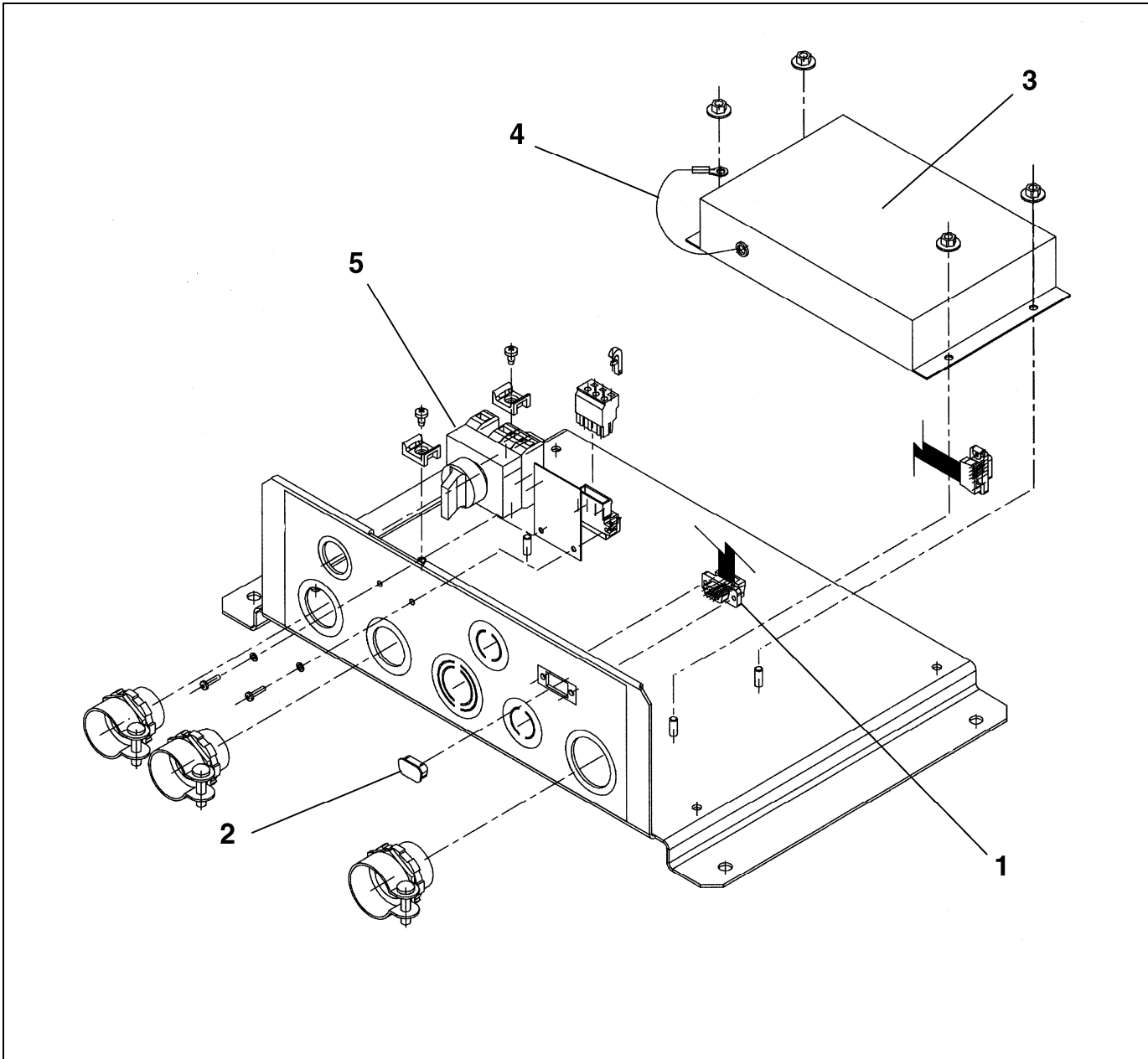


REF. No.	PART No.	DESCRIPTION
	AAA24350AY	
1	AAA26800XD1 AAA24350BE1	Sub-Assembly, Control PCB, NOTE
2	AAA616PD2	EEPROM, Blank (U85)
3	JAC30245AAA JAC30245AAB	HPLIM Software (U83)

NOTE: Item 1 does not include chips ref. 2 and 3. Order those items separately as needed.

Rotary Switch & Service Port Cable

10-AAA24350AY



AAA24350AY		
REF. No.	PART No.	DESCRIPTION
1	174HT5	Assembly, Service Port Cable
2	AAA329BL1	Cap, Sub D Connector
3	AAA657A17	Filter, Electrical
4	AAA190CA3	Lug, Terminal Ring Tongue
5	AAA636B5	Switch, Rotary