

# E411 Door Control Subsystem

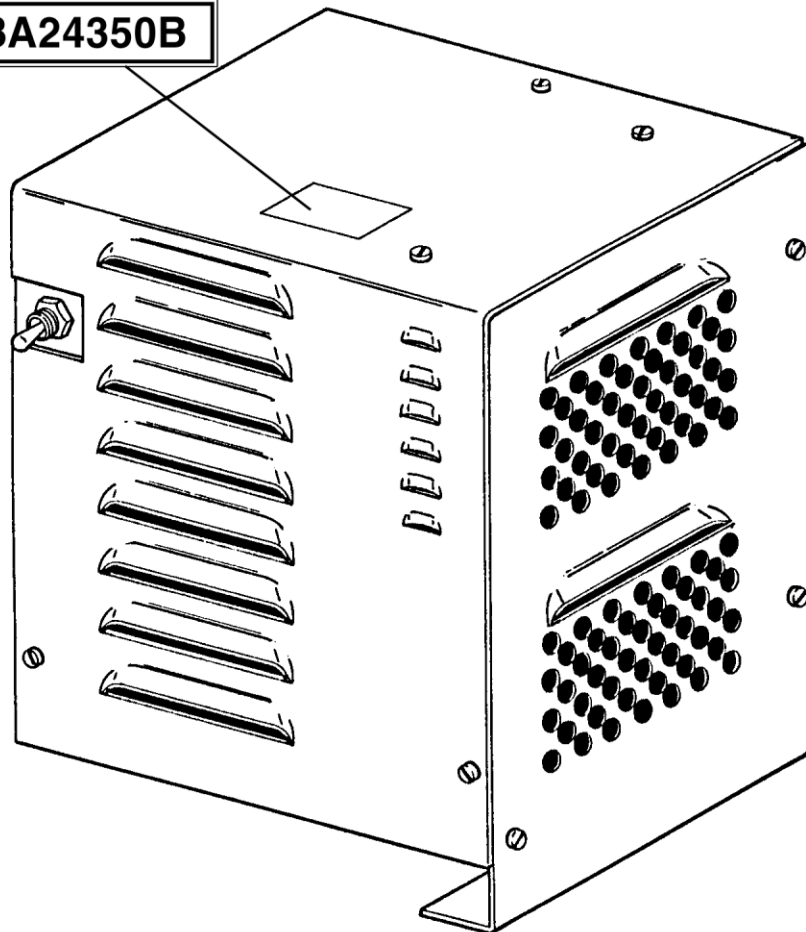
Spare Parts Leaflet

10-AAA24350B

January 20, 2010 / Page 1 of 7

**W** → OVL Operator

10	T-AAA24350B
10	T-ABA24350B



Unpublished Work—© Otis Elevator Co.; 2010

# OTIS

**Safety First!**

**SERVICE ENGINEERING**  
Otis Elevator Company  
Bloomfield, Connecticut USA

**Leaflet Description**

This leaflet contains replaceable parts for the door control subsystem used with OVL operators and E411 controllers.

**Leaflet Revisions**

<b>Date Revised</b>	<b>Subject Matter Expert</b>	<b>Reason for Revision</b>
September 1, 1994	Val Minnes	Changed from 23-AAA24350B to 10-AAA24350B
June 1, 1998	Val Minnes	Updated resistor information (p. 5) and added history page.
January 20, 2010	Sohaib Shaikh	Remove component parts, add assembly of snubber circuit p. 5.

**Related Drawings**

<b>Drawing No.</b>	<b>Title</b>	<b>Drawing No.</b>	<b>Title</b>

**Related Documents**

<b>Document ID</b>	<b>Title</b>

**Subject Matter Expert**

<b>Name</b>	<b>Department</b>
Sohaib Shaikh	OSC Electrical Engineering

**About Spare Parts Leaflets...**

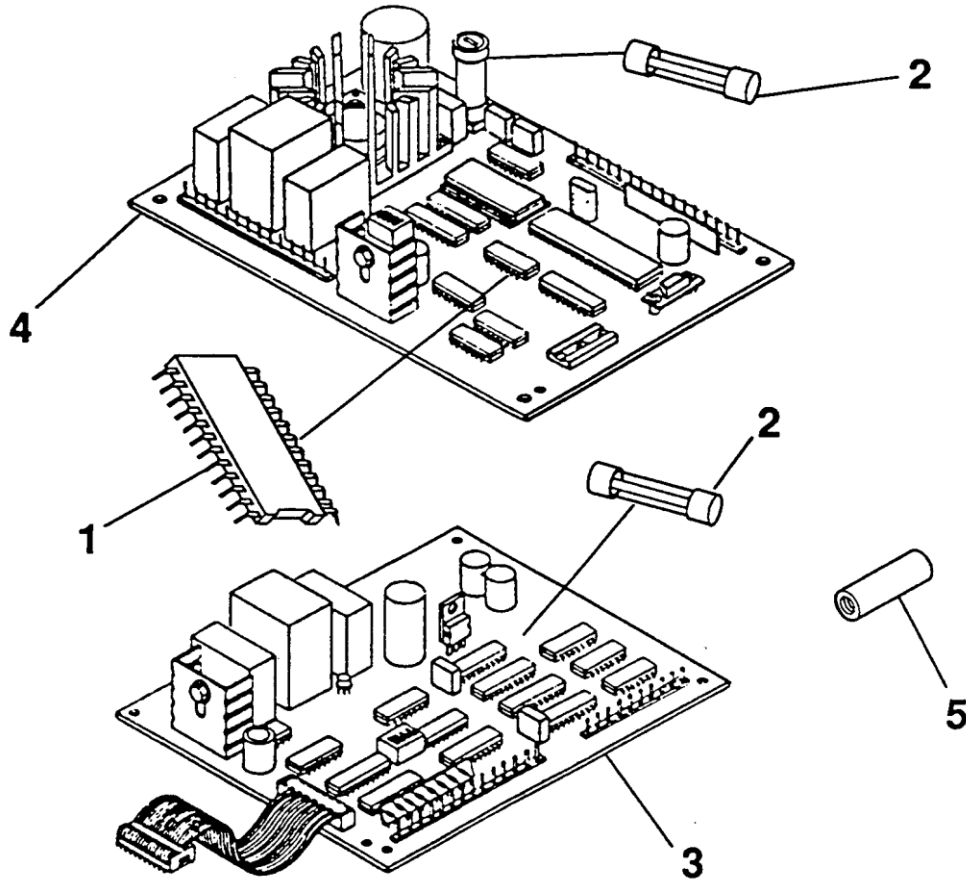
This document lists the lowest replaceable units (LRUs) for the standard version of the product. The LRUs are chosen by a team of Otis associates representing engineering and manufacturing.




While goal of this document is to make parts identification as easy as possible, the document cannot be all-inclusive. Elevator and escalator contracts classified as “special” or “custom” are not addressed here. For such contracts, please refer to specified information, the contract folder, TIPs, Field Education Articles, Construction Letters, etc. for further information.

If you have any suggestions about this document, please contact the subject matter expert listed on this page.

# Door Control Subsystem OVL Operator

**10-AAA24350B**

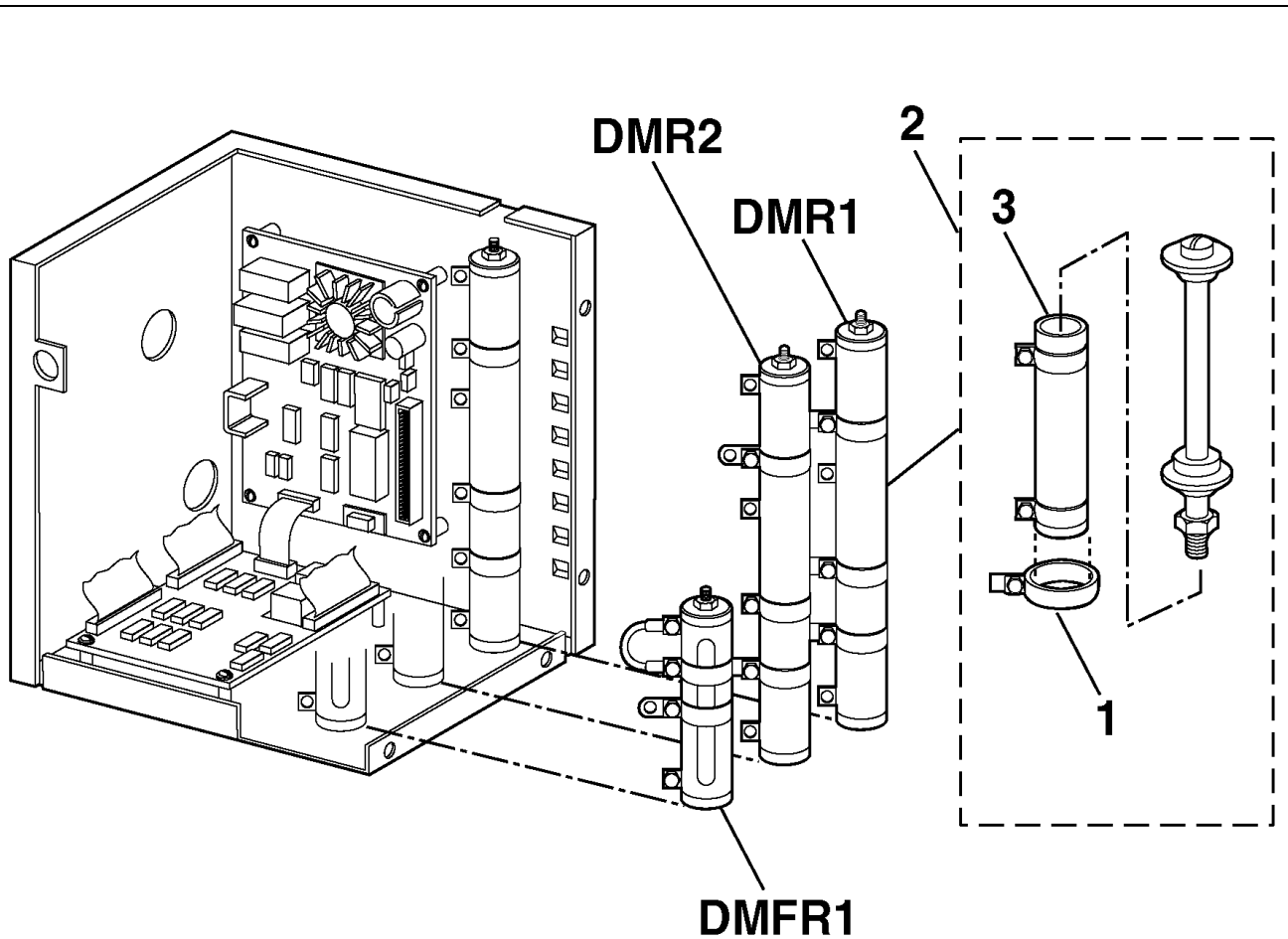


REF. No.	PART No.	DESCRIPTION
	<b>AAA24350B</b> <b>ABA24350B</b>	
1	GOC616G38	EPROM
2	GO375AF22	Fuse, 2A
	AAA375BY8	
3	A9693MG1	PC Board, Alternate Door Interface Subsystem (ADISS)
	A9693MG2	<b>NOTE:</b> If replacing board from original installation manufactured before March 1993, then update first with retrofit kit.
	AAA26800NR1	
	B9693MG1	
	AAA24350X1	Retrofit Kit,  Detail Page 6
4	B9693MB1	PC Board, Door Interface Subsystem (DISS) w/o EPROM
	GO2000JS1	 note above
	AAA26800NP1	
	C9693MB1	
	AAA24350X1	Retrofit Kit,  Detail Page 6
5	354CD6	Standoff, Aluminum, 6-32 UNC x 0.75 in. L

**10-AAA24350B**

# Door Control Subsystem

## W→OVL Operator

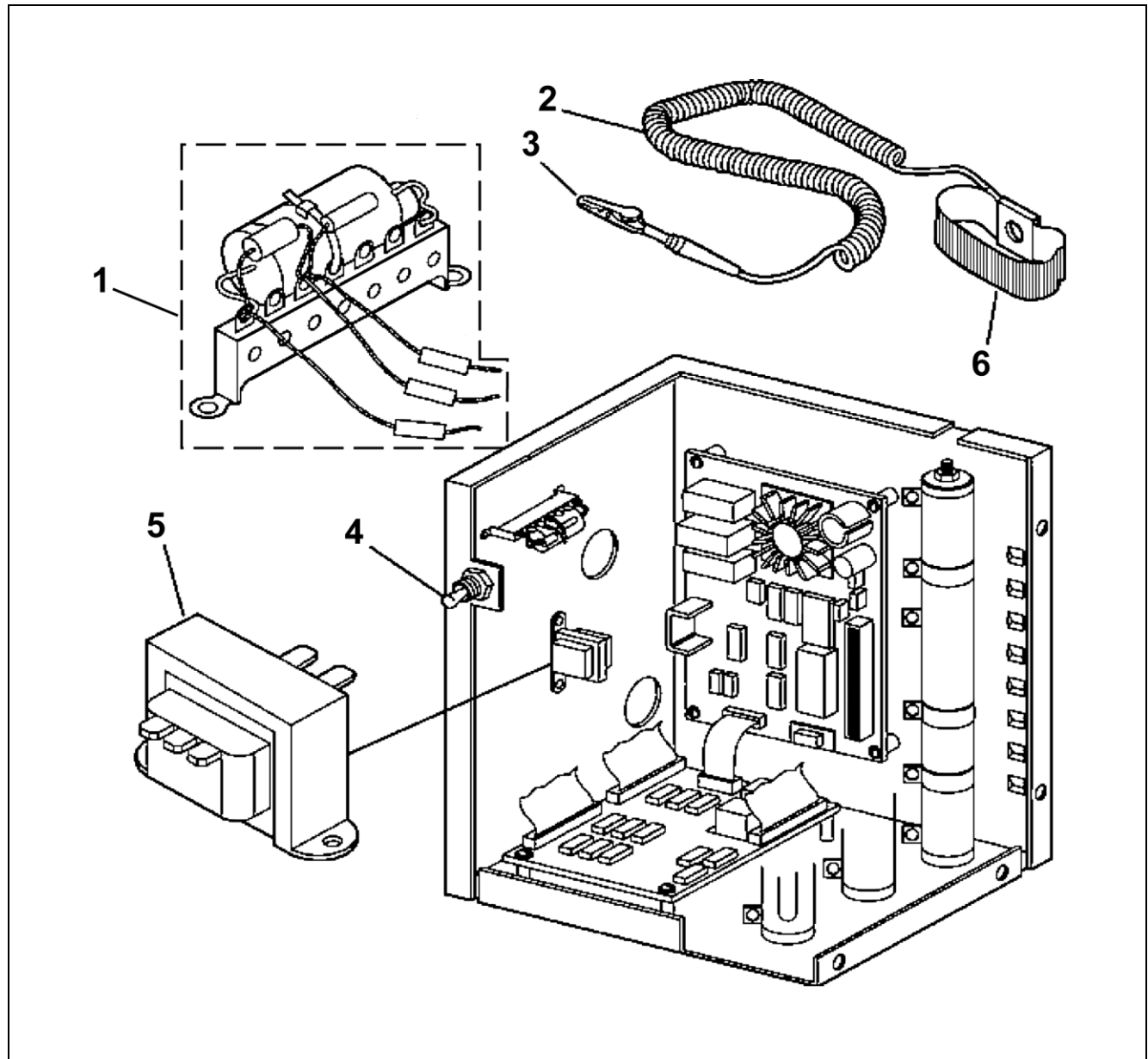


		<b>AAA24350B ABA24350B</b>	
<b>REF. No.</b>	<b>PART No.</b>	<b>DESCRIPTION</b>	
1	AAA617K102	Band, For 225 W Resistor	
	AAA617L101	Band, For 100 W Resistor	
2	2700CCB2	→	Kit: Resistor, Power, Variable, 250 Ω, 100 W, w/Adjustment Band and Through Bolt (DMFR1)
	JO232AS82	←	
	2700CCB1	→	Kit: Resistor, Power, Variable, 400–500 Ω, 225W, w/Adjustment Band and Through Bolt (DMR1)
	JO232AX21	←	
	JO232AX41	Kit: Resistor, Power, Variable, 400–500 Ω, 225 W, w/Adjustment Band and Through Bolt (DMR2)	
3	AAA617K11	Resistor, Power, Variable, 500 Ω, 225 W (DMR1, DMR2)	
	AAA617L13	Resistor, Power, Variable, 250 Ω, 100 W (DMFR1)	

# Door Control Subsystem

## W-OVL Operator

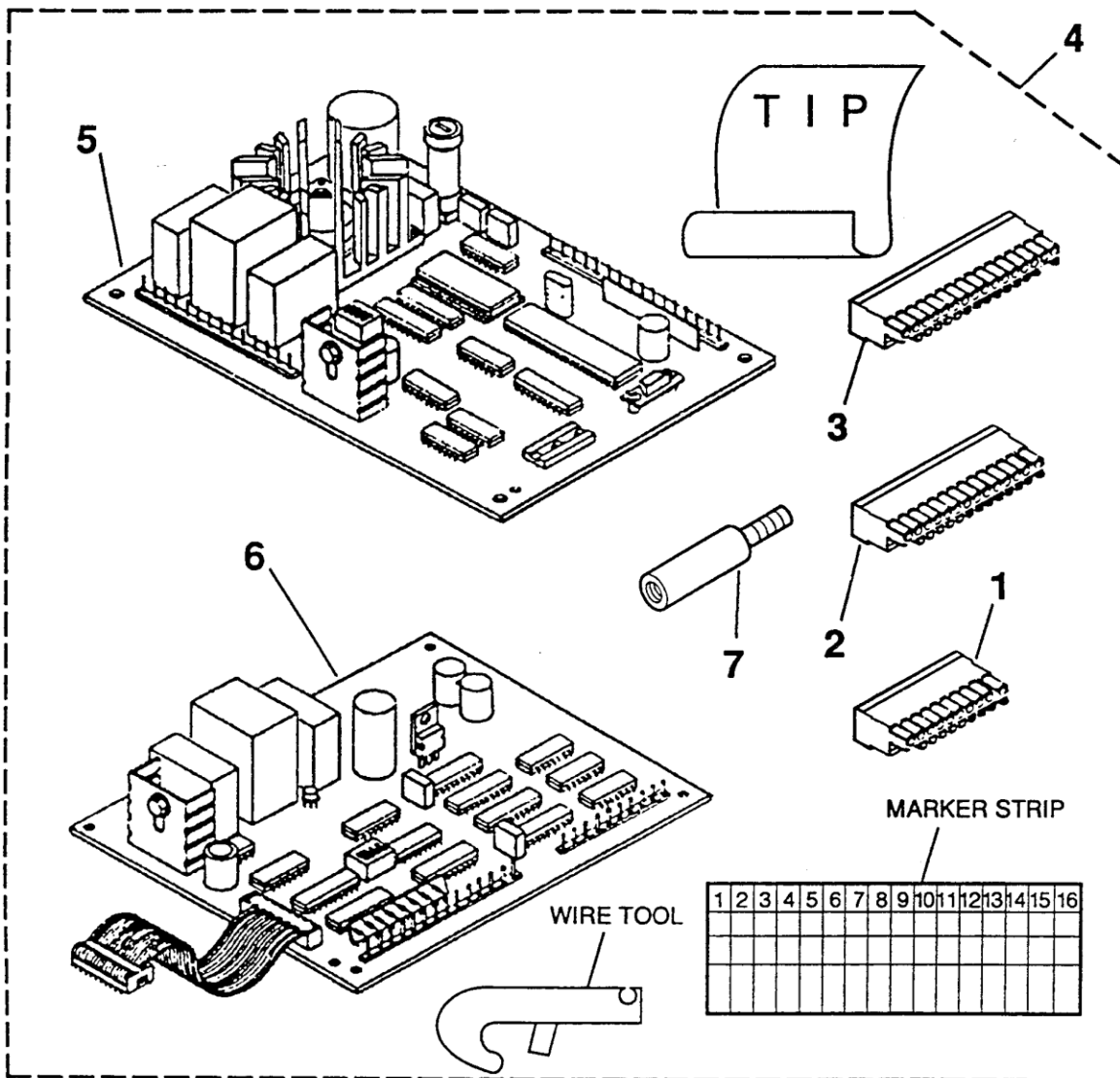
10-AAA24350B



AAA24350B ABA24350B		
REF. No.	PART No.	DESCRIPTION
1	AAA7145BV1	Assembly, Snubber Circuit
2	AAA174TC3	Cable, Grounding Strap
3	AAA176HG1	Clip, Alligator, Ground
4	177CN6	Switch, 4-Pole Single Throw, 10 A @ 250 V
5	AAA225GH1	Transformer, Power, 115 V Primary, 12 V Secondary
6	AAA750A1	Wrist Strap, Electrostatic Discharge

**10-AAA24350B**

# Door Control Subsystem W→OVL Operator



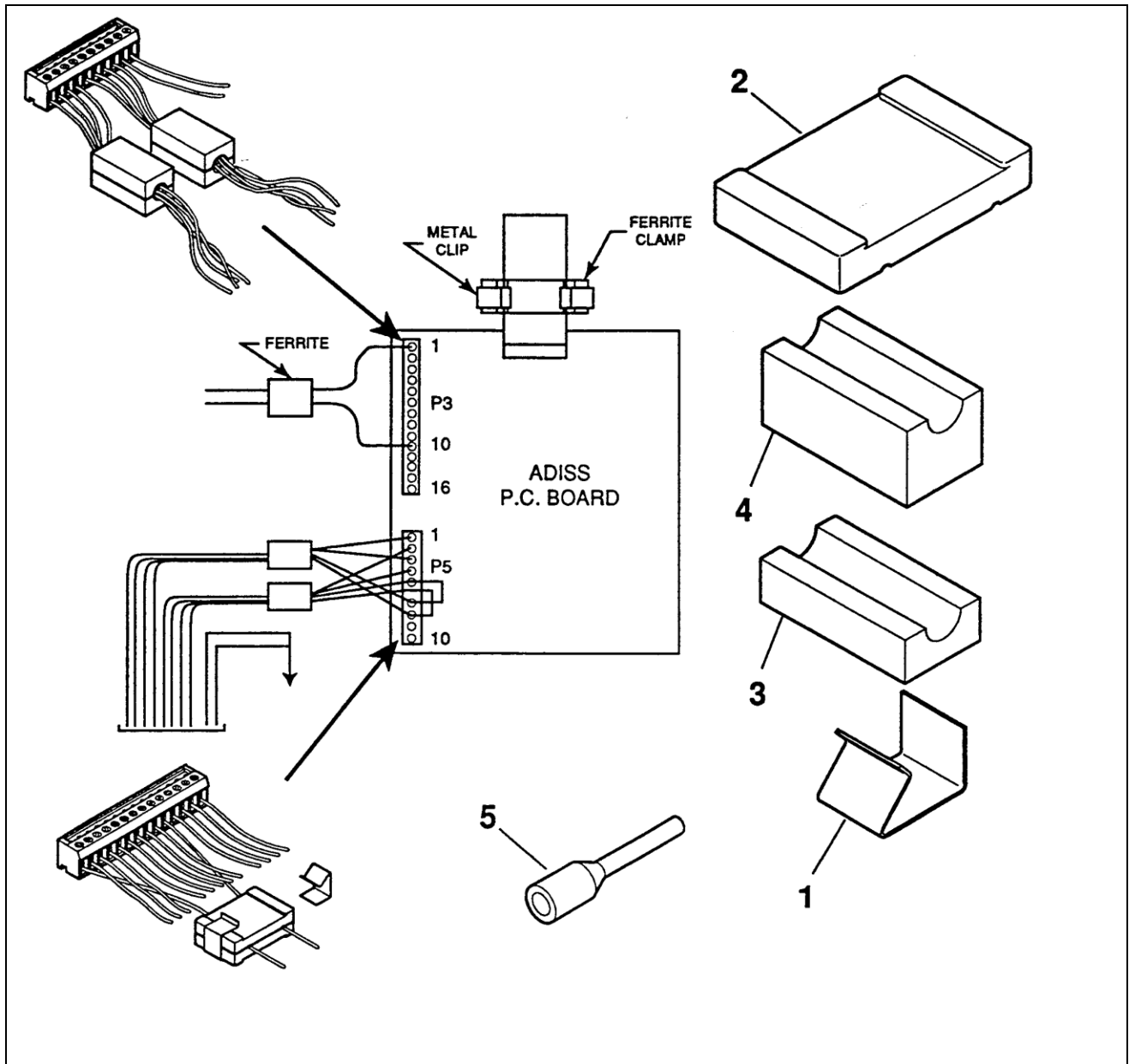
**AAA24350B  
ABA24350B**

REF. No.	PART No.	DESCRIPTION
1	AAA447AP24	Connector, 10-Pin
2	AAA447AP26	Connector, 14-Pin
3	AAA447AP27	Connector, 16-Pin
4	AAA24350X1	Kit, Upgrade, Door Control Subsystem: PC Boards, Connectors, Marker Strips, Wire Tool, Distance Piece, and TIP 31.3-4
5	C9693MB1	PC Board, Door Interface Subsystem
6	B9693MG1	PC Board, Alternate Door Interface Subsystem
7	354AG14	Standoff, 0.75 in. L, 6-32 Thread

# Door Control Subsystem

## W→OVL Operator

10-AAA24350B



AAA24350B ABA24350B		
REF. No.	PART No.	DESCRIPTION
1	AAA00234AAB004	Ferrite Bead, Clip, RFI Choke, 17.0 mm L
2	AAA00234AAB001	Ferrite Bead, Clamp, RFI Choke, 38.0 mm L
3	AAA00234AAB003	Ferrite Bead, RFI Choke, 15.0 mm L
4	AAA00234AAB002	Ferrite Bead, RFI Choke, 26.0 mm L
5	AAA378D13	Pin, Ferrule, Color: Blue (for 14 AWG wire)
	AAA378D3	Pin, Ferrule, Color: Yellow (for 18 AWG wire)