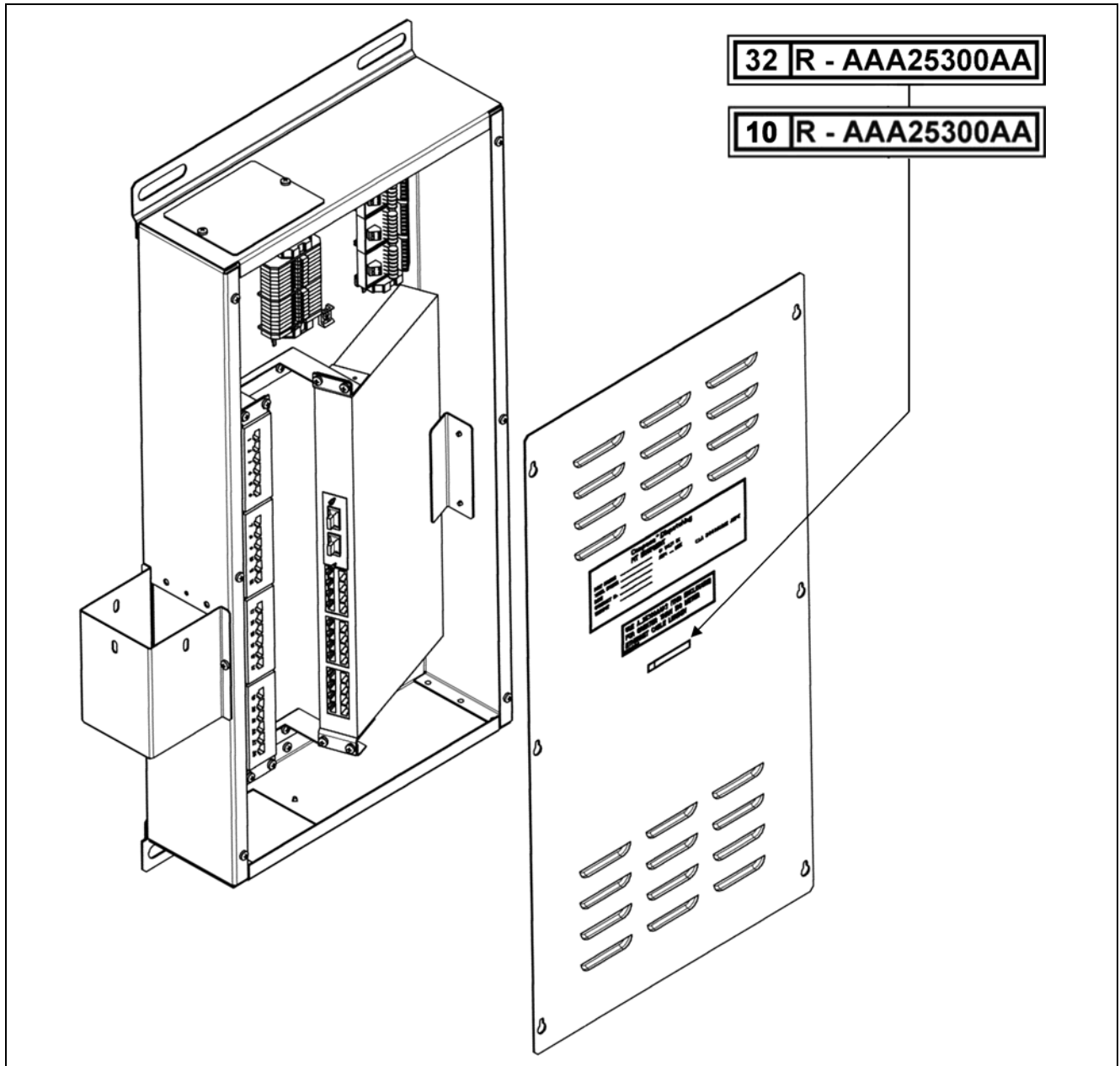


NGH Passenger
Interface: Compass[®]
24-Port Pit Box

Spare Parts Leaflet

10-AAA25300AA

September 17, 2014 / Page 1 of 5



OTIS

SERVICE ENGINEERING
Otis Elevator Company
Bloomfield, Connecticut USA

Unpublished Work—© Otis Elevator Co.; 2014

Leaflet Description

The Compass 24-port pit controller is required when the wire run from the Compass controller in the machine room to the Compass Destination Entry Computer (DEC) is greater than 100 meters. The 24-port pit controller contains components that interface DEC's not directly connected to the Compass controller to the elevator group Ethernet Network. There are typically at least two 24-port controllers mounted in the hoistway or pit per elevator group. Functionally this 24-port device distributes power limited Power over Ethernet (PoE) to a portion of the elevator group Ethernet Network. Each 24-port device will support up to 23 or 24 DEC(s) depending on application.

The AAA25300AA1 version of 24-port controller is used when its location is further than 100 meters from the Compass controller in the machine room (supports up to 24 DEC's). The AAA25300AA2 version is used when the wire run from the Compass controller is less than 100 meters and the Compass DEC's are located such that a direct run from the Compass controller would exceed 100 meters (supports up to 23 DEC's). Versions 3 & 4 have split power to the patch panel but are otherwise identical to 1 & 2 respectfully. AAA25300AA5 version has a 24-Port layer-3 Ethernet switch and is used to replace a redirector when security is required for a single elevator bank and no global DEC's.

Leaflet Revisions

Date Revised	Subject Matter Expert	Reason for Revision
August 15, 2008	Bennie Murah	Changed component code from 32 to 10; updated SPL to latest manufacturing configuration.
September 17, 2014	Bennie Murah	Updated Ref. 4 on p. 4 and Ref. 1 on p. 5

Related Drawings

Drawing No.	Title	Drawing No.	Title
AAA25300AA	NGH Passenger Interface Pit Enclosure	AAA29000AG	NGH Passenger Interface, System Level
AAA25300V, AAB25300V	NGH Passenger Interface Machine Room Equipment	AAA25300S, AAB25300S	NGH Passenger Interface Pit Enclosure
AAA25300Y	NGH Passenger Interface Redirector	---	---

(Continued on next page)

Related Documents

Document ID	Title
SPL 10-AAB25300V	NGH Passenger Interface, Machine Room Equipment
SPL 10-AAA25300Y	NGH Passenger Interface Compass Redirector

Subject Matter Expert

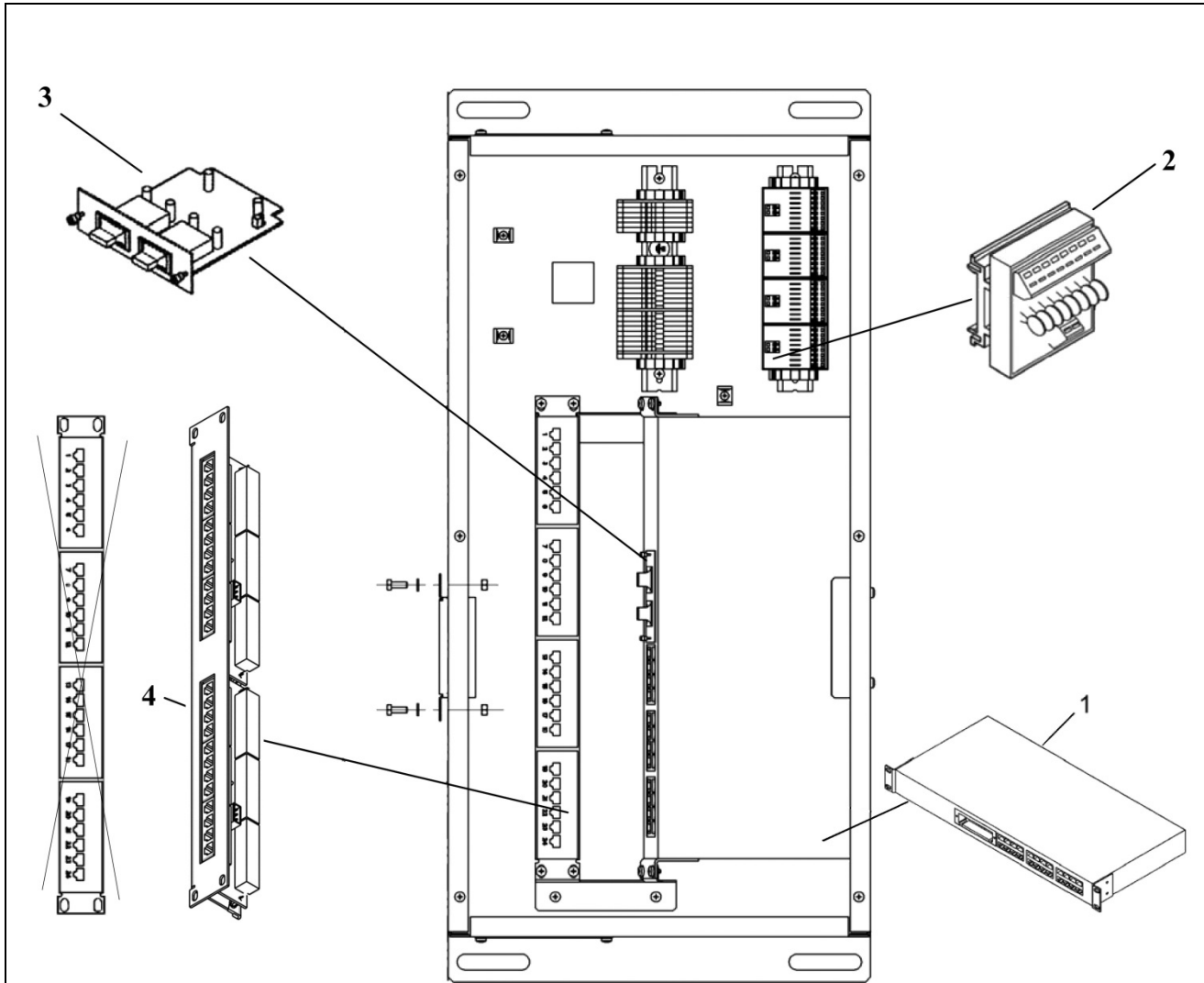
Name	Department
Bennie Murah	OECF

About Spare Parts Leaflets...

This document lists the lowest replaceable units (LRUs) for the standard version of the product. The LRUs are chosen by a team of Otis associates representing engineering and manufacturing.

While goal of this document is to make parts identification as easy as possible, the document cannot be all-inclusive. Elevator and escalator contracts classified as "special" or "custom" are not addressed here. For such contracts, please refer to specified information, the contract folder, TIPS, Field Education Articles, Construction Letters, etc. for further information.

If you have any suggestions about this document, please contact the subject matter expert listed on this page.



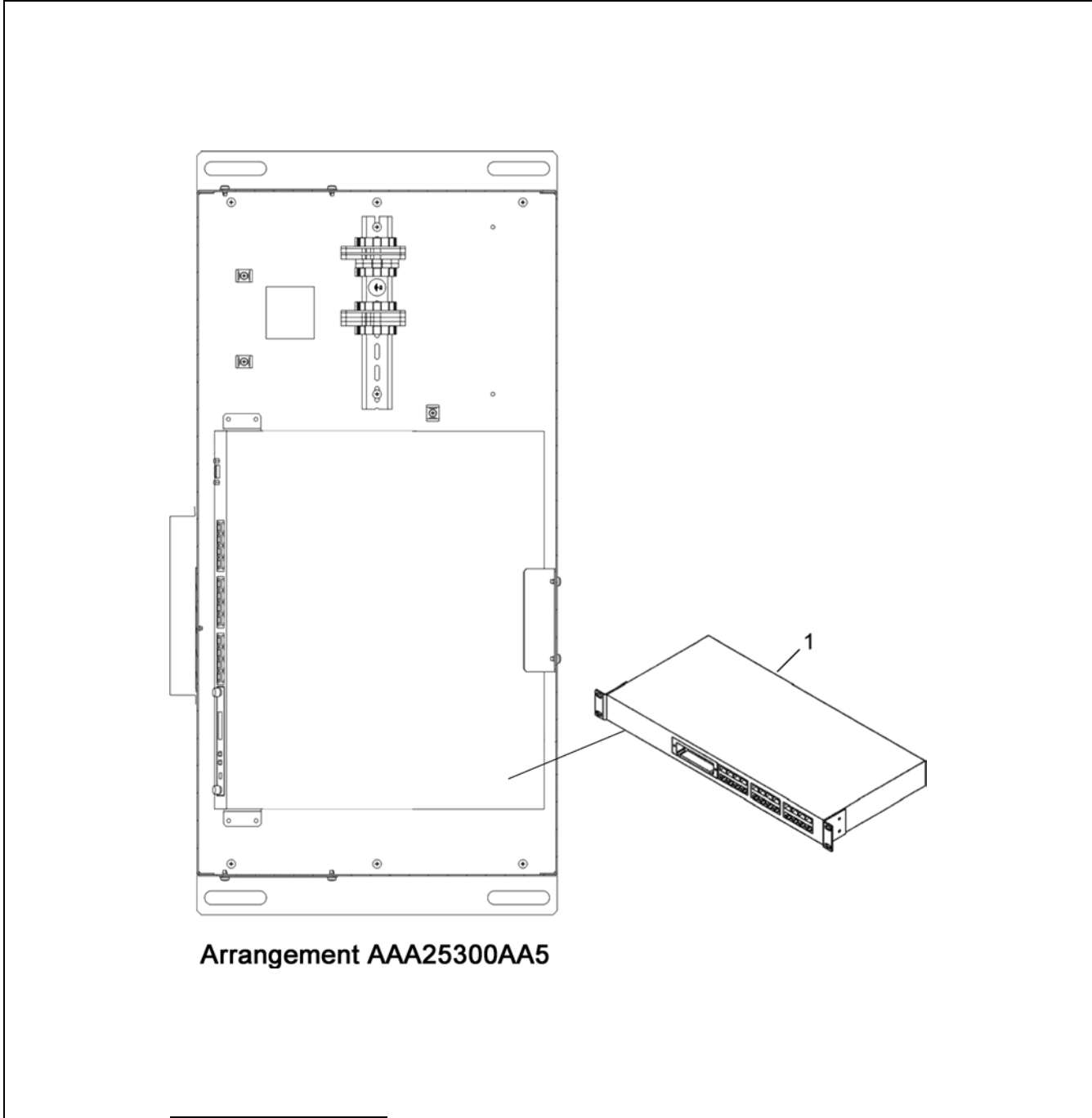
Arrangements AAA25300AA1/AA2/AA3/AA4

REF. No.	PART No.	DESCRIPTION
1	AAA21305BJ1	Computer, Ethernet Switch (modified for DC power)
2	AAA303EP207	Block, PTC Terminal Module
3	AAA639CR1	Computer, Fiber Optic Module
4	AAA447AR14	Panel, Patch, 24-Port, See NOTE 1
	AAA29502E3	Panel, Patch, Replacement Kit

NOTE 1: When replacing a p/n AAA447AR14 patch panel, the kit AAA29502E3 must be ordered. This replaces both items 2 and 4.

Ethernet Layer-3 Switch Computer

10-AAA25300AA



Arrangement AAA25300AA5

REF. No.	PART No.	DESCRIPTION
1	AAA639CT3 AAA639EA2	Computer, Ethernet Layer-3 Switch (Programmed as Switch A)