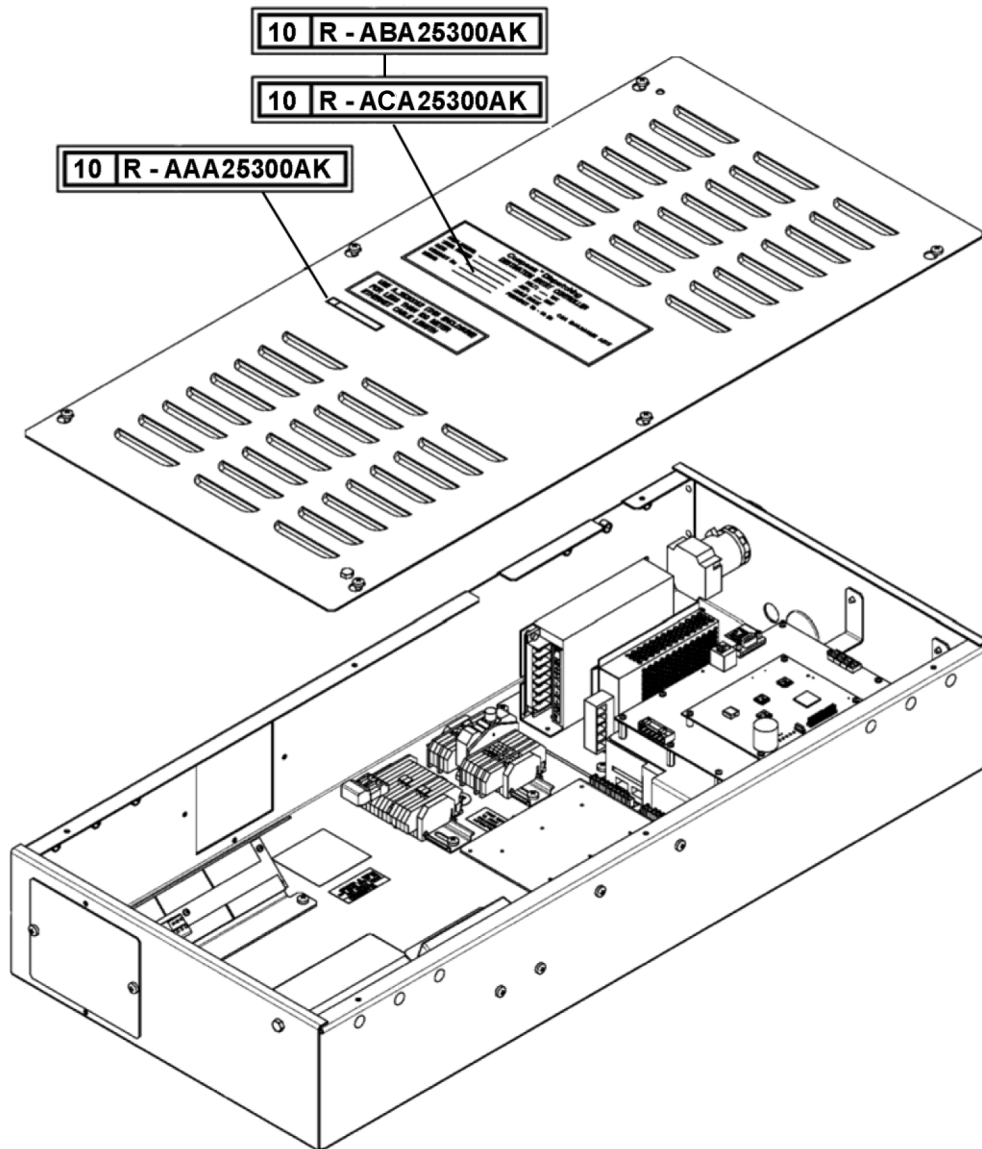


# Compass® Controller NGH Passenger Interface

**Spare Parts Leaflet**

**10-AAA25300AK**

**February 7, 2024 / Page 1 of 13**



# OTIS

This document does not contain any  
technical data subject to EAR or ITAR

**SERVICE ENGINEERING**

**Otis Elevator Company**

**Bloomfield, Connecticut USA**

Unpublished Work—© Otis Elevator Co.; 2024

**Leaflet Description**

The Compass® controller enclosure contains the group dispatcher board and software, along with the network components required to communicate to the input devices located throughout the building. The controller can be installed in the machine room floor or wall or in the hoistway off the rail. The controller is connected to the car controllers via the RS422 ring or CAN bus. Arrangements of the controller are used to supply extra power and Ethernet connections.

**Leaflet Revisions**

<b>Date Revised</b>	<b>Subject Matter Expert</b>	<b>Reason for Revision</b>
July 14, 2010	Bennie Murah	New SPL
April 20, 2011	Bennie Murah	pp 3, 4 swap ref. nos.. pp 3–5 part AAA621AN21 supersedes AAA621AN10 and added GoEntry®
September 17, 2014	Bennie Murah	Added support for AAA25300AK13 & AK14 (pp. 4 and 10)
September 14, 2016	Peter Depaola	Updated to include ABA vintage information
November 20, 2019	Paul Stranieri	Updated to include ABA25300AK17-23 (pp. 6, 7, and 8)
August 10, 2022	Paul Stranieri	Updated to include ACA25300AK24 on new p. 12
August 16, 2023	Paul Stranieri	Updated to include ACA25300AK25, 26 on new p. 13
February 7, 2024	Paul Stranieri	Updated to include AAA639EL3 and AAA21305EZ3.

**Related Drawings**

<b>Drawing No.</b>	<b>Title</b>	<b>Drawing No.</b>	<b>Title</b>
AAA29501H	Passenger Interface Touch Screen Keypad	AAA639CV AAA639DS XAA23505A	NGH Passenger Interface Keypad
XAA23505B	Passenger Interface Touchpad	AAA29501G AAA29501AA XAA23505C	Passenger Interface Touch Screen
AAA29000AG	NGH Passenger Interface, System Level	XAA23505D XAA23505E	Passenger Interface Pedestal small / large

**Related Documents**

<b>Document ID</b>	<b>Title</b>
SPL 40-AAA29000AG	NGH Passenger Interface, System Level SPL
SPL 10-AAA25300Y	NGH Passenger Interface, Redirector
SPL 10-AAA25300S	NGH Passenger Interface, 4-Port Pit Box

**Subject Matter Expert**

<b>Name</b>	<b>Department</b>
Paul Stranieri	Otis Engineering Center, Farmington

**About Spare Parts Leaflets...**

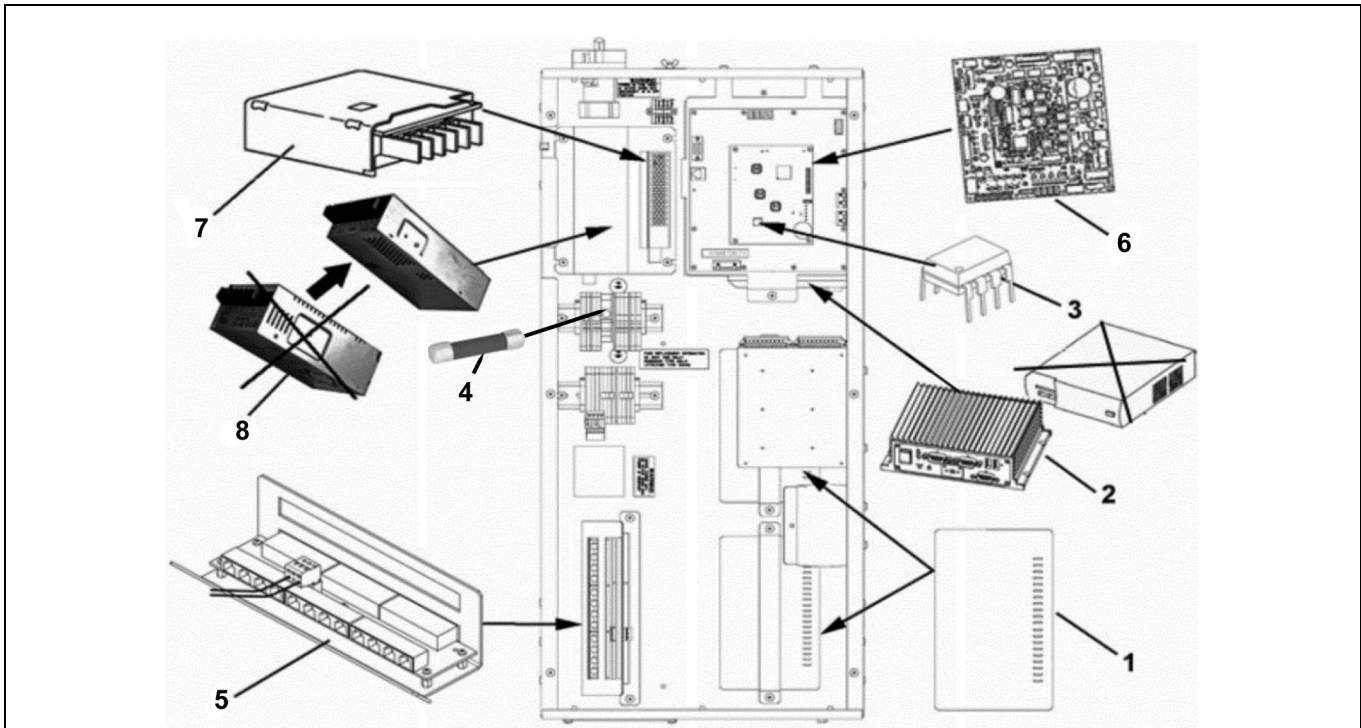
This document lists the lowest replaceable units (LRUs) for the standard version of the product. The LRUs are chosen by a team of Otis associates representing engineering and manufacturing.

While the goal of this document is to make parts identification as easy as possible, the document cannot be all-inclusive. Elevator and escalator contracts classified as "special" or "custom" are not addressed here. For such contracts, please refer to specified information, the contract folder, TIPs, Field Education Articles, Construction Letters, etc. for further information.

If you have any suggestions about this document, please contact the subject matter expert listed on this page.

**7-Port Controller, A\*\*25300AK1,  
12-Port Controller, A\*\*25300AK2**

**10-AAA25300AK**

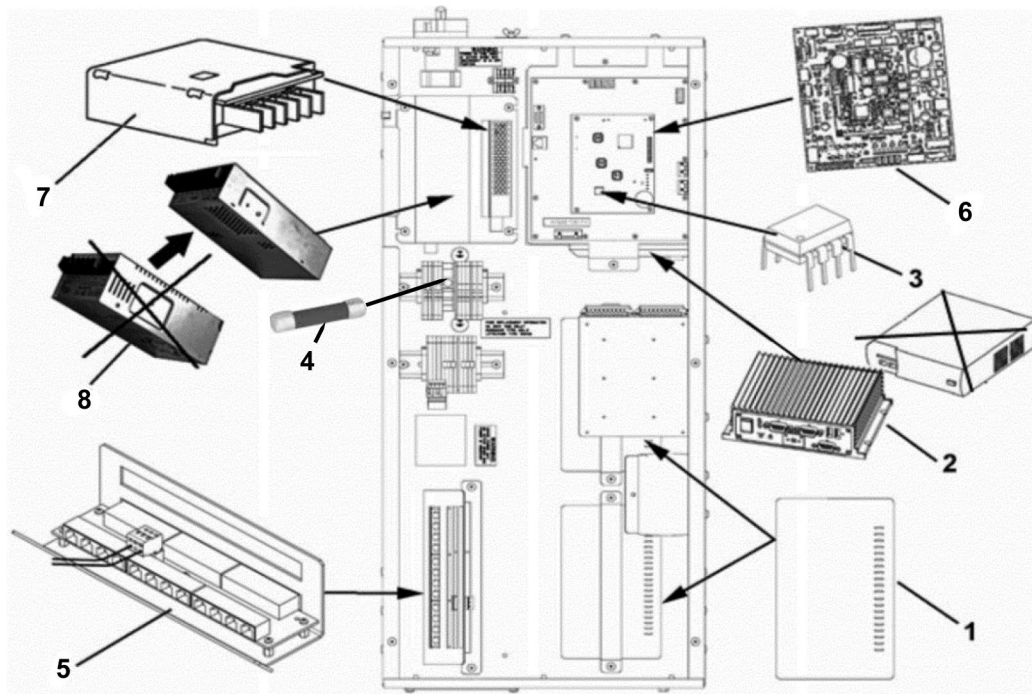


	<b>AAA25300AK</b>	<b>ABA25300AK ACA25300AK</b>	
<b>REF. No.</b>	<b>PART No.</b>		<b>DESCRIPTION</b>
1	AAA639DQ4 AAA639DQ2		Computer, Layer-2 8-Port Ethernet Switch
2	AAA639CS10 AAA639CS14 AAA639CS16 AAA639CS17		Computer, Server, 512 MB RAM (w/o compact flash) (includes USB flash drive AAA640P2 & USB extension cable AAA174CBV1)
3	AAA616NL31		EEPROM, 512K-Bit Serial (SPI bus), 8-Pin DIP (Blank), See TIP 1.1.22.1-1.
4	AAA375BR25		Fuse, 8 A, Time Delay
5	AAA29502F2		Patch Panel Assembly, Single
6	JEA26807CBN23 JFA26807CBN23	---	PC Board, GECB/GPCB-IO (RS422 Ring). See <b>NOTE 1</b> .
	JHA26807CBN23		PC Board, GECB-V2/GPCB-IO (RS422 Ring). See <b>NOTES 1 &amp; 2</b> .

**NOTE 1:** When replacing this PC board assembly, remove and retain the 8-pin socketed EEPROM (ref. 3) from the existing processor board or your contract data will be lost.

**NOTE 2:** The GECB-V2 requires AAA31362CAD or later software. If required to load software, contact OSC Customer Service.

**Continued on next page.**

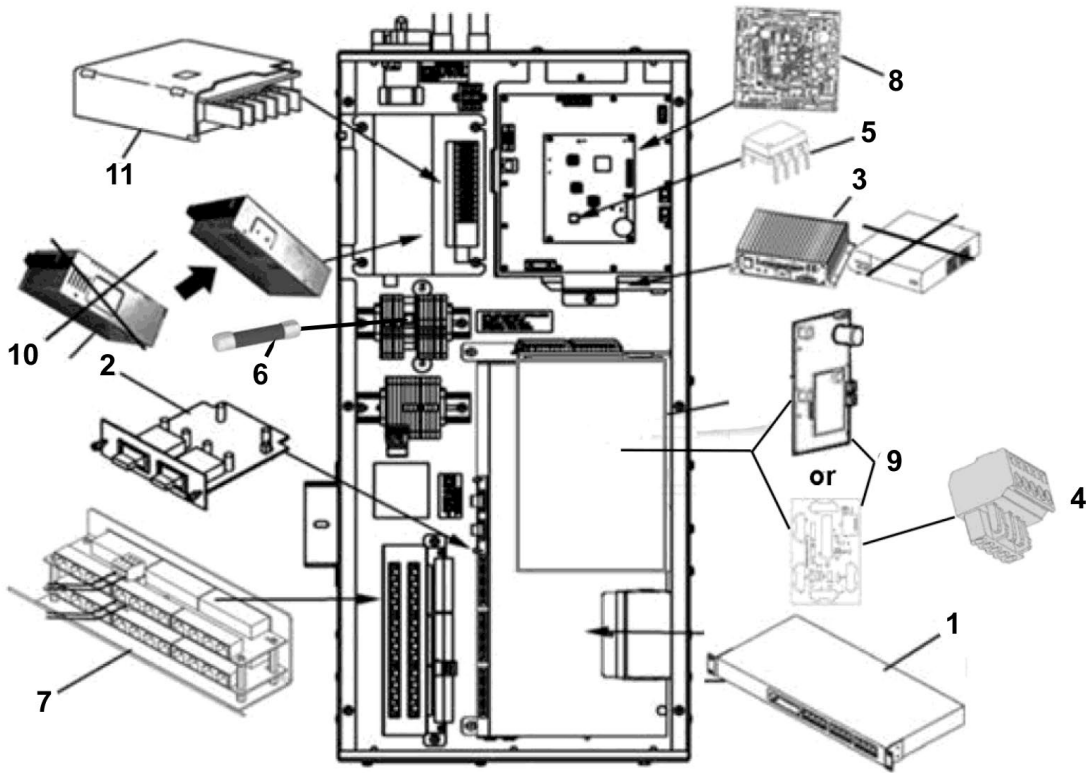


	<b>AAA25300AK</b>	<b>ABA25300AK ACA25300AK</b>		
<b>REF. No.</b>	<b>PART No.</b>		<b>DESCRIPTION</b>	
7	AAA621AN5	AAA621AN26	Power Supply, 5 V, 30 W	See <b>NOTE 3</b>
8	AAA621AN18	AAA621AN33	Power Supply, 48 V, 100 W (  7-port A**25300AK1)	
	AAA621AN10 AAA621AN21	AAA621AN32	Power Supply, 48 V, 300 W (  12-port A**25300AK2)	

**NOTE 3:** When replacing the AAA vintage power supplies, order new mounting plate p/n AAA105RD2 in addition to the replacement power supply.

**23-Port Controllers, A\*\*25300AK3-5**  
**GoEntry® Controller, A\*\*25300AK12**

**10-AAA25300AK**

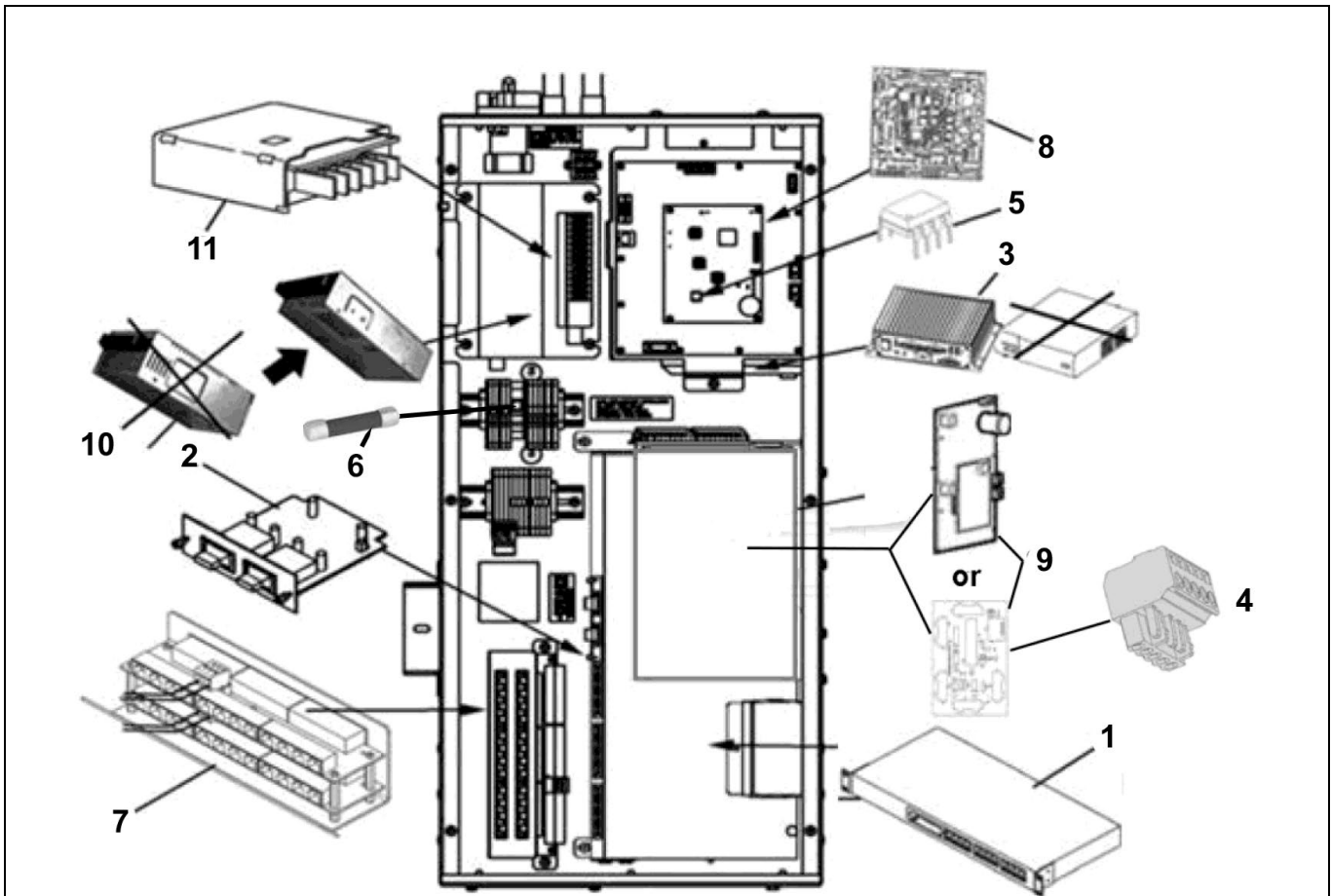


	<b>AAA25300AK</b>	<b>ABA25300AK ACA25300AK</b>	
<b>REF. No.</b>	<b>PART No.</b>		<b>DESCRIPTION</b>
1	AAA639CT1 AAA27076HK1	AAA639EL2 AAA639EL3-PROGRAMMED	Computer, 24-Port Ethernet Switch, see <b>NOTE 2</b>
2	AAA639CR1 See <b>NOTE 1</b>	AAA639CR3	Computer, Fiber Optic Module (  A**25300AK4 & AK5)
3		AAA639CS10 AAA639CS14 AAA639CS16 AAA639CS17	Computer, Server, 512 MB RAM (w/o compact flash) (includes USB flash drive AAA640P2 & USB extension cable AAA174CBV1)
4		GAA176HY5	Connector, 5-Circuit (  A**25300AK5)
5		AAA616NL31	EEPROM, 512K-Bit Serial (SPI bus), 8-Pin DIP (Blank), See TIP 1.1.22.1-1
6		AAA375BR25	Fuse, 8 A, Time Delay
7		AAA29502F1	Patch Panel Assembly, Double

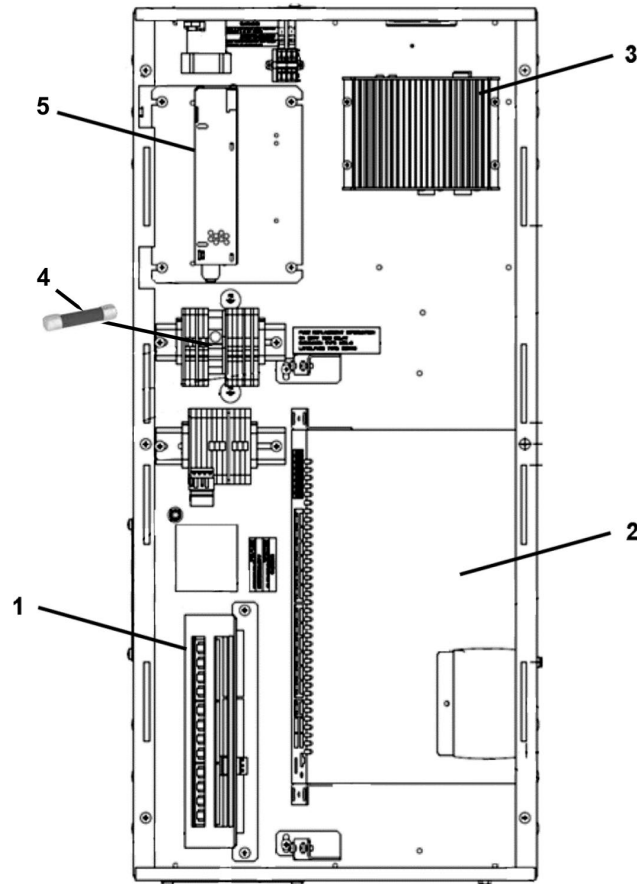
**NOTE 1:** If replacing AAA639CR1, order upgrade kits AAA27076HK5 (fiber optic) and AAA27076HK1 (switch).

**NOTE 2:** When ordering Ref. 1, provide contract no., contract name, and assembly p/n.

**Continued on next page.**



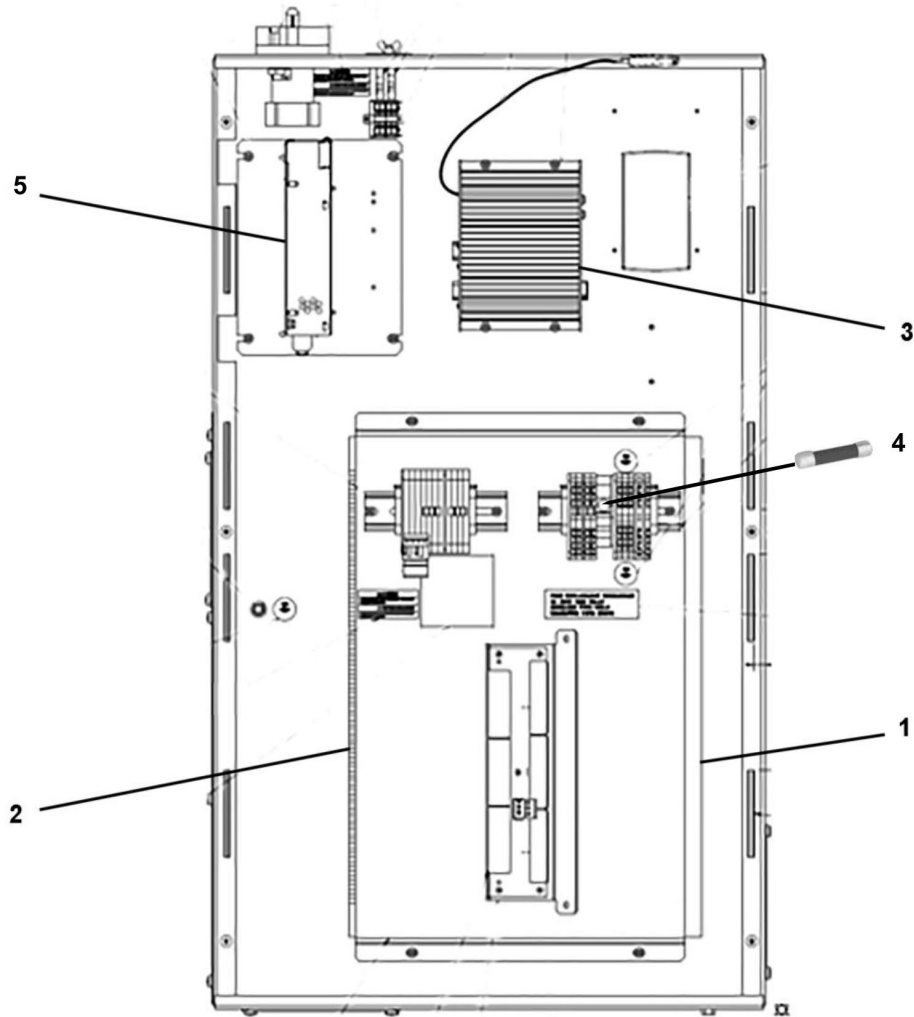
	AAA25300AK	ABA25300AK ACA25300AK			
REF. No.	PART No.		DESCRIPTION		
8	JEA26807CBN24 JFA26807CBN24	---	PC Board, GECB/GPCB-IO, See <b>NOTE 1</b> on p. 3	CAN Ring	☒ A**25300AK5
	---	JHA26807CBN24	PC Board, GECB-V2/GPCB-IO, See <b>NOTES 1 &amp; 2</b> on p. 3		
	JEA26807CBN23 JFA26807CBN23	---	PC Board, GECB/GPCB-IO, See <b>NOTE 1</b> on p. 3	RS422 Ring	☒ A**25300AK3, AK4 & AK12
	---	JHA26807CBN23	PC Board, GECB-V2/GPCB-IO See <b>NOTES 1 &amp; 2</b> on p. 3		
9	AAA21700AM1		PC Board, SP14 (☒ GoEntry®, A**25300AK12)		
	JAA26807BLB1		PC Board, CBTB, CAN Terminator (☒ A**25300AK5)		
10	AAA621AN10 AAA621AN21	AAA621AN32	Power Supply, 48 V, 300 W	See NOTE 3 on p. 4	
11	AAA621AN5	AAA621AN26	Power Supply, 5 V 30 W		



	AAA25300AK	ABA25300AK ACA25300AK	
REF. No.	PART No.		DESCRIPTION
1	---	AAA29502F2	Assembly, Patch Panel, Single
2	---	AAA639EA7	Computer, Layer-3 Ethernet Switch (W A**25300AK14)
	AAA639EA2 AAA27076HK2	AAA639EA8-PROGRAMMED AAA639EA15-PROGRAMMED	Computer, Layer-3 Ethernet Switch (W A**25300AK15, labeled "A"). See NOTE 2.
	AAA639EA3 AAA27076HK3	AAA639EA9-PROGRAMMED AAA639EA16-PROGRAMMED	Computer, Layer-3 Ethernet Switch (W A**25300AK16, labeled "B"). See NOTE 2.
3		AAA639CS10 AAA639CS14 AAA639CS16 AAA639CS17	Computer, Server, 512 MB RAM (w/o compact flash). See NOTE 1. (includes USB flash drive AAA640P2 & USB extension cable AAA174CBV1)
4		AAA375BR25	Fuse, 8 A, Time Delay
5	AAA621AN10 AAA621AN24	AAA621AN32	Power Supply, 48 V, 300 W. See NOTE 3 on p. 4

**NOTE 1:** Server in box "A" must be setup with IP address 192.168.10.250.  
Server in box "B" must be setup with IP address 192.168.20.250.

**NOTE 2:** When ordering Ref. 2, provide contract no., contract name, and assembly p/n.

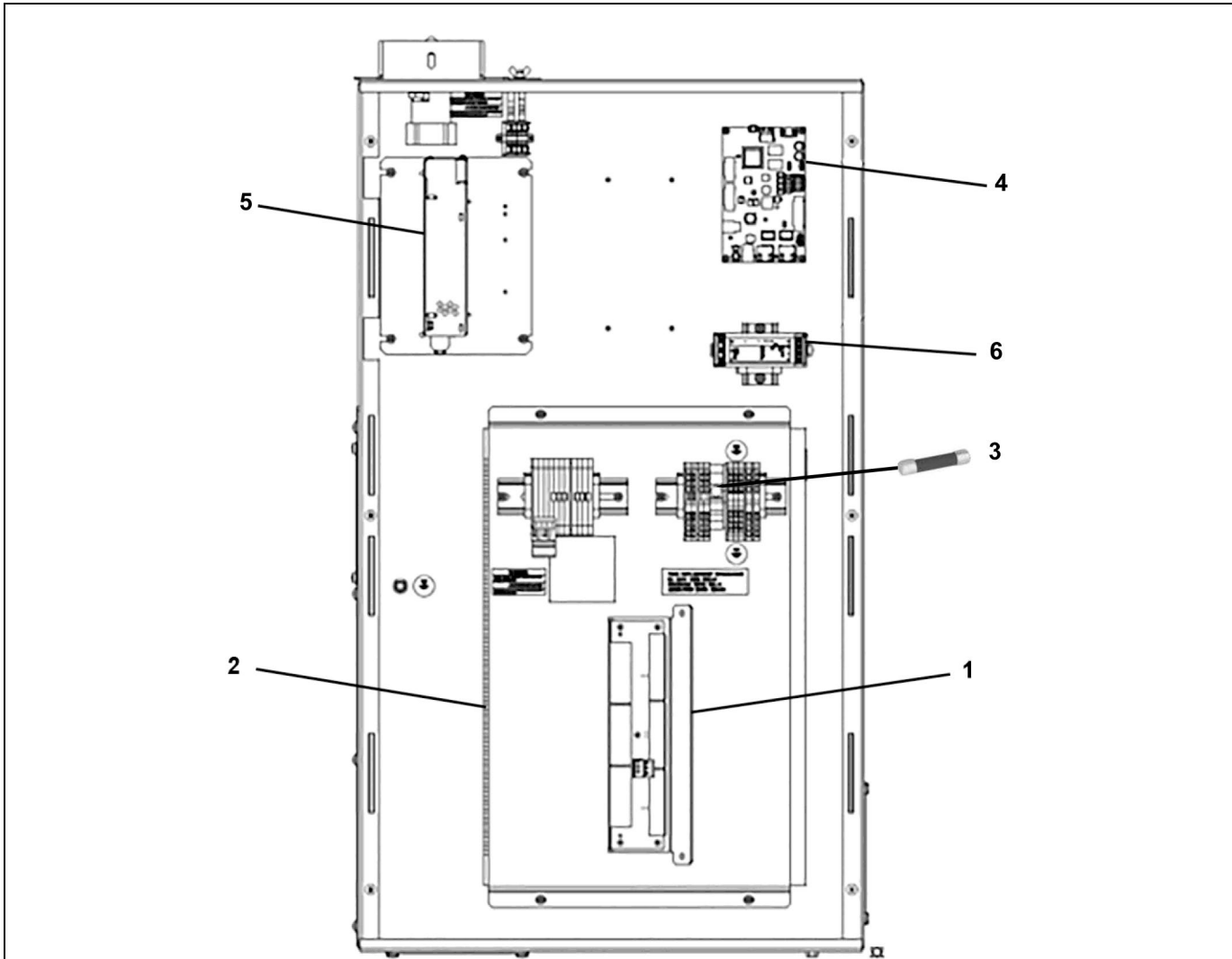


<b>AAA25300AK</b>	<b>ABA25300AK ACA25300AK</b>
-------------------	----------------------------------

<b>REF. No.</b>	<b>PART No.</b>		<b>DESCRIPTION</b>
1	---	AAA29502F1	Assembly, Patch Panel, Dual
2	---	AAA639EA12	Computer, Layer-3 Ethernet Switch (☒→ A**25300AK17, labeled "A")
	---	AAA639EA13	Computer, Layer-3 Ethernet Switch (☒→ A**25300AK18, labeled "B")
3	---	AAA639CS17	Computer, Server, 512 MB RAM (w/o compact flash) See <b>NOTE</b> (includes USB flash drive AAA640P2 & USB extension cable AAA174CBV1)
4	---	AAA375BR25	Fuse, 8 A, Time Delay
5	---	AAA621AN32	Power Supply, 48 V, 300 W

**NOTE:** Server in box "A" must be set up with IP address 192.168.30.250.  
 Server in box "B" must be set up with IP address 192.168.40.250.

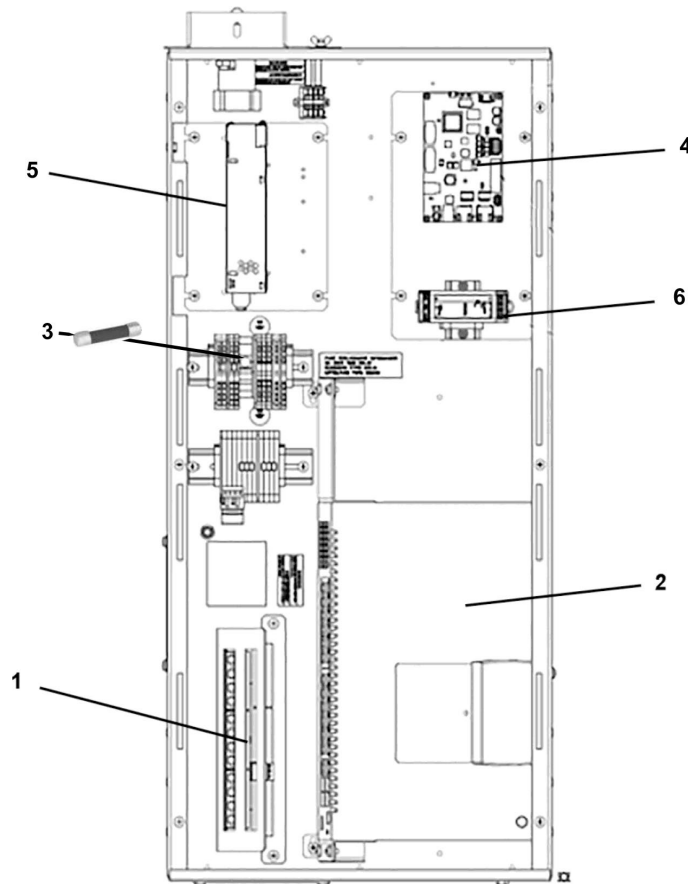




<b>AAA25300AK</b>	<b>ABA25300AK ACA25300AK</b>
-------------------	----------------------------------

REF. No.	PART No.		DESCRIPTION
1	---	AAA29502F1	Assembly Patch Panel, Dual
2	---	AAA639EA12	Computer, Layer-3 Ethernet Switch (W→ A**25300AK19, labeled "A")
	---	AAA639EA13	Computer, Layer-3 Ethernet Switch (W→ A**25300AK20, labeled "B")
3	---	AAA375BR25	Fuse, 8 A, Time Delay
4	---	GAA26800SG3	PCB Assembly, Server, See <b>NOTE</b>
5	---	AAA621AN32	Power Supply, 48 V, 300 W
6	---	AAA621AT27	Power Supply, 24 V, 60 W

**NOTE:** Server in box "A" must be set up with IP address 192.168.30.250.  
 Server in box "B" must be set up with IP address 192.168.40.250



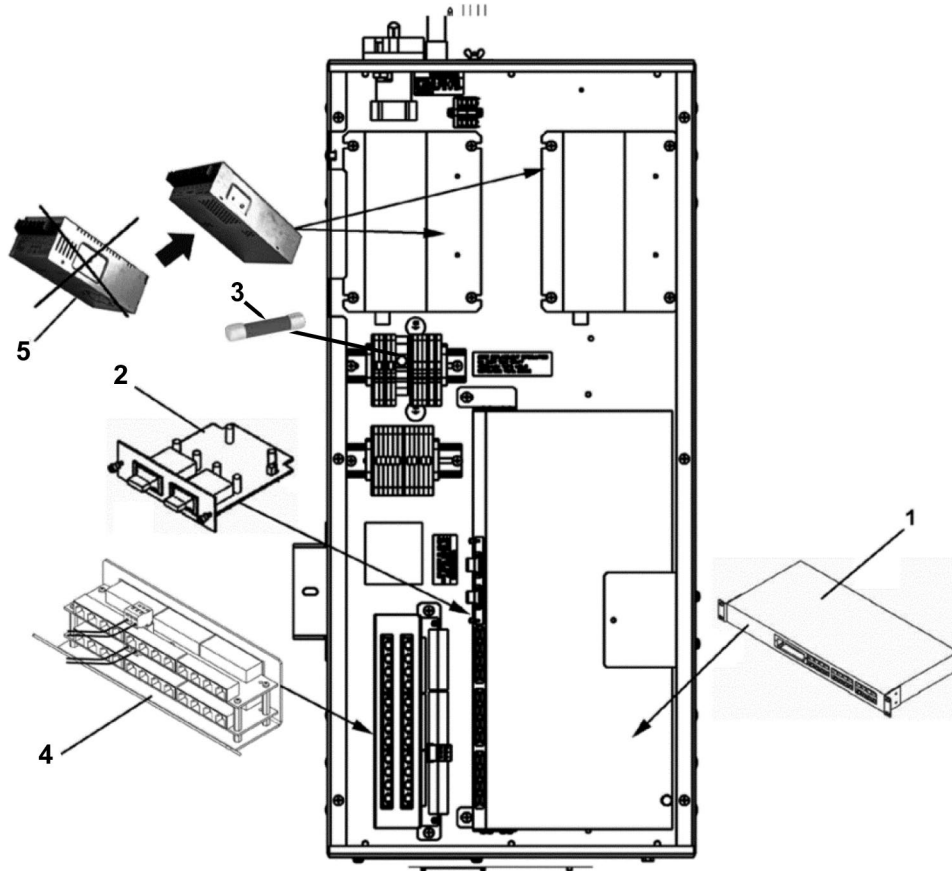
	<b>AAA25300AK</b>	<b>ABA25300AK ACA25300AK</b>	
<b>REF. No.</b>	<b>PART No.</b>		<b>DESCRIPTION</b>
1	AAA29502F2		Assembly, Patch Panel, Single
2	---	AAA639EA7	Computer, Layer-3 Ethernet Switch ( <input checked="" type="checkbox"/> A**25300AK21)
	---	<del>AAA639EA8-PROGRAMMED</del> AAA639EA15-PROGRAMMED	Computer, Layer-3 Ethernet Switch ( <input checked="" type="checkbox"/> A**25300AK22, labeled "A"), See <b>NOTE 2</b> .
	---	<del>AAA639EA9-PROGRAMMED</del> AAA639EA16-PROGRAMMED	Computer, Layer-3 Ethernet Switch ( <input checked="" type="checkbox"/> A**25300AK23, labeled "B"), See <b>NOTE 2</b> .
3	---	AAA375BR25	Fuse, 8 A, Time Delay
4	---	GAA26800SG3-C360	PCB Assembly, Server. See <b>NOTES 1 &amp; 2</b> .
5	---	AAA621AN32	Power Supply, 48 V, 300 W
6	---	AAA621AT27	Power Supply, 24 V, 60 W

**NOTE 1:** Server in box "A" IP address 192.168.10.250. Server in box "B" IP address 192.168.20.250.

**NOTE 2:** When ordering Ref. 2 or 4, provide contract no., contract name, and assembly p/n.

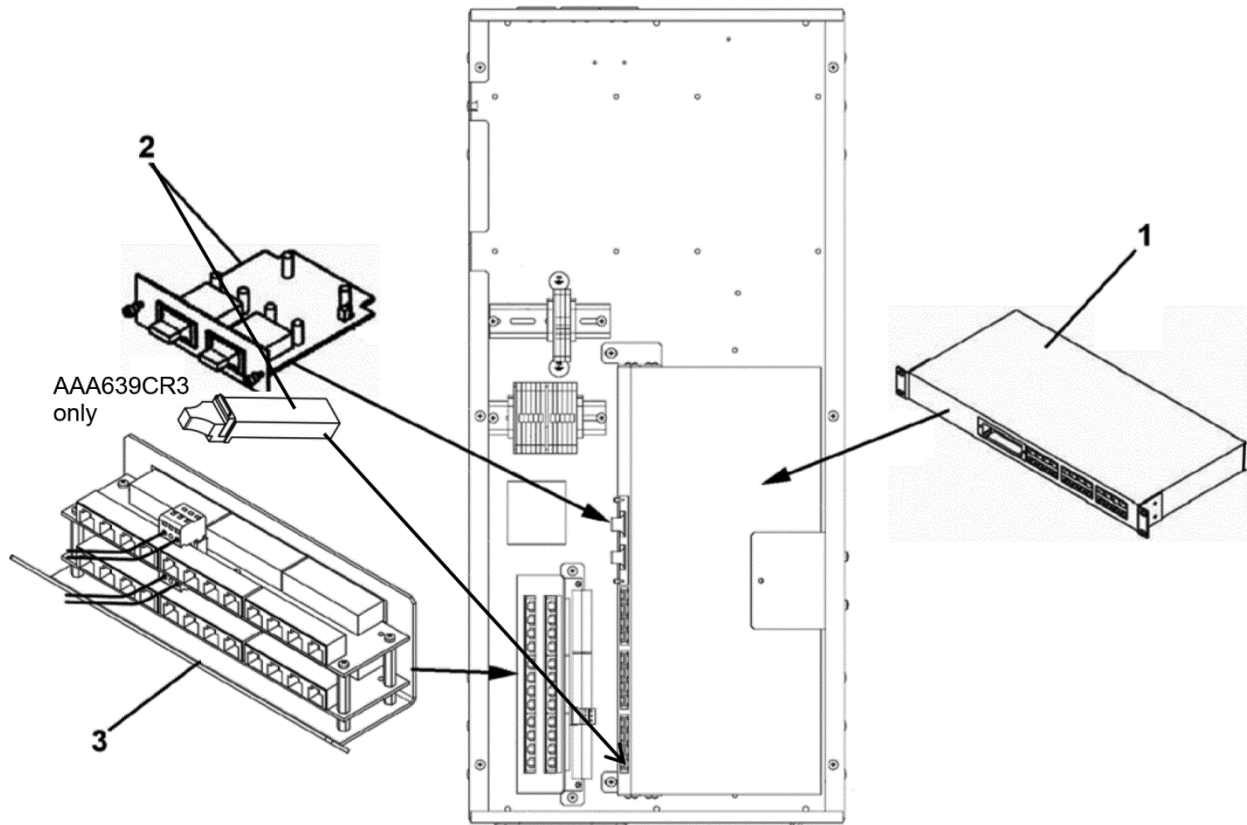
# 23-Port Auxiliary Controllers, A\*\*25300AK6, 7

**10-AAA25300AK**



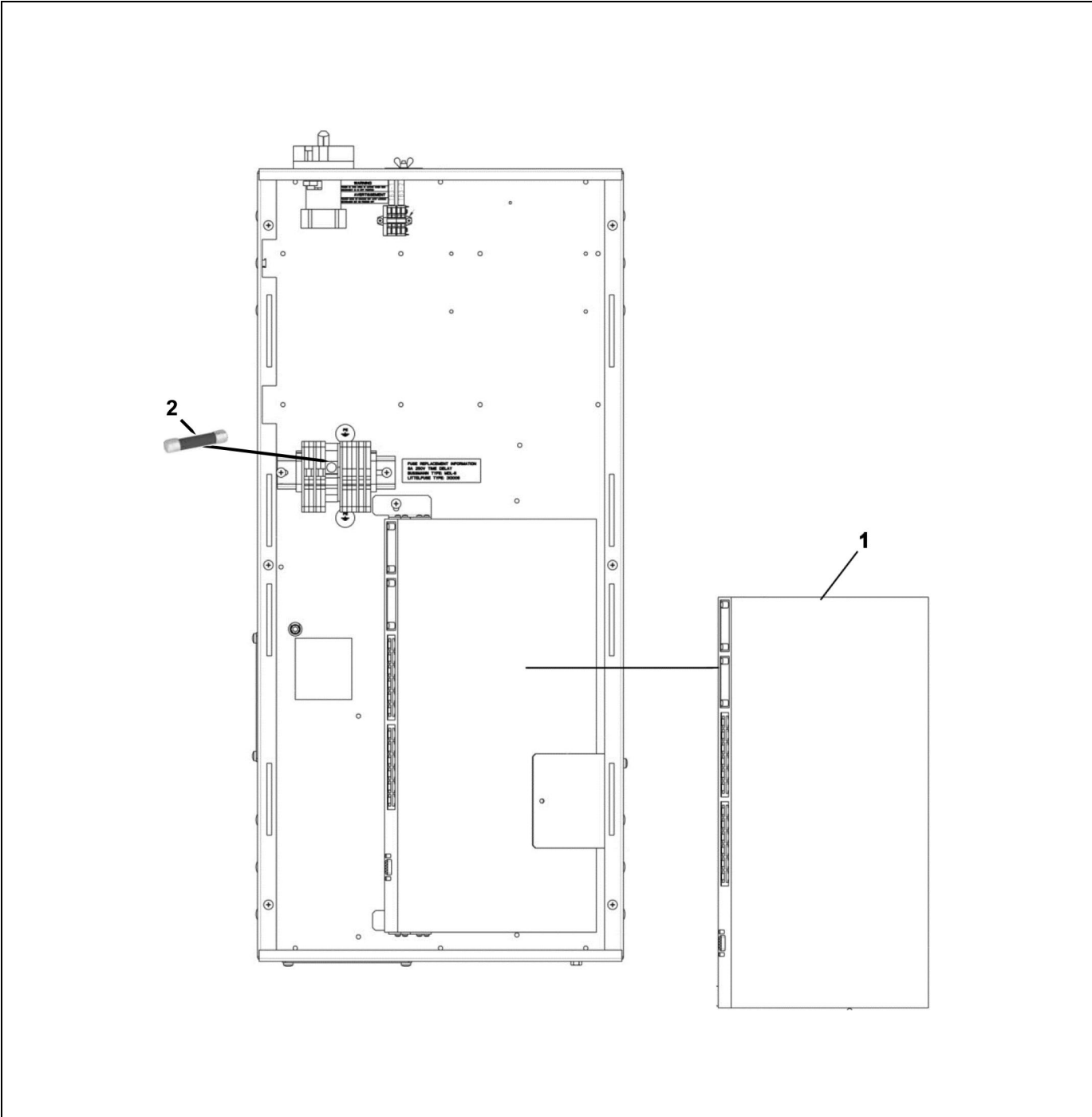
	<b>AAA25300AK</b>	<b>ABA25300AK ACA25300AK</b>	
<b>REF. No.</b>	<b>PART No.</b>		<b>DESCRIPTION</b>
1	AAA639CT1 AAA27076HK1	AAA639EL2 AAA639EL3-PROGRAMMED	Computer, 24-Port Ethernet Switch. See <b>NOTE 1</b> .
2	AAA639CR1 See NOTE 1 on p. 4	AAA639CR3	Computer, Fiber Optic Module
3	AAA375BR25		Fuse, 8 A, Time Delay
4	AAA29502F1		Patch Panel Assembly, Double
5	AAA621AN10 AAA621AN24	AAA621AN32	Power Supply, 48 V, 300 W. See <b>NOTE 3</b> on p. 4.

**NOTE 1:** When ordering Ref. 1, provide contract no., contract name, and assembly p/n.



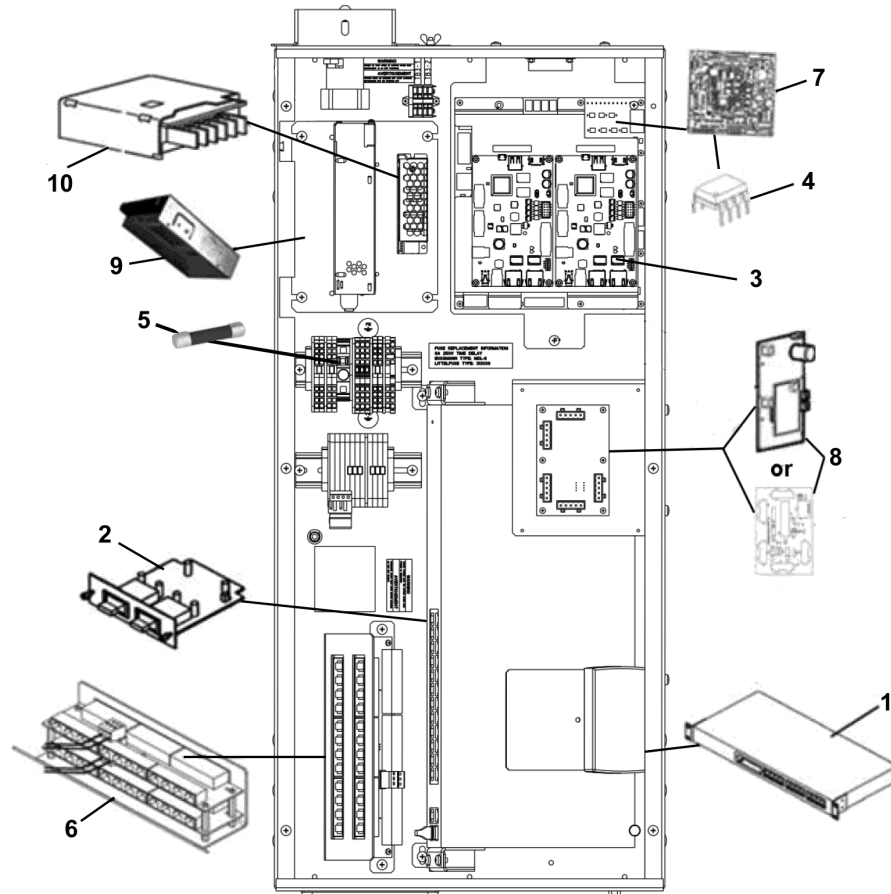
	<b>AAA25300AK</b>	<b>ABA25300AK ACA25300AK</b>	
<b>REF. No.</b>	<b>PART No.</b>		<b>DESCRIPTION</b>
1	AAA21305BJ1 AAA27076HK4	AAA21305EZ2 AAA21305EZ3-PROGRAMMED	Computer, 24-Port Ethernet Switch (modified for DC power). See <b>NOTE 1</b> .
2	AAA639CR1 See <b>NOTE 1</b> on. p. 4	AAA639CR3	Computer, Fiber Optic Module (W) 24-port controller A**25300AK8 & AK10)
3	AAA29502F1		Patch Panel Assembly, Double (W) A**25300AK3-12)

**NOTE 1:** When ordering Ref. 1, provide contract no., contract name, and assembly p/n.



REF. No.	PART No.	DESCRIPTION
	<b>AAA25300AK</b>	<b>ABA25300AK</b> <b>ACA25300AK</b>
1	AAA639EA2 AAA27076HK2	AAA639EA8-PROGRAMMED AAA639EA15-PROGRAMMED
2	AAA375BR25	

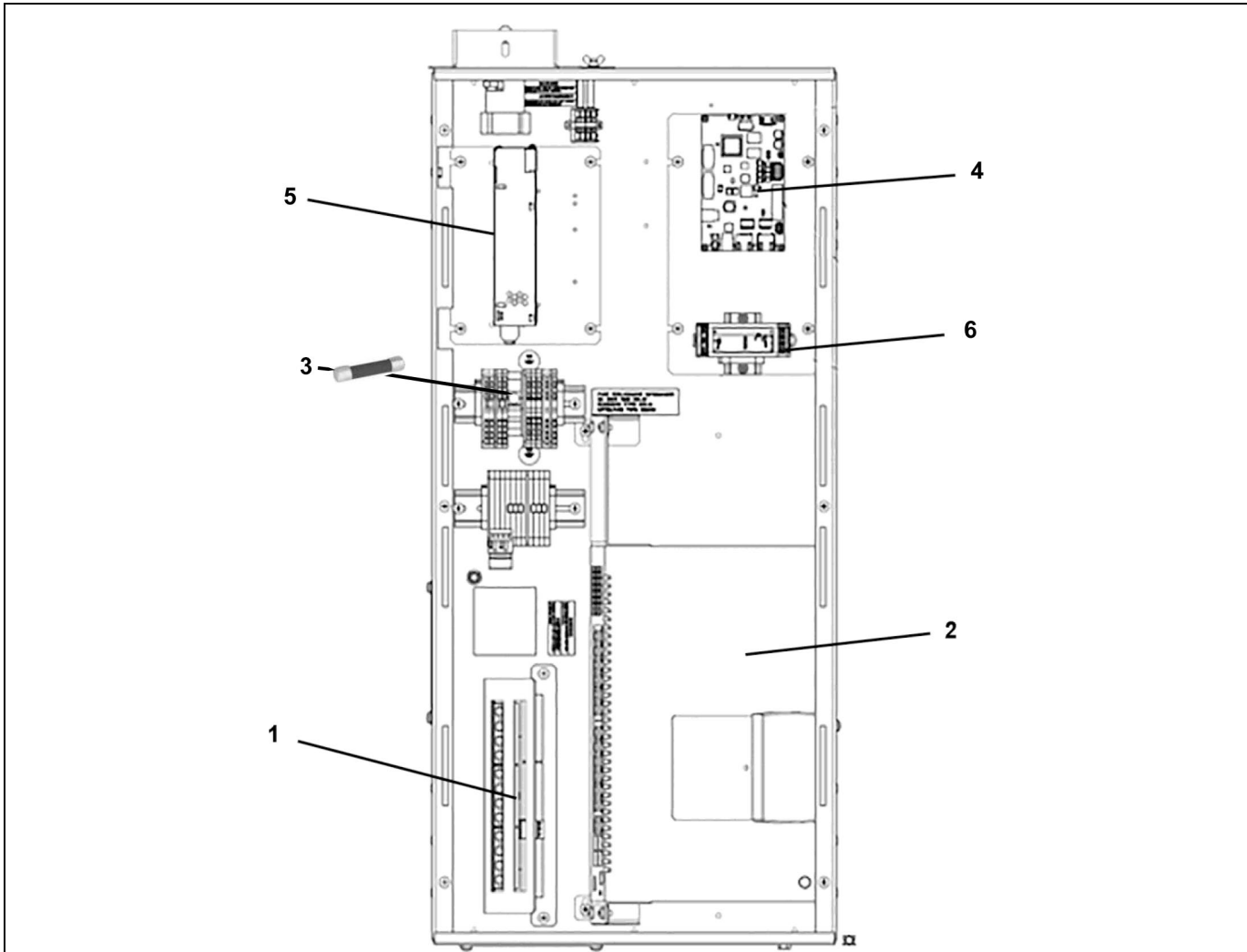
**NOTE 1:** When ordering Ref. 1, provide contract no., contract name, and assembly p/n.



ACA25300AK			
REF. No.	PART No.	DESCRIPTION	
1	AAA639EL2 AAA639EL3-PROGRAMMED	Computer, 24-Port Ethernet Switch See <b>NOTE 1</b> .	
2	AAA639CR3	Computer, Fiber Optic Module (optional)	
3	GAA26800SG3-C360, -EGIS	Computer, Server, EGIS. See <b>NOTE 1</b> .	
4	AAA616NL31	EEPROM, 512K-Bit Serial (SPI bus), 8-Pin DIP (Blank). See TIP 1.1.22.1-1.	
5	AAA375BR25	Fuse, 8 A, Time Delay	
6	AAA29502F1	Patch Panel Assembly, Double	
7	JHA26807CBN19	PC Board, GECB/GPCB-IO. See <b>NOTE 2</b> .	CAN/RING
8	JAA26807BLB1	PC Board, CBTB, CAN Terminator (optional)	
9	AAA621AN32	Power Supply, 48 V, 300 W	
10	AAA621AN47	Power Supply, 24 V 75 W	

**NOTE 1:** When ordering Ref. 1 or 3, provide contract no., contract name, and assembly p/n.

**NOTE 2:** The GECB-V2 requires AAA31362CAD or later software. If required to load software, contact OSC Customer Service.



<b>ACA25300AK</b>		
<b>REF. No.</b>	<b>PART No.</b>	<b>DESCRIPTION</b>
1	AAA29502F2	Assembly, Patch Panel, Single
2	<del>AAA639EA8-PROGRAMMED</del> AAA639EA15-PROGRAMMED	Computer, Layer-3 Ethernet Switch (W) A**25300AK25, labeled "A". See <b>NOTE 2</b> .
	<del>AAA639EA9-PROGRAMMED</del> AAA639EA16-PROGRAMMED	Computer, Layer-3 Ethernet Switch (W) A**25300AK26, labeled "B". See <b>NOTE 2</b> .
3	AAA375BR25	Fuse, 8 A, Time Delay
4	GAA26800SG3-C360	PCB Assembly: Server (on bottom), Super Group (on Top). See <b>NOTES 1 &amp; 2</b> .
5	AAA621AN32	Power Supply, 48 V, 300 W
6	AAA621AT27	Power Supply, 24 V, 60 W

**NOTE 1:** Server in box "A" IP address 192.168.10.250. Super Group in box "A" IP address 192.168.10.248.  
Server in box "B" IP address 192.168.20.250. Super Group in box "B" IP address 192.168.20.248.

**NOTE 2:** When ordering Ref. 2 or 4, provide contract no., contract name, and assembly p/n.