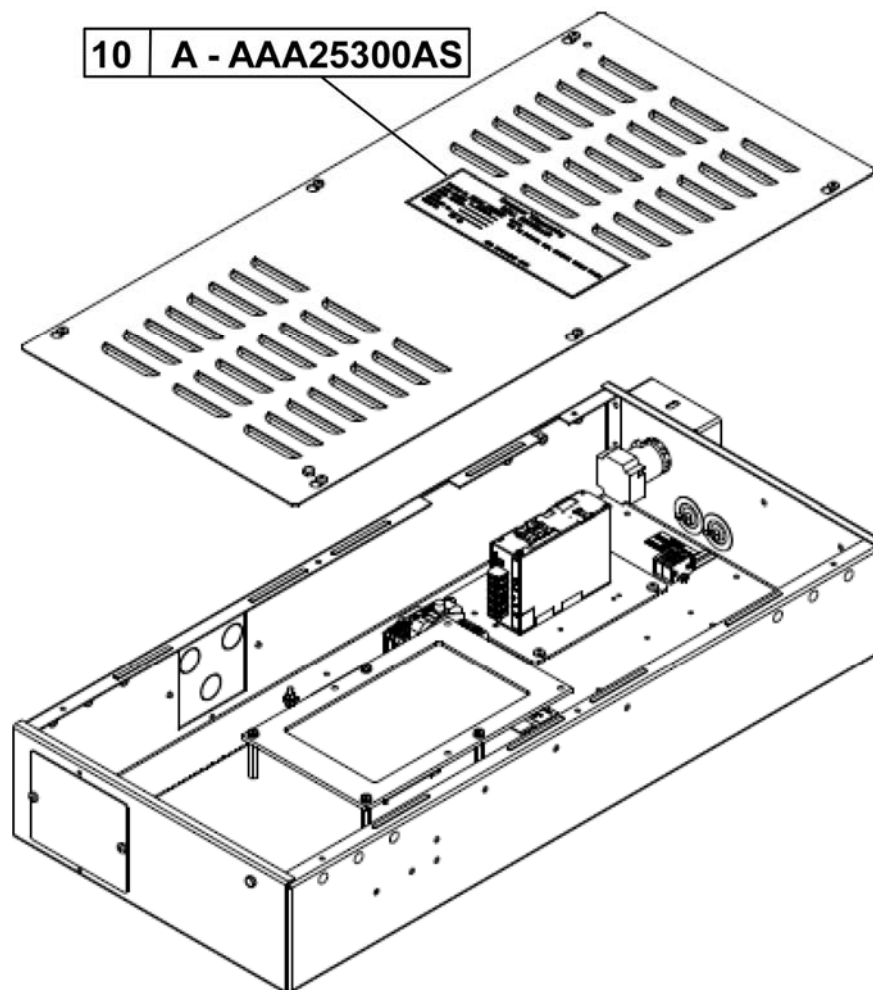


eCall[®] Controller
Passenger Interface

Spare Parts Leaflet
10-AAA25300AS

September 5, 2018 / Page 1 of 3



OTIS

SERVICE ENGINEERING
Otis Elevator Company
Bloomfield, Connecticut USA

Unpublished Work—© Otis Elevator Co.; 2018

Leaflet Description

The eCall® controller enclosure contains the Mobile bridge and software, along with the network components required to communicate to the installed CompassPlus System and eCall Cloud Server. The controller can be installed in the machine room floor or wall or in the hoistway off the rail. The controller is connected to the CompassPlus controller via Ethernet. Arrangements of the controller are used to supply an internet connection, Redirector Server functionality, and a Layer-3 Ethernet Switch.

Leaflet Revisions

Date Revised	Subject Matter Expert	Reason for Revision
September 5, 2018	Kelly Dubois Brad Scoville Sam Wong	New SPL

Related Drawings

Drawing No.	Title	Drawing No.	Title
AAA29000AG	eCall, System Level		

Related Documents

Document ID	Title
SPL 40-AAA25300AK	Compass® Controller NGH Passenger Interface

Subject Matter Expert

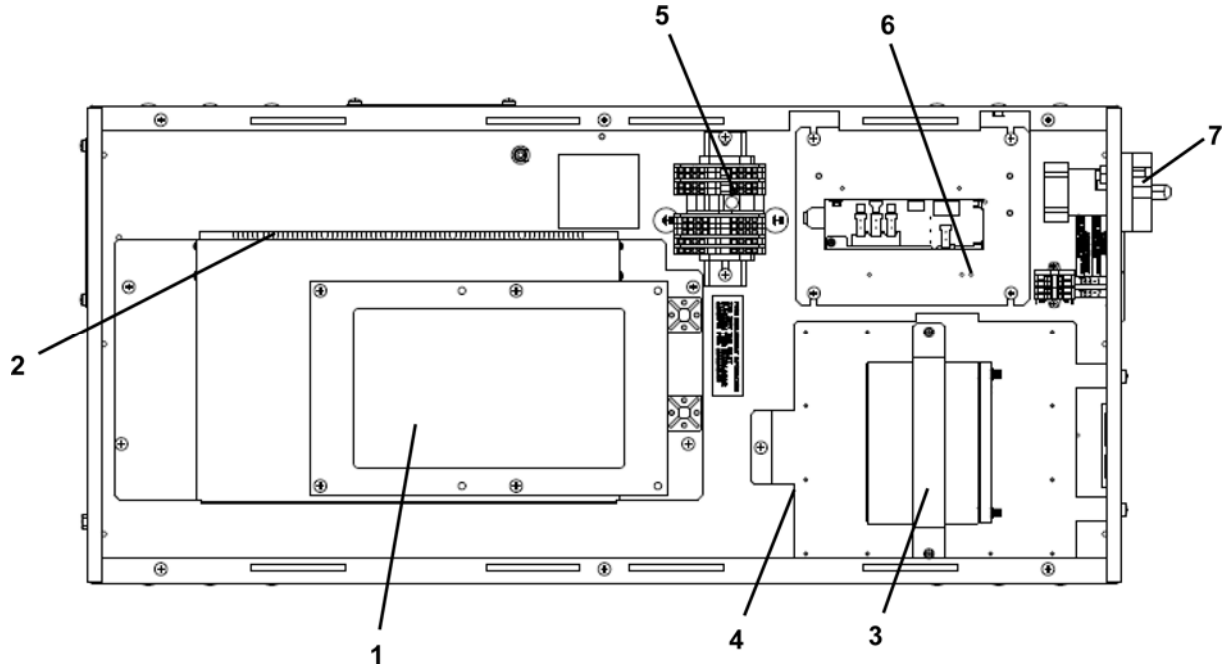
Name	Department
Brad Scoville	Otis Engineering Center, Farmington

About Spare Parts Leaflets...

This document lists the lowest replaceable units (LRUs) for the standard version of the product. The LRUs are chosen by a team of Otis associates representing engineering and manufacturing.

While goal of this document is to make parts identification as easy as possible, the document cannot be all-inclusive. Elevator and escalator contracts classified as "special" or "custom" are not addressed here. For such contracts, please refer to specified information, the contract folder, TIPS, Field Education Articles, Construction Letters, etc. for further information.

If you have any suggestions about this document, please contact the subject matter expert listed on this page.



REF. No.	PART No.	DESCRIPTION
	AAA25300AS	
1	GAA23600AR1	Computer, Mobile Bridge, w/ CPIB1, w/ Display
2	AAA639EA10	Computer, Layer-3 ,24-Port Ethernet Switch
3	AAB639ER211	Computer, Internet Gateway for NAA (AS7)
	AAB639ER212	Computer, Internet Gateway for EMEA, APAC, and LAA (AS16)
	AAB639ER213	Computer, Internet Gateway for China (AS18)
4	AAA639CS16	Computer, Server, 2 GB RAM (w/o compact flash), See NOTE (includes card reader AAA639ED1 & USB extension cable)
5	AAA375CJ12	Fuse, Time Delay
6	AAA29502V1	Power Supply, 12V, 150W
7	AAA661G7	Switch, On/Off

NOTE: Server must be setup with IP address 192.168.10.250.