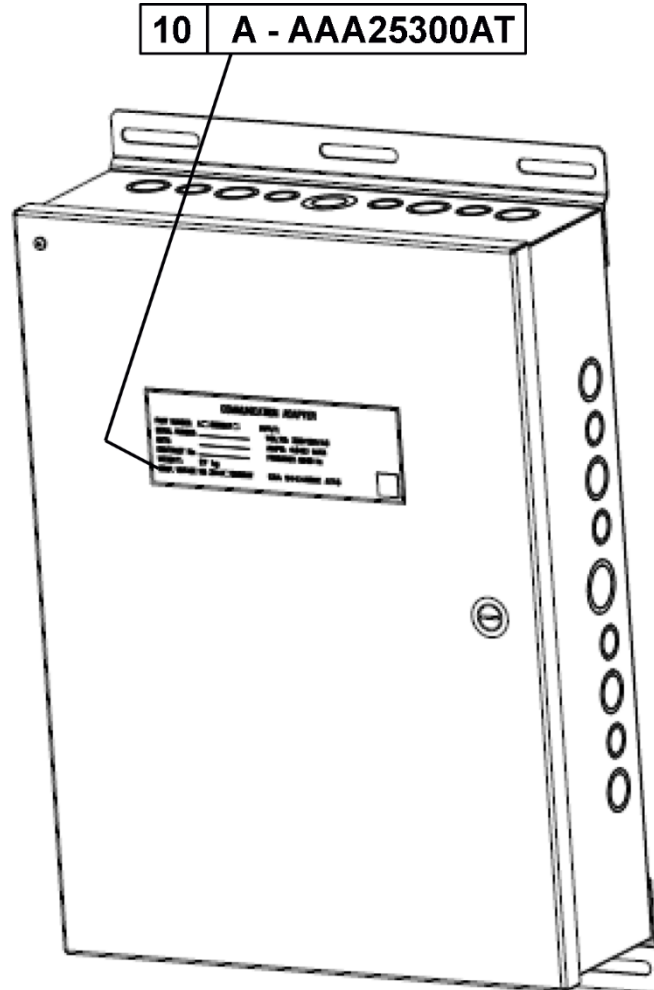


**OEO  
Communication Adapter**

**Spare Parts Leaflet**

**10-AAA25300AT**

**May 27, 2020 / Page 1 of 4**



**OTIS**

This document does not contain any technical data subject to EAR or ITAR

**SERVICE ENGINEERING  
Otis Elevator Company  
Bloomfield, Connecticut USA**

Unpublished Work—© Otis Elevator Co.; 2020

**Leaflet Description**

This leaflet provides spare parts information for the OEO Comm. (Communications) adapter. The communications adapter (AAA25300AT) is the brains of Occupant Evacuation Operation (OEO). It receives messages from the fire system where the alarm floors are and requests ETAs from Compass. This assembly consists of two power supplies, four CAN bridges, and two IO boards.

**Leaflet Revisions**

<b>Date Revised</b>	<b>Subject Matter Expert</b>	<b>Reason for Revision</b>
November 13, 2019	Charles Lowd	New SPL
May 27, 2020	Charles Lowd	Added Ref. 4 and 5 on page 3. Updated remarks for part not shown on page 4. Updated remarks for Ref 3 on page 4. Added reference 7 to page 4. Added system level BOM to Related Documents section.

**Related Drawings**

<b>Drawing No.</b>	<b>Title</b>	<b>Drawing No.</b>	<b>Title</b>
AAA25300AT	OEO Comm Adapter	AAA23850E	Auxiliary Power Supply
AAA25300AX	OEO CAN to discrete I/O	AAA23850C	Scrolling Display
AAA23850B	TV Display	AAA23850D	Fire Panel Display

**Related Documents**

<b>Document ID</b>	<b>Title</b>
SPL 10-AAA25300AT	OEO Comm Adapter Assembly
SPL 31-AAA25300AX	OEO CAN to Discrete I/O Assembly
AAA29000BL	System Level BOM

**Subject Matter Expert**

<b>Name</b>	<b>Department</b>
Charles Lowd	Florence SIT Engineering

**About Spare Parts Leaflets...**

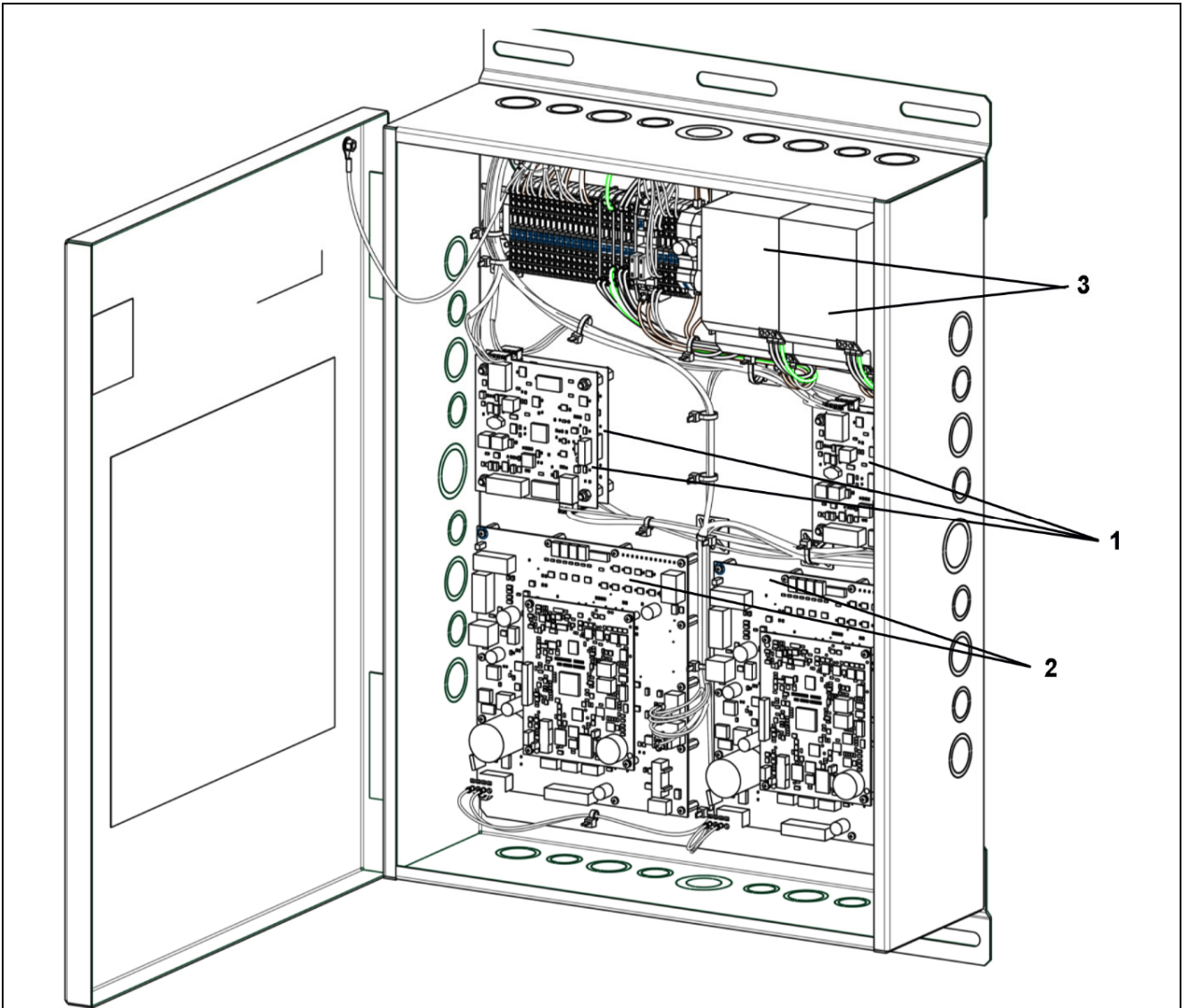
This document lists the lowest replaceable units (LRUs) for the standard version of the product. The LRUs are chosen by a team of Otis associates representing engineering and manufacturing.

While goal of this document is to make parts identification as easy as possible, the document cannot be all-inclusive. Elevator and escalator contracts classified as "special" or "custom" are not addressed here. For such contracts, please refer to specified information, the contract folder, TIPS, Field Education Articles, Construction Letters, etc. for further information.

If you have any suggestions about this document, please contact the subject matter expert listed on this page.

# Communication Adapter

**10-AAA25300AT**

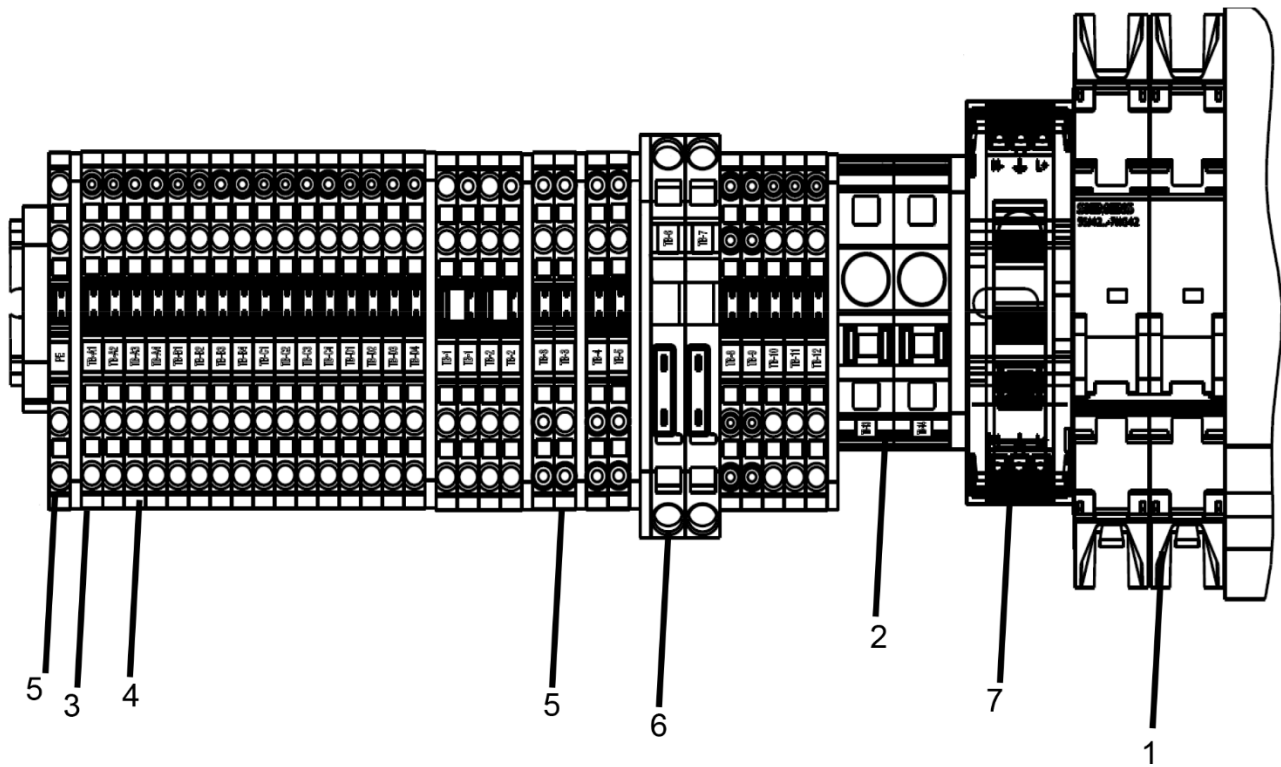


AAA25300AT		
REF. No.	PART No.	DESCRIPTION
1	JAA26807CAL1	PC Board, CAN Bridge Board (MS-CBB)
2	JHA26807CBN19	PC Board, GECB-V2/GPCB-IO, CAN, See <b>NOTES 1 &amp; 2</b>
3	AAA621AT14	Power Supply, 24 VDC
*	AAA234AF72	Coil
*	AAA616NL26	EEPROM, 1M-Bit Serial (SPI bus), 8-Pin DIP (Blank), See TIP 1.1.22.1-1

\*Part not shown

**NOTE 1:** When replacing this PC board assembly, remove and retain the 8-pin socketed EEPROM from the existing processor board or your contract data will be lost.

**NOTE 2:** The GECB-V2 requires AAA31714AAB (CAN) or later software. If required to load software refer to TIP 1.1.22.1-1.



AAA25300AT			
REF. No.	PART No.	DESCRIPTION	REMARKS
1	AAA637E43	Breaker, Circuit, 3A	---
*	AAA375C7	Fuse, 3A	For Ref. 6
*	AAA375BR18	Fuse, 10A	For Ref. 2
2	AAA653E1	Holder, Fuse	TB-13, TB-14
3	AAA303EP270	Terminal Block, Gray	TB-A1, TB-A2, TB-A4, TB-B1, TB-B2, TB-B4, TB-C1, TB-C2, TB-C4, TB-D1, TB-D2, TB-D4, TB-8, TB-9, TB-10, TB-11, TB-12, TB-1, TB-2, TB-4, TB-5
4	AAA303EP271	Terminal Block, Blue	TB-A3, TB-B3, TB-C3, TB-D3
5	AAA303EP272	Terminal Block, Ground, Green/Yellow	PE, TB-3
6	AAA303EP166	Terminal Block, Fuse Holder	TB-6, TB-7
7	AAA657A41	EMI Filter	

\* Part not shown.