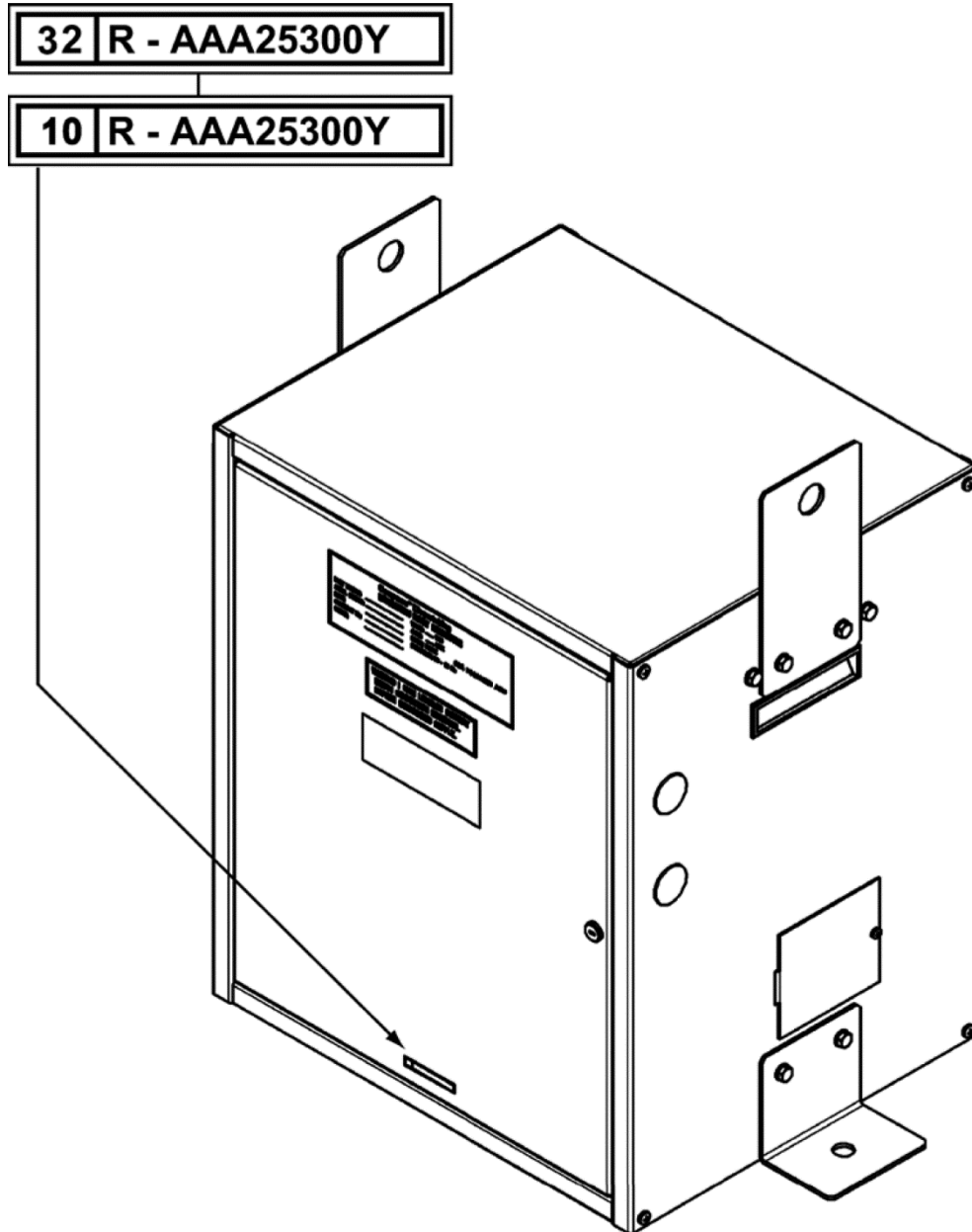


NGH Passenger
Interface: Compass[®]
Redirector

Spare Parts Leaflet

10-AAA25300Y

April 19, 2017 / Page 1 of 4



OTIS

This document does not contain any
technical data subject to EAR or ITAR

SERVICE ENGINEERING

Otis Elevator Company

Bloomfield, Connecticut USA

Unpublished Work—© Otis Elevator Co.; 2017

Leaflet Description

The Compass Redirector is utilized when the application requires building-wide dispatching. The redirector processes destination requests from one or more global Destination Entry Computers (DECs) and directs the requests to the appropriate elevator group Compass controller serving the destination. The director then receives the car assignments and passes them back to the requesting DEC. The maximum number of global DECs allowed is 18 using the standard configuration.

Leaflet Revisions

Date Revised	Subject Matter Expert	Reason for Revision
August 15, 2008	Bennie Murah	Changed component code from 32 to 10; updated SPL to latest manufacturing configuration.
September 17, 2014	Bennie Murah	Updated part numbers throughout.
April 19, 2017	Peter DePaola	Updated part numbers throughout

Related Drawings

Drawing No.	Title	Drawing No.	Title
AAA25300Y	NGH Passenger Interface Redirector - obsolete	AAA29000AG	NGH Passenger Interface, System Level
AAA25300V, AAB25300V	NGH Passenger Interface Machine Room Equipment - obsolete	AAA25300AA	NGH Passenger Interface Pit Enclosure- obsolete
AAA25300S, AAB25300S	NGH Passenger Interface Pit Enclosure- obsolete	ABA25300AK	NGH Passenger Interface, Compass Machine Room-less Controller

Related Documents

Document ID	Title
SPL 10-AAB25300S	NGH Passenger Interface, Pit Enclosure – obsolete
SPL 10-AAA25300V	NGH Passenger Interface, Machine Room Equipment – obsolete
SPL 10-AAA25300AA	NGH Passenger Interface Compass 24-Port Pit Box – obsolete
FMI AAA29000AG_FMI	Controller Software / Hardware Upgrade Requirements – obsolete

Subject Matter Expert

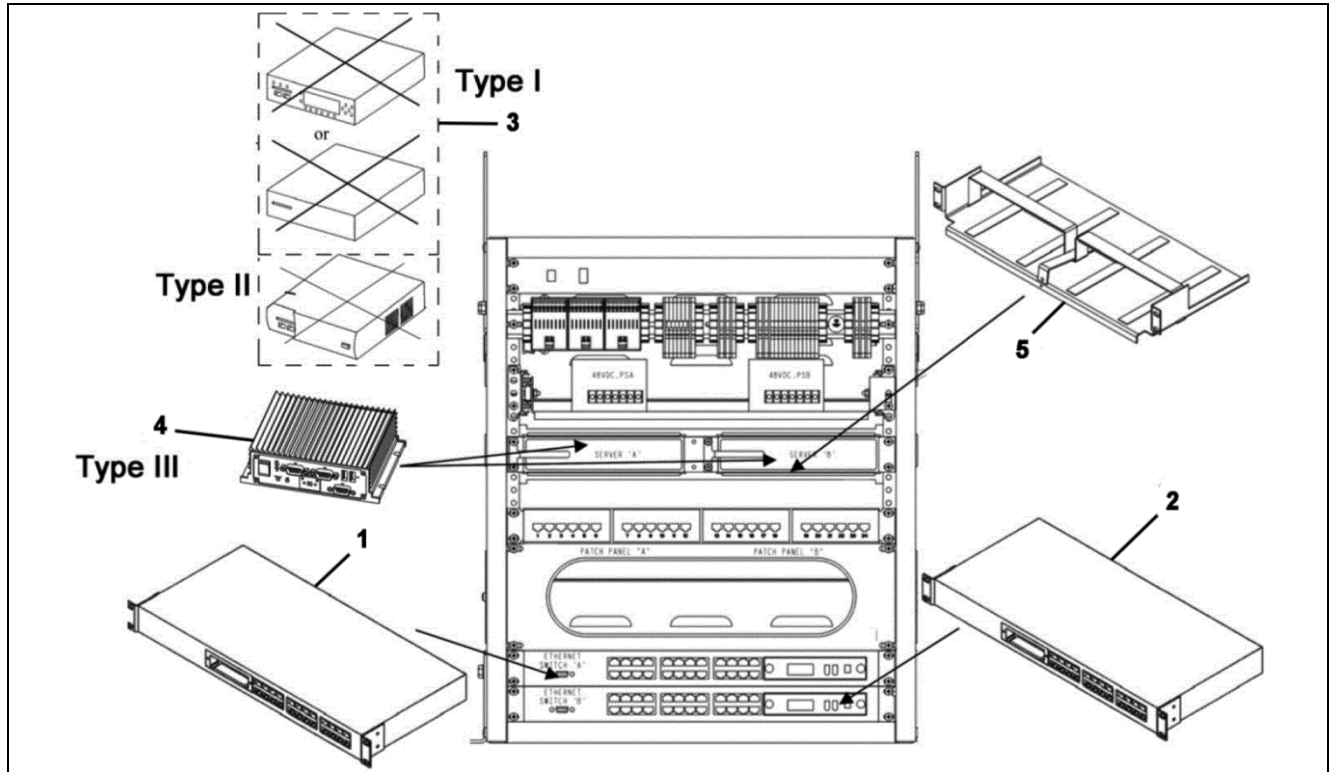
Name	Department
Peter DePaola	OSC Service Engineering

About Spare Parts Leaflets...

This document lists the lowest replaceable units (LRUs) for the standard version of the product. The LRUs are chosen by a team of Otis associates representing engineering and manufacturing.

While goal of this document is to make parts identification as easy as possible, the document cannot be all-inclusive. Elevator and escalator contracts classified as “special” or “custom” are not addressed here. For such contracts, please refer to specified information, the contract folder, TIPS, Field Education Articles, Construction Letters, etc. for further information.

If you have any suggestions about this document, please contact the subject matter expert listed on this page.

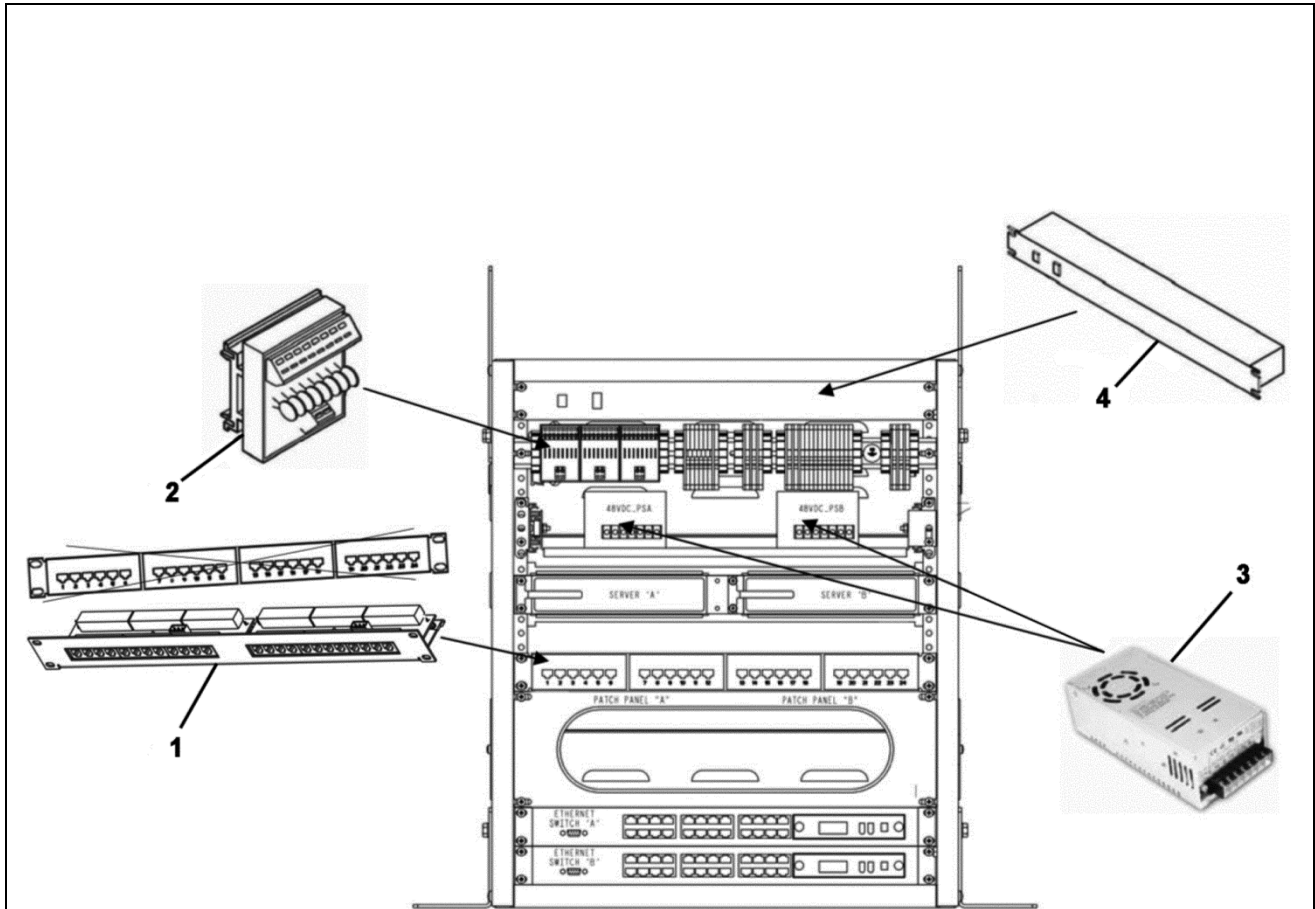


REF. No.	PART No.	DESCRIPTION
	AAA25300Y	
1	AAA639CT2 AAA639CT3 AAA639EA2 AAA639EA8	Computer, 24-Port Layer-3 Ethernet Switch (Configured as A)
2	AAA639CT2 AAA639CT4 AAA639EA3 AAA639EA9	Computer, 24-Port Layer-3 Ethernet Switch (Configured as B)
3	AAA639CS4 AAA639CS5 AAA639CS8 AAA639CS9 AAA639CS10 AAA639CS12	Computer, Server, Type I&II OBSOLETE (w/o compact flash)
4	AAA639CS14 AAA639CS16	Computer, Server, Type III (w/o compact flash), See NOTES 1, 2, 3
5	AAA25300AG1	Shelf, Server (NOTE: Replace existing server mounting hardware with server shelf assembly.)

NOTE 1: Replacement servers do not have a flash card. Contact OSC Customer Service if server software is required.

NOTE 2: Type II servers require a minimum server software version of AAA31342AAE.
Type III servers require a minimum server software version of AAA31342BAC.

NOTE 3: Refer to Field Micro Instruction AAA29000AG_FMI if replacing ref. 3 or ref. 4.



REF. No.	PART No.	DESCRIPTION
	AAA25300Y	
1	AAA447AR14	Connector, Patch Panel, See NOTE 1
	AAA29502E1	Patch Panel
2	AAA303EP207	Module, PTC
3	AAA621AN10	Power Supply, 48 V
	AAA621AN21	Power Supply, 48 V, See NOTE 2
	AAA621AN32	
4	AAA641K2	Receptacle

NOTE 1: When replacing an AAA447AR14 patch panel, kit AAA29502E2 must be ordered. This replaces both items 1 and 2.

NOTE 2: If replacing AAA621AN10 or AN21, refer to AAA621AN32_FMI for mounting details