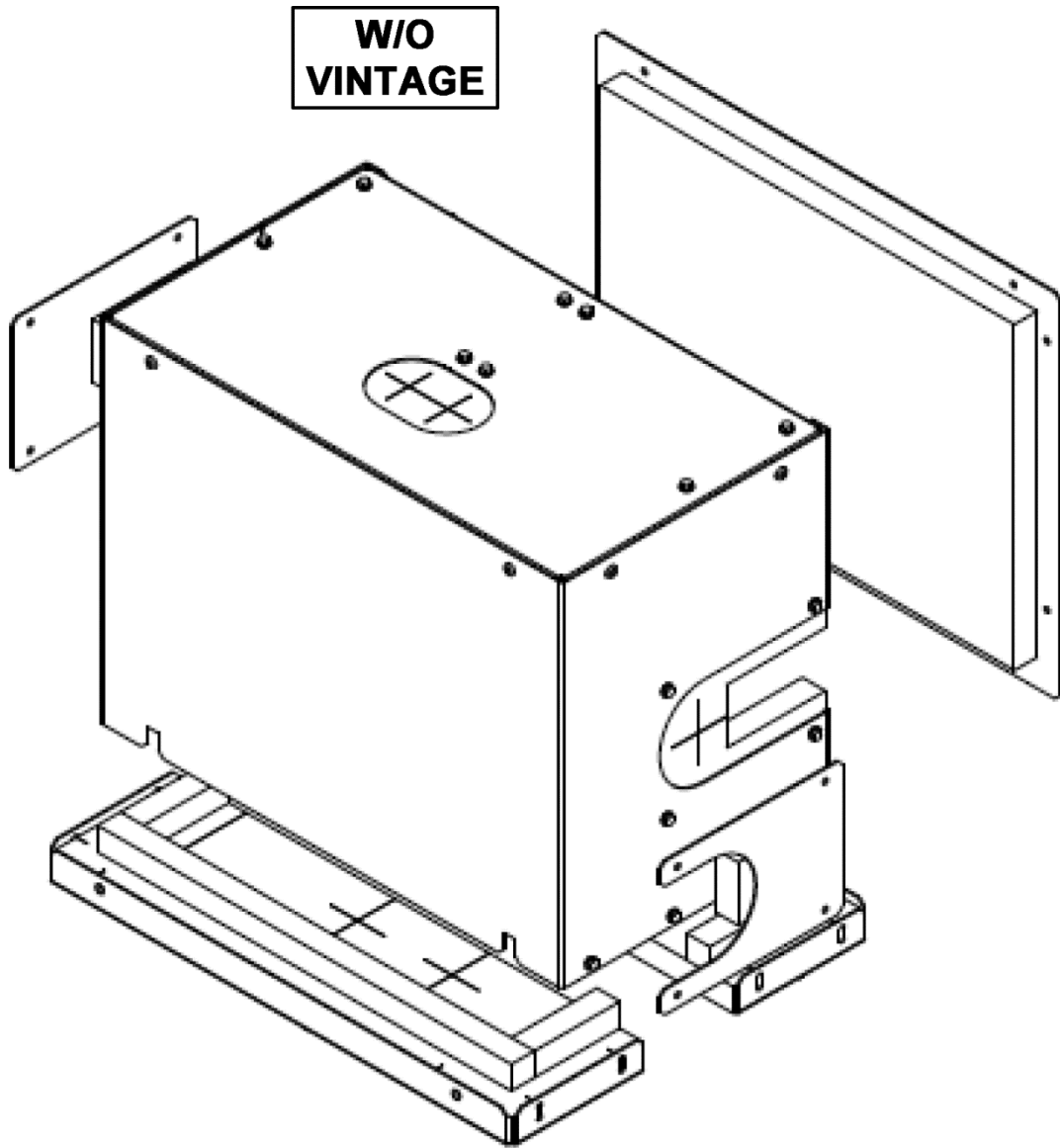


Formed Sound Package
Assembly Hospital Duty
(HydroFit®)

Spare Parts Leaflet
10-AAA285ABB

September 2, 2015 / Page 1 of 3



OTIS

SERVICE ENGINEERING
Otis Elevator Company
Bloomfield, Connecticut USA

Unpublished Work—© Otis Elevator Co.; 2015

Leaflet Description

This leaflet provides spare parts information of the tape reader assemblies used with position reference systems for hospital duty HydroFit®.

Leaflet Revisions

Date Revised	Subject Matter Expert	Reason for Revision
February 12, 2014	John Kleine and Troy Chicoine	New SPL
September 2, 2015	Troy Chicoine	Corrected description for ref. 1 on p. 3

Related Drawings

Drawing No.	Title	Drawing No.	Title
AAA21242E	Assembly and Arrangement for GCS Hydraulic Controller	AAA285ZVFMI	
ABA21242F	HydroFit® Wiring Diagram	AAA21242H	HydroAccel™ Wiring Diagram
AAA21242E_FMI	GCS Hydraulic Controller Field Micro Instruction	AAA29502L-TDS	HydroFit® / HydroAccel Technical Data Sheet

Related Documents

Document ID	Title
---	---

Subject Matter Expert

Name	Department
Troy Chicoine	OSC Service Engineering

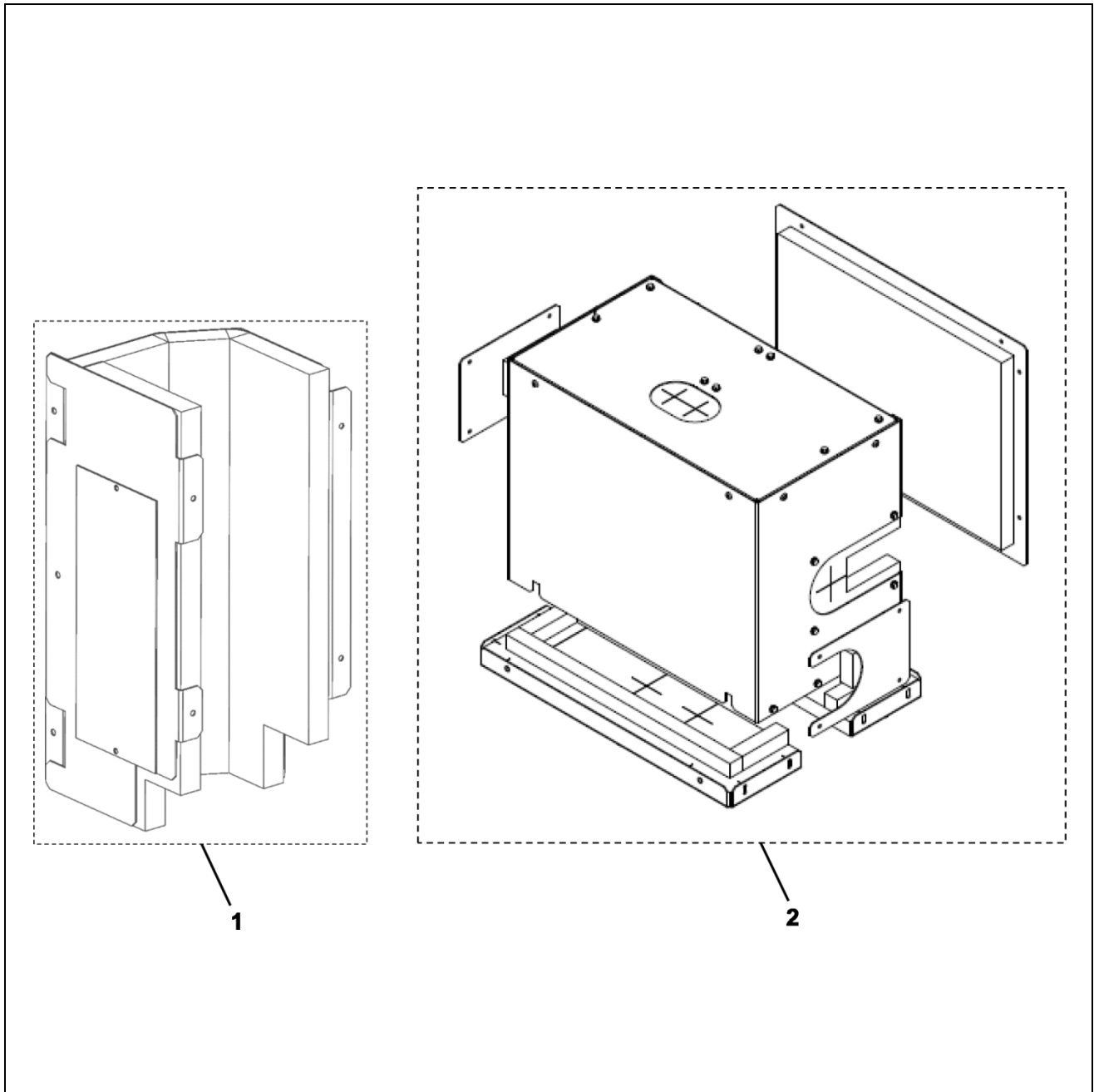
About Spare Parts Leaflets...

This document lists the lowest replaceable units (LRUs) for the standard version of the product. The LRUs are chosen by a team of Otis associates representing engineering and manufacturing.

While goal of this document is to make parts identification as easy as possible, the document cannot be all-inclusive. Elevator and escalator contracts classified as “special” or “custom” are not addressed here. For such contracts, please refer to specified information, the contract folder, TIPS, Field Education Articles, Construction Letters, etc. for further information.

If you have any suggestions about this document, please contact the subject matter expert listed on this page.

Assemblies



W/O VINTAGE		
REF. No.	PART No.	DESCRIPTION
1	AAA285ABB101	Assembly, Shutoff Valve Cover, Right Hand (as shown)
	AAA285ABB102	Assembly, Shutoff Valve Cover, Left Hand (opposite)
2	AAA285ABB100	Assembly, Valve Box Sound Package