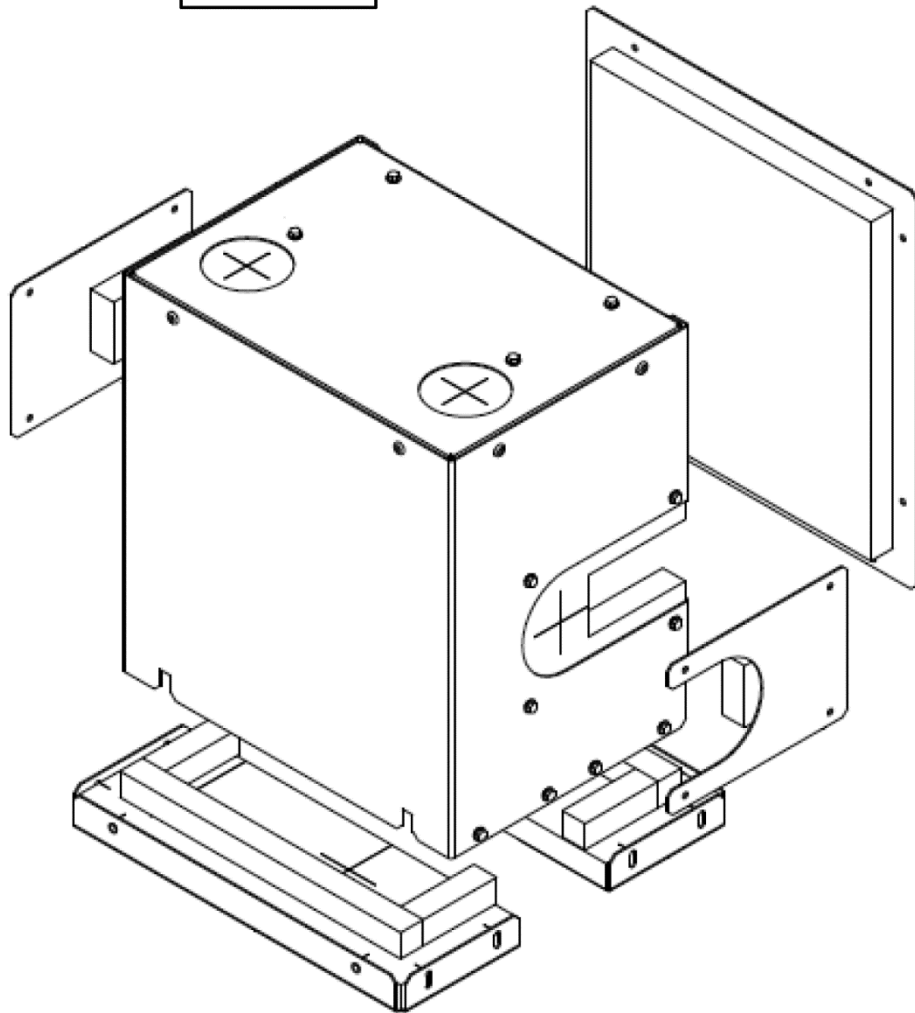


Formed Sound
Package Assembly
(HydroFit)

Spare Parts Leaflet
10-AAA285ZV

February 26, 2014 / Page 1 of 3

**W/O
VINTAGE**



OTIS

SERVICE ENGINEERING
Otis Elevator Company
Bloomfield, Connecticut USA

Unpublished Work—© Otis Elevator Co.; 2014

Leaflet Description

This leaflet provides spare parts information for the tape reader assemblies used with GCS hydraulic control system for HydroFit™.

Leaflet Revisions

Date Revised	Subject Matter Expert	Reason for Revision
February 26, 2014	John Kleine and Troy Chicoine	New SPL

Related Drawings

Drawing No.	Title	Drawing No.	Title
AAA21242E	Assembly and Arrangement for GCS Hydraulic Controller	ABA21242F	HydroFit™ Wiring Diagram
AAA21242E-FMI	GCS Hydraulic Controller Field Micro Instruction	AAA21242H	Hydro Accel™ Wiring Diagram
AAA29502L-TDS	HydroFit™ / Hydro Accel Technical Data Sheet	AAA285ZV_FMI	
AAA285ABB_FMI			

Related Documents

Document ID	Title
---	---

Subject Matter Expert

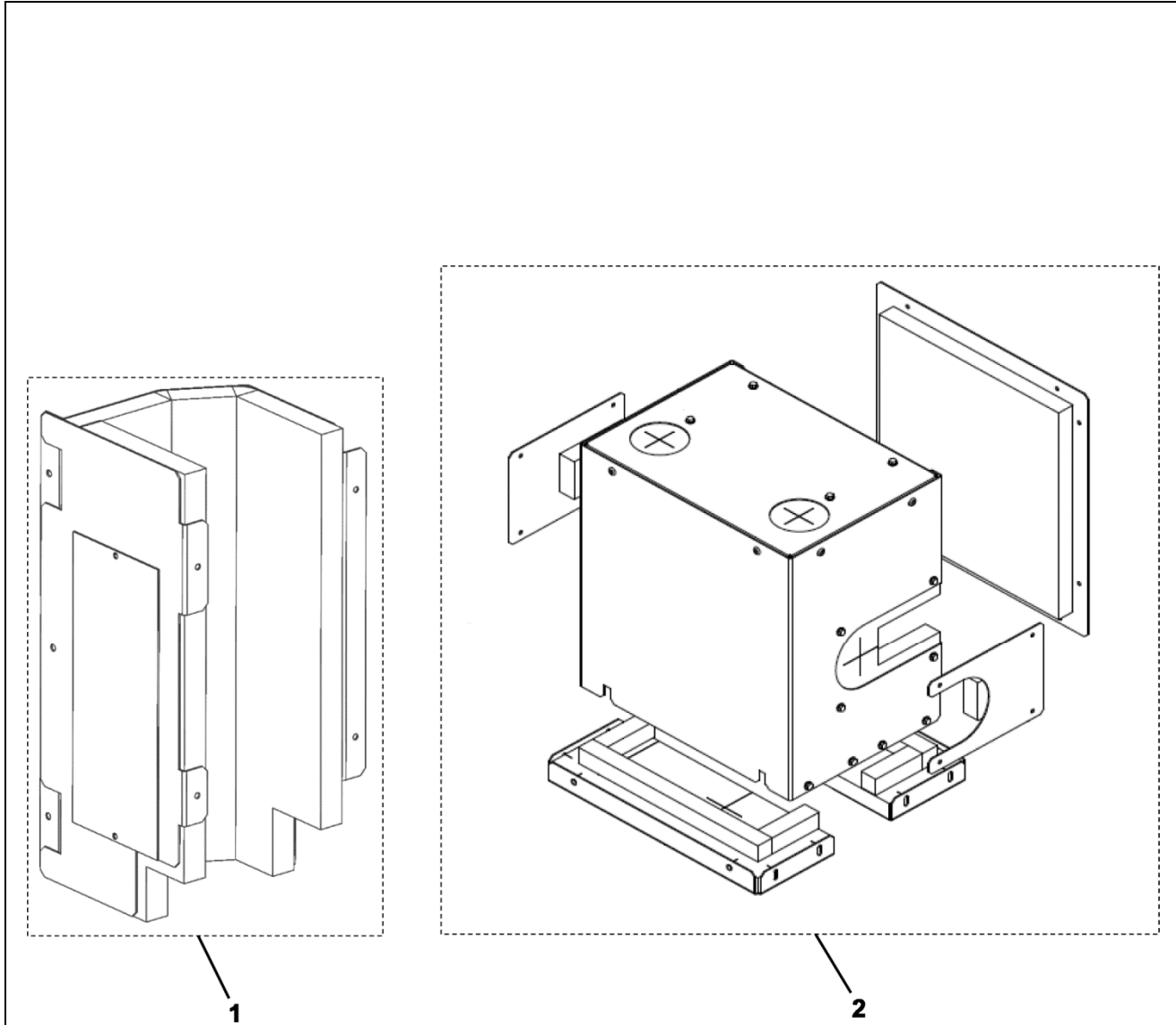
Name	Department
Troy Chicoine	OSC Service Engineering

About Spare Parts Leaflets...

This document lists the lowest replaceable units (LRUs) for the standard version of the product. The LRUs are chosen by a team of Otis associates representing engineering and manufacturing.

While goal of this document is to make parts identification as easy as possible, the document cannot be all-inclusive. Elevator and escalator contracts classified as “special” or “custom” are not addressed here. For such contracts, please refer to specified information, the contract folder, TIPS, Field Education Articles, Construction Letters, etc. for further information.

If you have any suggestions about this document, please contact the subject matter expert listed on this page.



REF. No.	W/O VINTAGE	DESCRIPTION
	PART No.	
1	AAA285ZV101	Assembly, Shutoff Valve Cover, Left Hand (shown)
	AAA285ZV102	Assembly, Shutoff Valve Cover, Right Hand (not shown)
2	AAA285ZV100	Assembly, Valve Box Sound Package