

Compass® Controller
NGH Passenger
Interface

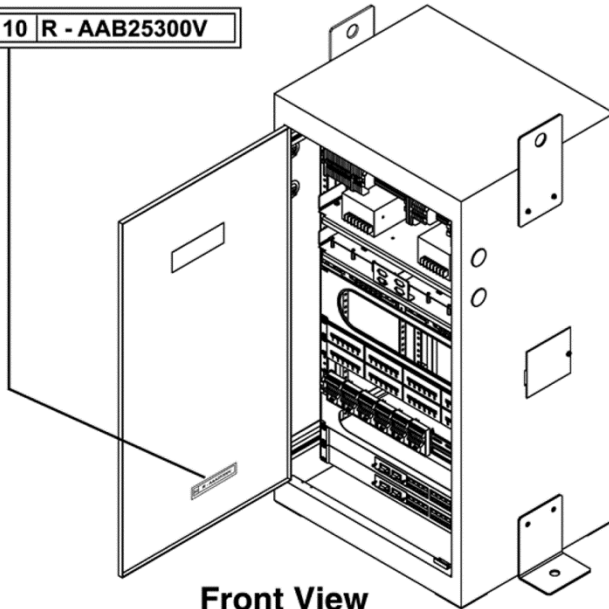
Spare Parts Leaflet

10-AAB25300V

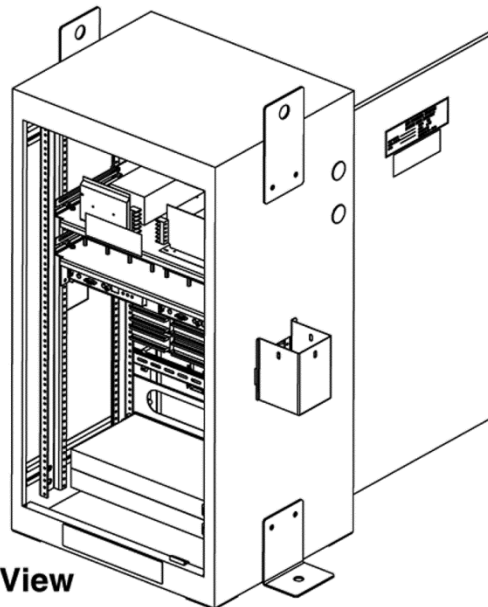
April 19, 2017 / Page 1 of 5

32 R - AAA25300V

10 R - AAB25300V



Front View



Rear View

OTIS

This document does not contain any
technical data subject to EAR or ITAR

SERVICE ENGINEERING

Otis Elevator Company

Bloomfield, Connecticut USA

Unpublished Work—© Otis Elevator Co.; 2017

Leaflet Description

The Compass controller machine room enclosure contains the group dispatcher board and software, along with the network components required to communicate to the input devices located throughout the building. The machine room enclosure is installed on the machine room floor and is connected to the car controllers via the RS-422 ring.

Leaflet Revisions

Date Revised	Subject Matter Expert	Reason for Revision
December 8, 2004	Wade Montague	New SPL
December 6, 2006	Wade Montague	Updated part numbers
August 27, 2008	Bennie Murah	Updated SPL to latest manufacturing configuration
June 9, 2010	Bennie Murah	Added new parts on p. 4
September 17, 2014	Bennie Murah	Updated part numbers
April 19, 2017	Peter DePaola	Update part numbers

Related Drawings

Drawing No.	Title	Drawing No.	Title
AAA25300S AAB25300S	NGH Passenger Interface Pit Enclosure - obsolete	AAA29000AG	NGH Passenger Interface, System Level
AAA25300V AAB25300V	NGH Passenger Interface Machine Room Equipment - obsolete	AAa25300AA	NGH Passenger Interface Pit Enclosure - obsolete
AAA25300Y	NGH Passenger Interface Redirector - obsolete	ABA25300AK	NGH Passenger Interface, Machine Room-less Controller

Related Documents

Document ID	Title
FMI, AAB25300V_FMI	Controller Placement and Wiring
FMI, AAA29000AG_FMI	Compass Installation Instructions for Replacing the Server and/or GCB
FMI, AAA21305CP1_FMI	Compass Power Reset Assembly Installation Instructions
TIP 4.8-1	Compass Installation Tutorial

Subject Matter Expert

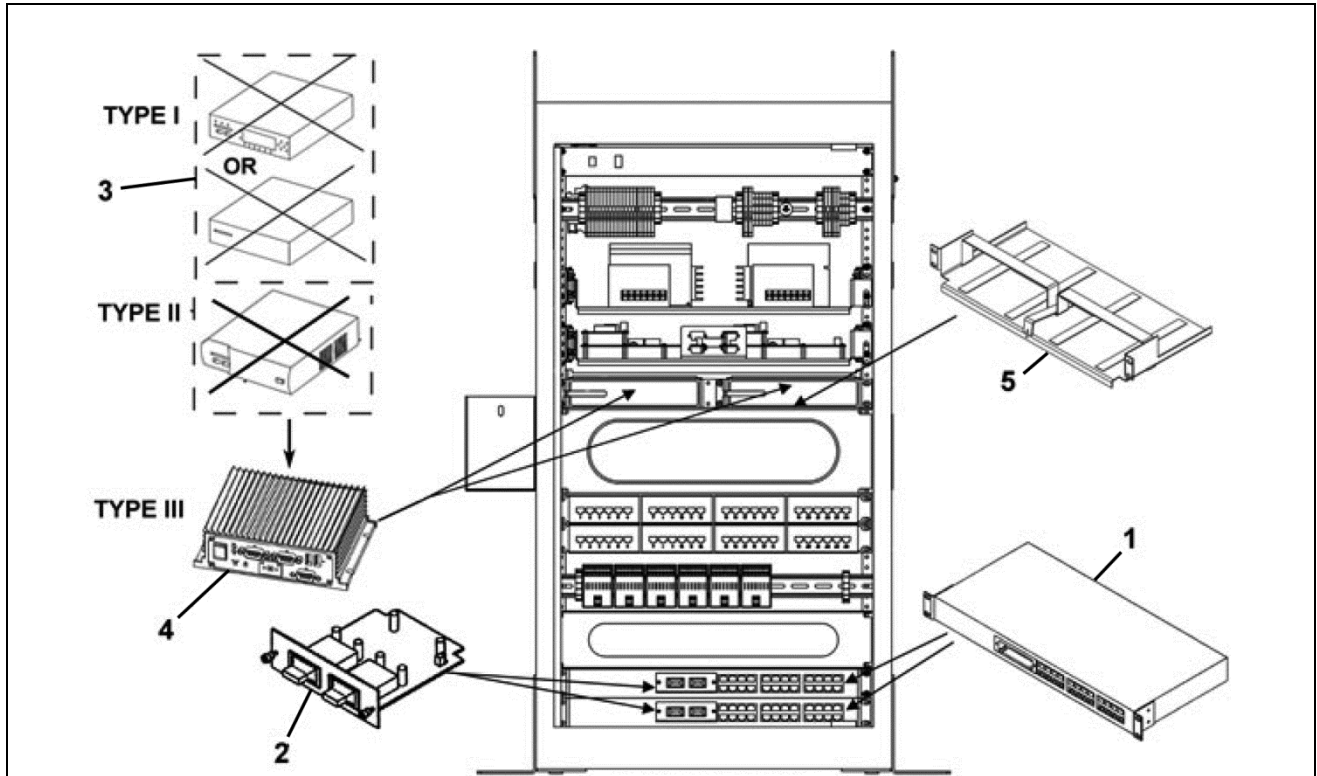
Name	Department
Peter DePaola	Otis Service Center, Bloomfield CT

About Spare Parts Leaflets...

This document lists the lowest replaceable units (LRUs) for the standard version of the product. The LRUs are chosen by a team of Otis associates representing engineering and manufacturing.

While goal of this document is to make parts identification as easy as possible, the document cannot be all-inclusive. Elevator and escalator contracts classified as "special" or "custom" are not addressed here. For such contracts, please refer to specified information, the contract folder, TIPs, Field Education Articles, Construction Letters, etc. for further information.

If you have any suggestions about this document, please contact the subject matter expert listed on this page.

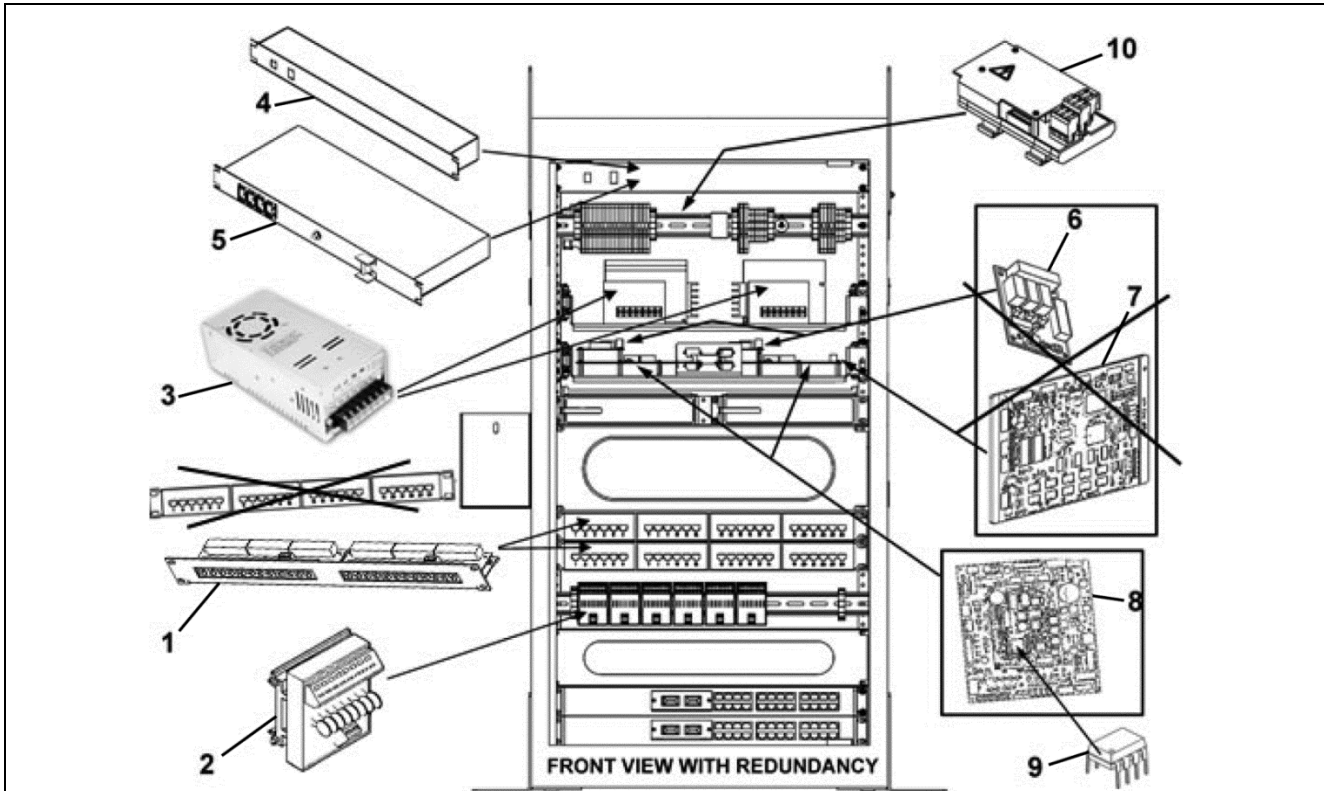


	AAA25300V	AAB25300V			
REF. No.	PART No.		DESCRIPTION		
1	AAA639CT1 AAA639EL2		Computer, 24-Port Ethernet Switch		
2	AAA639CR4 AAA639CR3		Computer, Fiber Optic Module		
3	AAA639CS1	---	Server Computer, w/ 128 MB Flash Drive labeled:	S02-060-01-AAC-1	See NOTE 1
	AAA639CS3	---		S02-060-02-AAC-1	
4	---	AAA639CS6	Server Computer, w/ 2 GB Flash Drive w/software	S02-060-21-AAE-1	See NOTE 2
	---	AAA639CS7		S02-060-22-AAE-1	
	AAA639CS10 AAA639CS14 AAA639CS16		Server Computer, 512 MB RAM (w/o Compact Flash)		
5	AAA25300AG1		Shelf Assembly (server shelf), See NOTE 1		

NOTE 1: If replacing Type I Server (Ref. 3) with a Type III Server (Ref. 4), order a new shelf assembly AAA25300AG1 (Ref. 5). Use double-side foam tape as needed to secure new server.

NOTE 2: Type II servers require a minimum server software version of AAA31342AAE.
Type III server require a minimum server software version of AAA31342BAC.

NOTE 3: Refer to Field Micro Instruction AAA29000AG_FMI if replacing Ref 3 or Ref 4.



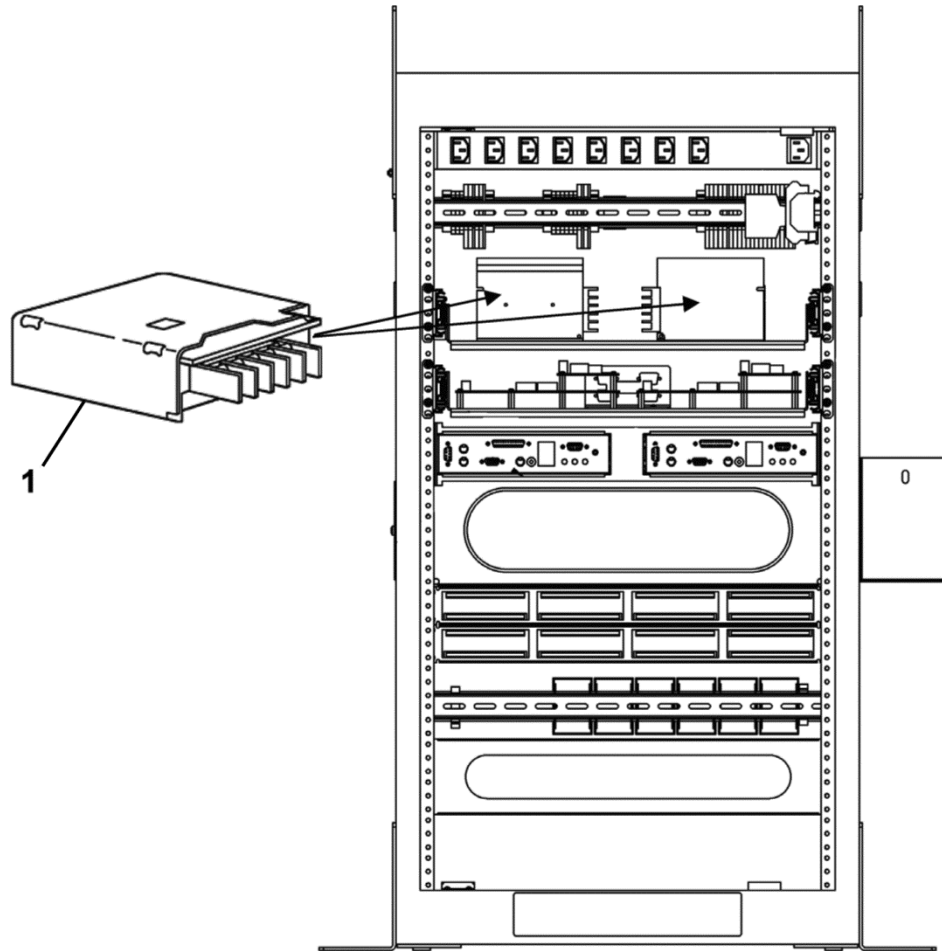
REF. No.	PART No.	DESCRIPTION		
1	AAA447AR14 AAA29502E1	Connector, Patch Panel, See NOTE 3		
2	AAA303EP207	Assembly, PTC Module		
3	AAA621AN10 → AAA621AN21 AAA621AN32	Power Supply, 48V, See NOTE 4		
4	AAA641K2	Receptacle A/C (w/ A**25300V1/V2/V3/V5)		
5	AAA641K3	Receptacle A/C (w/ A**25300V4)		
6	JAA26807BTH1	PC Board, RRB		
7	JAA26807BRL2	PC Board, GCB1-BX		
8	---	JCA26807CBN23 JEA26807CBN23 JHA26807CBN23	PC Board, GECEB/GPCB-IO (w/ A**25300V1/V2/V3)	See NOTE 1
	---	JCA26807CBN24 JEA26807CBN24 JHA26807CBN24	PC Board, GECEB/GPCB-IO (w/ A**25300V5)	
9	AAA616NL31	Serial EEPROM, 512 Kbit (SPI bus)		
10	AAA21305CP1	Power Reset Assembly, Compass (Optional), See NOTE 2		

NOTE 1: If replacing RRB (Ref 6) or GCB (Ref 7) with GECEB (Ref 8), software will require upgrading (baseline and contract software). Contact OSC Customer Service. Refer to Field Micro Instruction AAA29000AG_FMI.

NOTE 2: Refer to Field Micro Instruction AAA21305CP_FMI. Only used with AAA639CT1 (Ref 1 Page 3).

NOTE 3: When replacing AAA447AR14 patch panel, kit AAA29502E2 must be ordered. This replaces items 1 and 2.

NOTE 4: If replacing AAA621AN10 or AN21, refer to AAA621AN32_FMI.



REF. No.	PART No.	DESCRIPTION
1	AAA621AN5 AAA621AN26	Power Supply, 5V See NOTE

NOTE: See AAA621AN32_FMI for mounting details.