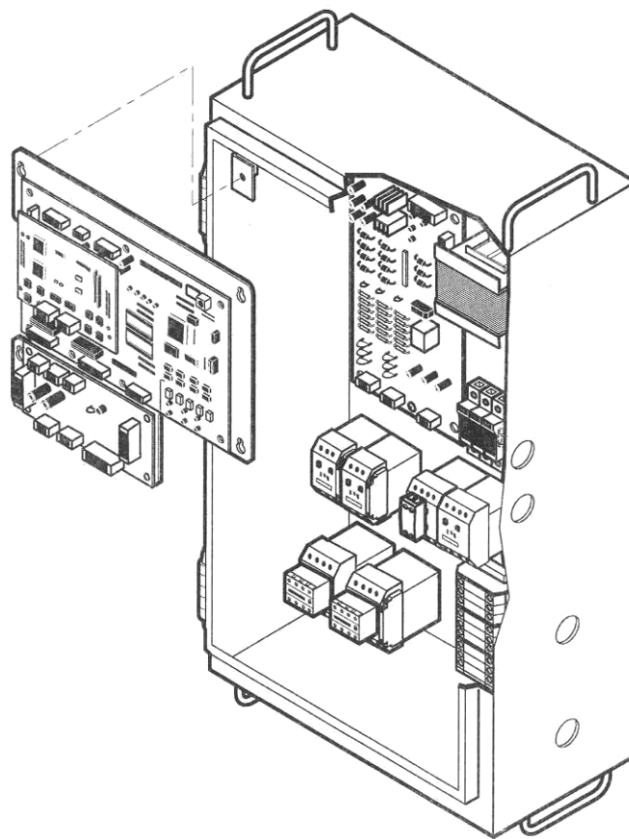


# OCE521 Escalator Main Controller

**Spare Parts Leaflet**

**10-ASA03C357**

**November 1, 2006 / Page 1 of 10**



**OTIS**

**Safety First!**

**ESCALATOR DEPARTMENT**  
**Otis Elevator Company**  
**Changwon, Korea**

**Leaflet Description**

OCE521 escalator main controller.

**Leaflet Revisions**

<b>Date Revised</b>	<b>Subject Matter Expert</b>	<b>Reason for Revision</b>
Nov. 1, 2006	---	Release
---	---	---

**Related Drawings**

<b>Drawing No.</b>	<b>Title</b>	<b>Drawing No.</b>	<b>Title</b>
ASG00C506	Main Controller	---	---
---	---	---	---

**Related Documents**

<b>Document ID</b>	<b>Title</b>
BOM	---
---	---

**Subject Matter Expert**

<b>Name</b>	<b>Department</b>
	Escalator Department

**About Spare Parts Leaflets...**

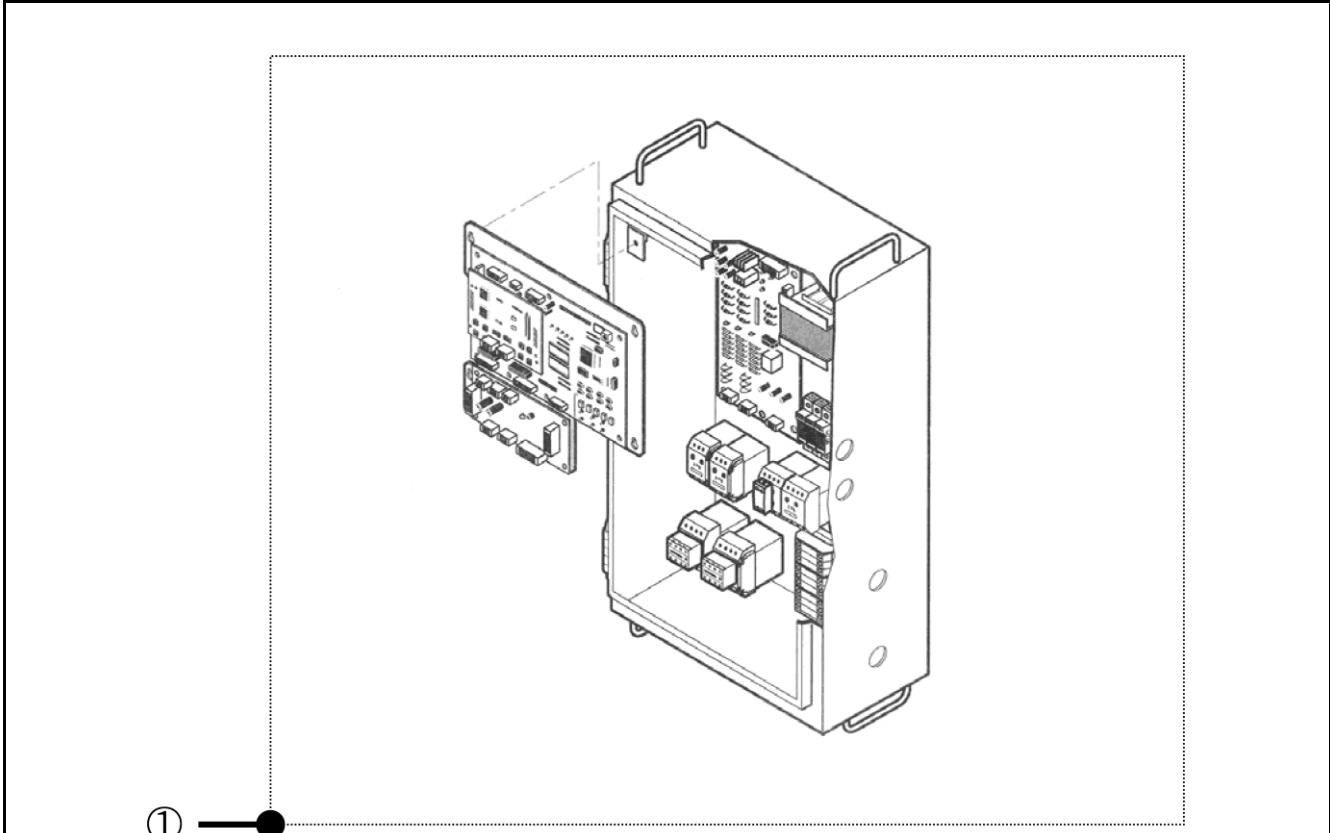
This document lists the lowest replaceable units (LRUs) for the standard version of the product. The LRUs are chosen by a team of Otis associates representing engineering and manufacturing.

While goal of this document is to make parts identification as easy as possible, the document cannot be all-inclusive. Elevator and escalator contracts classified as "special" or "custom" are not addressed here. For such contracts, please refer to specified information, the contract folder, TIPs, Field Education Articles, Construction Letters, etc. for further information.

If you have any suggestions about this document, please contact the subject matter expert listed on this page.

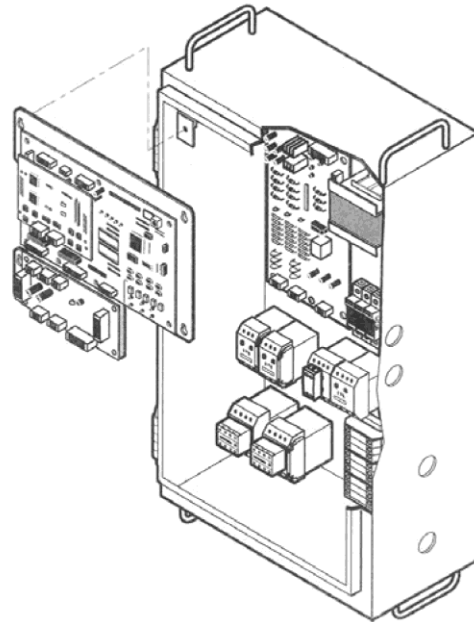
# OCE521 Escalator Main Controller

**10-ASA03C357**



<b>W/O VINTAGE</b>		
<b>REF. No.</b>	<b>PART No.</b>	<b>DESCRIPTION</b>
1	ASG00C985A	Controller (208 V, 5.5 KW)
	ASG00C985B	Controller (208 V, 7.5 KW)
	ASG00C985C	Controller (208 V, 9.5 KW)
	ASG00C985D	Controller (208 V, 11 KW)
	ASG00C985E	Controller (380/400 V, 5. KW)
	ASG00C985F	Controller (380/400 V, 7.5 KW)
	ASG00C985G	Controller (380/400 V, 9.5 KW)
	ASG00C985H	Controller (380/400 V, 11 KW)
	ASG00C985J	Controller (415/440 V, 5.5 KW)
	ASG00C985K	Controller (415/440 V, 7.5 KW)
	ASG00C985L	Controller (415/440 V, 9.5 KW)
	ASG00C985M	Controller (415/440 V, 11 KW)

**OCE521 Escalator  
Main Controller**

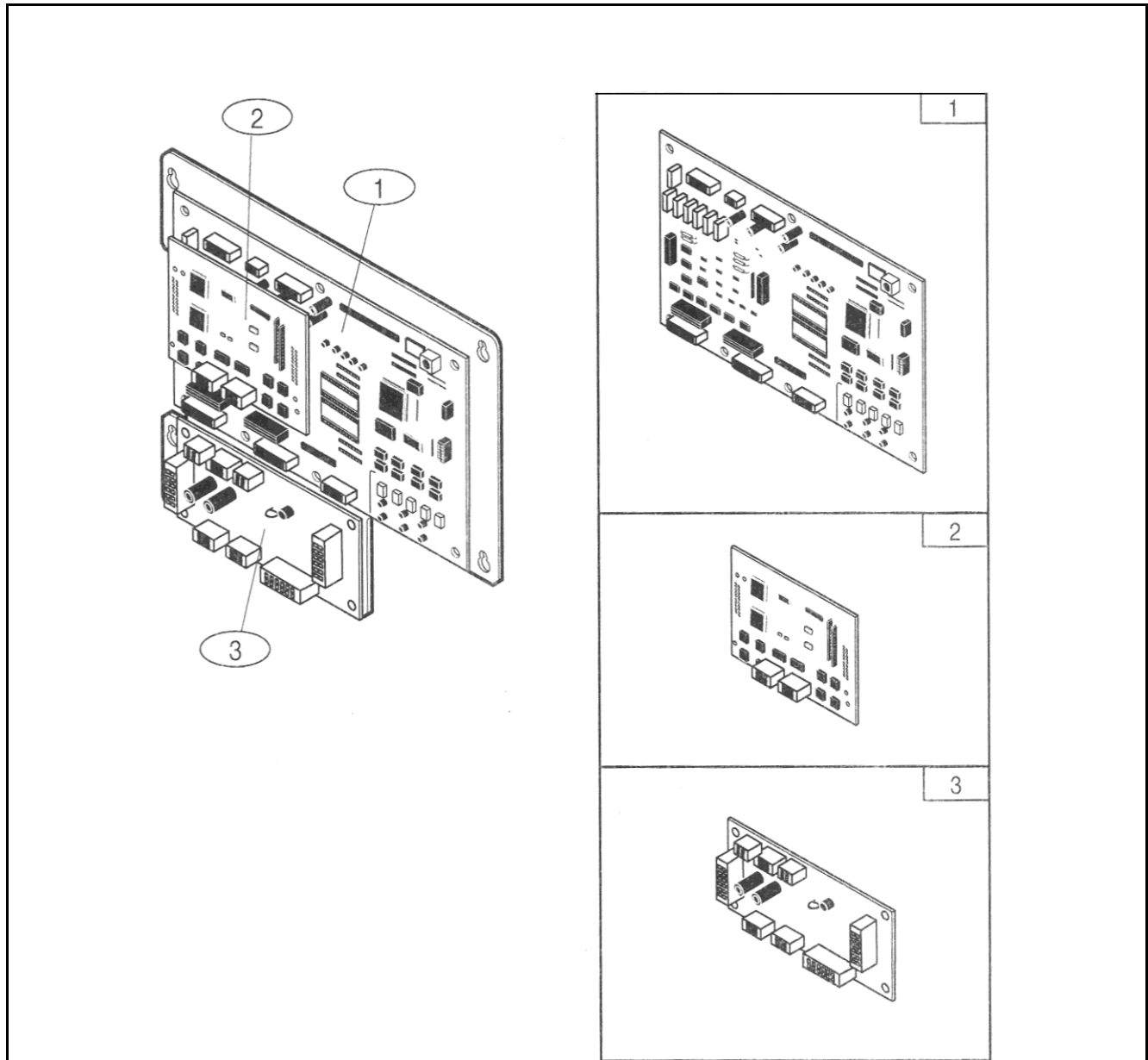


① —●

		<b>W/O VINTAGE</b>
<b>REF. No.</b>	<b>PART No.</b>	<b>DESCRIPTION</b>
1	ASG00C985N	Controller (460/480 V, 5.5 KW)
	ASG00C985P	Controller (460/480 V, 7.5 KW)
	ASG00C985Q	Controller (460/480 V, 9.5 KW)
	ASG00C985R	Controller (460/480 V, 11 KW)
	ASG00C985S	Controller (575/600 V, 5. KW)
	ASG00C985T	Controller (575/600 V, 7.5 KW)
	ASG00C985U	Controller (575/600 V, 9.5 KW)
	ASG00C985V	Controller (575/600 V, 11 KW)
	ASG00C985W	Controller (230 V, 5.5 KW)
	ASG00C985X	Controller (230 V, 7.5 KW)
	ASG00C985Y	Controller (230 V, 9.5 KW)
	ASG00C985Z	Controller (230 V, 11 KW)

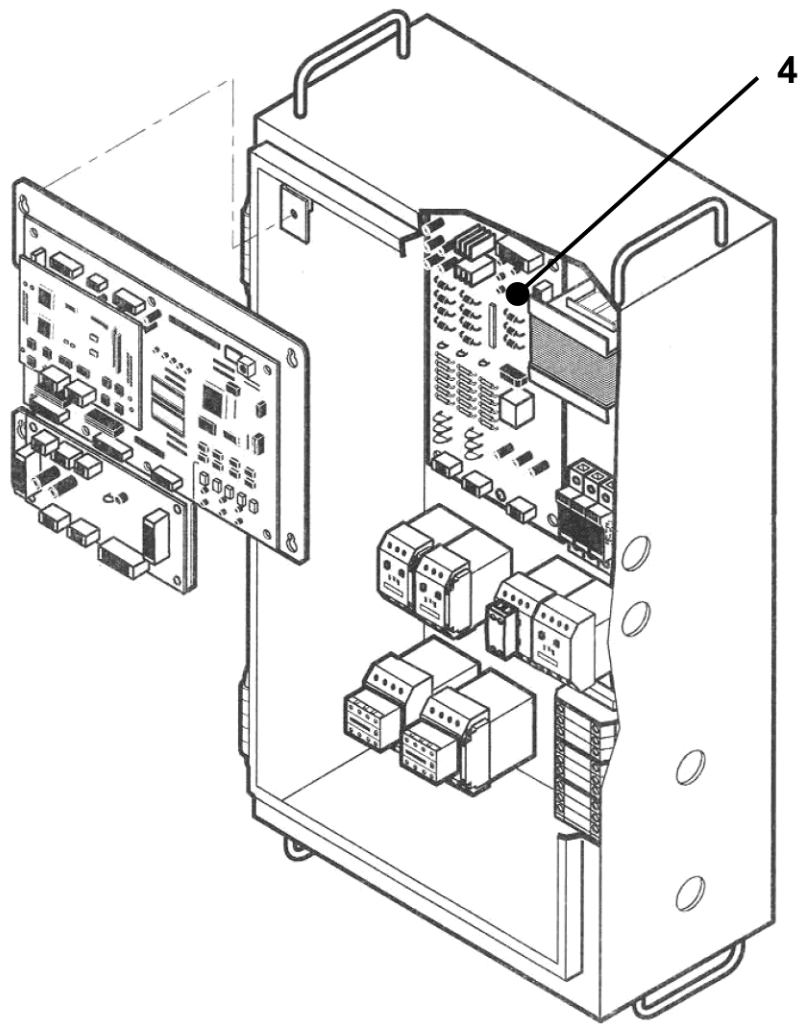
# OCE521 Escalator Main Controller

**10-ASA03C357**



W/O VINTAGE		
REF. No.	PART No.	DESCRIPTION
1	ASG00C133C	EOC-200 PCB Assembly
2	ASG00C134C	EOC-300 PCB Assembly
3	ASG00C521A	ECN-300 PCB Assembly

**OCE521 Escalator  
Main Controller**

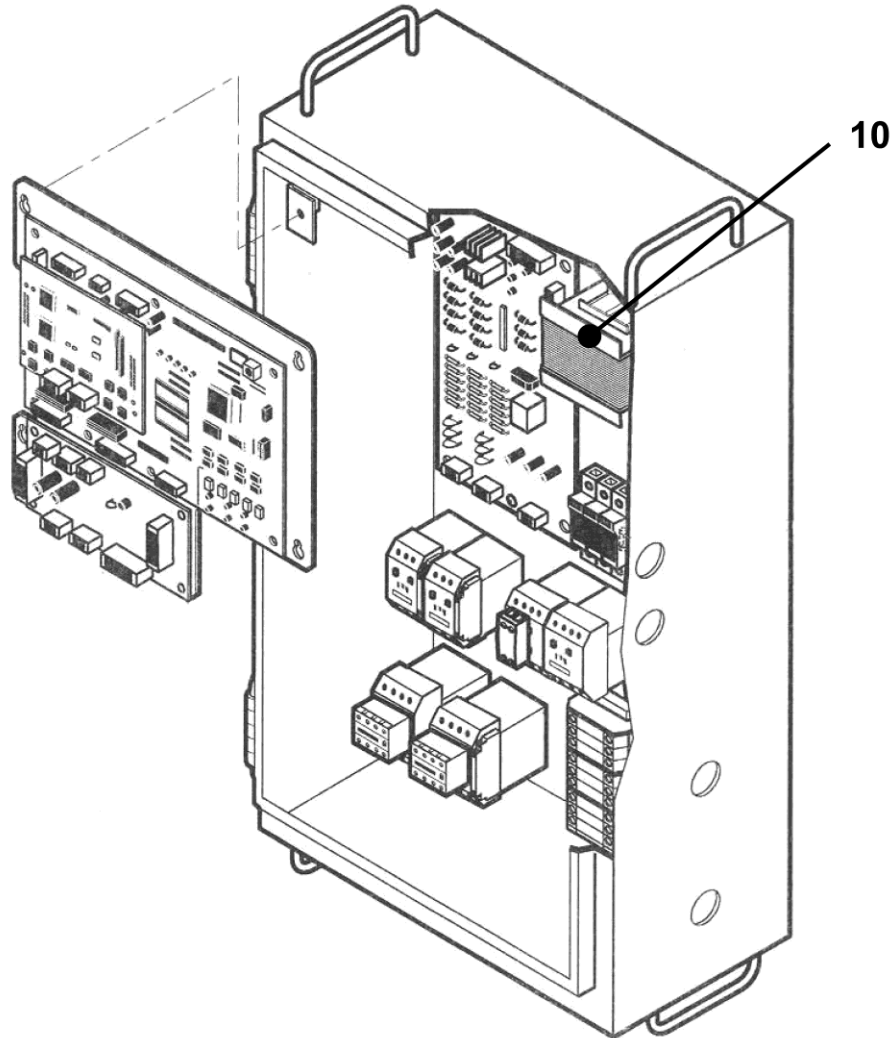


		<b>W/O VINTAGE</b>
<b>REF. No.</b>	<b>PART No.</b>	<b>DESCRIPTION</b>
4	ASG00C520A	ESP-200 PCB Assembly (Power 208 V)
	ASG00C520B	ESP-200 PCB Assembly (Power 230 V)
	ASG00C520C	ESP-200 PCB Assembly (Power 380/400 V)
	ASG00C520D	ESP-200 PCB Assembly (Power 415/440 V)
	ASG00C520E	ESP-200 PCB Assembly (Power 460/480 V)
	ASG00C520F	ESP-200 PCB Assembly (Power 575/600 V)

# OCE521 Escalator

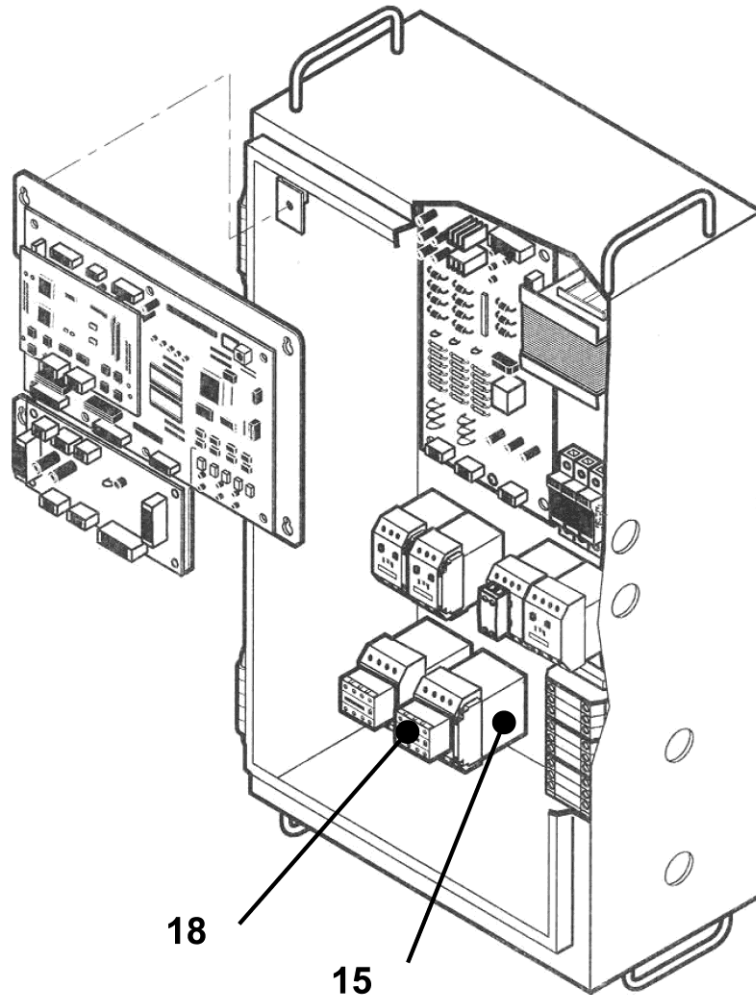
## Main Controller

10-ASA03C357



W/O VINTAGE		
REF. No.	PART No.	DESCRIPTION
10	ASG00C149A	Transformer (Power 208/230 V)
	ASG00C149B	Transformer (Power 380/400 V)
	ASG00C149C	Transformer (Power 415/440 V)
	ASG00C149D	Transformer (Power 460/480 V)
	ASG00C149E	Transformer (Power 575/600 V)

**OCE521 Escalator  
Main Controller**

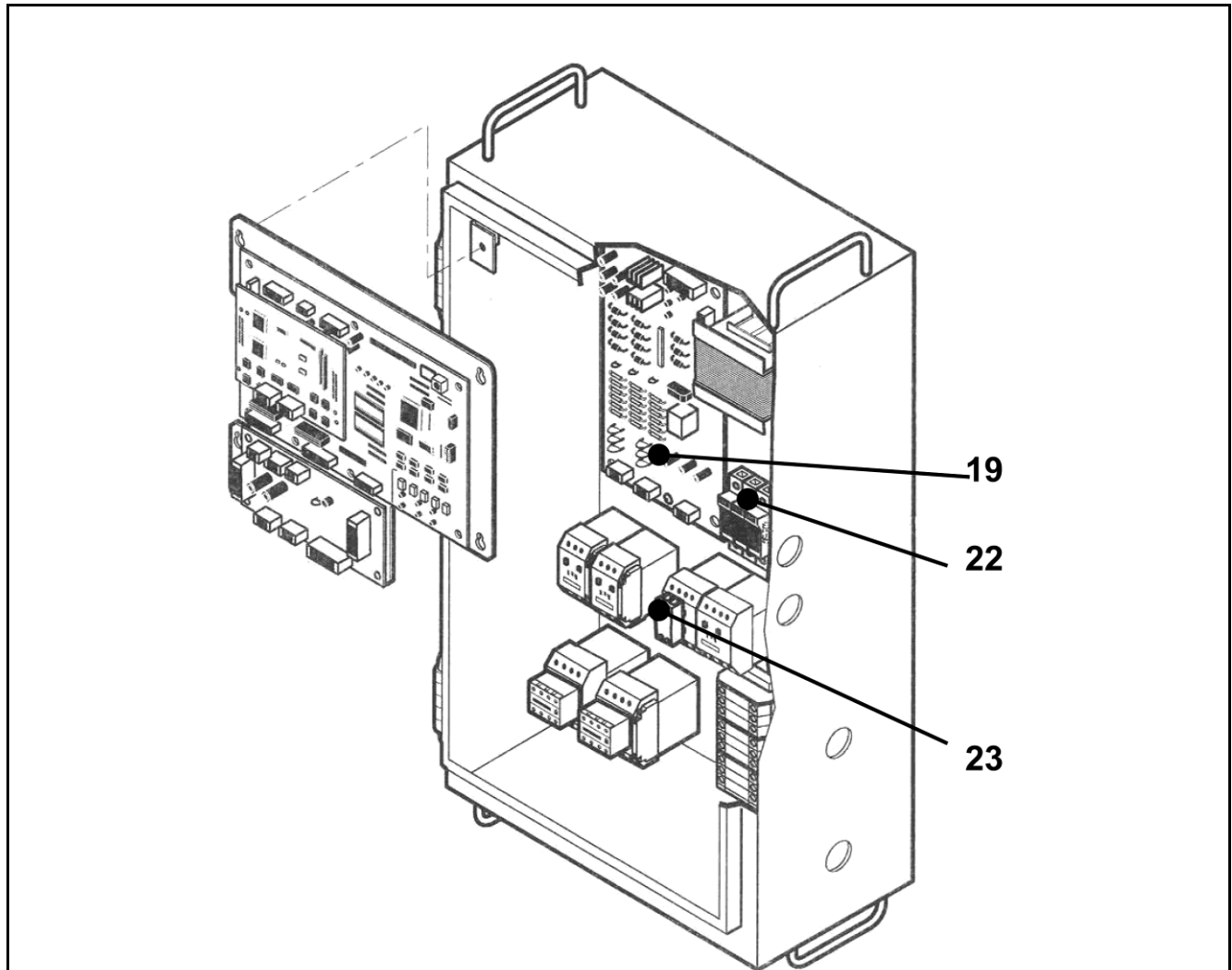


<b>W/O VINTAGE</b>			
<b>REF. No.</b>	<b>PART No.</b>	<b>DESCRIPTION</b>	<b>MATERIAL</b>
15	ASG00C518B	Magnetic Contactor (208, 230 V, 5.5, 7.5 KW) (380~600 V, 5.5, 7.5, 9.5, 11 KW)	UP or DOWN Operation  (C11U, C12D)
	ASG01C518C	Magnetic Contactor (208, 230 V, 9.5 KW)	
	ASG01C518D	Magnetic Contactor (208, 230 V, 11 KW)	
18	ASG00C313C	Aux. Contact Unit	---



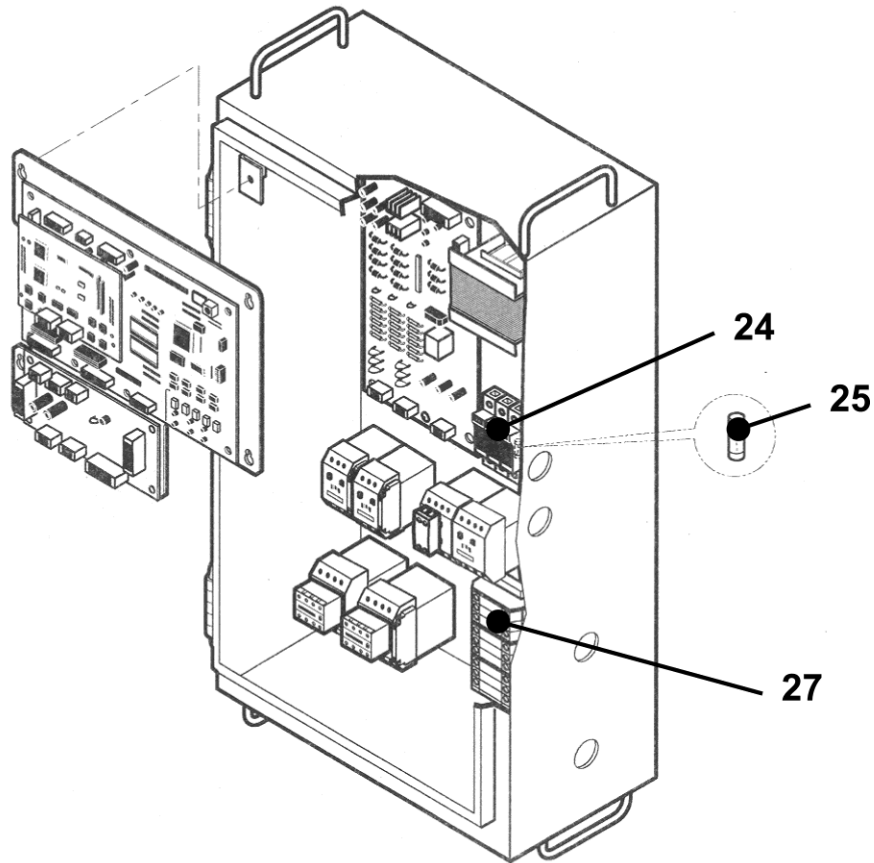
**10-ASA03C357**

# OCE521 Escalator Main Controller



W/O VINTAGE			
REF. No.	PART No.	DESCRIPTION	MATERIAL
19	ASG00C518A	Magnetic Contactor (208, 230 V, 5.5, 7.5 KW) (380~600 V, 5.5, 7.5, 9.5, 11 KW)	Wye Delta Operation  (C3STU, C4ST)
	ASG01C518B	Magnetic Contactor (208, 230 V, 9.5 KW)	
	ASG01C518C	Magnetic Contactor (208, 230 V, 11 KW)	
22	ASG00C176A	Aux. Relay	Total Safety Check
23	ASG00C313B	Aux. Contact Unit	---

**OCE521 Escalator  
Main Controller**



W/O VINTAGE		
REF. No.	PART No.	DESCRIPTION
24	ASG00C519B	Fuse Holder
25	ASG00C579A	Fuse (power 208, 230 V), 600 V, 2 A
	ASG00C579C	Fuse (power 380, 600 V), 600 V, 1 A
27	ASG00C528A	Terminal Block (208, 230 V, 5.5, 7.5 KW) (380~600 V, 5.5, 7.5, 9.5, 11 KW)
	ASG00C528B	Terminal Block (208, 230 V, 9.5, 11 KW)