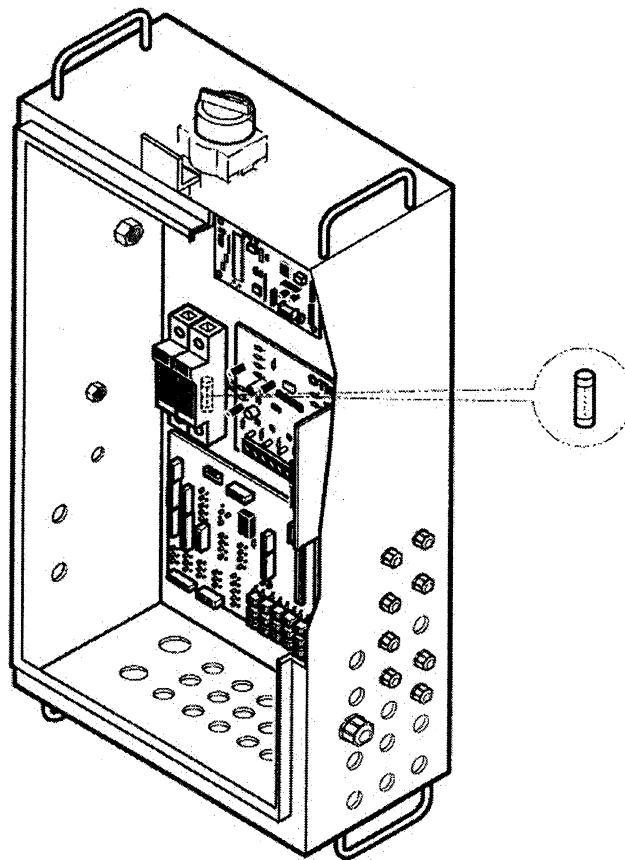


# OCE521 Escalator Auxiliary Controller

**Spare Parts Leaflet**

**10-ASA03C358**

11/01/2006 / Page 1 of 3



**OTIS**

**Safety First!**

**Escalator Department  
Otis Elevator Company  
Changwon, Korea**

**Leaflet Description**

OCE521 Escalator Auxiliary Controller

**Leaflet Revisions**

<b>Date Revised</b>	<b>Subject Matter Expert</b>	<b>Reason for Revision</b>
November 1, 2006		Release

**Related Drawings**

<b>Drawing No.</b>	<b>Title</b>	<b>Drawing No.</b>	<b>Title</b>
ASG00C580	Aux. Controller		

**Related Documents**

<b>Document ID</b>	<b>Title</b>
BOM	

**Subject Matter Expert**

<b>Name</b>	<b>Department</b>

**About Spare Parts Leaflets...**

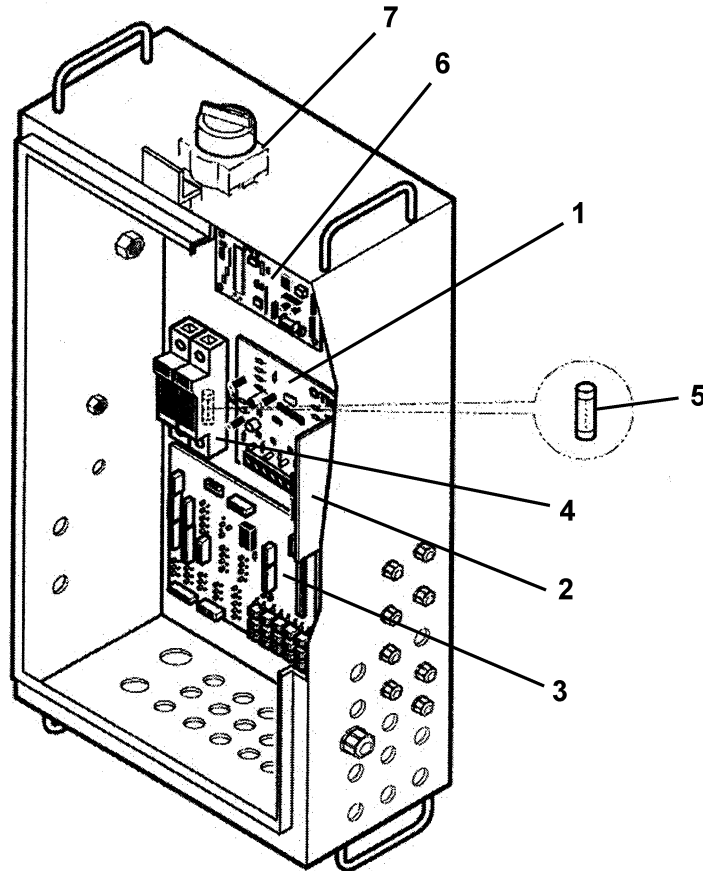
This document lists the lowest replaceable units (LRUs) for the standard version of the product. The LRUs are chosen by a team of Otis associates representing engineering and manufacturing.

While goal of this document is to make parts identification as easy as possible, the document cannot be all-inclusive. Elevator and escalator contracts classified as "special" or "custom" are not addressed here. For such contracts, please refer to specified information, the contract folder, TIPs, Field Education Articles, Construction Letters, etc. for further information.

If you have any suggestions about this document, please contact the subject matter expert listed on this page.

# OCE521 Escalator Aux. Controller

**10-ASA03C358**



W/O VINTAGE		
REF. No.	PART No.	DESCRIPTION
1	ASG00C429B	SMD (Step Missing Device) PCB ASY
2	ASG00C429D	HSD (Handrail Speed Detector) PCB ASY
3	ASG00C522A	ECN-110 PCB ASY
4	ASG00C519A	Fuse Holder
5	ASG00C579D	Fuse, 600 V 10 A
6	3L80523B	ESMP-100 PCB ASY (Option)
7	3X07633A	Selector Switch