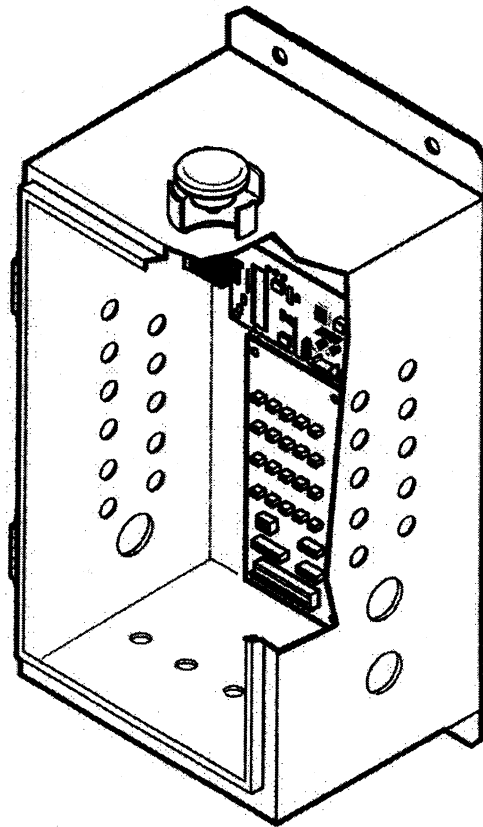


**OCE521 Escalator
Junction Box**

Spare Parts Leaflet

10-ASA03C359

11/01/2006 / Page 1 of 3



OTIS

Safety First!

**Escalator Department
Otis Elevator Company
Changwon, Korea**

Leaflet Description

OCE521 Escalator Junction Box

Leaflet Revisions

Date Revised	Subject Matter Expert	Reason for Revision
November 1, 2006		Release

Related Drawings

Drawing No.	Title	Drawing No.	Title
ASG00C270	Junction Box		

Related Documents

Document ID	Title
BOM	

Subject Matter Expert

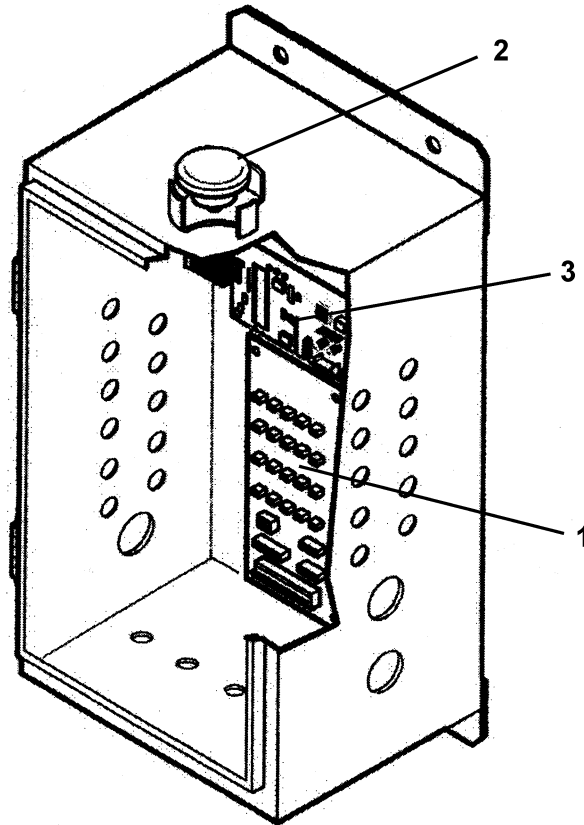
Name	Department

About Spare Parts Leaflets...

This document lists the lowest replaceable units (LRUs) for the standard version of the product. The LRUs are chosen by a team of Otis associates representing engineering and manufacturing.

While goal of this document is to make parts identification as easy as possible, the document cannot be all-inclusive. Elevator and escalator contracts classified as "special" or "custom" are not addressed here. For such contracts, please refer to specified information, the contract folder, TIPs, Field Education Articles, Construction Letters, etc. for further information.

If you have any suggestions about this document, please contact the subject matter expert listed on this page.



W/O VINTAGE		
REF. No.	PART No.	DESCRIPTION
1	ASG00C523A	ECN-210 PCB ASY
2	ASG00C062A	E.STOP SWITCH
3	3L80523B	ESMP-100 PCB ASY (Option)