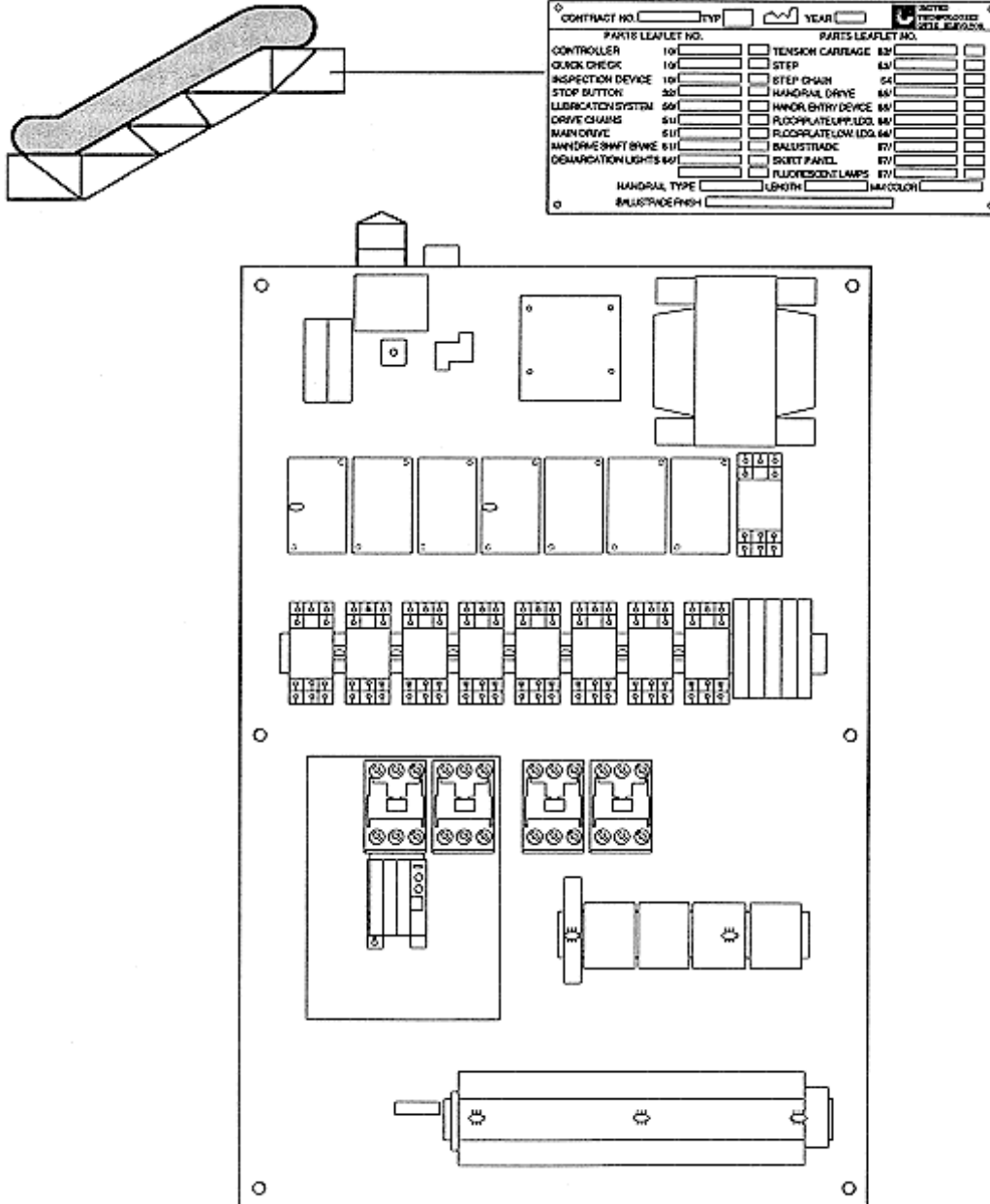


SPL 10-BAA26200AB - Controller Escalator UBSL

Unpublished Work - © Otis Elevator Company. Any unauthorized reproduction, disclosure, or distribution of copies or content by any person of any portion of this work may be a violation of Copyright Law of the United States of America. All rights reserved.

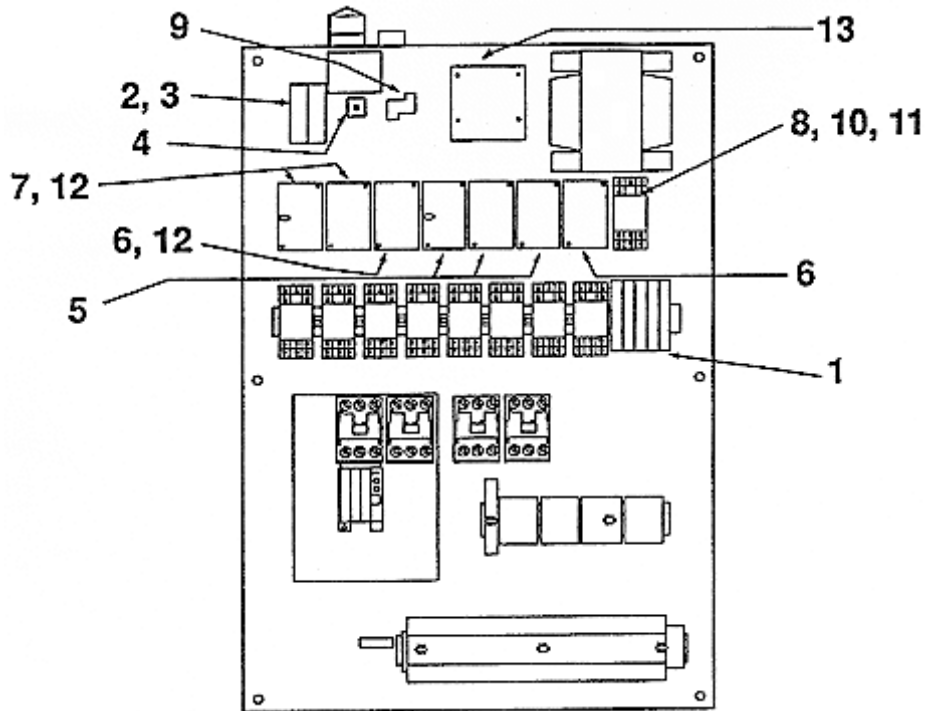
January 1997

Page 1



SPL 10-BAA26200AB - Controller Escalator UBSL

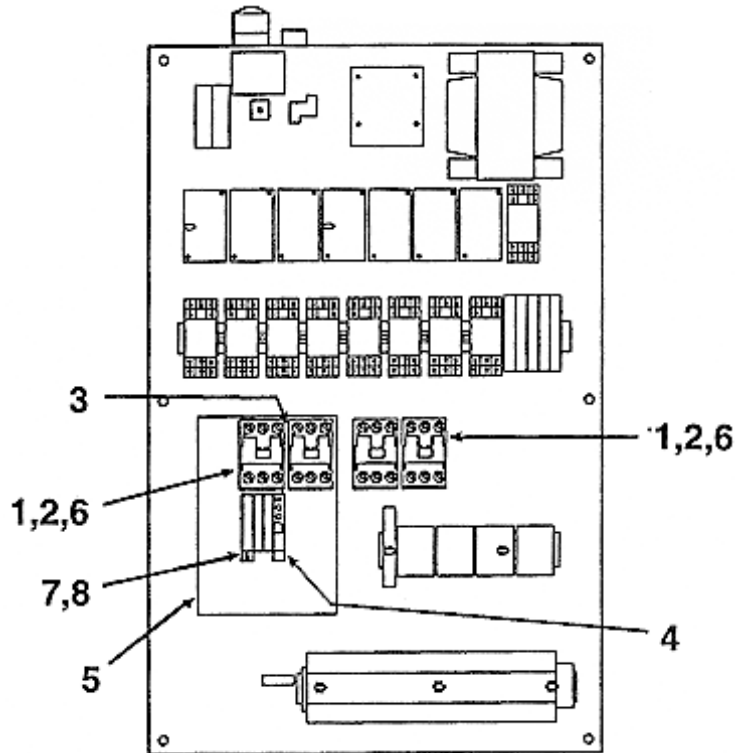
Page 2



REF. NO.	VINTAGE PART NO.	DESCRIPTION
1	AAA637E11	Circuit Breaker, 0.5A @250V
2	AAA653D1	Fuse Block, 2-Pole, 30.0A, 600V
	AAA375BK24	Fuse, Primary, 2.5A
	AAA375BK26	Fuse, Primary, 3.0A
3	AAA375BK29	Fuse, Primary, 4.0A
	AAA375BK33	Fuse, Primary, 6.0A
	AAA375BK35	Fuse, Primary, 7.0A
4	230BS5	Rectifier, Bridge, Single Phase, 30.0A
5	AAA613DH2	Relay, 4-Pole, 2 N.O., 2 N.C. Contacts, 24VAC, 60HZ Coil
	AAA613DH1	Relay, 4-Pole, 2 N.O., 2 N.C. Contacts, 24VAC, 50HZ Coil
6	AAA613DH4	Relay, 4-Pole, 3 N.O., 1 N.C. Contacts, 24VAC, 60HZ Coil
	AAA613DH5	Relay, 4-Pole, 3 N.O., 1 N.C. Contacts, 24VAC, 50HZ Coil
7	AAA613DH3	Relay, 4-Pole, 3 N.O., 1 N.C. Contacts, 110/120VAC, 50/60HZ Coil
8	AAA613CZ14	Relay, Gen. Purpose Plug-in, 3-Pole, 2-Throw, 24VAC, 50-60Hz Coil
9	AAA232FE3	Resistor, 30W, 27W
10	AAA618AF2	Socket, Relay, Screw Terminal, Din Rail Mounted
11	D5PB1	Spring, Hold Down for Gen. Purpose Relay
12	AAA00605AAA22	Suppressor, Arc, PIV 375V, 0.5W, 250VDC/125VAC
13	GO225DJ1	Transformer, 75VA, Pri.: 120V, Sec.: 24V Class 2

SPL 10-BAA26200AB - Controller Escalator UBSL

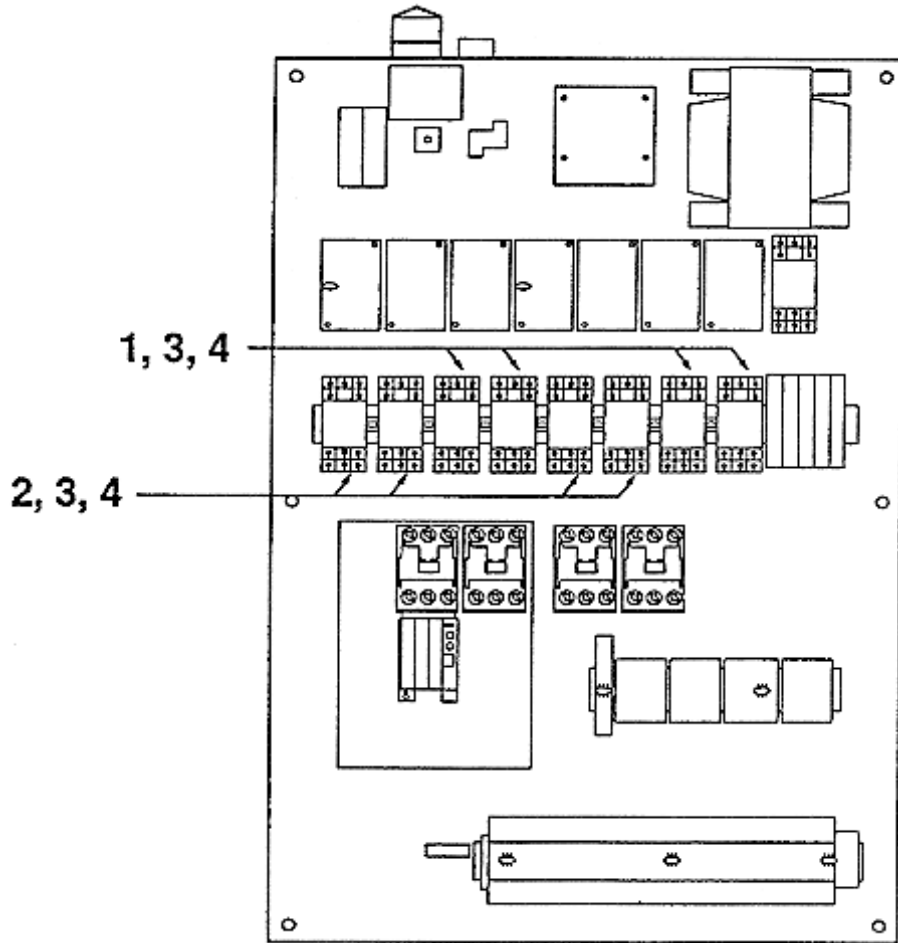
Page 3



REF. NO.	VINTAGE PART NO.		DESCRIPTION	
1	AAA638AC81		Contact, Auxiliary, 3 N.O., 1 N.C. Contacts	
	AAA638AC69		Contact, Auxiliary, 1 N.C. Contact	
2	AAA638AC2		Contactor, AC, 600V Max., Size 'K', 110-120V Coil, 50/60HZ	
	AAA638AC1		Contactor, AC, 600V Max., Size 'F', 120VAC Coil, 50-60HZ	
3	AAA638AC100		Interlock Mechanical	
4	AAA660D100		Locking Cover	
5	17-18402		Plate, Mounting	
6	AAA00605AAA22		Suppressor, Arc, PIV 375V, 0.5W, 250VDC/125VAC	
	OBSOLETE	REPLACE BY		
7	HEATERPACK	AAA660D72	AAA660D113(VENDORP/NH2013B-3)	TO REPLACE OBSOLETE P/N AAA660D69 THRU AAA660D75, ALSO ADD LUG ADAPTOR SET P/N AAA660D200 (INCLUDES 3 LUG ADAPTORS)
		AAA660D73	AAA660D114(VENDORP/NH2014B-3)	
		AAA660D74	AAA660D115(VENDORP/NH2015B-3)	
		AAA660D71	AAA660D112(VENDORP/NH2012B-3)	
		AAA660D75	AAA660D116(VENDORP/NH2016B-3)	
		AAA660D70	AAA660D111(VENDORP/NH2011B-3)	
		AAA660D69	AAA660D110(VENDORP/NH2010B-3)	
8	AAA660D1	AAA660D3	Relay, Overload, 30.0A Max (for Size 'F' Starter)	
	AAA660D2	AAA660D4	Relay, Overload, 75.0A Max (for Size 'K' Starter)	

SPL 10-BAA26200AB - Controller Escalator UBSL

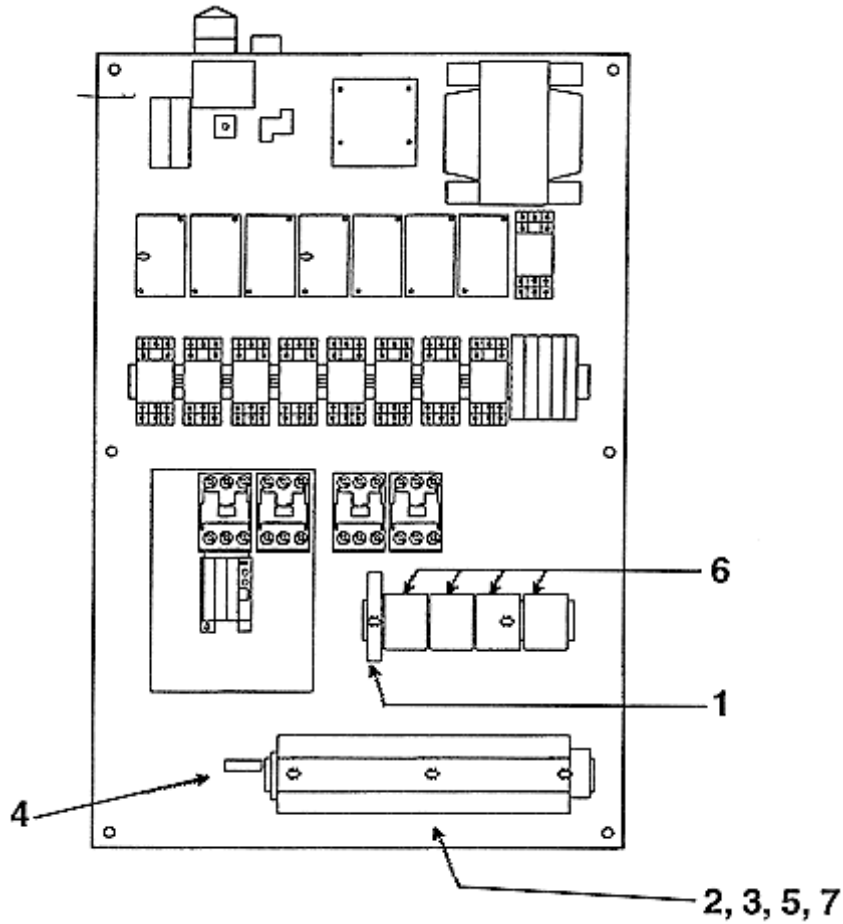
Page 4



REF. NO.	VINTAGE PART NO.	DESCRIPTION
1	AAA613CZ14	Relay, Gen. Purpose Plug-in, 3-Pole, 2-Throw, 24VAC, 50-60Hz Coil
2	AAA613CZ15	Relay, Gen. Purpose Plug-in, 3-Pole, 2-Throw, 120VAC,50-60Hz Coil
3	AAA618AF2	Socket,Relay, Screw Terminal, Din Rail Mounted
4	D5PB1	Spring, Hold Down for Gen. Purpose Relay

SPL 10-BAA26200AB - Controller Escalator UBSL

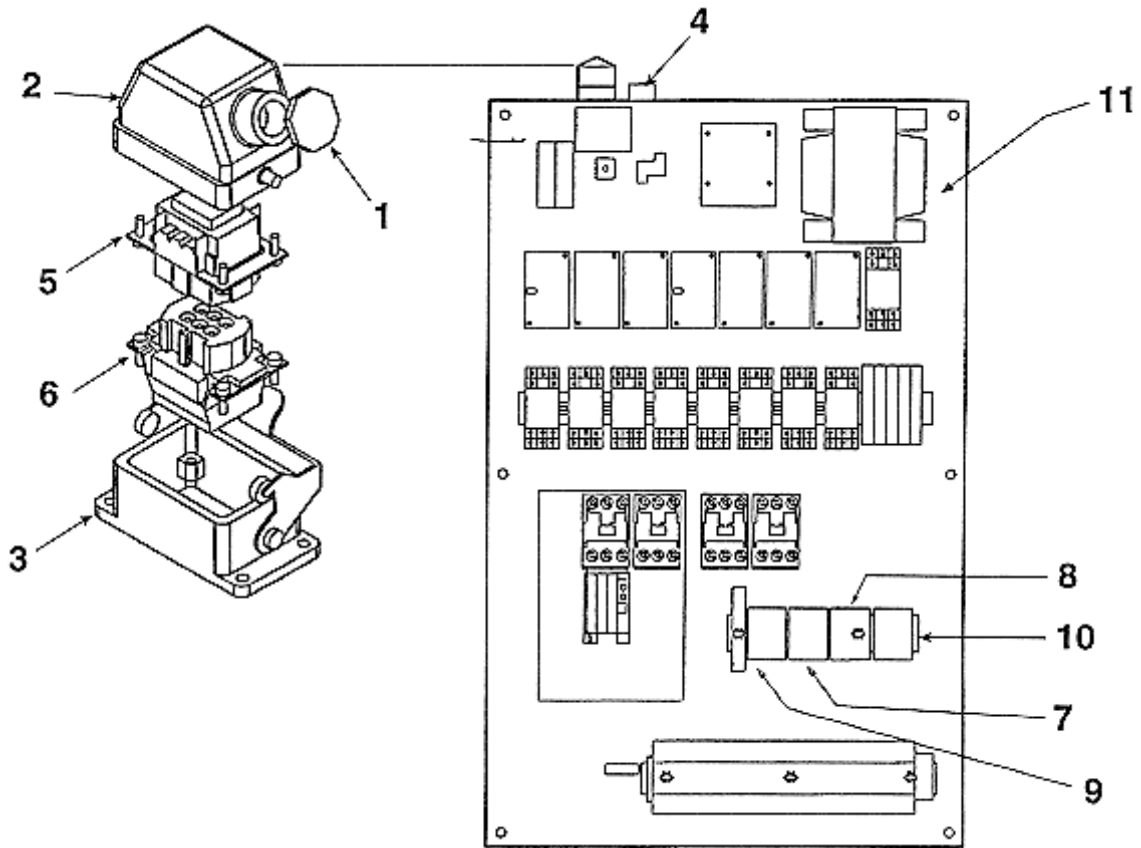
Page 5



REF. NO.	VINTAGE PART NO.	DESCRIPTION
1	AAA637E12	Circuit Breaker, 6.0A @250V
2	AAA303EP103	End Plate, Terminal Block
3	AAA303EP5	End Stop, Terminal Block
4	ABA650A4	Ground Bar, 4-14 AWG, 65A Max., 8 Terminals
	ABA650A5	Ground Bar, 4-14 AWG, 65A Max., 6 Terminals
	ABA650A6	Ground Bar, 4-14 AWG, 65A Max., 4 Terminals
5	AAA303EP101	Jumper Bar, Insulated, 10 Pole
	AAA303EP102	Jumper Bar, Insulated, 2 Pole
6	AAA618AF7	Socket, Relay, 8-Pin, 10.0A, 250V
7	AAA303EP100	Terminal Block

SPL 10-BAA26200AB - Controller Escalator UBSL

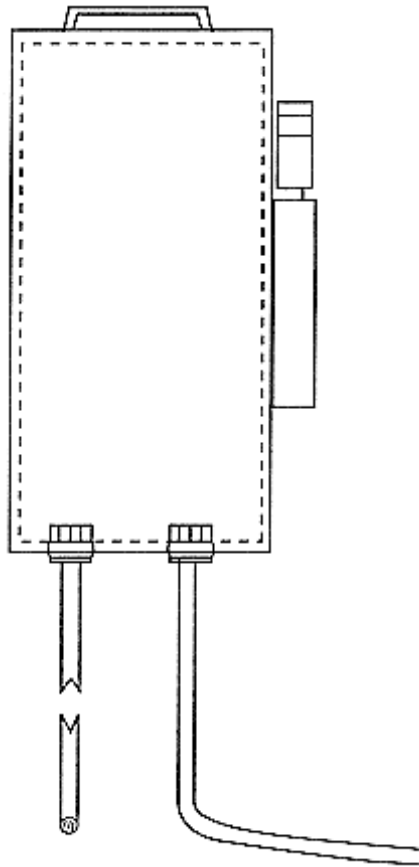
Page 6



REF. NO.	VINTAGE PART NO.	DESCRIPTION
1	AAA176HL102	Blanking Piece
2	AAA176HL100	Hood
3	AAA176HL101	Housing
4	CAA623B1	Meter, Hour
5	AAA176HM1	Plug Connector w/Jumper Cable
6	AAA176HL1	Receptacle, Screw Terminal
7	AAA630Z1	Timer, Off Delay (0.1 to 10 Sec.)
8	AAA630Z2	Timer, Off Delay (0.6 to 30 Sec.)
9	AAA630Z3	Timer, On Delay, 24VAC, (0.1 to 10 Sec.)
10	AAA630Z4	Timer, On Delay, 120VAC, (0.1 to 10 Sec.)
11	AAA225HG1	Transformer, 550VA, Primary: 440/460/480/220/230/240 Secondary: 110/115/120
	AAA225HG2	Transformer, 550VA, Primary: 550/575/600, Secondary: 110/115/120
	AAA225HG3	Transformer, 550VA, Primary: 380/400/415, Secondary: 110/115/120
	AAA225HG4	Transformer, 550VA, Primary: 208V, Secondary: 120V

SPL 10-BAA26200AB - Controller Escalator UBSL

Page 7



REF. NO.	VINTAGE	
	PART NO.	DESCRIPTION
1	AAA177ET1	Disconnect, 30.0A
	AAA177ET2	Disconnect, 60.0A
	AAA177ET3	Disconnect, 100.0A
2	AAA375CG1	Fuse, 17.5A, Used with 30.0A Disconnect
	AAA375CG2	Fuse, 20.0A, Used with 30.0A Disconnect
	AAA375CG3	Fuse, 25.0A, Used with 30.0A Disconnect
	AAA375CG4	Fuse, 30.0A, Used with 30.0A Disconnect
	AAA375CG5	Fuse, 50.0A, Used with 60.0A Disconnect
	AAA375CG6	Fuse, 40.0A, Used with 60.0A Disconnect
	AAA375CG7	Fuse, 45.0A, Used with 60.0A Disconnect
	AAA375CG8	Fuse, 60.0A, Used with 60.0A Disconnect
	AAA375CG9	Fuse, 70.0A, Used with 100.0A Disconnect