

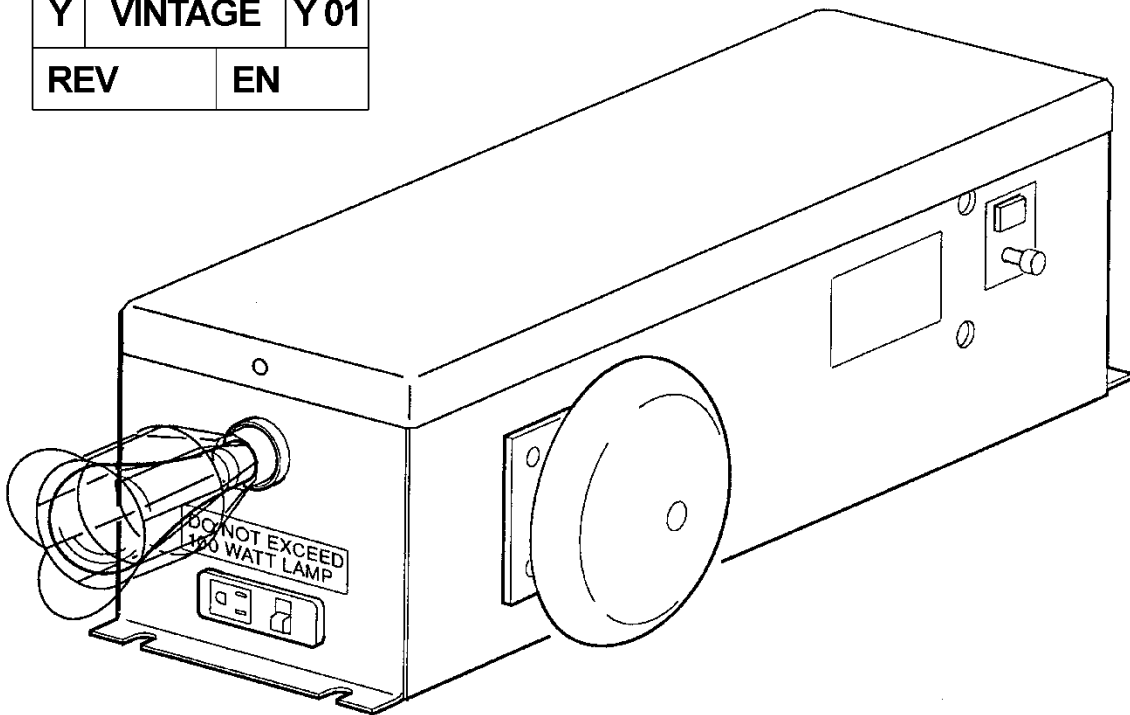
Emergency Power Supply and Light Fixture

Spare Parts Leaflet

10-C7003R

August 17, 2016 / Page 1 of 6

| | | |
|-----|---------|------|
| 10 | C7003R | |
| Y | VINTAGE | Y 01 |
| REV | EN | |



OTIS

SERVICE ENGINEERING
Otis Elevator Company
Bloomfield, Connecticut USA

Unpublished Work—© Otis Elevator Co.; 2016

Leaflet Description

This leaflet provides spare parts information for emergency power supply and light fixtures.

Leaflet Revisions

| Date Revised | Subject Matter Expert | Reason for Revision |
|---------------------|------------------------------|--|
| March 1997 | --- | --- |
| April 1999 | Burt Greenfield | Added battery part number |
| August 6, 2006 | John Dwyer | Added p/n AAA177EN6 in ref. 6, on p. 4 |
| May 28, 2008 | John Doane | Updated information on pp. 3-4 |
| August 17, 2016 | Oliver Cai | Updated parts information |

Related Drawings

| Drawing No. | Title | Drawing No. | Title |
|--------------------|--------------|--------------------|--------------|
| --- | --- | --- | --- |

Related Documents

| Document ID | Title |
|--------------------|--------------|
| --- | --- |

Subject Matter Expert

| Name | Department |
|-------------|-------------------------|
| Oliver Cai | OSC Service Engineering |

About Spare Parts Leaflets...

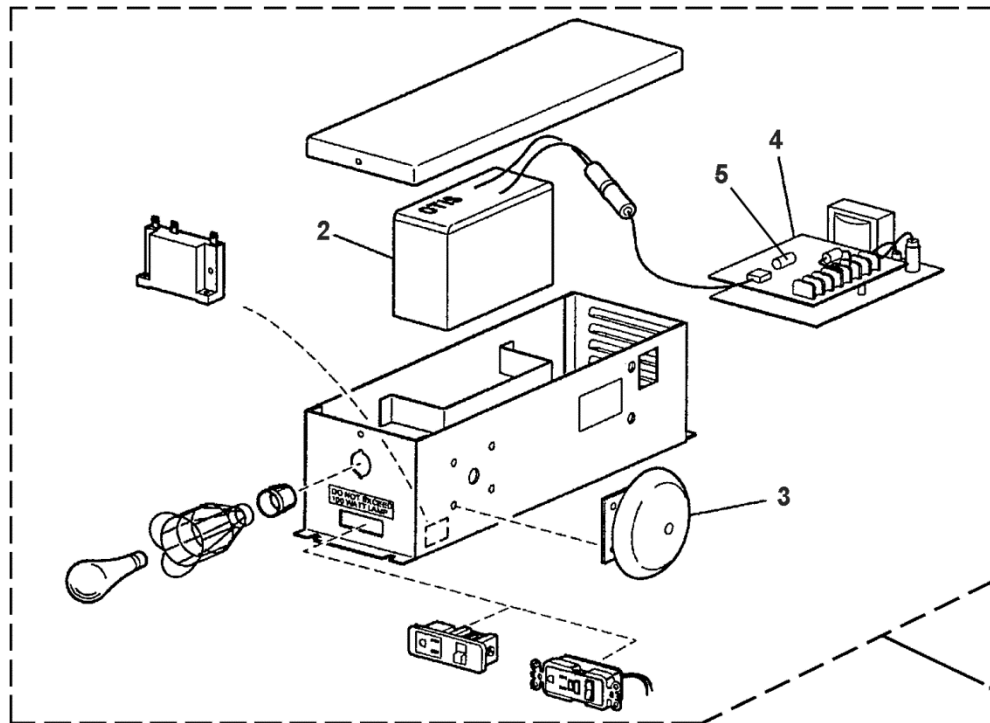
This document lists the lowest replaceable units (LRUs) for the standard version of the product. The LRUs are chosen by a team of Otis associates representing engineering and manufacturing.





While goal of this document is to make parts identification as easy as possible, the document cannot be all-inclusive. Elevator and escalator contracts classified as “special” or “custom” are not addressed here. For such contracts, please refer to specified information, the contract folder, TIPS, Field Education Articles, Construction Letters, etc. for further information.

If you have any suggestions about this document, please contact the subject matter expert listed on this page.

Emergency Power Supply

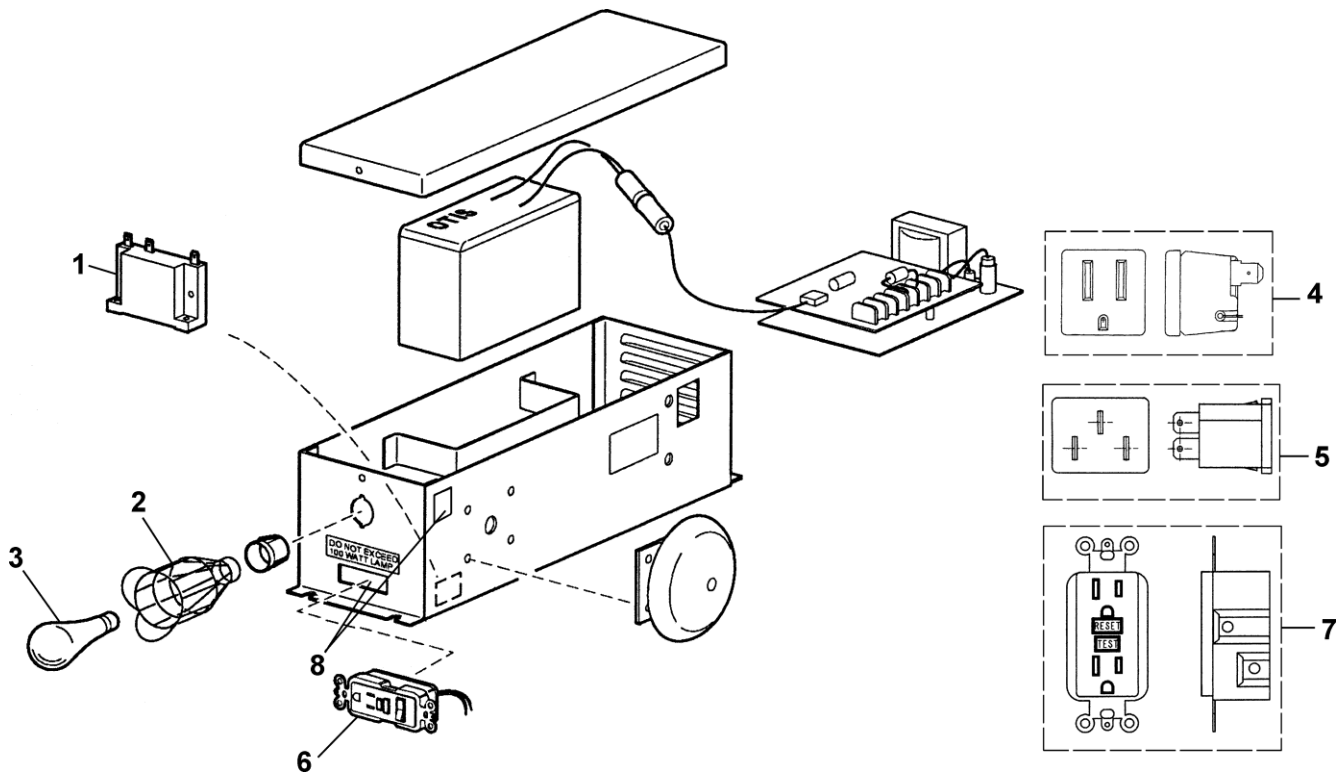
10-C7003R





| W/O VINTAGE & VINTAGE Y 01 | | |
|----------------------------|--------------------------------|---|
| REF. NO. | PART or ML | DESCRIPTION |
| 1 | C7003R5 C7003R9 | Assembly, Emergency Power Supply, w/ Flasher  |
| | C7003R4 C7003R8 C7003R10 | Assembly, Emergency Power Supply, w/o Flasher  |
| | C7003R7 | Assembly, Emergency Power Supply, 220 V Lamp  |
| 2 | 718AAC1 | Battery (8.57 in. x 5.57 in. x 2.80 in.) 12 VDC |
| | POW PS-1212OL | Battery (8.38 in. x 5.50 in. x 2.75 in.) 12 VDC (Use on older systems requiring smaller size) |
| 3 | V311B7 AAA311E2 | Bell, Alarm, 12 VDC |
| 4 | B628B4 C628B4 D628B1 | Charger, Battery 120 VAC Input |
| | C628B2 D628B2 | Charger, Battery 200–250 VAC Input  |
| 5 | AAA375BT26 | Fuse, Fast Acting, AGC 1-1/2A |

10-C7003R

Emergency Power Supply

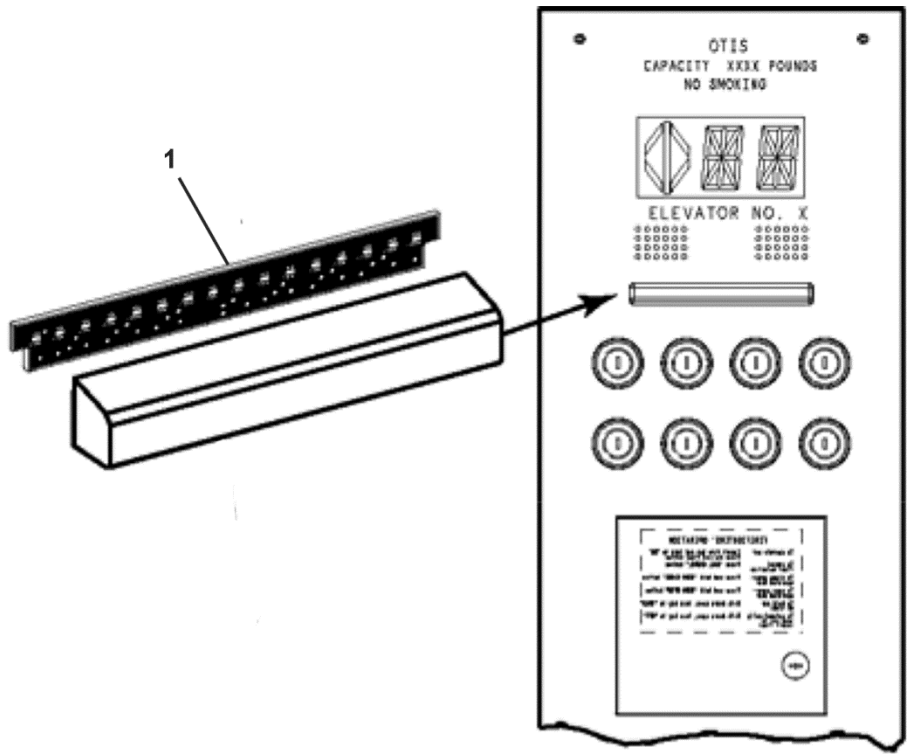


**W/O VINTAGE &
VINTAGE Y 01**

| REF. NO. | PART or ML | DESCRIPTION |
|----------|-----------------------|---|
| 1 | 623W1 | Flasher |
| 2 | V384MJ1 AAA384ABX1 | Guard, Lamp |
| 3 | 6599D10 | Lamp, 120 V, 100 W |
| | 6599D14 | |
| | 6599D13 | Lamp, 220 V, 100 W  |
| | 6599D15 | |
| 4 | 6599R1 | Receptacle, 125 VAC, Simplex |
| 5 | AAA648C2 | Receptacle, 15 A, 250 V  |
| 6 | 641A2 | Receptacle, Ground Fault Current Interrupter |
| 7 | 641A3 | Receptacle, Ground Fault Current Interrupter, Duplex |
| 8 | 177DM1 AAA177EN6 | Switch |

Emergency Power Supply

10-C7003R

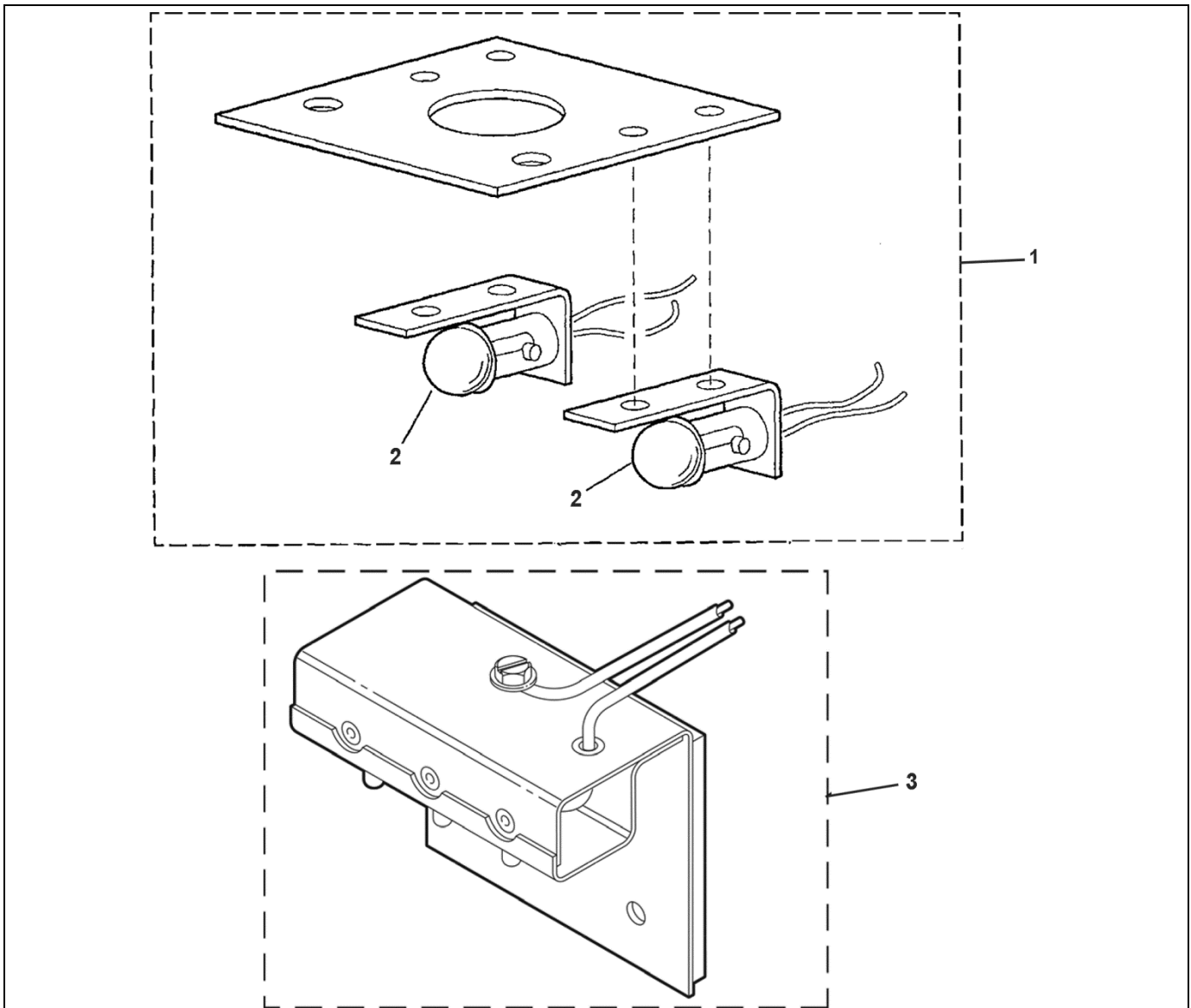


| W/O VINTAGE & VINTAGE Y 01 | | |
|----------------------------|--------------|-----------------------------------|
| REF. No. | PART No. | DESCRIPTION |
| 1 | AAA26800ASF1 | Assembly, Emergency Light, 12 VDC |

NOTE: Alternative 12 V emergency light fixture utilizing LEDs and used on M3 COPs.

10-C7003R

Emergency Power Supply



| W/O VINTAGE & VINTAGE Y 01 | | |
|---------------------------------------|-----------------|--|
| REF. No. | PART No. | DESCRIPTION |
| 1 | 417BN1 | Assembly, Emergency Light Fixture, see NOTE 1 |
| 2 | 424D3 | Lamp, Bayonet, 12 VDC |
| 3 | AAA417CH2 | Light, Emergency, 12 VDC; see NOTE 2 |

NOTE 1: This emergency light fixture is not mounted near, nor part of the emergency power supply box, but is rather mounted in the cab wall just above the COP in order to illuminate the COP area.

NOTE 2: Alternative 12V emergency light fixture. Not a direct replacement for 417BN1, but appropriate for Mod.