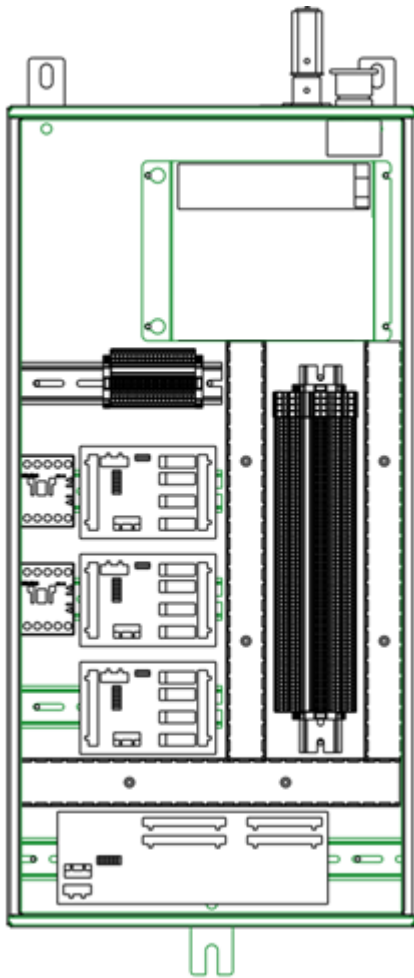


GECE-ANSI UPPER LANDING JUNCTION BOX

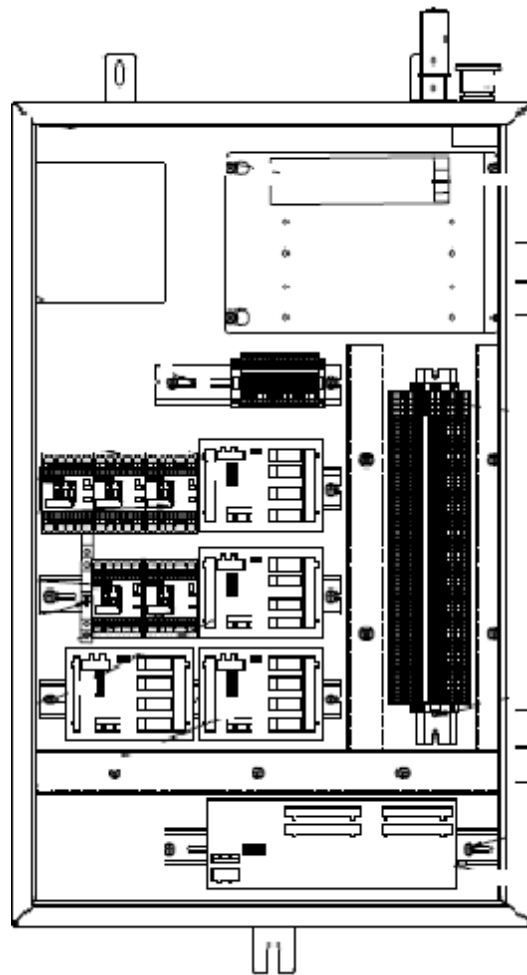
Spare Parts Leaflet

10-DAA26204BA

Feb. 6th, 2012 / Page 1 of 4



EB1 Arrangement



EB9 Arrangement

Unpublished Work—© Otis Elevator Co.

OTIS

This document does not contain any
technical data subject to EAR or ITAR

SERVICE ENGINEERING
Otis Elevator Company
Shanghai Electronics SSI

Leaflet Description

This leaflet describes the spare parts that may be ordered for GECS-ANSI Upper Landing Junction box.

Leaflet Revisions

Date Revised	Subject Matter Expert	Reason for Revision
Feb. 6 th , 2012	Andy LI	New
Jan. 4 th , 2013	Andy LI	Update
Jun. 27 th , 2014	Major Xing	Update PNs, 6-7 was DAA613NPD1 8-9 was GCA26803A20 10 was GDA26803B20
Aug. 16 th , 2017	Robin Zhou	Update
May. 10 th , 2019	Bo Liu	Delete T3.2, T3.3; Add JBU for EB9 arrangement
Dec. 23 rd , 2019	Bo Liu	Add change record of previous version.
Feb. 9 th , 2023	Tony Wang	Update format of date

Related Drawings

Drawing No.	Title	Drawing No.	Title
DAA26204BA	Upper landing junction box Layout	DAA26400AB	Master wiring diagram

Related Documents

Document ID	Title
DAA26204BA_ODS	Upper landing junction box ODS

Subject Matter Expert

Name	Department
Daniel Wang	Shanghai Electronics SSI

About Spare Parts Leaflets...

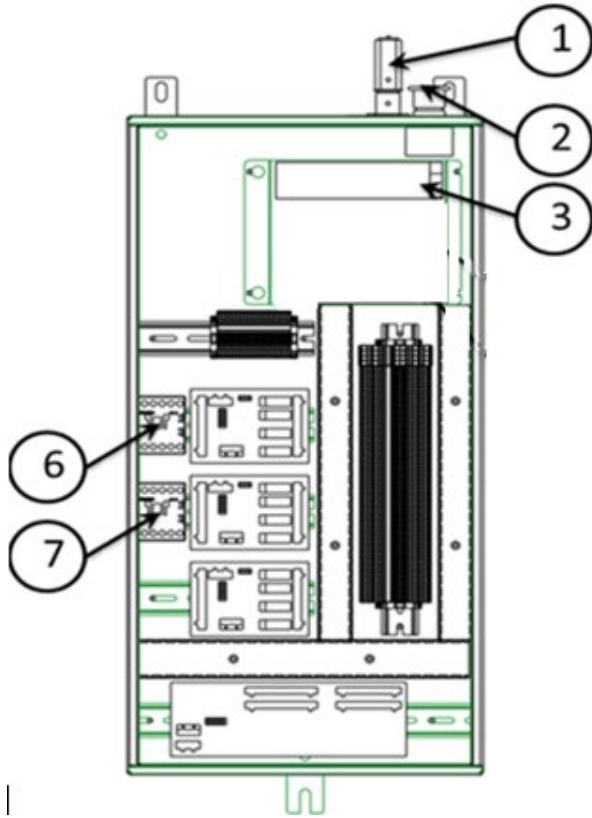
This document lists the lowest replaceable units (LRUs) for the standard version of the product. The LRUs are chosen by a team of Otis associates representing engineering and manufacturing.

While goal of this document is to make parts identification as easy as possible, the document cannot be all-inclusive. Elevator and escalator contracts classified as “special” or “custom” are not addressed here. For such contracts, please refer to specified information, the contract folder, TIPs, Field Education Articles, Construction Letters, etc. for further information.

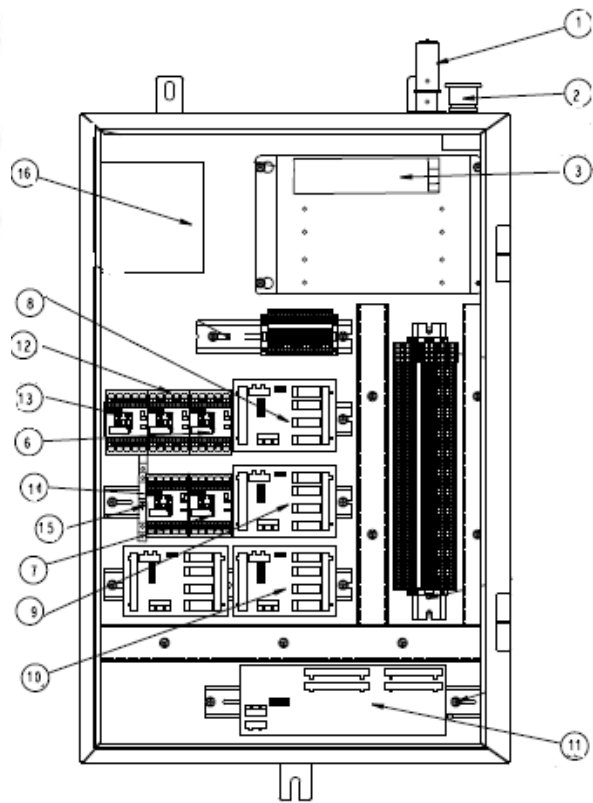
If you have any suggestions about this document, please contact the subject matter expert listed on this page.

DAA26204BA GECE-ANSI UPPER LANDING JUNCTION BOX

10-DAA26204BA



EB1 Arrangement

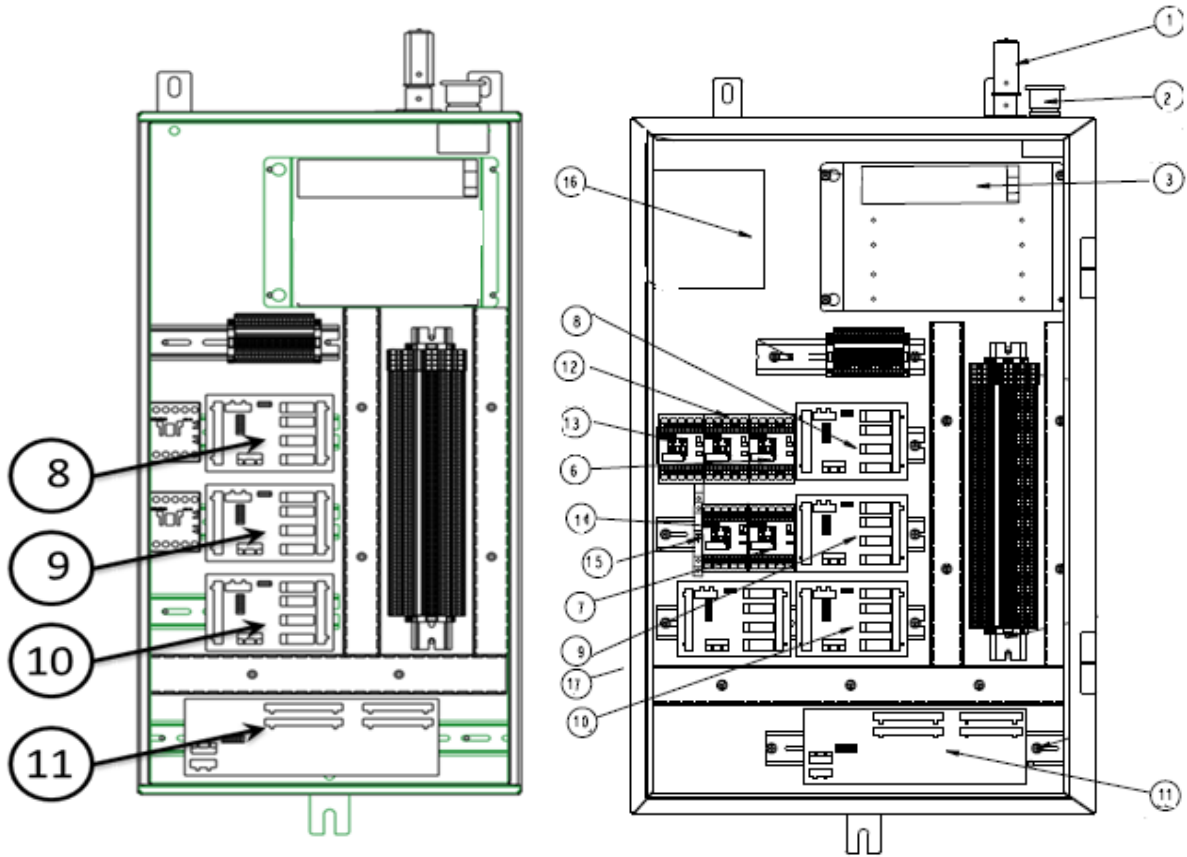


EB9 Arrangement

REF. No.	PART No.	DESCRIPTION
1	DAA174BLH2	INSPECTION PLUG AND HARNESS
2	JAA635ABG102	Q4 – STOP BOTTON
3	DAA621S1	T3.1 - DC Power Supply for USL/C (Optional)
6-7	DAA613NPD1 GAA613HN4 AAA638AM44	K02, K02.1 - SIEMENS RELAY

10-DAA26204BA

**DAA26204BA GECE-ANSI
UPPER LANDING JUNCTION
BOX**



EB1 Arrangement

EB9 Arrangement

REF. No.	VINTAGE PART No.	DESCRIPTION
8-10,17	GCA26803A20 DAA26803NNN1	ST1, ST2, ST3, ST6 – RS4R
11	GDA26803B20 DAA26803NNP1	RSFF_UL – RSFF for upper landing
12-13	AAA638AM43	K068, K068.1 - SIEMENS RELAY only for EB9 Arrangement
14	AAA638AM44	K061 - SIEMENS RELAY only for EB9 Arrangement
15	AAA637E35	S53.5-BUTTON only for EB9 Arrangement
16	XAA621AQ1	PW9-POWER SUPPLY only for EB9 Arrangement