

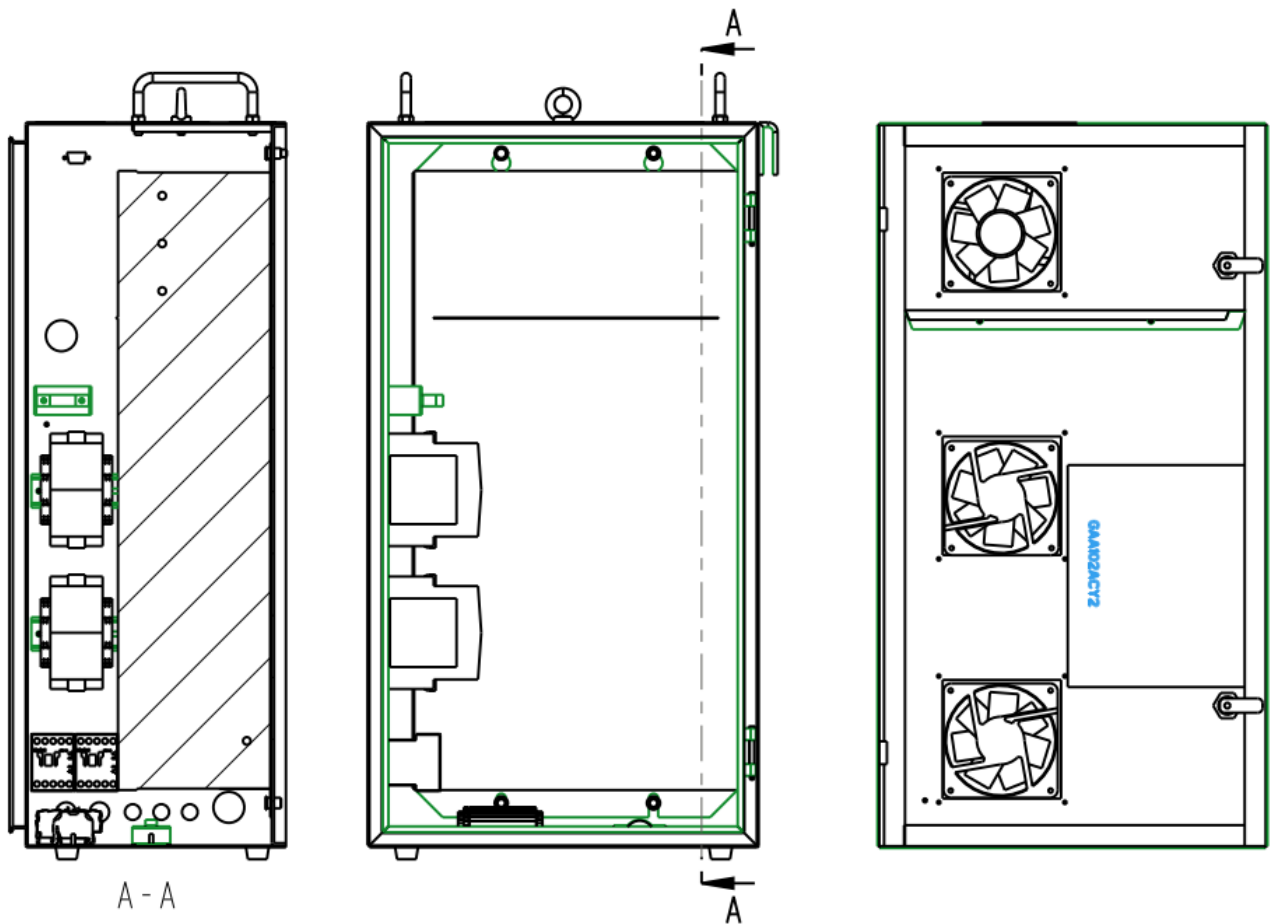
GECS-ANSI
DRIVE BOX

REGEN

Spare Parts Leaflet

10-DAA26210L

Feb. 6th, 2012 / Page 1 of 3



Unpublished Work—© Otis Elevator Co.

OTIS

Safety First!

SERVICE ENGINEERING
Otis Elevator Company
Shanghai Electronics SSI

Leaflet Description

This leaflet describes the spare parts that may be ordered for Regen Box. Regarding the SPL for GECS-ANSI Stand by VF Box, please reference to DAA26210M_SPL

Leaflet Revisions

Date Revised	Subject Matter Expert	Reason for Revision
Feb. 6 th , 2012	Andy LI	New
Jan. 4 th , 2013	Andy LI	Update
Jul. 7 th , 2014	Major Xing	Del “unreleased document” marking
Aug. 16 th , 2017	Robin Zhou	Update
Dec. 23 rd , 2019	Bo Liu	Add change record of previous version.
Feb. 9 th , 2023	Tony Wang	Update format of date
Sept. 9 th , 2023	Tony Wang	AAA638AM47 replaced AAA638AM447, CNT2301003

Related Drawings

Drawing No.	Title	Drawing No.	Title
DAA26210M	Stand by VF box Layout	DAA26400AB	Master wiring diagram
DAA26210L	Regen Drive box layout		

Related Documents

Document ID	Title
DAA26210L_ODS	Regen Drive Box ODS

Subject Matter Expert

Name	Department
Daniel Wang	Shanghai Electronics SSI

About Spare Parts Leaflets...

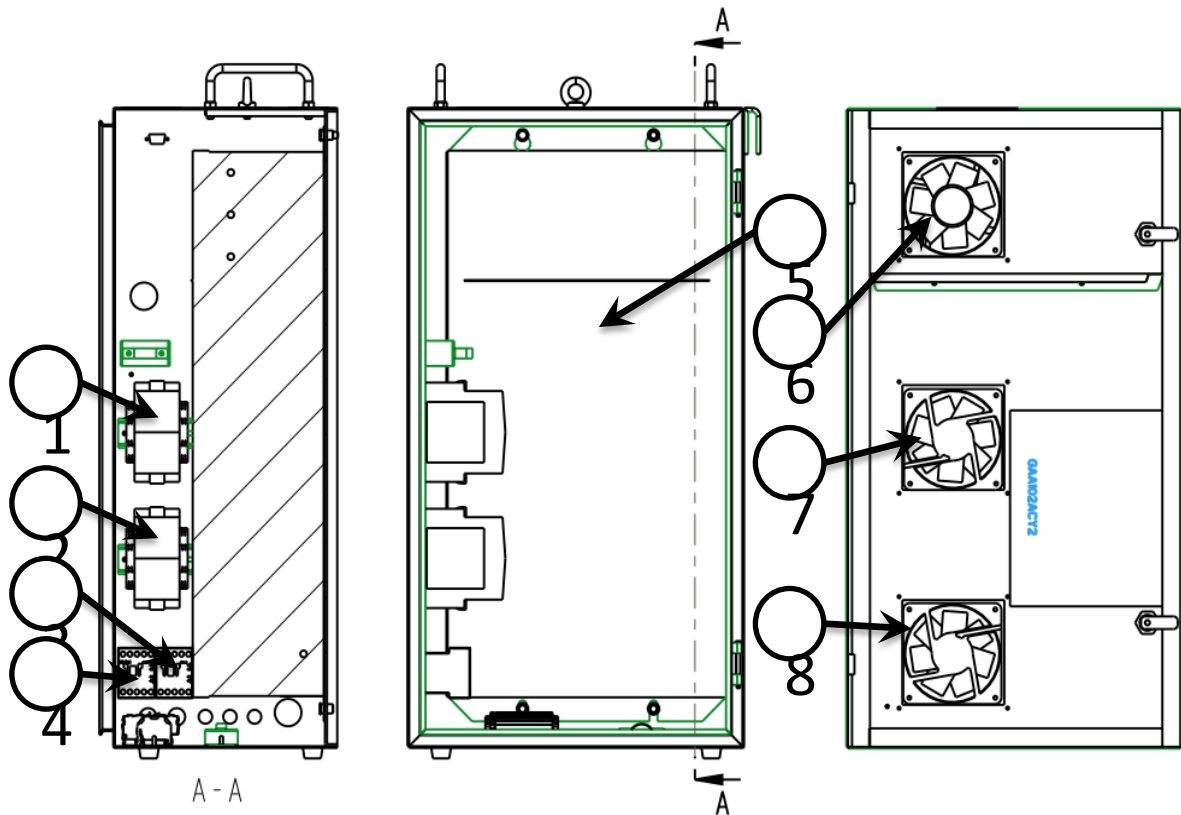
This document lists the lowest replaceable units (LRUs) for the standard version of the product. The LRUs are chosen by a team of Otis associates representing engineering and manufacturing.

While goal of this document is to make parts identification as easy as possible, the document cannot be all-inclusive. Elevator and escalator contracts classified as “special” or “custom” are not addressed here. For such contracts, please refer to specified information, the contract folder, TIPs, Field Education Articles, Construction Letters, etc. for further information.

If you have any suggestions about this document, please contact the subject matter expert listed on this page.

DAA26210L GECS-ANSI REGEN DRIVE BOX

10-DAA26210L



REF. No.	PART No.	DESCRIPTION
	VINTAGE	
1-2	GAA638CB2	SIMENS RELAY, K06/K06.a (Power<11.7 KW)
	GAA638CC2	SIMENS RELAY, K06/K06.a (Power=11.7 KW)
	DAA638T6	K6, K6.a – SIEMENS RELAY
3-4	DAA613NPD1	K089, K092 – SIEMENS RELAY
	AAA638AM47	
5	KBA21310ABB2	LCRD DRIVE, (Power>7.5KW, Voltage=440~480V)
	KBA21310ABC2	LCRD DRIVE, (Power=7.5KW, Voltage=440~480V)
	KBA21310ABB2	LCRD DRIVE, (Power=7.5KW, Voltage=440~480V)
	KBA21310ABB3	LCRD DRIVE, (Power>7.5KW, Voltage=200~220V)
6-8	DAA301D1	FAN1, FAN2, FAN3 – FAN (Used for IP54 cabinet)
	HAA301C2	FAN1, FAN2, FAN3 – FAN (Used for NEMA4 cabinet)