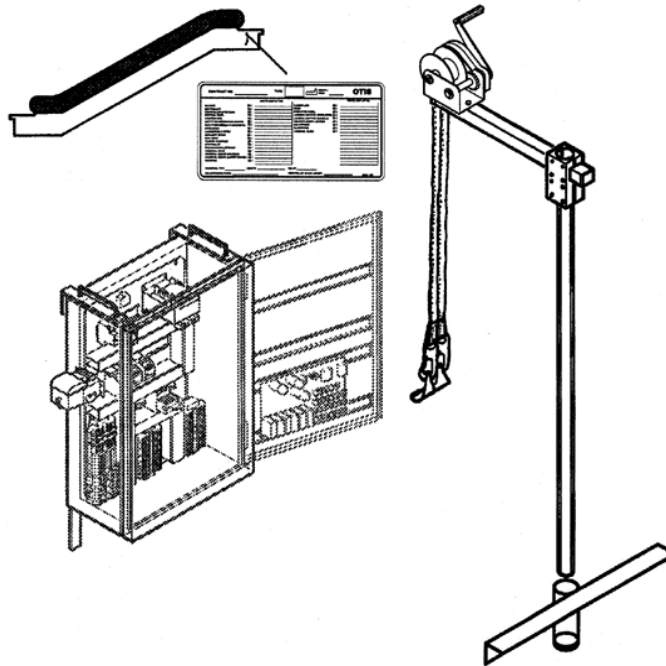


SPL 10-GAA26201M - Escalator Controller Lifting Device

Unpublished Work - © Otis Elevator Company. Any unauthorized reproduction, disclosure, or distribution of copies or content by any person of any portion of this work may be a violation of Copyright Law of the United States of America. All rights reserved.

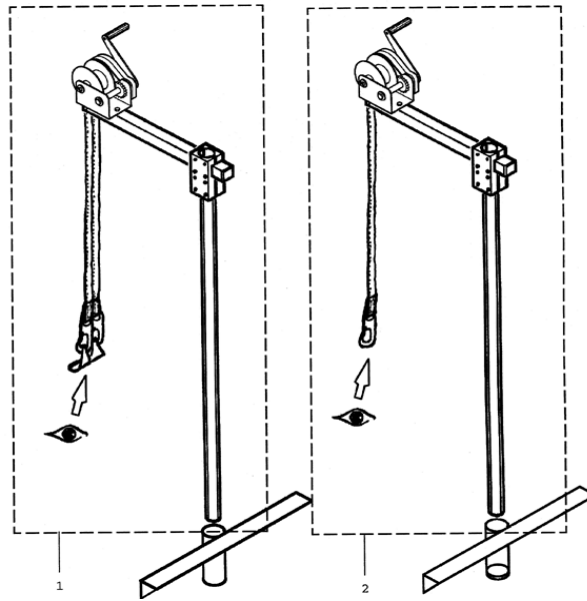
July 1, 1998

Page 1



SPL 10-GAA26201M - Escalator Controller Lifting Device

Page 2 - Escalator Controller Lifting Device



G..26201M		
REF. No.	PART No.	DESCRIPTION
1	GAA26201M1	Controller Lifting Device
2	GBA26201M1	Controller Lifting Device