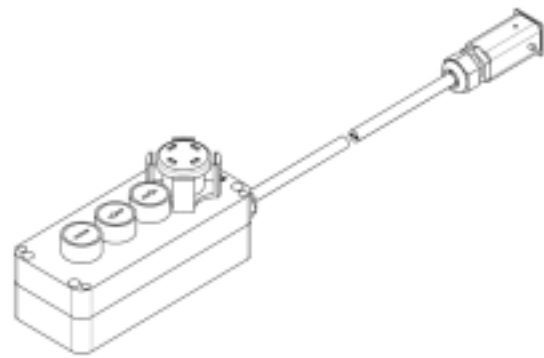
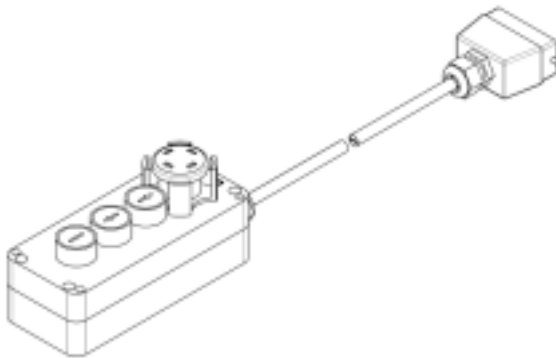
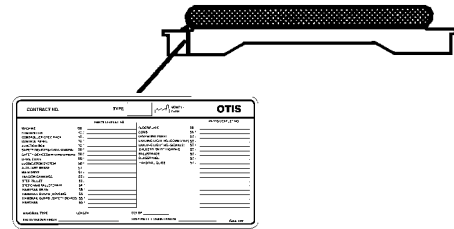
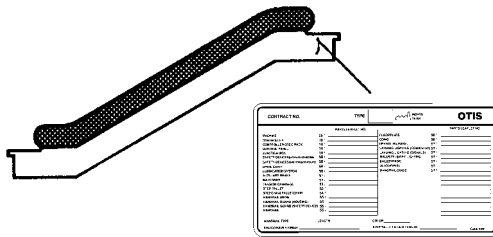


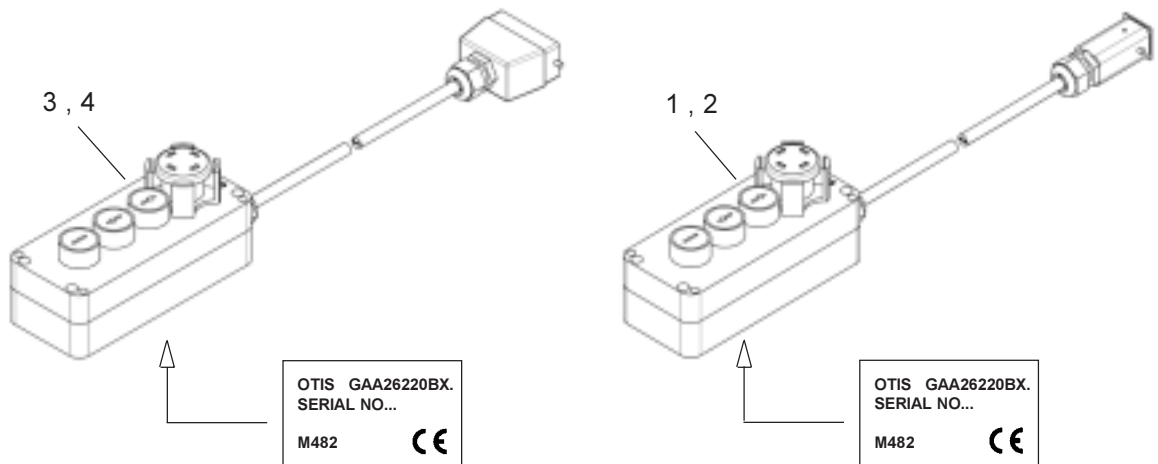
Escalator / Trav-O-Lator®

Controller Part, Miscellaneous:
Inspection Device

10-G..26220BX



OTIS



GAA26220BX			
REF.NO.	PART OR M.L.	DESCRIPTION	
1	GAA26220BX1	Inspection Device	Code:EN115 , IEC 364
2	GAA26220BX2	Inspection Device	Code:EN115 , IEC 364 Code Asme A17.1
3	GAA26220BX3	Inspection Device	Code:EN115 , IEC 364
4	GAA26220BX4	Inspection Device	Code:EN115 , IEC 364 Code Asme A17.1
		for Microprocessor - Controller w/ ECB - board 10-G..26400B	
		for Relay - / NCE1 - / NCE2 - Controller w/o ECB - board 10-GO9703BC 10-G..26200T	