

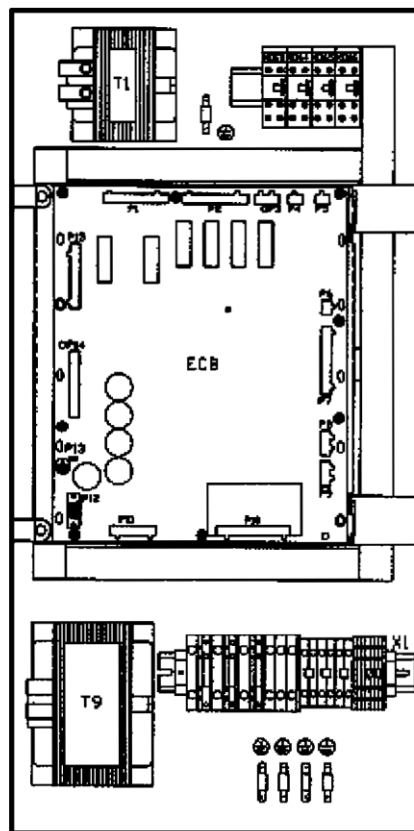


**CONTROLLER M.P. (ECS)  
TRAVOLATOR / ESCALATOR  
NCT/NPE/NPE-2/NCE/  
NCE-B/NCE-NAO**

**Spare Parts Leaflet  
10-GAA26400B  
JULY 2004 / Page 1 of 5**

- |                 |                                                                                   |                      |
|-----------------|-----------------------------------------------------------------------------------|----------------------|
| OVERLOAD RELAYS |  | S.P.L. 10/GO9752B    |
| TERMINALS       |  | S.P.L. 10/GO190      |
| TIMER           |  | S.P.L. 10/GO613AC    |
| MAIN SWITCHES   |  | S.P.L. 10/GO613AD-AW |
| TRANSFORMERS    |  | S.P.L. 10/GO225      |



**OTIS**

**Safety First!**

**OEC BERLIN  
Otis Elevator Company  
Berlin, Germany**

**Leaflet Description**

The leaflet includes components for ECS controller, applicable for escalator and travolator. The parts below are available for NCT, NPE, NPE-2, NCE, NCE-B, NCE-NAO.

- Escalator control board (ECB) with EPROM
- Battery & cable tie
- Rectifier
- Fuses
- Power circuit breaker
- Transformer

**Leaflet Revisions**

<b>Date Revised</b>	<b>Subject Matter Expert</b>	<b>Reason for Revision</b>
July 2004	Mustapha Toutaoui	Software updated

**Related Drawings**

<b>Drawing No.</b>	<b>Title</b>	<b>Drawing No.</b>	<b>Title</b>

**Related Documents**

<b>Document ID</b>	<b>Title</b>

**Subject Matter Expert**

<b>Name</b>	<b>Department</b>
Mustapha Toutaoui	Engineering Center Berlin

**About Spare Parts Leaflets...**

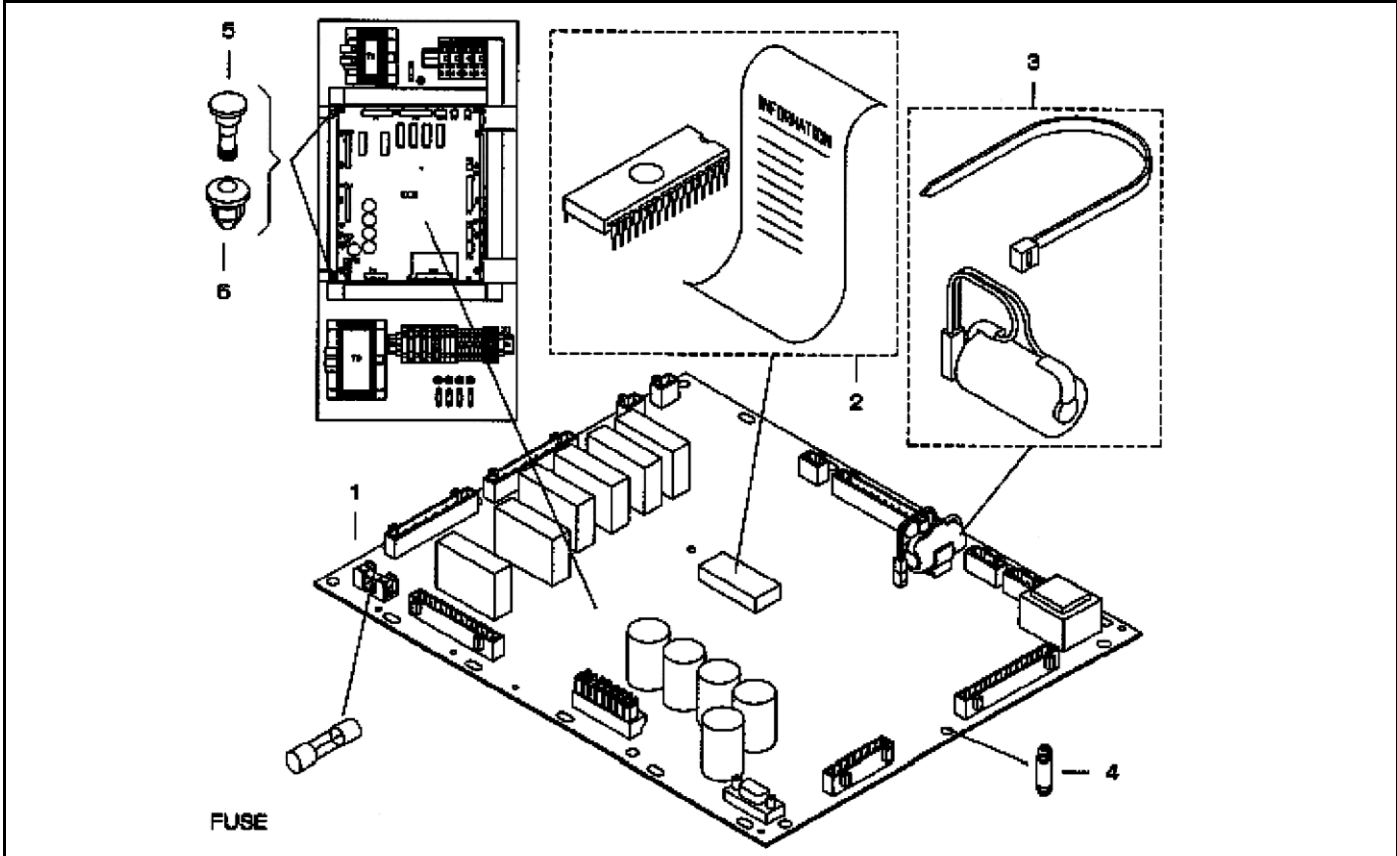
This document lists the lowest replaceable units (LRUs) for the standard version of the product. The LRUs are chosen by a team of Otis associates representing engineering and manufacturing.

While goal of this document is to make parts identification as easy as possible, the document cannot be all-inclusive. Elevator and escalator contracts classified as "special" or "custom" are not addressed here. For such contracts, please refer to specified information, the contract folder, TIPs, Field Education Articles, Construction Letters, etc. for further information.

If you have any suggestions about this document, please contact the subject matter expert listed on this page.

# CONTROLLER M.P. (ECS) TRAVOLATOR / ESCALATOR NCT/NPE/NPE-2/NCE/ NCE-B/NCE-NAO

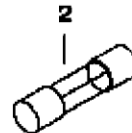
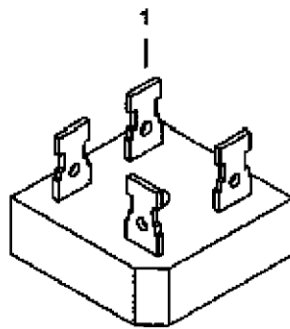
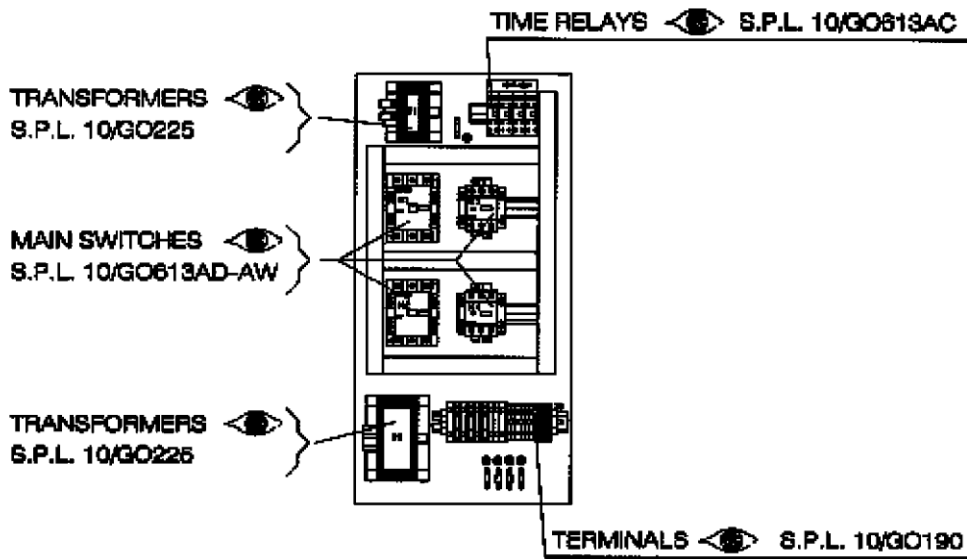
## 10-GAA26400B



REF. No.	VINTAGE PART No.	DESCRIPTION
1	GAA26800AR1 GAA26800AR2	Escalator Control Board (ECB)
2	GAA30166AAA4 GAA30166BAA4 GAA30166BAB4 GAA30166BAB044 GAA2500EM1  GAA30165AAA4 GAA30165AAB1	EPROM  (NAO Only)
3	GAA2500DX20	Battery and Cable Tie
4	GAA354EY1	Distance Piece
5	GAA41K1	Plunger
6	GAA41K2	Grommet

**10-GAA26400B**

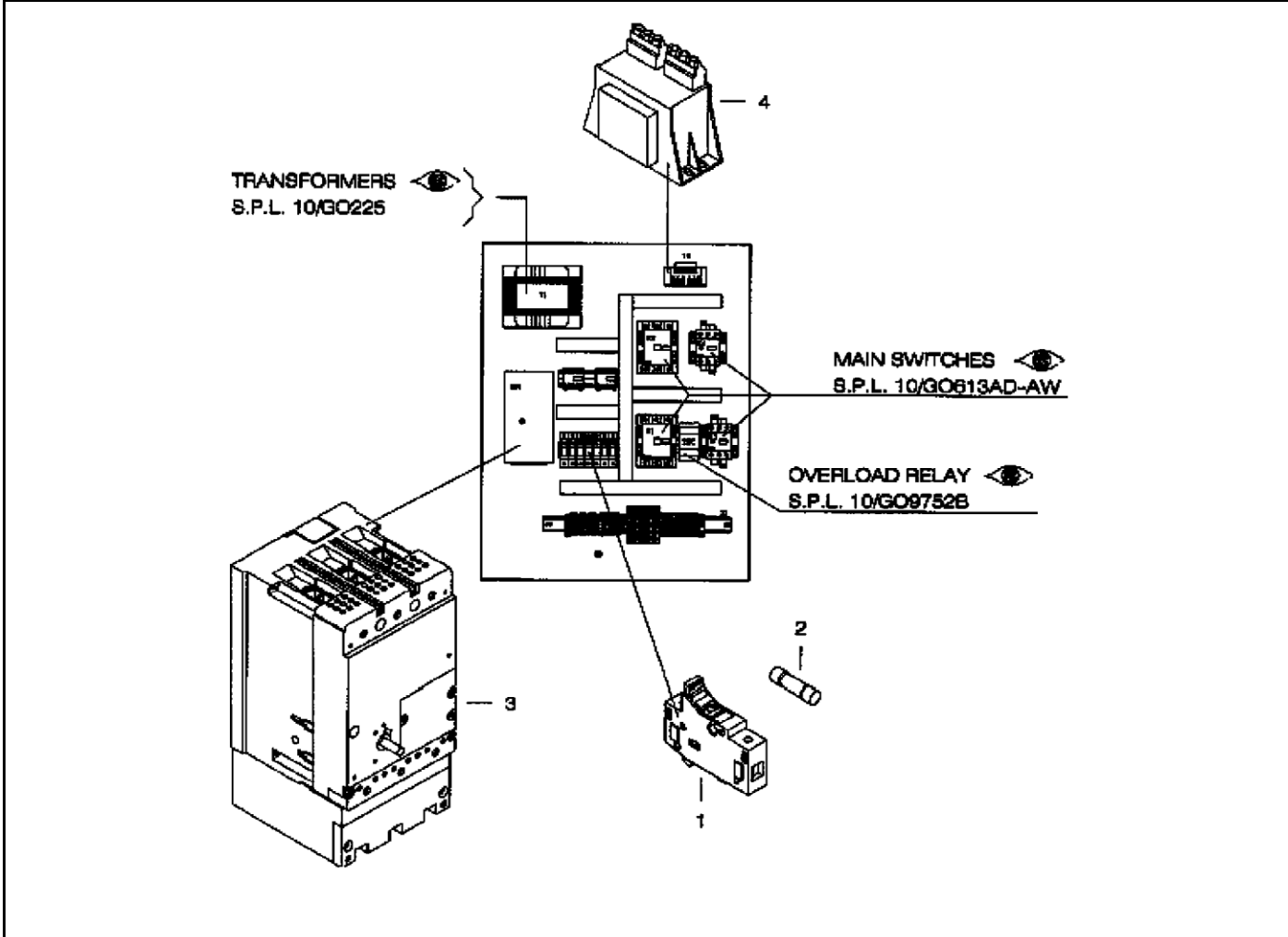
**CONTROLLER M.P. (ECS)  
TRAVOLATOR/ ESCALATOR  
NCT/NPE/NPE-2/NCE/  
NCE-B/NCE-NAO Unique**



REF. No.	VINTAGE PART No.	DESCRIPTION
1	GO230AE7	Rectifier
2	GO375AF27	6.3 AT
	GO375AF17	0.8 AT
	GO375AF23	2.5 AT
	GO375AF21	1.6 AT
	GO375AF26	5.0 AT
		Fuse (∅ 5x20)

# CONTROLLER M.P. (ECS) TRAVOLATOR / ESCALATOR NCT/NPE/NPE-2/NCE/ NCE-B/NCE-NAO

## 10-GAA26400B



	<b>VINTAGE</b>	
<b>REF. No.</b>	<b>PART No.</b>	<b>DESCRIPTION</b>
1	GAA653C3	Fuse Holder
2	GAA375BY1	0.5 A
	GAA375BY2	1.0 A
	GAA375BY3	2.0 A
	GAA375BY4	4.0 A
	GAA375BY5	8.0 A
2	Fuse	
3	GAA637AM1	Power Circuit Breaker
4	GO225DS1	Transformer