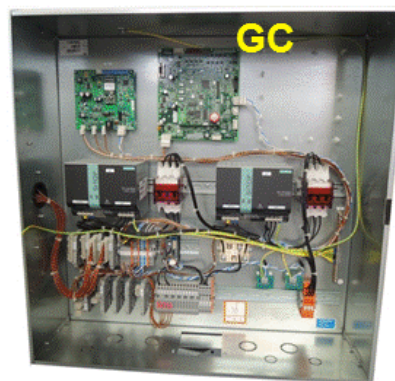
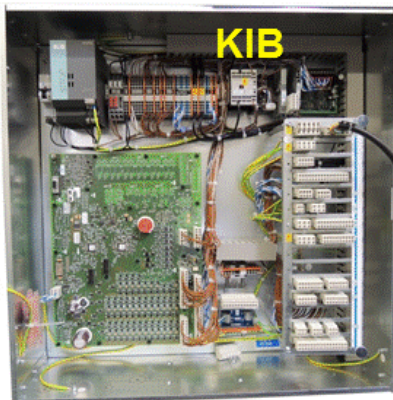
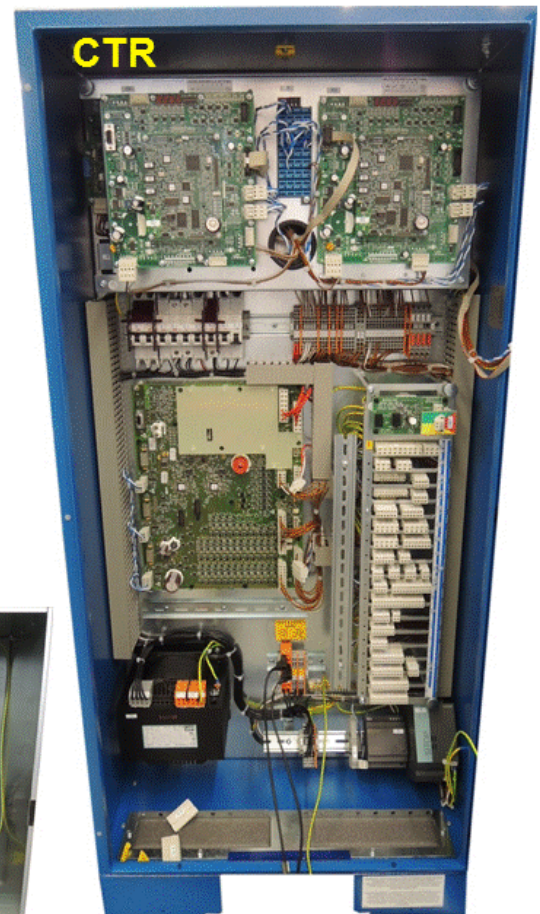
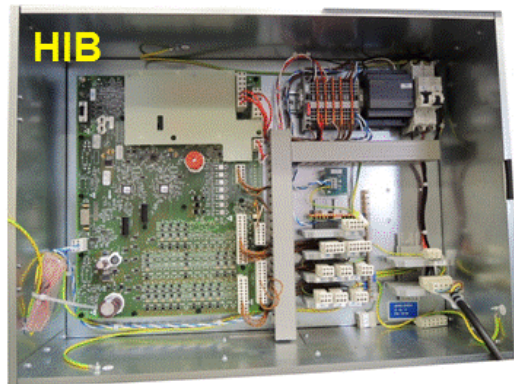


**CONTROL SYSTEM
ASSEMBLY
FOR E2**

Spare Parts Leaflet

10-GCA21310GC

SEP 2020 / Page 1 of 17



OTIS

Safety First!

**LDC - BERLIN
Otis Elevator Company
Berlin, Germany**

Leaflet Description

The leaflet describes the components of the control system assembly E2. These are:

- Subsystem Interface Board for Safety, car and hoistway (SSIB, KSIB, KSIB2 and HSIB)
- GECB with computing core, EMS, Extended RSL board, Bridge
- Gateway II, Otis Auto Dialer (OAD), Battery, Battery Backup Unit (BBU) and CSWB
- Circuit breaker, Fuses, Repeater (RPT), Position Indicator (PI), RFI
- CAN Fixture Board, Discrete I/O Filter, CAN Terminator board, Switch Over Module (SOM)
- Transformer, Power Supply Diode (PSD), Power supply 24 VDC, 27 VDC
- Multi-Drop Buffer Board (MDBB), Load Detection Board (LDB), Power converter
- Jumper plug, Wago tool

Leaflet Revisions

Date Revised	Subject Matter Expert	Reason for Revision
September, 2020	Mustapha Toutaoui	Parts updated

Related Drawings

Drawing No.	Title	Drawing No.	Title

Related Documents

Document ID	Title

Subject Matter Expert

Name	Department
Mustapha Toutaoui	LDC Berlin

About Spare Parts Leaflets...

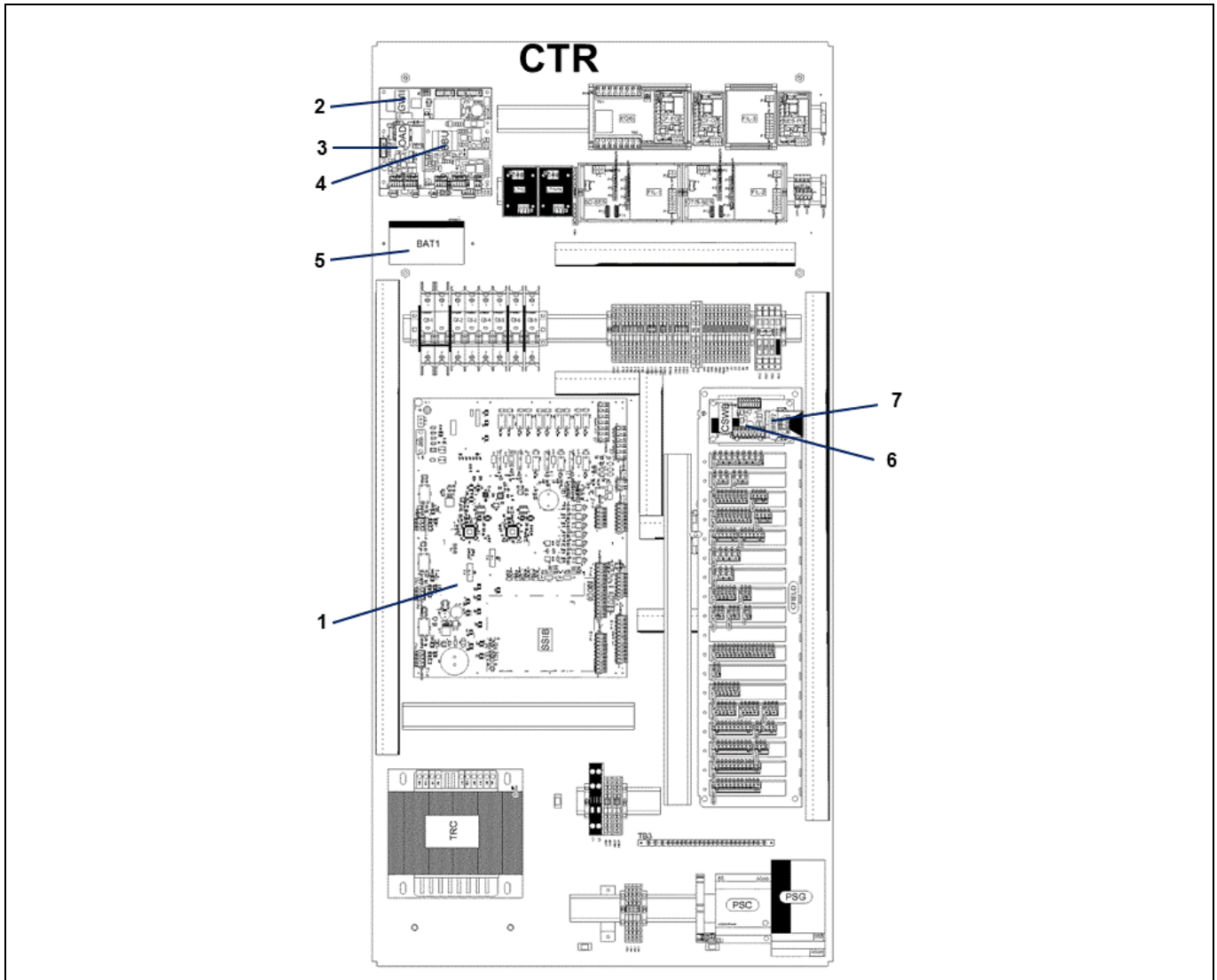
This document lists the lowest replaceable units (LRUs) for the standard version of the product. The LRUs are chosen by a team of Otis associates representing engineering and manufacturing.


While goal of this document is to make parts identification as easy as possible, the document cannot be all-inclusive. Elevator and escalator contracts classified as “special” or “custom” are not addressed here. For such contracts, please refer to specified information, the contract folder, TIPS, Field Education Articles, Construction Letters, etc. for further information.

If you have any suggestions about this document, please contact the subject matter expert listed on this page.

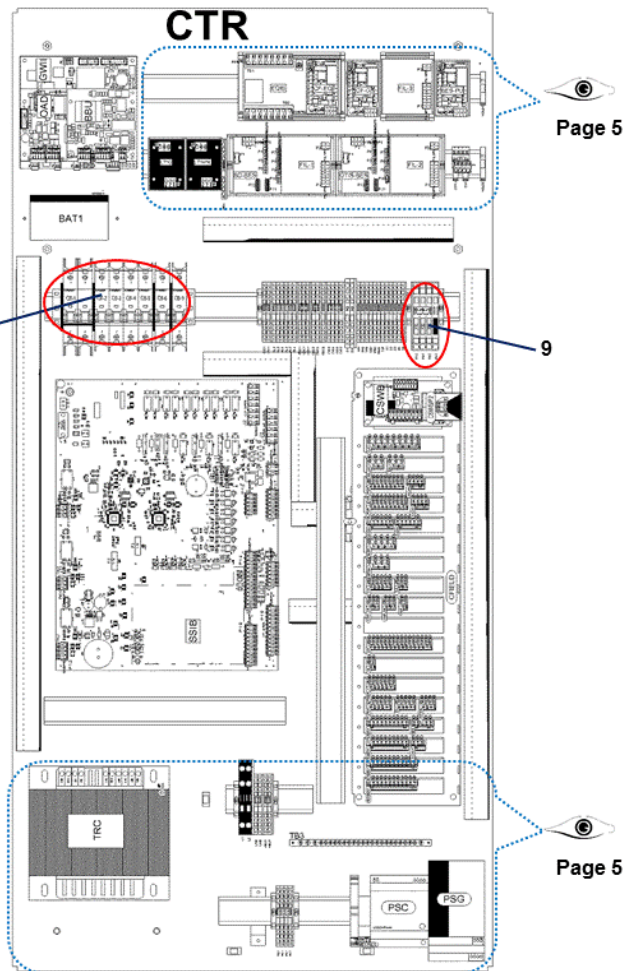
CONTROL SYSTEM ASSEMBLY FOR E2

10-GCA21310GC



REF. No.	VINTAGE PART No.	DESCRIPTION
1	 Page 12	Safety Subsystem Interface Board (SSIB)
2	ABA26800ARC1	Gateway II
3	ACA26800ARH1	Otis Auto Dialer (OAD)
	ACA26800ARH12-EN	Otis Auto Dialer (OAD) with Software SSM6
4	AAA26800ARK1	Battery Backup Unit
5	GAA718B4	Battery
6	AAA26800ATN1	CSWB with SW1 and SW2
	AAA26800ATN2	CSWB without SW
	AAA26800ATN3	CSWB with SW2 only
7	ABA21303DY1	Jumper Plug

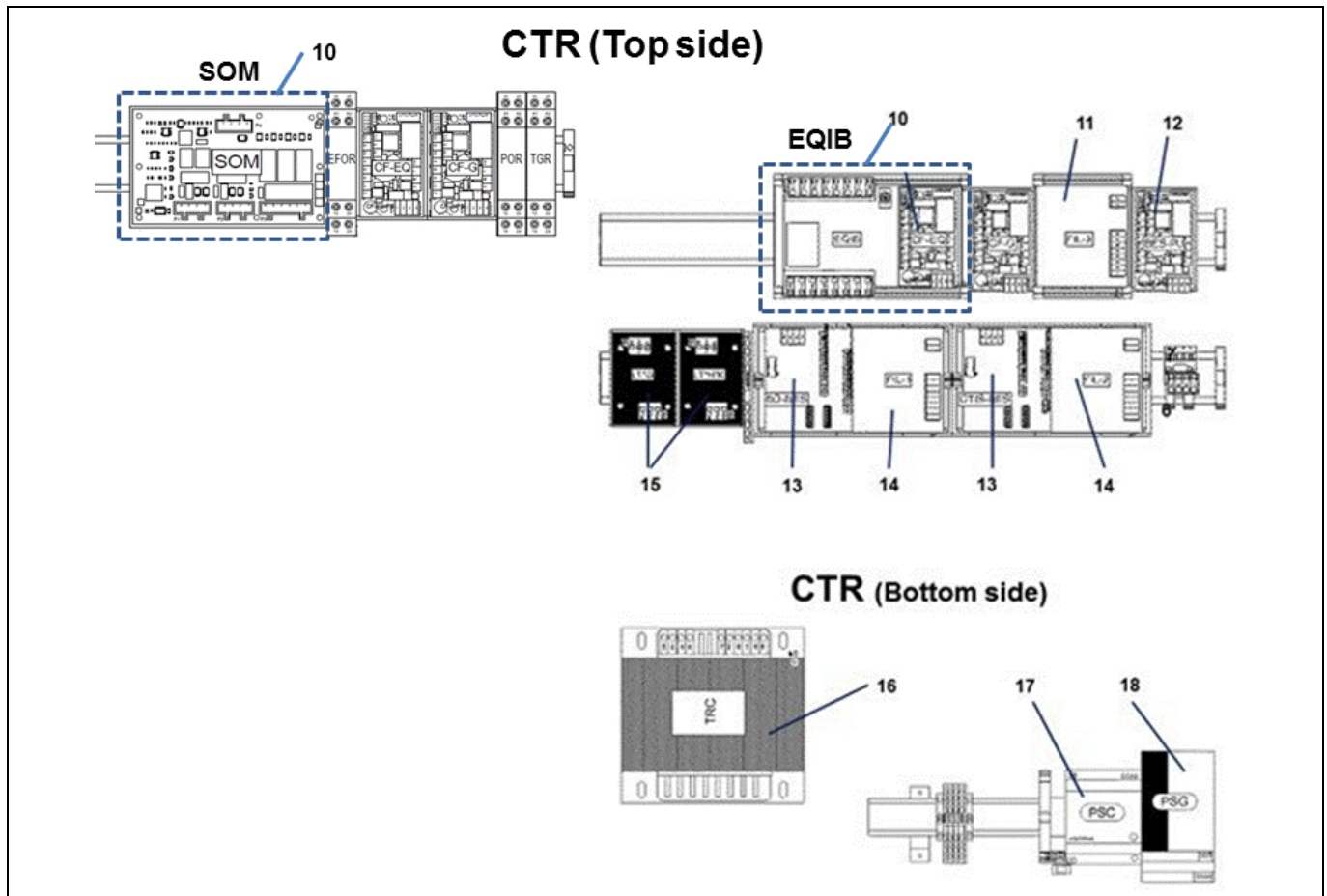
**CONTROL SYSTEM
ASSEMBLY FOR E2**



		VINTAGE	
REF. No.	PART No.	DESCRIPTION	
8	AAA637E19	Circuit breaker 1-pole, 1 A	CB5
	AAA637E20	Circuit breaker 1-pole, 3 A	CB2, CB9
	AAA637E21	Circuit breaker 1-pole, 5 A	CB4, CB7
	AAA637E22	Circuit breaker 1-pole, 10 A	CB3, CB8
	AAA637E24	Circuit breaker 1-pole, 15 A	CB6
	AAA637E25	Circuit breaker 2-pole, 10 A	CB1
	GAA637CP8	Circuit Breaker 4-pole, 32 A (EN81)	CB11
	GAA637CY2	Circuit Breaker 4-pole, 32 A (ANSI)	CB11
9	GAA375CJ1	Fuse, 3 A	F31C
	GAA375CJ3	Fuse, 5 A	F1C, F2C, F3C
	GAA375CJ4	Fuse, 7.5 A	F4C
-	GAA637DD2	FI 16 A, 30 mA (RCD3)	
-	GAA637DH2	FI 42 A, 30 mA, 3 pole (NFBS)	

CONTROL SYSTEM ASSEMBLY FOR E2

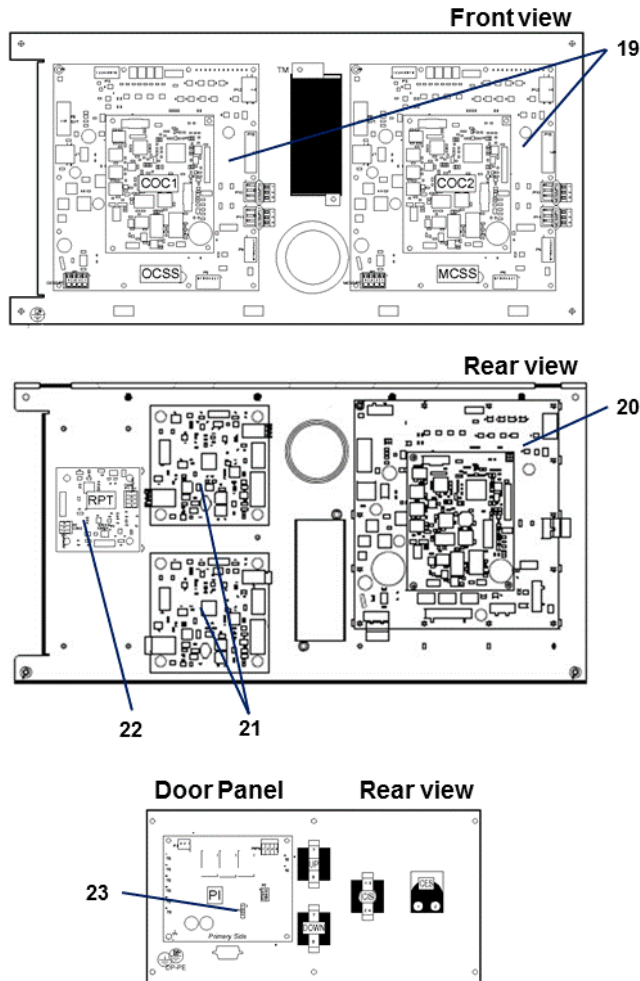
10-GCA21310GC



VINTAGE			
REF. No.	PART No.	DESCRIPTION	
10	GAA21305TV2	Switch Over Module (SOM)	
	AAA21305CS1L1	Earth-Quake Interface Board (EQIB)	
11	AAA21305CV1	Discrete I/O Filter	
12	DAA26800R1	CAN Fixture Board (CF-5)	
13	DAA26800T1	CAN Fixture Board (CF-8)	
14	AAA26800AVC1	Discrete I/O Filter	
15	DAA26800BG1	Dual CAN Terminator board	
16	AAA225ML1	Transformer: Input 380/400/415/480V	output: 230/115V
	AAA225MM1	Transformer: Input 380/400/415/480V	output: 230/115V
	AAA225MM2	Transformer: Input 208/220/230/240V	output: 230/115V
17	AAA621AT18 GAA621EM1	Power supply, 24 VDC (Single Controller)	
18	AAA621AT16 GAA621EN1	Power supply, 27 VDC (Group Controller)	

**CONTROL SYSTEM
ASSEMBLY FOR E2**

CTR - Swing Panel

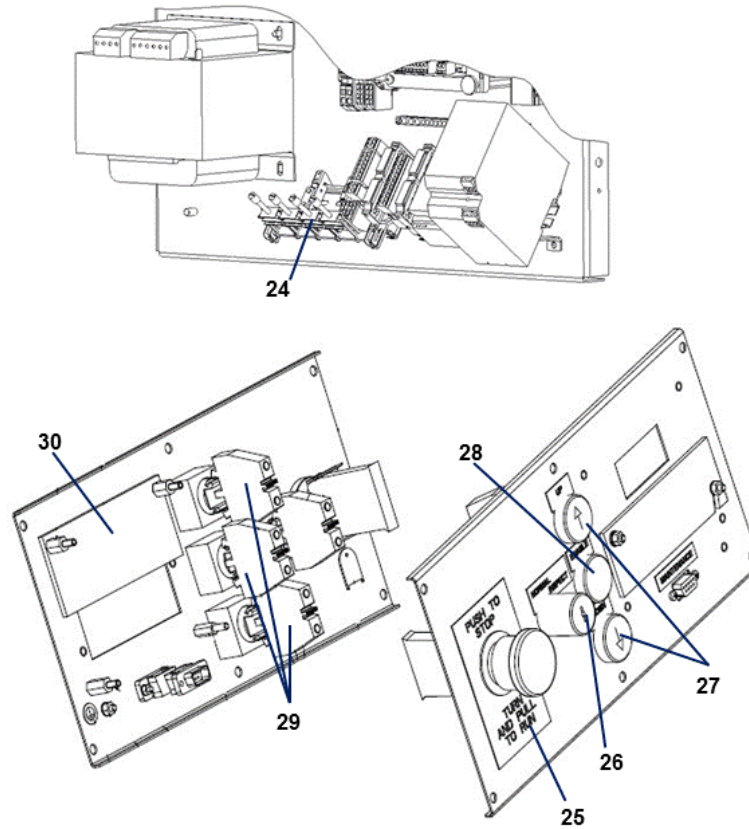


		VINTAGE	
REF. No.	PART No.	DESCRIPTION	
19	JFA26807CBN18	GECB with Computing Core	OCSS & MCSS
	JHA26807CBN18		
	AAA31301AAD	Software for MCSS	
	AP131259CAC	Software for OCSS	
-	JAA26807CAK3	Extended RSL board	
20	JFA26807CBN32	EMS (for Simplex only)	
	JHA26807CBN32		
21	JAA26807CAL1	BRIDGE	
22	AAA26800ARP1	Repeater (RPT)	
23	AAA26800AVN1	Position Indicator (PI)	

CONTROL SYSTEM ASSEMBLY FOR E2

10-GCA21310GC

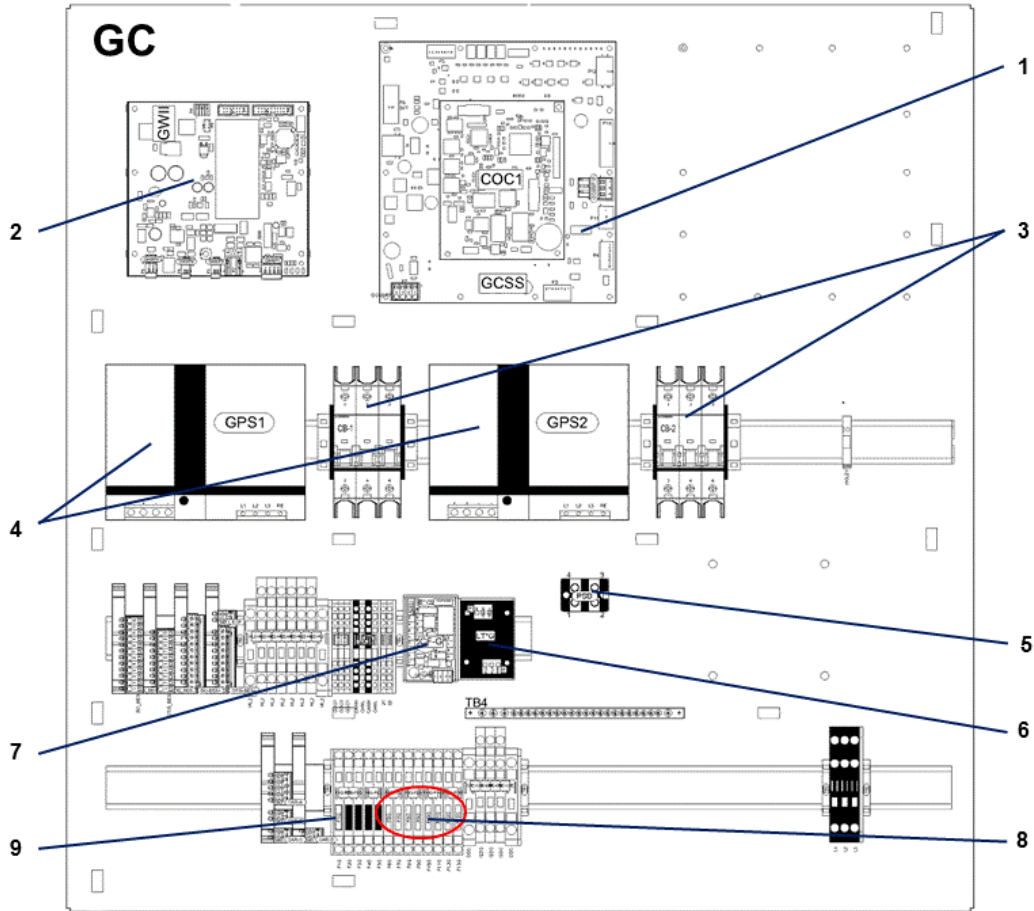
CTR (RFI & INSP-PI)



VINTAGE			
REF. No.	PART No.	DESCRIPTION	
24	AAA21303EG1	RFI Reduction Kit	
25	JAA635ABT101	Switch push button	CES
26	AAA634C4	Switch (Lock with key)	CIS
27	GAA635AE2 GAA635AS2 + GAA635AP1	Switch push button up + Holder	UP/DOWN
27	GAA635AE2 GAA635AS1 + GAA635AP1	Switch push button down + Holder	UP/DOWN
28	GAA635AE4 GAA635AV1 + GAA635AP1	Switch push button blue + Holder	CCIB
29	AAA635L107 GAA635AQ1	Contact Switch push button	
30	AAA443FW1	Lens	

10-GCA21310GC

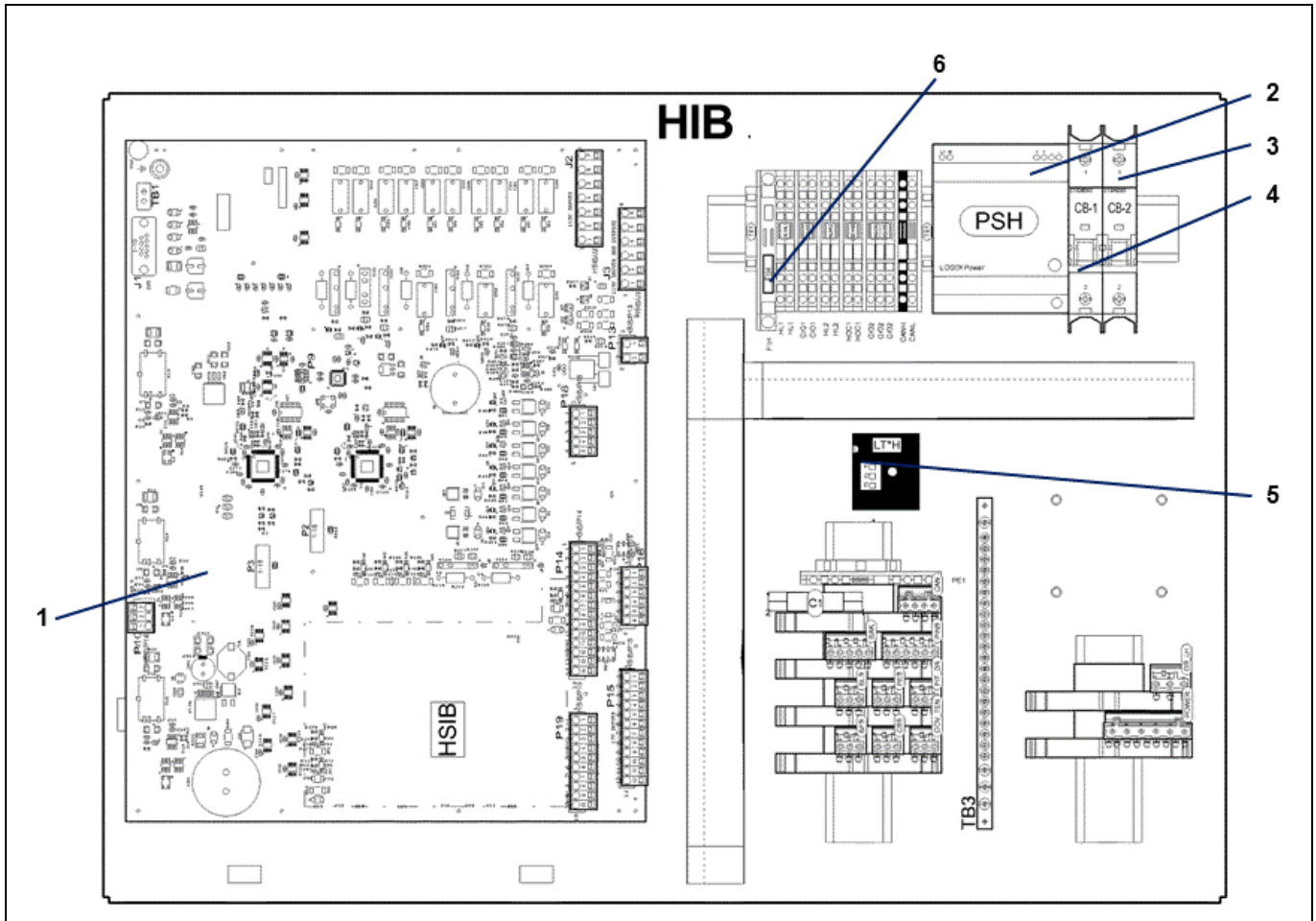
CONTROL SYSTEM ASSEMBLY FOR E2



VINTAGE			
REF. No.	PART No.	DESCRIPTION	
1	Page 6	GECB with computing core	GCSS
2	Page 3	Gateway II	
3	AAA637E27	Circuit breaker, 6A	CB-1, CB-2
4	AAA621AT20	Power Supply 27VDC, 20A (GPS1, GPS2) (G2C – G4C)	
	AAA621AT22	Power Supply 27VDC, 40A (GPS1, GPS2) (G5C – G12C)	
5	GAA612EJ1	Power supply Diode (PSD)	
6	Page 5	Dual CAN Terminator board	LT*G
7	Page 5	CAN Fixture Board (CF-5)	
8	GAA375CJ2	Fuse, 15A	F2G, F3G, F4G, F5G
9	Page 4	Fuse, 5A	F1G

CONTROL SYSTEM ASSEMBLY FOR E2

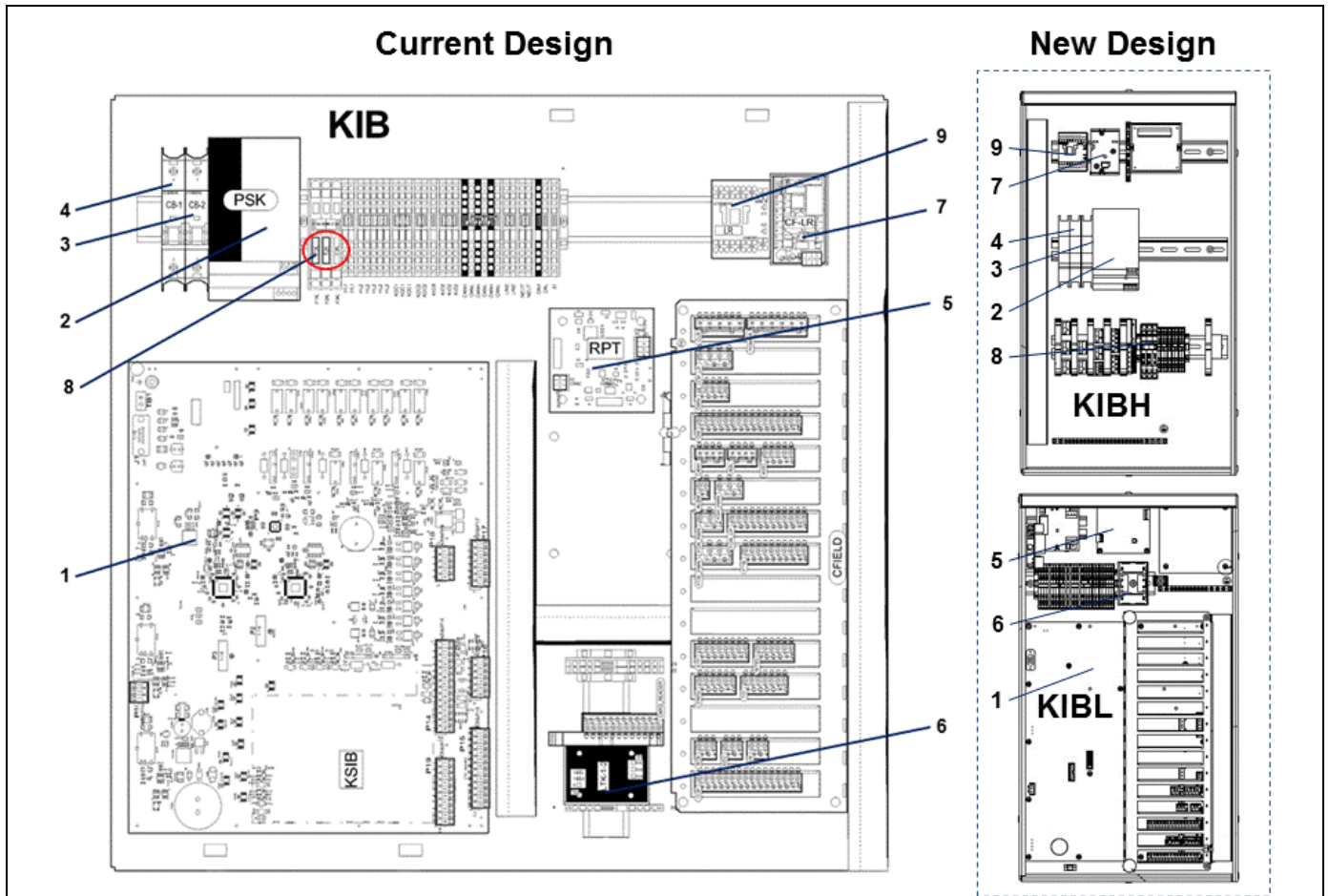
10-GCA21310GC



REF. No.	VINTAGE PART No.	DESCRIPTION	
1	Page12 HSIB	HSIB	
2	AAA621AT18 GAA621EM1	Power supply 24 VDC (PSH)	
3	AAA637E19	Circuit breaker, 1-pole, 1 A	CB2/CB3
4	AAA637E20	Circuit breaker, 1-pole, 3 A	CB1
5	DAA26800W1	Single Terminator board (LT*H)	
6	Page 4 F1H	Fuse, 3 A	F1H
-	AAA225MN1	Transformer: Input 230VAC	Output 115VAC

10-GCA21310GC

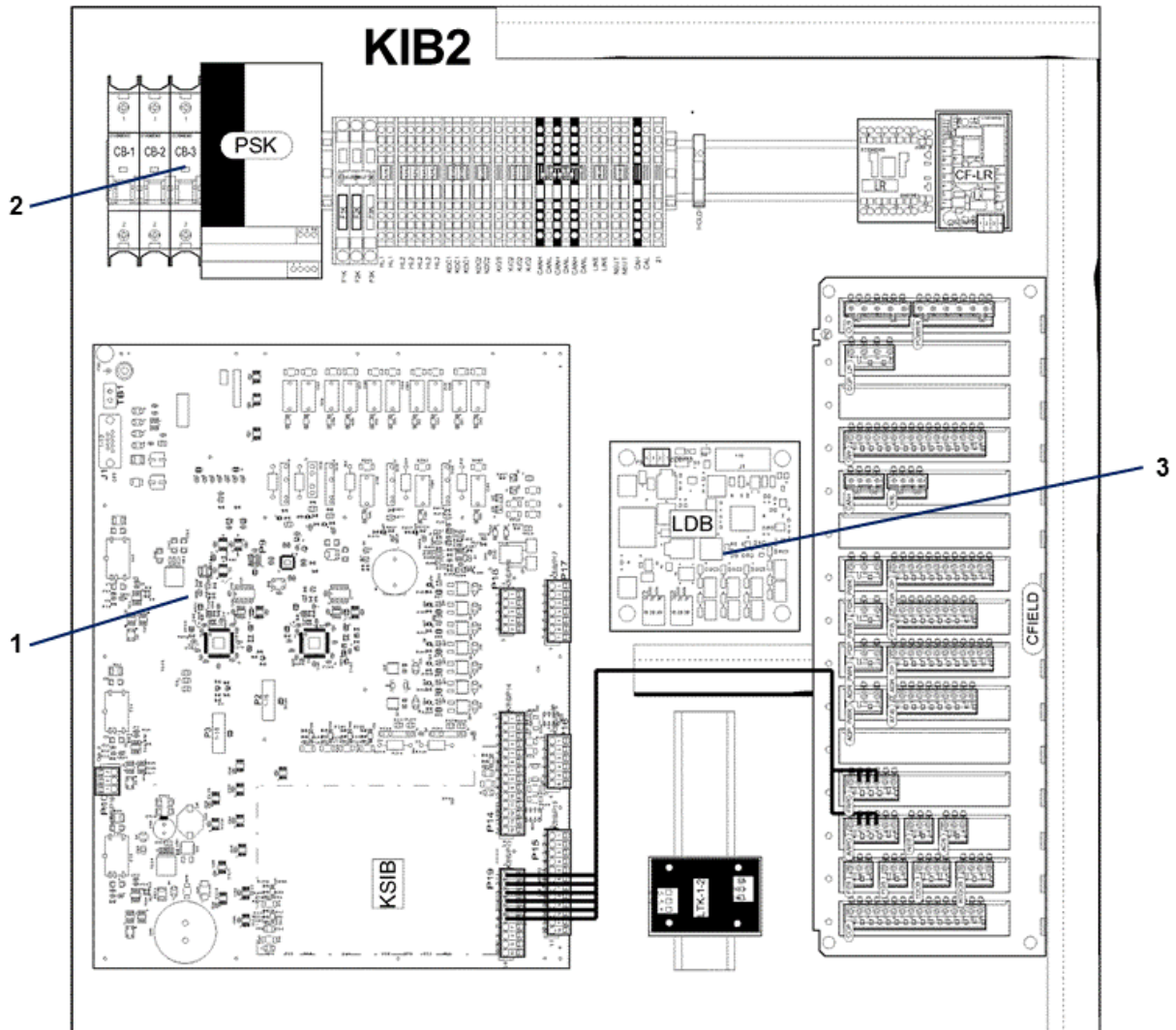
CONTROL SYSTEM ASSEMBLY FOR E2




VINTAGE			
REF. No.	PART No.	DESCRIPTION	
1	Page12	KSIB (KIB1)	
2	AAA621AT16 GAA621EN1	Power supply 27 VDC (PSK)	
3	AAA637E21	Circuit breaker 1-pole, 5 A	CB2/CB3
4	AAA637E20	Circuit breaker 1-pole, 3 A	CB1
5	AAA26800ARP1	Repeater	
6	Page 8	Dual CAN Terminator board	LTK*1, LTK*2
7	Page 5	CAN Fixture Board (CF-5)	
8	Page 4	Fuse, 5A	F1K, F2K, F3K
9	GAA613HE1 GAA613KG1	Relay (LR)	
-	AAA21380AE1	Multi-Drop Buffer Board (MDBB)	
-	AAA303EP239	Power converter (SMPS, MDBB)	

CONTROL SYSTEM ASSEMBLY FOR E2

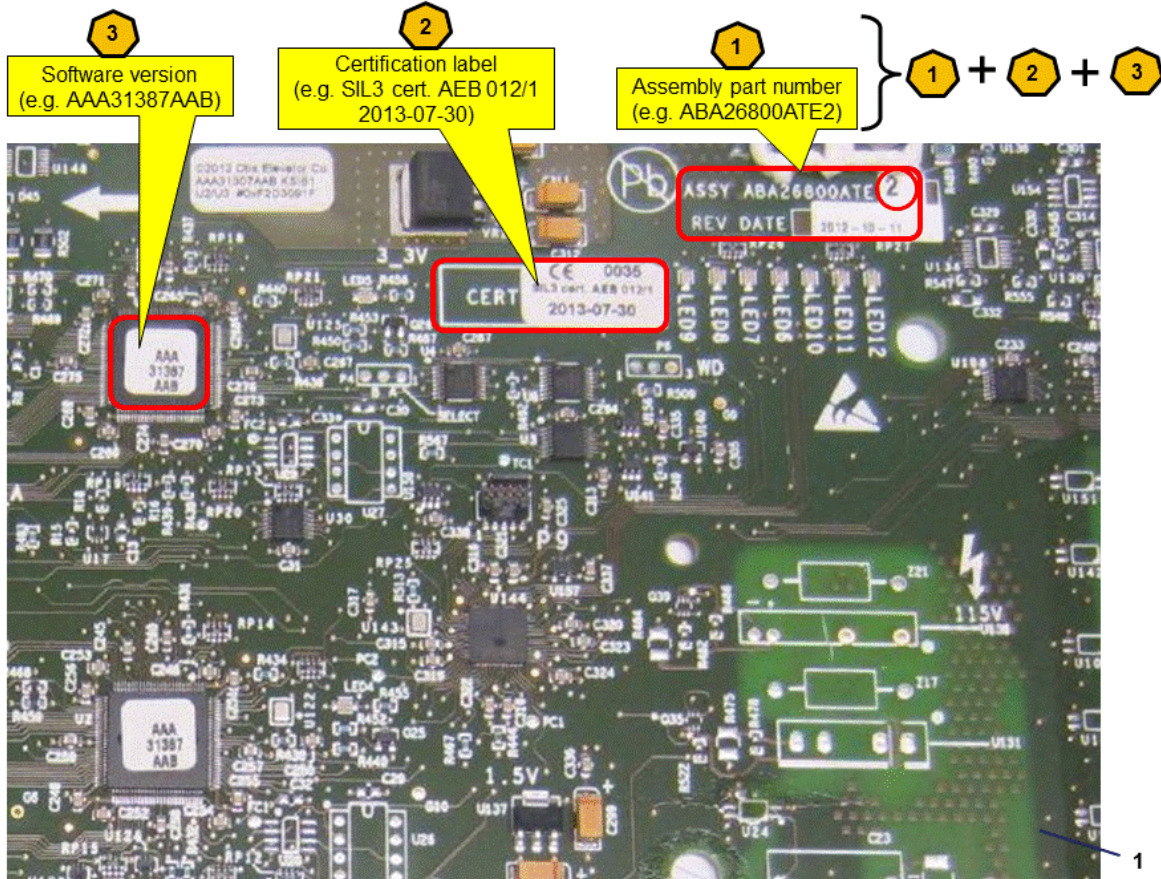
10-GCA21310GC



	VINTAGE		
REF. No.	PART No.		DESCRIPTION
1	 Page12	KSIB (KIB2 for Double Deck)	
2	AAA637E21	Circuit breaker 1-pole, 5 A	CB2/CB3
3	JAA26807CDL1	Load Detection Board (LDB)	

10-GCA21310GC

CONTROL SYSTEM ASSEMBLY FOR E2



VINTAGE			
REF. No.	PART No.	DESCRIPTION	
1	ABA26800ATE10_AEB012_2 ACA26800ATE1-002-04 ADA26800ATE1-002-01	Safety Subsystem Interface Board (SSIB)	Spare part = Part number_ + Certification Label (AEB012_2)
	ABA26800ATE60_AEB012_2 ACA26800ATE6-002-04 ADA26800ATE6-002-01		
	ABA26800ATE20_AEB012_2 ACA26800ATE2-002-04 ADA26800ATE2-002-01	KSIB (Car Subsystem Interface Board: KIB1)	
	ABA26800ATE30_AEB012_2 ACA26800ATE3-002-04 ADA26800ATE3-002-01	HSIB (Hoistway Subsystem Interface Board)	
	ABA26800ATE50_AEB012_2 ACA26800ATE5-002-04 ADA26800ATE5-002-01	KSIB (KIB2 for Double Deck)	

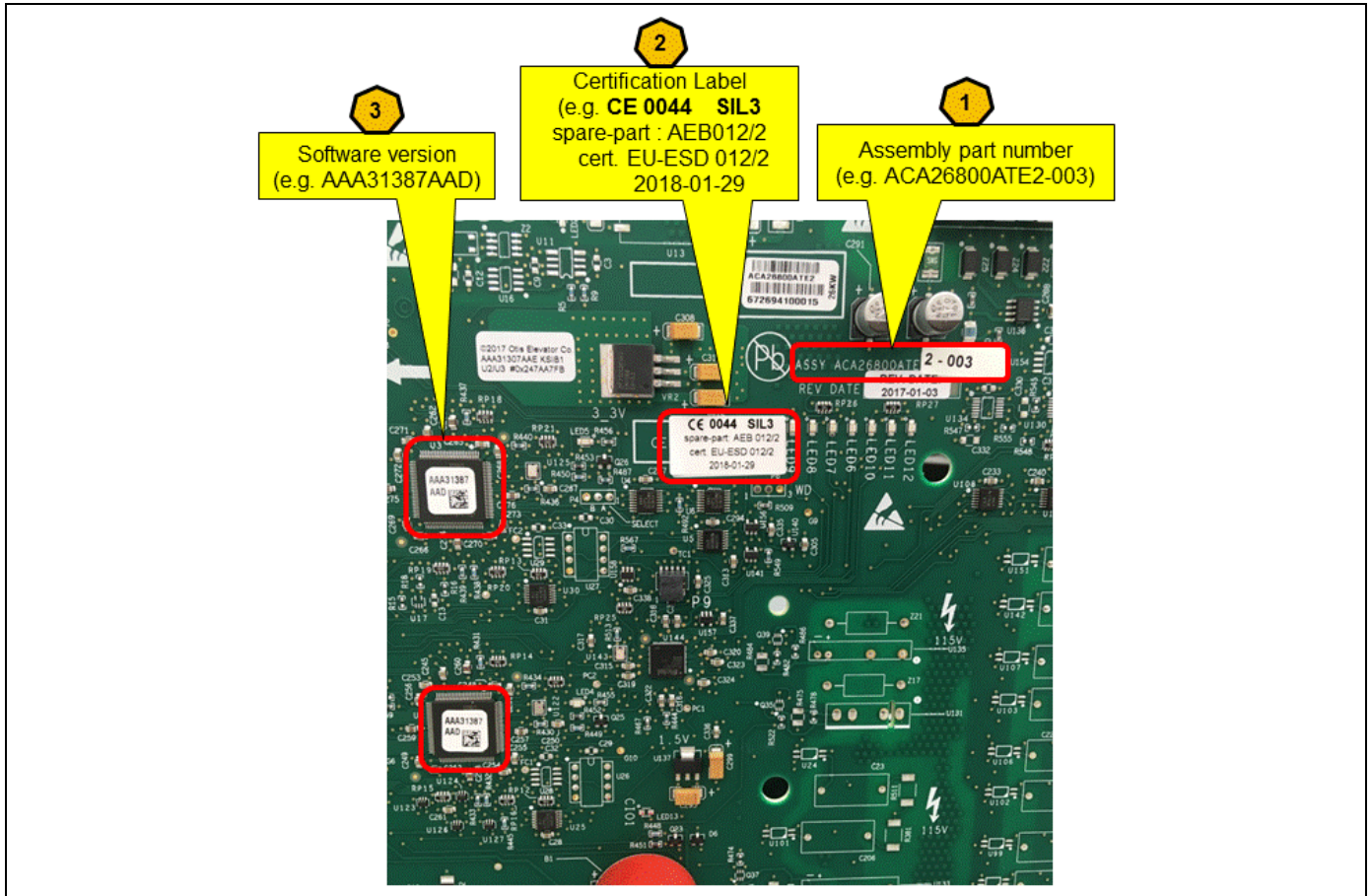
CONTROL SYSTEM ASSEMBLY FOR E2

10-GCA21310GC

VINTAGE			
REF. No.	PART No.	DESCRIPTION	
1	ABA26800ATE10_AEB012_1 ADA26800ATE1-001-01	Safety Subsystem Interface Board (SSIB)	Spare part = Part number_ + Certification label (AEB012_1)
1	ABA26800ATE10_AEB012_1 ADA26800ATE1-001-01	Safety Subsystem Interface Board (SSIB)	Spare part = Part number_ + Certification label (AEB012_1)
	ABA26800ATE60_AEB012_1 ADA26800ATE6-001-01		
	ABA26800ATE20_AEB012_1 ADA26800ATE2-001-01	KSIB (Car Subsystem Interface Board: KIB1)	
	ABA26800ATE30_AEB012_1 ADA26800ATE3-001-01	HSIB (Hoistway Subsystem Interface Board)	
	ABA26800ATE50_AEB012_1 ADA26800ATE5-001-01	KSIB (KIB2 for Double Deck)	

CONTROL SYSTEM ASSEMBLY FOR E2

10-GCA21310GC

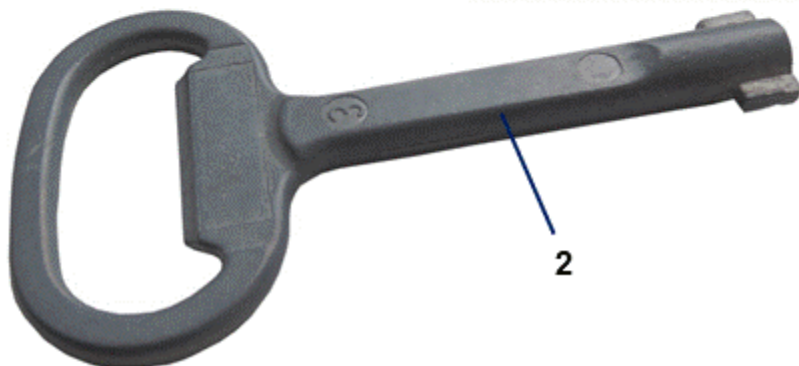
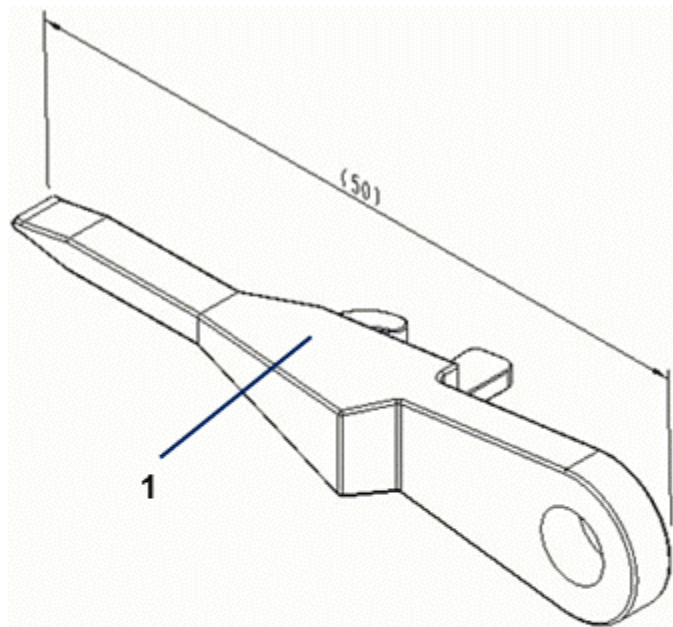


REF. No.	PART No.	DESCRIPTION	
1	ABA26800ATE10_EU_ESD_012 ACA26800ATE1-003-01 ADA26800ATE1-003-01	Safety Subsystem Interface Board (SSIB)	
	ABA26800ATE60_EU_ESD_012 ACA26800ATE6-003-01 ADA26800ATE6-003-01		
	ABA26800ATE20_EU_ESD_012 ACA26800ATE2-003-01 ADA26800ATE2-003-01		
	ABA26800ATE30_EU_ESD_012 ACA26800ATE3-003-01 ADA26800ATE3-003-01	KSIB (Hoistway Subsystem Interface Board)	
	ABA26800ATE50_EU_ESD_012 ACA26800ATE5-003-01 ADA26800ATE5-003-01	KSIB (KIB2 for Double Deck)	
			Spare part = Part number_ + Certification label (EU_ESD_012)

REF. No.	PART No.	DESCRIPTION	
1	ABA26800ATE10_EU_ESD_012_1 ACA26800ATE1-004-04 ADA26800ATE1-005-01	Safety Subsystem Interface Board (SSIB)	Spare part = Part number_ + Certification label (EU_ESD_012_1)
	ABA26800ATE60_EU_ESD_012_1 ACA26800ATE6-004-04 ADA26800ATE6-005-01	Safety Subsystem Interface Board (SSIB)	
	ABA26800ATE20_EU_ESD_012_1 ACA26800ATE2-004-04 ADA26800ATE2-005-01	KSIB (Car Subsystem Interface Board: KIB1)	
	ABA26800ATE30_EU_ESD_012_1 ACA26800ATE3-004-04 ADA26800ATE3-005-01	HSIB (Hoistway Subsystem Interface Board)	
	ABA26800ATE50_EU_ESD_012_1 ACA26800ATE5-004-04 ADA26800ATE5-005-01	KSIB (KIB2 for Double Deck)	
1	ABA26800ATE10_EU_ESD_012_2 ACA26800ATE1-004-04 ADA26800ATE1-004-01	Safety Subsystem Interface Board (SSIB)	Spare part = Part number_ + Certification label (EU_ESD_012_2)
	ABA26800ATE60_EU_ESD_012_2 ACA26800ATE6-004-04 ADA26800ATE6-004-01	Safety Subsystem Interface Board (SSIB)	
	ABA26800ATE20_EU_ESD_012_2 ACA26800ATE2-004-04 ADA26800ATE2-004-01	KSIB (Car Subsystem Interface Board: KIB1)	
	ABA26800ATE30_EU_ESD_012_2 ACA26800ATE3-004-04 ADA26800ATE3-004-01	HSIB (Hoistway Subsystem Interface Board)	
	ABA26800ATE50_EU_ESD_012_2 ACA26800ATE5-004-04 ADA26800ATE5-004-01	KSIB (KIB2 for Double Deck)	

10-GCA21310GC

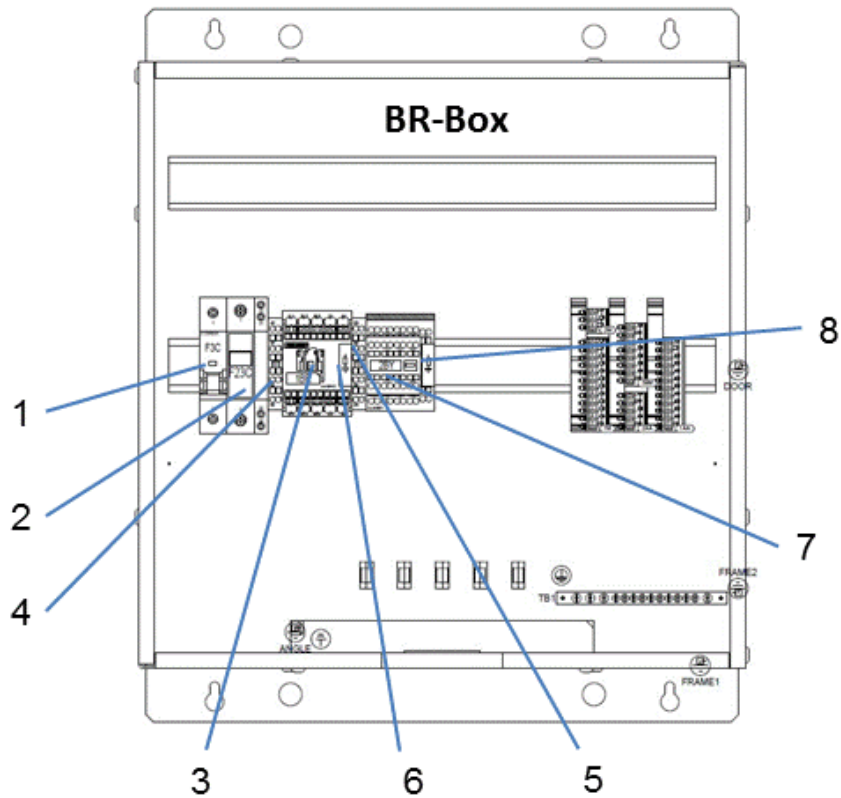
CONTROL SYSTEM ASSEMBLY FOR E2



VINTAGE		
REF. No.	PART No.	DESCRIPTION
1	AAA27BZ1	WAGO Tool 5 mm (white)
	AAA27BZ2	WAGO Tool 3.5 mm (white)
2	GAA194AR1	Key for controller door

CONTROL SYSTEM ASSEMBLY FOR E2

10-GCA21310GC



VINTAGE			
REF. No.	PART No.	DESCRIPTION	
1	GAA637BH2	Fuse Brake	F3C
2	GAA637CK2	Fuse Blower	F23C
3	GAA638HC3	Relay	1BR
4	GAA661AP1	Additional contact	1BR
5	GAA661AP3	Additional contact	1BR
6	GAA638HR2	RC-Element	1BR
7	GAA638BP1 GAA638JR4 + GAA661BA4 GAA638JV1 + GAA661AP1 + GAA638HR2	Relay	2BY
8	GAA605H12 GAA638HR2	RC-Element	2BY