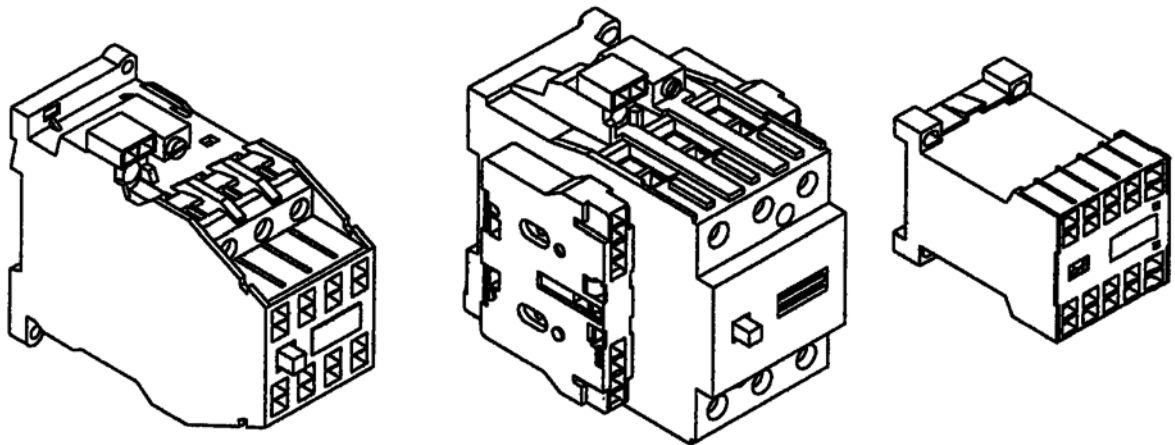


CONTROLLER PART MAIN SWITCH
& RELAY

SIEMENS

10 GAA638E ->
10 GAA613EK ->
10 GO613BB ->
*** 10 GO613AD-AW**

| | |
|------------------------------------|------------|
| MAIN SWITCHES WITH SCREW TERMINALS | PAGE 2-10 |
| MAIN SWITCHES WITH TAB CONNECTORS | PAGE 10-12 |
| RELAYS WITH SCREW TERMINALS | PAGE 13-18 |
| RELAYS WITH TAB CONNECTORS | PAGE 19-20 |
| INTERFACE RELAYS | PAGE 21 |
| RELAYS WITH MECHANICAL LATCHING | PAGE 21 |
| ARC CHUTES | PAGE 22 |
| AUXILIARY CONTACT BLOCKS | PAGE 22 |
| COILS | PAGE 23-24 |
| MAIN CONTACTS | PAGE 25 |
| INTERFERENCE SUPPRESSORS | PAGE 26-27 |
| MAIN SWITCHES FOR MCS CONTROLLER | PAGE 28-29 |

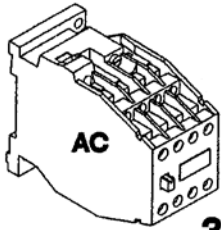


OTIS

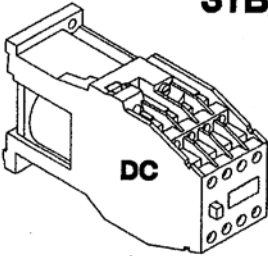
CAGE CLAMP

SCREW TERMINAL

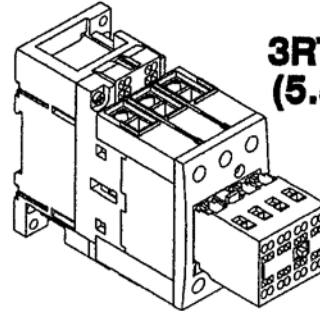
OLD



3TB/3TF40-41



NEW

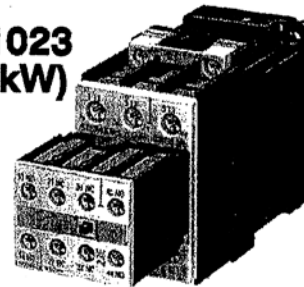


**3RT1024
(5.5 kW)**

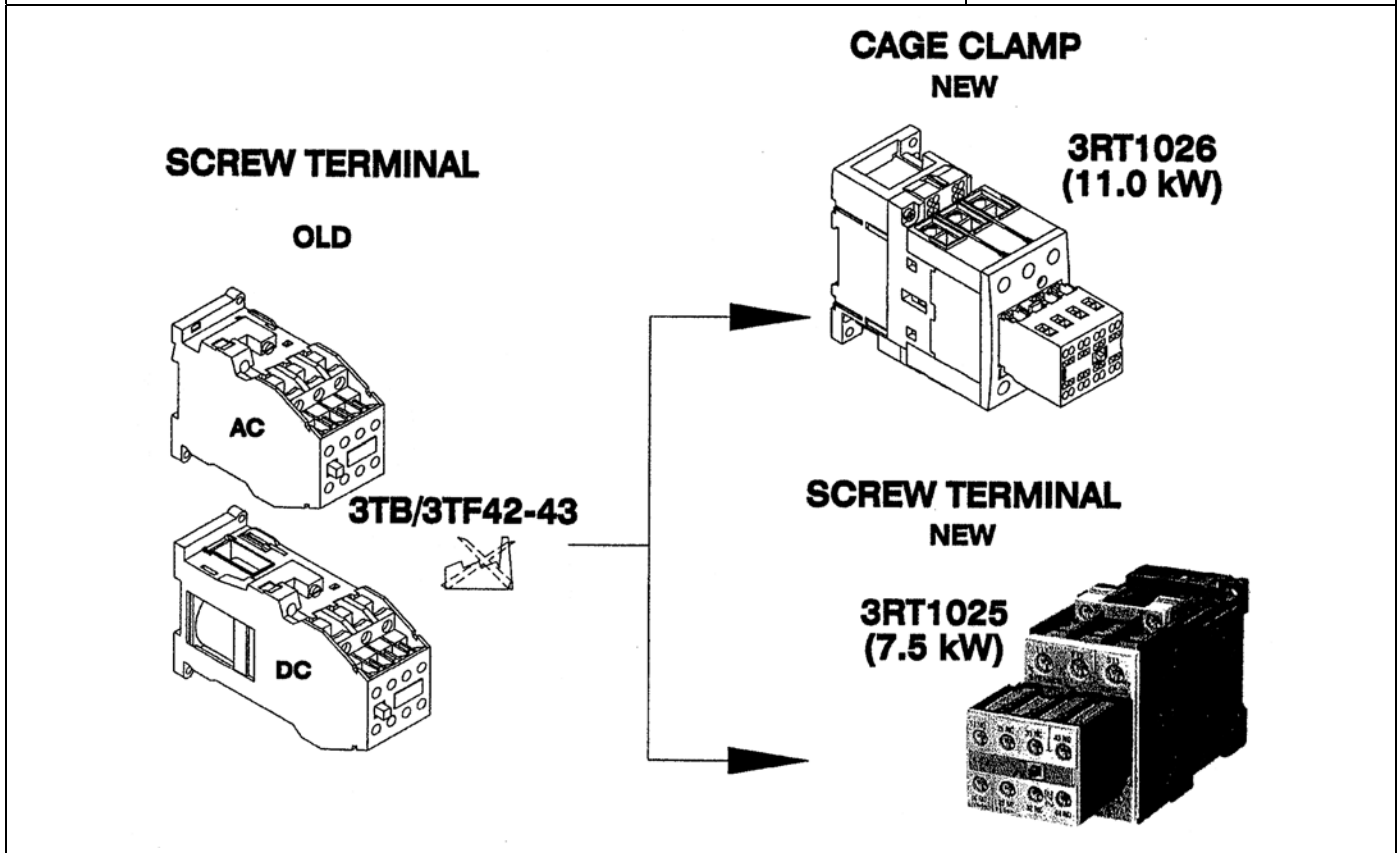
SCREW TERMINAL

NEW

**3RT1023
(4.0 kW)**



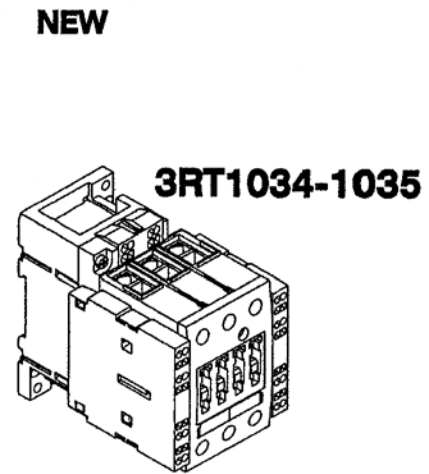
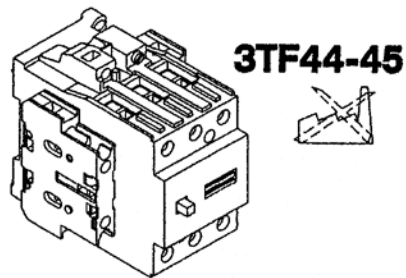
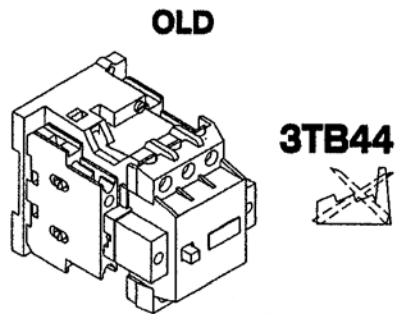
| RATED COIL VOLTAGE | TYPE | OLD | | | NEW | | | | | |
|--------------------|-------|-------------------|----|--------------------------|------------|-----------|--------------------------|--------------------|----|--|
| | | AUXILIARY CONTACT | | RATED POWER AT 380/400 V | PART NO. | | RATED POWER AT 380/400 V | AUXILIARY CONTACTS | | |
| | | NO | NC | | | | | NO | NC | |
| 110V;50Hz | 3TB40 | 2 | 2 | 4.0 kW | GAA638E1 → | GAA638BE1 | 5.5 kW | 2 | 2 | |
| 110V;60Hz | & | | | | GAA638E2 → | GAA638BE2 | | | | |
| 230V;50Hz | 3TF40 | | | | GBA638E3 | | | | | |
| 220V;60Hz | | | | | GAA638E4 | | | | | |
| 125 VDC | | | | GAA638F1 → | GAA638FA1 | 4.0 KW | 2 | 2 | | |
| 110v;50hZ | 3TB41 | 2 | 2 | 5.5 kW | GAA638G1 → | GAA638BE1 | 5.5 KW | 2 | 2 | |
| 110V;60Hz | & | | | | GAA638G2 → | GAA638BE2 | | | | |
| 230V;50Hz | 3TF41 | | | | GBA638G3 | | | | | |
| 220V;60Hz | | | | | GAA638G4 | | | | | |



| RATED COIL VOLTAGE | TYPE | OLD | | RATED POWER AT 380/400 V | NEW | | RATED POWER AT 380/400 V | AUXILIARY CONTACTS | | |
|--------------------|-------|-------------------|-----------|--------------------------|------------|--------------------|--------------------------|--------------------|----|---|
| | | AUXILIARY CONTACT | | | PART NO. | AUXILIARY CONTACTS | | | | |
| | | NO | NC | | | | | NO | NC | |
| 110V;50Hz | 3TB42 | 2 | 2 | 7.5 kW | GAA638H1 → | GAA638BN1 | 11.0 kW | 2 | 2 | |
| 110V;60Hz | & | | | | GAA638H2 → | GAA638BN2 | | | | |
| 230V;50Hz | 3TF42 | GBA638H3 | | | | | | | | |
| 220V;60Hz | | GBA638H4 | | | | | | | | |
| 42V;50Hz | | GBA638H5 | | | | | | | | |
| 42V;60Hz | | GAA638H6 | | | | | | | | |
| 240V;50Hz | | GBA638H7 | | | | | | | | |
| 240V;60Hz | | GAA638H8 | | | | | | | | |
| 125VDC | | GAA638J1 → | GAA638FA2 | | 7.5 kW | 2 | | | | 2 |
| 42VDC | | GAA638J2 → | GAA638FA3 | | | | | | | |
| 110V;50Hz | 3TB43 | 2 | 2 | 11.0 kW | GAA638K1 → | GAA638BN1 | 11.0 kW | | | |
| 110V;60Hz | & | | | | GAA638K2 → | GAA638BN2 | | | | |
| 230V;50Hz | 3TF43 | | | | GBA638K3 | | | | | |
| 220V;60Hz | | | | | GAA638L1 | | | | | |
| 125VDC | | | | | GAA638L1 | | | | | |
| 48VDC | | | | | GAA638L2 | | | | | |

SCREW TERMINAL

CAGE CLAMP



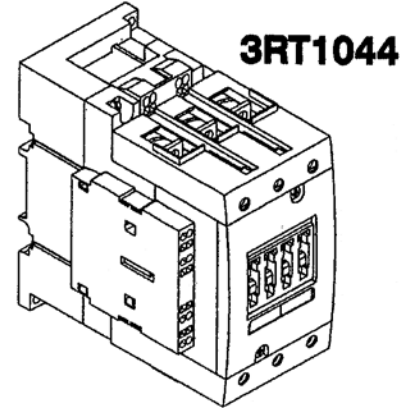
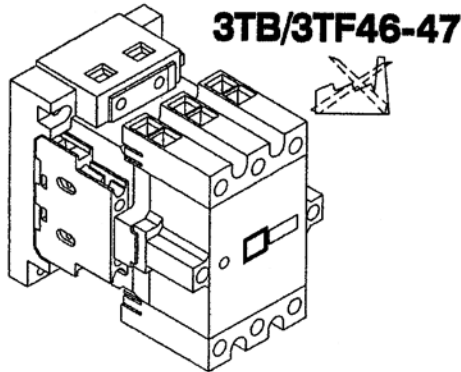
| RATED COIL VOLTAGE | TYPE | OLD | | RATED POWER AT 380/400 V | NEW | | | | |
|-----------------------|---------------------|----------------------|----|--------------------------------|----------------------|--------------------------------|-----------------------|---------|---|
| | | AUXILIARY CONTACT | | | PART NO. | RATED POWER AT 380/400 V | AUXILIARY CONTACTS | | |
| | | NO | NC | | | | NO | NC | |
| 230V;50Hz | 3TB44 & 3TF44 | 1 | 1 | 15.0 kW | GBA638M10 | | | | |
| 220V;60Hz | | | | | GAA638M11 | | | | |
| 110V;50Hz | | 2 | 2 | | GAA638M1 → GAA638CB4 | | 15.0 kW | 2 | 2 |
| 110V;60Hz | | | | | GAA638M2 → GAA638CB5 | | | | |
| 110V;50/60Hz | | | | | GAA638M7 | | | | |
| 230V;50Hz | | | | | GAA638M3 | | | | |
| 220V;60Hz | | | | | GAA638M4 | | | | |
| 24V;50/60Hz | | | | | GAA638M5 | | | | |
| 42V;50Hz | | | | | GAA638M8 | | | | |
| 42V;60Hz | | | | | GAA638M9 | | | | |
| 240V;50Hz | | | | | GAA638M12 | | | | |
| 240V;60Hz | | | | | GAA638M13 | | | | |
| 42VDC | | GAA638N1 | | | | | | | |
| 110V;50Hz | | 3TF45 | | | 18.5 kW | GAA638AA1 → GAA638DL1 | | 18.5 kW | 2 |
| 240V;50Hz | GAA638AA2 | | | | | | | | |
| 240V;60Hz | GAA638AA3 | | | | | | | | |
| 230V;50Hz | GAA638AA4 | | | | | | | | |

SCREW TERMINAL

CAGE CLAMP

OLD

NEW



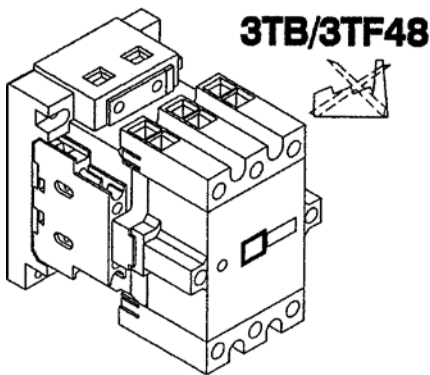
⚡ 110V;50Hz / 120V;60Hz

⚙️ Rated closing power: 152 VA

| RATED COIL VOLTAGE | TYPE | AUXILIARY CONTACT | | RATED POWER AT | PART NO. | RATED POWER AT | AUXILIARY CONTACTS | | |
|-----------------------|---------------------|---------------------|----|----------------|---------------|----------------|--------------------|-----------|--------------------|
| | | NO | NC | 380/400 V | | 380/400 V | NO | NC | |
| | | | | 380/400 V | | 380/400 V | | | |
| ⚡ | 3TB46 & 3TF46 | 2 | 2 | 22.0 kW | GAA638P1 | 30.0 kW | 2 | 2 | |
| 110V; 50Hz | | | | | GAA638P3 ⚙️ | | | | GAA638DN4 |
| 110V; 50Hz | | | | | GOA613AT221 → | | | | GAA638DN4 |
| 110V; 50/60Hz | | | | | GAA638P2 → | | | | 50 Hz ↑ ↓ 60 Hz |
| 110V; 60Hz | | | | | GOA613AT222 → | | | | GAA638DN5 |
| 230V; 50Hz | | | | | GOB613AT223 | | | | |
| 220V; 60Hz | | GOA613AT224 | | | | | | | |
| 125VDC | | GOA613AT225 | | | | | | | |
| 42VDC | | GOA613AT226 | | | | | | | |
| 110V; 50Hz | | GOA613AT441 | | | | | | | |
| 110V; 60Hz | | GOA613AT442 | | | | | | | |
| 230V; 50Hz | | GOB613AT443 | | | | | | | |
| 220V; 50Hz | | GOA613AT444 | | | | | | | |
| 110V; 50Hz | | 3TB47 & 3TF47 | 2 | | 2 | | GOA613BL221 → | GAA638DN4 | 30.0 kW |
| 110V; 60Hz | GOA613BL222 → | | | GAA638DN5 | | | | | |
| 230V; 50Hz | GOB613BL223 | | | | | | | | |
| 220V; 60Hz | GOA613BL224 | | | | | | | | |
| 42VDC | GOA613BL226 | | | | | | | | |
| 240V; 50Hz | GAA638AL1 | | | | | | | | |
| 240V; 60Hz | GAA638AL2 | | | | | | | | |
| 230V; 50Hz | 4 | | 4 | | GAA638AL3 | | | | |

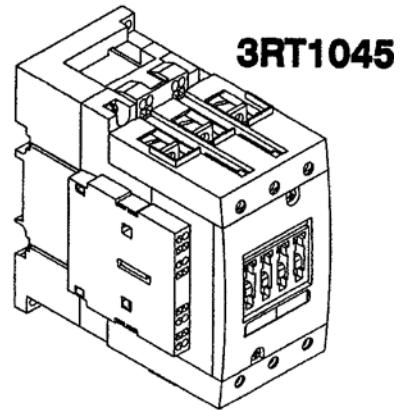
SCREW TERMINAL

OLD



CAGE CLAMP

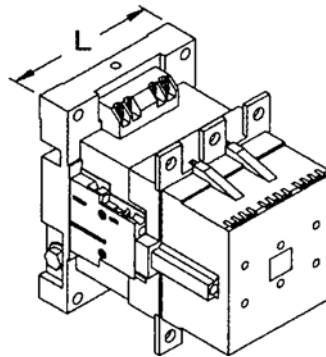
NEW



| RATED COIL VOLTAGE | TYPE | OLD | | | PART NO. | NEW | | |
|-----------------------|---------------------|-------------------|----|----------------|------------------------------------|----------------|--------------------|----|
| | | AUXILIARY CONTACT | | RATED POWER AT | | RATED POWER AT | AUXILIARY CONTACTS | |
| | | NO | NC | 380/400 V | | | 380/400 V | NO |
| 110V; 50Hz | 3TB48 & 3TF48 | 2 | 2 | 37.0 kW | GOA613AV221 → GAA638DP4 | 37.0 kW | 2 | 2 |
| 110V; 60Hz | | | | | GOA613AV222 → GAA638DP5 | | | |
| 230V; 50Hz | | | | | GOB613AV223 | | | |
| 220V; 60Hz | | | | | GOA613AV224 | | | |
| 110V; 50Hz | | 4 | 4 | | GOA613AV441 | | | |
| 110V; 60Hz | | | | | GOA613AV442 | | | |
| 220V; 50Hz | | | | | GOA613AV443 | | | |
| 220V; 60Hz | | | | | GOA613AV444 | | | |

SCREW TERMINAL

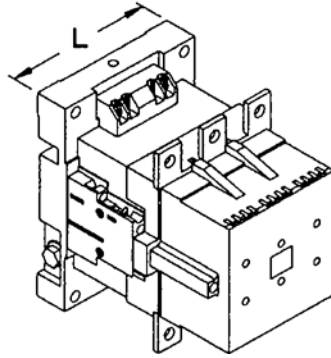
| L | TYPE |
|-----|-------|
| 120 | 3TB50 |
| | 3TF50 |
| 135 | 3TB52 |
| | 3TF52 |



| RATED COIL VOLTAGE | TYPE | AUXILIARY CONTACTS | | RATED POWER AT 380/40 V | PART NO. |
|--------------------|---------------------|--------------------|----|-------------------------|-------------|
| | | NO | NC | | |
| 110V; 50Hz | 3TB50 & 3TF50 | 2 | 2 | 55.0 kW | GOA613AW221 |
| 110V; 60Hz | | | | | GOA613AW222 |
| 230V; 50Hz | | | | | GOB613AW223 |
| 220V; 60Hz | | | | | GOA613AW224 |
| 110V; 50Hz | | 4 | 4 | | GOA613AW441 |
| 110V; 60Hz | | | | | GOA613AW442 |
| 220V; 50Hz | | | | | GOA613AW443 |
| 220V; 60Hz | | | | | GOA613AW444 |
| 110V; 50Hz | 3TB52 & 3TF52 | 2 | 2 | 90.0 kW | GOA613AL221 |
| 110V; 60Hz | | | | | GOA613AL222 |
| 230V; 50Hz | | | | | GOB613AL223 |
| 220V; 60Hz | | | | | GOA613AL224 |
| 110V; 50Hz | | 4 | 4 | | GOA613AL441 |
| 110V; 60Hz | | | | | GOA613AL442 |
| 220V; 50Hz | | | | | GOA613AL443 |
| 220V; 60Hz | | | | | GOA613AL444 |

SCREW TERMINAL

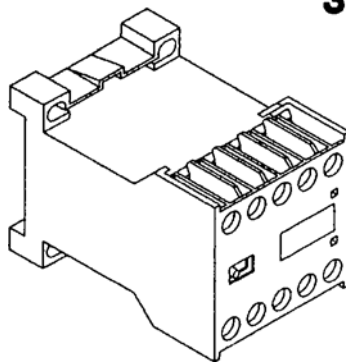
| L | TYPE |
|-----|-------|
| 145 | 3TB54 |
| 135 | 3TF54 |
| 160 | 3TB56 |
| | 3TF56 |



| RATED COIL VOLTAGE | TYPE | AUXILIARY CONTACTS | | RATED POWER AT 380/40 V | PART NO. |
|--------------------|---------------------|--------------------|----|-------------------------|-------------|
| | | NO | NC | | |
| 110V; 50Hz | 3TB54 & 3TF54 | 2 | 2 | 132.0 kW | GOA613AM221 |
| 110V; 60Hz | | | | | GOA613AM222 |
| 220V; 50Hz | | | | | GOA613AM223 |
| 220V; 60Hz | | | | | GOA613AM224 |
| 110V; 50Hz | | 4 | 4 | | GOA613AM441 |
| 110V; 60Hz | | | | | GOA613AM442 |
| 230V; 50Hz | | | | | GOB613AM443 |
| 220V; 60Hz | | | | | GOA613AM444 |
| 110V; 50Hz | 3TB56 & 3TF56 | 2 | 2 | 200.0 kW | GOA613BB221 |
| 110V; 60Hz | | | | | GOA613BB222 |
| 220V; 50Hz | | | | | GOA613BB223 |
| 220V; 60Hz | | | | | GOA613BB224 |

SCREW TERMINAL

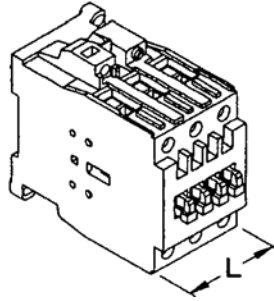
3TF20



| RATED COIL VOLTAGE | TYPE | AUXILIARY CONTACTS | | RATED POWER AT 380/40 V | PART NO. | |
|--------------------|-------|--------------------|-----|-------------------------|-------------|-----------|
| | | NO | NC | | | |
| 110V; 50Hz | 3TF20 | --- | 1 | 4.0 kW | GO613DE11 | |
| 24VDC | | | | | GO613DE100 | |
| 110V; 50/60Hz | | | | | GAA638R2 | |
| 110; 50Hz | | | | | GO613DE101 | |
| 110V; 60Hz | | | | | GO613DE102 | |
| 230V; 50Hz | | | | | GOA613DE103 | |
| 220V; 60Hz | | | | | GO613DE104 | |
| 240V; 50Hz | | | | | GAA638R3 | |
| 240V; 60Hz | | | | | GAA638R4 | |
| 240V; 50Hz | | | --- | | 1 | GAA638AV1 |
| 240V; 60Hz | | | | | | GAA638AV2 |

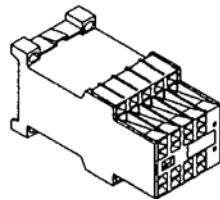
SCREW TERMINAL

| L | TYPE |
|----|-------|
| 45 | 3TF32 |
| 55 | 3TF34 |



| RATED COIL VOLTAGE | TYPE | AUXILIARY CONTACTS | | RATED POWER AT 380/40 V | PART NO. |
|--------------------|-------|--------------------|-----|-------------------------|-----------|
| | | NO | NC | | |
| 110V; 50/60Hz | 3TF32 | --- | --- | 7.5 kW | GAA638AJ1 |
| 24V; 50/60Hz | 3TF34 | 2 | 2 | 15.0 kW | GAA638AG7 |
| 110V; 50Hz | | | | | GAA638AG1 |
| 110V; 60Hz | | | | | GAA638AG2 |
| 120V; 60Hz | | | | | GAA638AG3 |
| 230V; 50Hz | | | | | GAA638AG4 |
| 220V; 50Hz | | | | | GBA638AG5 |
| 42 VDC | | | | | GAA638AG6 |
| | | | | | GAA638AH1 |

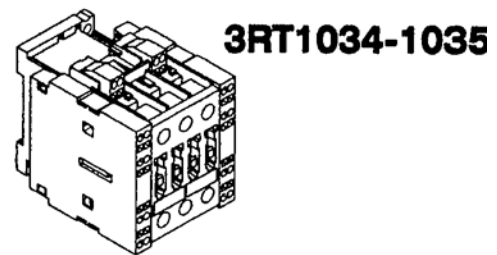
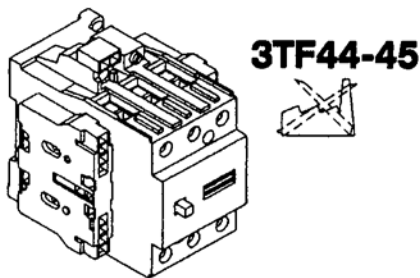
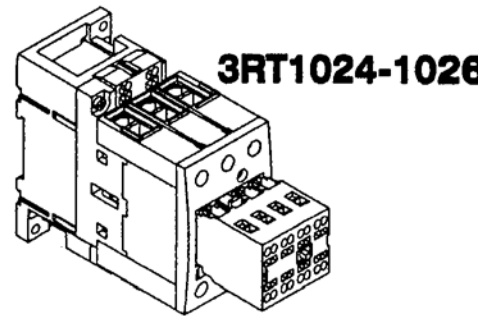
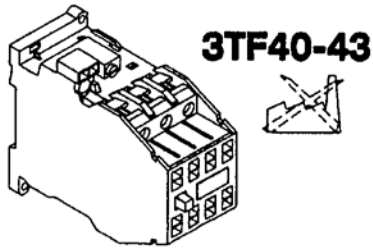
TAB CONNECTOR



| RATED COIL VOLTAGE | TYPE | AUXILIARY CONTACTS | | RATED POWER AT 380/40 V | PART NO. |
|--------------------|-------|--------------------|----|-------------------------|-----------|
| | | NO | NC | | |
| 30VDC | 3TF22 | 2 | 2 | 3.0 kW | GAA638AM1 |

**TAB CONNECTOR
OLD**

**CAGE CLAMP
NEW**

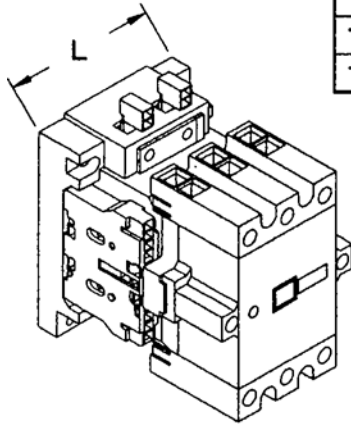






| RATED COIL VOLTAGE | TYPE | OLD | | | NEW | | | |
|--------------------|------|-------------------|----|--------------------------|----------|--------------------------|--------------------|--|
| | | AUXILIARY CONTACT | | RATED POWER AT 380/400 V | PART NO. | RATED POWER AT 380/400 V | AUXILIARY CONTACTS | |
| | | NO | NC | NO | | | NC | |

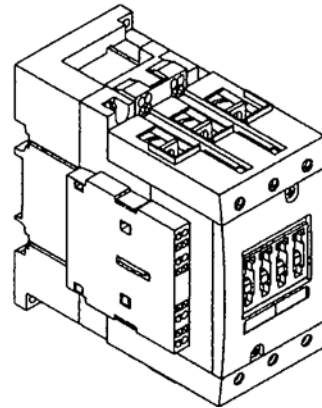
| | | | | | | | | | |
|-------------|-------|---|---|---------|------------|-----------|---------|-----|-----|
| 110V; 50 Hz | 3TF40 | 2 | 2 | 4.0 kW | GAA638S1 → | GAA638BE1 | 5.5 kW | 2 | 2 |
| 110V; 60 Hz | | | | | GAA638S2 → | GAA638BE2 | | | |
| 110V; 50 Hz | 3TF41 | 2 | 2 | 5.5 kW | GAA638T1 → | GAA638BE1 | 11.0 kW | 2 | 2 |
| 110V/ 60 Hz | | | | | GAA638T2 → | GAA638BE2 | | | |
| 110V; 50 Hz | 3TF42 | 2 | 2 | 7.5 kW | GAA638V1 → | GAA638BN1 | --- | --- | --- |
| 110V; 60 Hz | | | | | GAA638V2 → | GAA638BN2 | | | |
| 240V; 50 Hz | | | | | GAA638V3 | | | | |
| 240V; 60 Hz | | | | | GAA638V4 | | | | |
| 110V; 50 Hz | 3TF43 | 2 | 2 | 11.0 kW | GAA638W4 → | GAA638BN1 | 11.0 kW | 2 | 2 |
| 110V; 60 Hz | | | | | GAA638W2 → | GAA638BN2 | | | |
| 110V; 50 Hz | 3TF44 | 2 | 2 | 15.0 kW | GAA638X1 → | GAA638CB4 | 15.0 kW | 2 | 2 |
| 110V; 60 Hz | | | | | GAA638X2 → | GAA638CB5 | | | |
| 240V; 50 Hz | | | | | GAAQ638X3 | | | | |
| 240V; 60 Hz | | | | | GAA638X4 | | | | |
| 110V; 50 Hz | 3TF45 | 2 | 2 | 18.5 kW | GAA638Y1 → | GAA638DL1 | 18.5 kW | 2 | 2 |
| 110V; 60 Hz | | | | | GAA638Y2 → | GAA638DL2 | | | |
| 240V; 50 Hz | | | | | GAA638Y3 | | | | |
| 240V; 60 Hz | | | | | GAA638Y4 | | | | |

**TAB CONNECTOR
OLD**

**CAGE CLAMP
NEW**



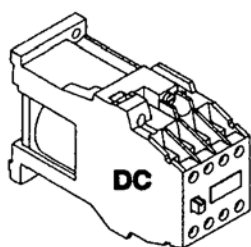
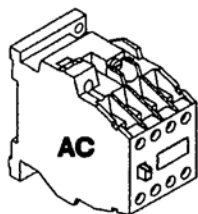
| L | TYPE | |
|-----|-----------------------------------------------------------------------------------------|-----------|
| 90 | 3TF46  | → 3RT1044 |
| | 3TF47  | |
| 100 | 3TF48  | → 3RT1045 |
| | 3TF49  | |
| 120 | 3TF50 | |
| 135 | 3TF52 | |



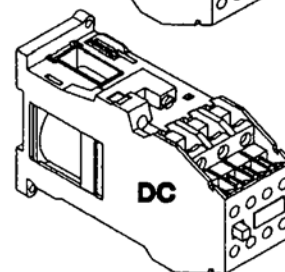
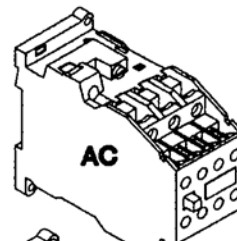
| RATED COIL VOLTAGE | TYPE | AUXILIARY CONTACTS | | RATED POWER AT 380/400 V | PART NO. | | RATED POWER AT 380/400 V | AUXILIARY CONTACTS | |
|--------------------|-------|--------------------|---------|--------------------------|------------|-----------|--------------------------|--------------------|----|
| | | NO | NC | | | | | NO | NC |
| | | | | | | | | | |
| 110V; 50 Hz | 3TF46 | | | 22.0 kW | GAA638Z1 → | GAA638DN4 | 30.0 kW | 2 | 2 |
| 110V; 60 Hz | | | | | GAA638Z2 → | GAA638DN5 | | | |
| 110V; 50 Hz | 3TF47 | | 30.0 kW | GAA638AB1 → | GAA638DN4 | | | | |
| 110V/ 60 Hz | | | | GAA638AB2 → | GAA638DN5 | | | | |
| 240V; 50 Hz | | | | GAA638AB3 | | | | | |
| 240V; 60 Hz | | | | GAA638AB4 | | | | | |
| 110V; 50 Hz | 3TF48 | | 37.0 kW | GAA638AF1 → | GAA638DP4 | 37.0 kW | 2 | 2 | |
| 110V; 60 Hz | | | | GAA638AF2 → | GAA638DP5 | | | | |
| 110V; 50 Hz | 3TF49 | 2 | 45.0 kW | GAA638AD1 | GAA638DR4 | 45.0 kW | | | |
| 240V; 50 Hz | | | | GAA638AD2 | | | | | |
| 240V; 60 Hz | | | | GAA638AD3 | | | | | |
| 110V; 50 Hz | 3TF50 | | 55.0 kW | GAA638AC1 | | | | | |
| 110V; 60 Hz | | | | GAA638AC2 | | | | | |
| 240V; 50 Hz | 3TF51 | | 75.0 kW | GAA638AS1 | | | | | |
| 240V; 60 Hz | | | | GAA638AS2 | | | | | |
| 110V; 50 Hz | 3TF52 | | 90.0 kW | GAA638AE1 | | | | | |
| 110V; 60 Hz | | | | GAA638AE2 | | | | | |

SCREW TERMINAL

3TH80/3TH40



3TH42

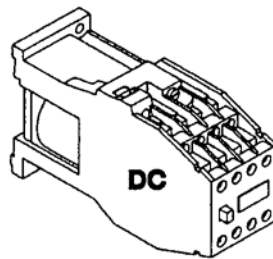
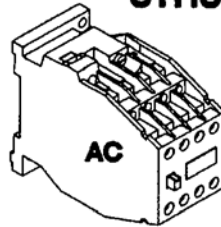


⚙️ Relay for back-up combination units (with rectifier)

| RATED COIL VOLTAGE | TYPE | CONTACTS | | OLD | PART NO. | NEW | AUXILIARY CONTACTS | |
|--------------------|---------------------|----------|----|----------------------------|-------------|--------------------------|--------------------|-----|
| | | NO | NC | RATED CURRENT AT 380/400 V | | RATED POWER AT 380/400 V | NO | NC |
| | | | | | | | | |
| 110V; 50 Hz | 3TH80 & 3TH40 | 2 | 2 | 6.0 A | GO613AN221 | --- | --- | --- |
| 110V; 60 Hz | | | | | GO613AN222 | | | |
| 230V; 50 Hz | | | | | GOA613AN223 | | | |
| 220V; 60 Hz | | | | | GO613AN224 | | | |
| 125 VDC | | | | | GO613AN225 | | | |
| 42 VDC | | | | | GO613AN226 | | | |
| 24 VDC | | | | | GO613AN220 | | | |
| | | | | | GO613CK220● | | | |
| 24 VDC | | | | | GO613AN229 | | | |
| 24V; 60 Hz | | | | | GAA613ER1 | | | |
| 42V; 50 Hz | | | | | GAA613ER2 | | | |
| 24 VDC | | | | | 4 | | | |

SCREW TERMINAL

3TH82/3TH42

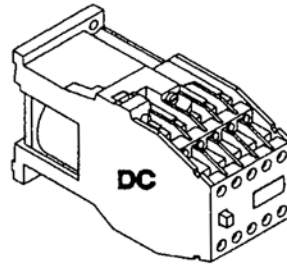
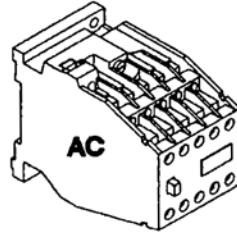


⌘ = 3 NORMAL CONTACTS & 1 OVERLAP CONTACT

| RATED COIL VOLTAGE | TYPE | CONTACTS | | RATED CURRENT AT | PART NO. |
|--------------------------|---------------------|----------|-----------|---------------------|-------------|
| | | NO | NC | 380/400 V | |
| 110V; 50 Hz | 3TH82 & 3TH42 | 4 | 4 | 6.0 A | GO613AP441 |
| 110V; 60 Hz | | | | | GO613AP442 |
| 230V; 50 Hz | | | | | GOA613AP443 |
| 220V; 60 Hz | | | | | GO613AP444 |
| 24 VDC | | | | | GO613AP440 |
| 30 VDC | | | | | GO613AP447 |
| 36 VDC | | | | | GAA613EK2 |
| 48 VDC | | | | | GAA613EK1 |
| 125 VDC | | | | | GO613AP445 |
| | | | | | GO613AP535 |
| 110V; 50 Hz | | 5 | 3 | | GO613AP711 |
| 110V; 60 Hz | | | | | GO613AP712 |
| 230V; 50 Hz | | 7 | 1 | | GOA613AP713 |
| 220V; 50 Hz | | | | | GO613AP713 |
| 42V; 50 Hz | | 4 | 4 | | GAA613EM1 |
| 42V; 60 Hz | | ⌘ | ⌘ | | GAA613EM2 |
| | | | GAA613EM3 | | |

SCREW TERMINAL

3TH83/3TH43



⌘ = 4 NORMAL CONTACTS & 1 OVERLAP CONTACT

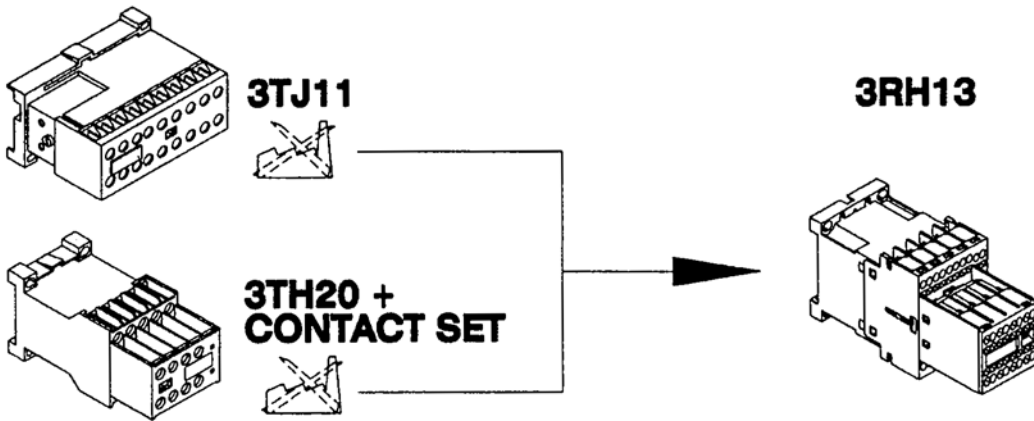
| RATED COIL VOLTAGE | TYPE | CONTACTS | | RATED CURRENT AT | PART NO. |
|--------------------------|---------------------|----------|----|---------------------|-------------|
| | | NO | NC | 380/400 V | |
| 110V; 50 Hz | 3TH83 & 3TH43 | 5 | 5 | 6.0 A | GO613AR551 |
| 110V; 60 Hz | | | | | GO613AR552 |
| 230V; 50 Hz | | | | | GOA613AR553 |
| 36 VDC | | | | | GO613AR557 |
| 42 VDC | | | | | GAA613EY1 |
| 42V; 50 Hz | | 5 | 5 | | GAA613EX1 |
| 220V; 50 Hz | | ⌘ | ⌘ | | GAA613EX2 |
| 220V; 60 Hz | | 7 | 3 | | GAA613EX3 |
| 24 VDC | | | | | GO613AR730 |
| 110V; 50 Hz | | | | | GO613AR731 |
| 110V; 60 Hz | | | | | GO613AR732 |

SCREW TERMINAL

CAGE CLAMP

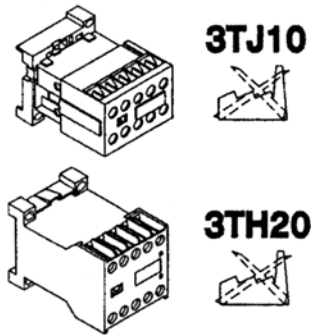
OLD

NEW

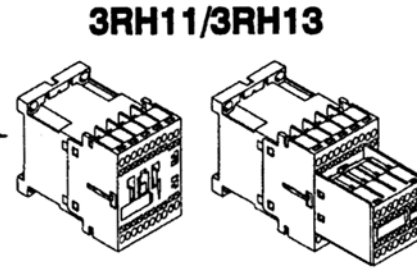


| RATED COIL VOLTAGE | TYPE | OLD | | RATED POWER AT 380/400 V | PART NO. | RATED POWER AT 380/400 V | NEW | |
|--------------------|-------|-------------------|-----|-----------------------------------|-----------------------------------|--------------------------|--------------------|----|
| | | AUXILIARY CONTACT | | | | | AUXILIARY CONTACTS | |
| | | NO | NC | | | | NO | NC |
| 24 VDC | 3TJ11 | 4 | 4 | 3.0 A | GO613BV440 → GAA613GZ2 | 3.0 A | 4 | 4 |
| | 3TH20 | 4 | --- | | GO613CE400 → GAA613GZ2 | | 4 | 4 |
| --- | 3TX44 | --- | 4 | | --- | | --- | |
| 24 VDC | 3TJ11 | 6 | 2 | | GO613BV620 → GAA613HD2 | | 6 | 2 |
| | 3TH20 | 4 | --- | | GO613CE400 → GAA613HD2 | | 6 | 2 |
| --- | 3TX44 | 2 | 2 | | --- | | --- | |
| 110V; 50 Hz | 3TJ11 | 6 | 2 | | GO613BV621 → GA613GL3 | | 6 | 2 |
| | 3TH20 | 4 | --- | | GO613CE401 → GA613GL3 | | 6 | 2 |
| --- | 3TX44 | 2 | 2 | | --- | | --- | |
| 110V; 60 Hz | 3TJ11 | 6 | 2 | | GO613BV622 → GAA613HC1 | | 6 | 2 |
| | 3TH20 | 4 | --- | GO613CE402 → GAA613HC1 | 6 | 2 | | |
| --- | 3TX44 | 2 | 2 | --- | --- | | | |

**SCREW TERMINAL
OLD**



**CAGE CLAMP
NEW**



| RATED COIL VOLTAGE | TYPE | AUXILIARY CONTACT | | RATED POWER AT 380/400 V | PART NO. | | RATED POWER AT 380/400 V | AUXILIARY CONTACTS | | | |
|--------------------|-------|-------------------|-----|--------------------------|--------------------------|-----------|--------------------------|--------------------|-------|-----|-----|
| | | NO | NC | | | | | NO | NC | | |
| | | | | | | | | | | | |
| 24 VDC | 3TH20 | 4 | --- | 3.0 A | GO613CE400 → | GAA613GZ2 | 3.0 A | 4 | 4 | | |
| 110V; 50 Hz | | | | | GO613CE401 → | GAA613GM1 | 3.0 A | 4 | --- | | |
| 110V; 60 Hz | | | | | GO613CE402 → | GAA613GM1 | 3.0 A | 4 | --- | | |
| 110V; 50/60 Hz | | | | | --- | --- | --- | GAA613GM1 | 3.0 A | 4 | --- |
| 30 VDC | | 4 | --- | | GO613CE407 → | GAA613HE3 | 3.0 A | 4 | --- | | |
| 24 VDC | | 3 | 1 | | GO613CE310 → | GAA613GN1 | 3.0 A | 3 | 1 | | |
| 110V; 50 Hz | | | | | GO613CE311 → | GAA613GT1 | 3.0 A | 3 | 1 | | |
| 110V; 60 Hz | | | | | GO613CE312 → | GAA613GT1 | 3.0 A | 3 | 1 | | |
| 110V; 50/60 Hz | | | | | --- | --- | --- | GAA613GT1 | 3.0 A | 3 | 1 |
| 42V; 60 Hz | | | | | 3 | 1 | GAA613EP5 | --- | --- | --- | --- |
| 30 VDC | | | | | | | GO613CE317 → | GAA613HE2 | 3.0 A | 3 | 1 |
| 110 VDC | | | | | | | GO613CE318 → | GAA613GV1 | 3.0 A | 3 | 1 |
| 42V; 50 Hz | | | | | | | GAA613EP4 | --- | --- | --- | --- |
| 230V; 50 Hz | | 2 | 2 | | | | GOA613CE313 | --- | --- | --- | --- |
| | | | | | | | GAA613EP10 | GAA613GR1 | 3.0 A | 2 | 2 |
| | | | | | GOA613CE223 → | GAA613GR1 | 3.0 A | 2 | 2 | | |
| | | | | | GO613CE224 | GAA613GR1 | 3.0 A | 2 | 2 | | |
| 220V; 60 Hz | | --- | --- | | --- | GAA613GR1 | 3.0 A | 2 | 2 | | |
| 230V; 50/60 Hz | | 2 | 2 | | GO613CE221 | GAA613GM2 | 3.0 A | 2 | 2 | | |
| 110V; 50 Hz | | | | | GO613CE222 | GAA613GM2 | 3.0 A | 2 | 2 | | |
| 110V; 60 Hz | | | | | --- | --- | --- | GAA613GM2 | 3.0 A | 2 | 2 |
| 110V; 50/60 Hz | | | | | --- | --- | --- | GAA613GM2 | 3.0 A | 2 | 2 |
| 24 VDC | | | | | GO613CE220 | GAA613GS2 | 3.0 A | 2 | 2 | | |
| 125 VDC | | | | | GO613CE225 | --- | --- | --- | --- | | |
| 24V; 50Hz | | | | | GO613CE229 | --- | --- | --- | --- | | |
| 24V; 60 Hz | | | | | GAA613EP1 | --- | --- | --- | --- | | |
| 240V; 50 Hz | | GAA613EP8 | --- | | --- | --- | --- | | | | |
| 240V; 60 Hz | | GAA613EP9 | --- | | --- | --- | --- | | | | |

SCREW TERMINAL

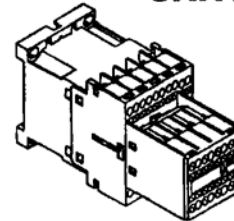
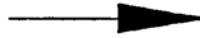
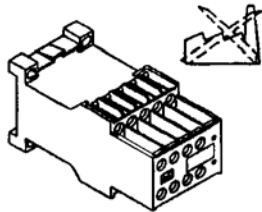
CAGE CLAMP

OLD

NEW

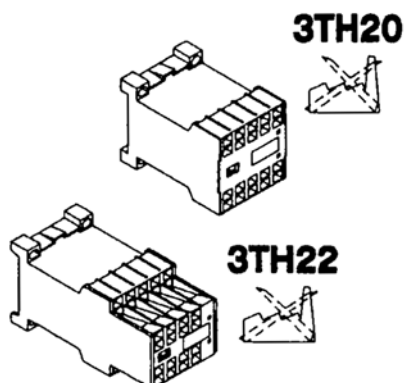
3TH22

3RH13

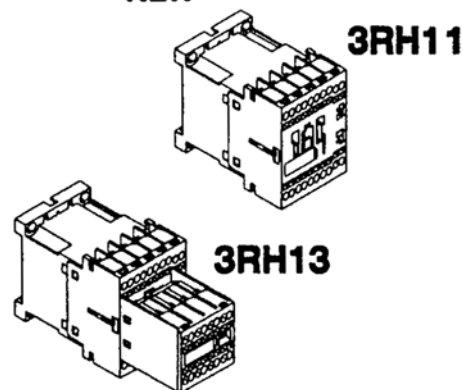


| RATED COIL VOLTAGE | TYPE | AUXILIARY CONTACT | | RATED POWER AT 380/400 V | PART NO. | | RATED POWER AT 380/400 V | AUXILIARY CONTACTS | |
|--------------------|-------|-------------------|----|--------------------------|--------------------------|-----------|--------------------------|--------------------|-----|
| | | NO | NC | | | | | NO | NC |
| | | | | | | | | | |
| 24 VDC | 3TH22 | 4 | 4 | 3.0 A | GO613DR440 → | GAA613GZ2 | 3.0 A | 4 | 4 |
| 110V; 50 Hz | | | | | GO613DR441 → | GAA613GL4 | 3.0 A | 4 | 4 |
| 110V; 60 Hz | | | | | GO613DR442 → | GAA613GL4 | 3.0 A | 4 | 4 |
| 110V; 50/60 Hz | | | | | | GAA613GL4 | 3.0 A | 4 | 4 |
| 230V; 50 Hz | | 4 | 4 | | GOA613DR443 → | GAA613GY1 | 3.0 A | 4 | 4 |
| 125 VDC | | | | | GO613DR445 | ---- | --- | --- | --- |
| 30 VDC | | | | | GO613DR447 → | GAA613GZ3 | 3.0 A | 4 | 4 |
| 240V; 50 Hz | | | | | GAA613EW6 | | | | |
| 240V; 60 Hz | | | | | GAA613EW7 | | | | |
| 110V; 50 Hz | | | | | GAA613EW1 | | | | |
| 110V; 60 Hz | | | | | GAA613EL1 | | | | |
| 24 VDC | | | | | GAA613EL5 | | | | |
| 30 VDC | | | | | GAA613EW2 | | | | |
| 110 VDC | | | | | GAA613EW3 | | | | |
| 42V; 50 Hz | | | | | GAA613EW4 | | | | |
| 42V; 60 Hz | | | | | GAA613EW5 | | | | |
| 240V; 50 Hz | | 6 | 2 | | GAA613EL2 → | GAA613HD2 | 3.0 A | 6 | 2 |
| 240V; 60 Hz | | | | | GO613DR627 → | GAA613HD3 | 3.0 A | 6 | 2 |
| 24 VDC | | | | | GO613DR624 → | GAA613GL3 | 3.0 A | 6 | 2 |
| 30 VDC | | | | | | GAA613GL3 | 3.0 A | 6 | 2 |
| 110V; 50 Hz | | | | | | | | | |
| 110V; 50/60 Hz | | | | | | | | | |
| | | | | | | | | | |
| | | | | | | | | | |

**TAB CONNECTOR
OLD**

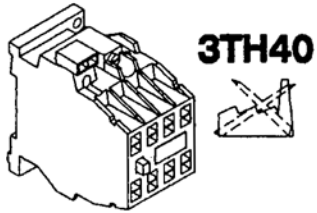


**CAGE CLAMP
NEW**

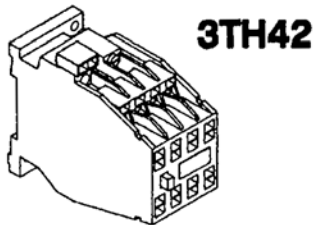


| RATED COIL VOLTAGE | OLD | | | | NEW | | | | | | | | |
|--------------------|-------|-------------------|-------|--------------------------|-------------|-------------|--------------------------|--------------------|-------------|-------------|-----------|-------|---|
| | TYPE | AUXILIARY CONTACT | | RATED POWER AT 380/400 V | PART NO. | | RATED POWER AT 380/400 V | AUXILIARY CONTACTS | | | | | |
| | | NO | NC | | | | | NO | NC | | | | |
| 110 VDC | 3TH20 | 3 | 1 | 3.0 A | GAA613FF5 → | GAA613GV1 | 3.0 A | 3 | 1 | | | | |
| 24 VDC | | | | | GAA613FF3 → | GAA613GN1 | 3.0 A | 3 | 1 | | | | |
| 110V; 50 Hz | | | | | GAA613EZ2 → | GAA613GT1 | 3.0 A | 3 | 1 | | | | |
| 110V; 60 Hz | | | | | GAA613EZ5 → | GAA613GT1 | 3.0 A | 3 | 1 | | | | |
| 110V; 50/60 Hz | | --- | --- | | --- | GAA613GT1 | 3.0 A | 3 | 1 | | | | |
| 30 VDC | | 4 | --- | | --- | GAA613FF4 → | GAA613HE3 | 3.0 A | 4 | --- | | | |
| 48 VDC | | | | | | GAA613FF7 → | GAA613GN2 | 3.0 A | 4 | --- | | | |
| 110V; 50 Hz | | | | | | GAA613EZ3 → | GAA613GM1 | 3.0 A | 4 | --- | | | |
| 110V; 60 Hz | | | | | | GAA613EZ6 → | GAA613GM1 | 3.0 A | 4 | --- | | | |
| 110V; 50/60 Hz | | --- | --- | | --- | GAA613GM1 | 3.0 A | 4 | --- | | | | |
| 12 VDC | | 3TH22 | 2 | | 2 | 3.0 A | GAA613FF2 | | --- | --- | --- | | |
| 48 VDC | | | | | | | GAA613FF6 → | GAA613GS1 | 3.0 A | 2 | 2 | | |
| 110V; 50 HZ | | | | | | | GAA613EZ1 → | GAA613GM2 | 3.0 A | 2 | 2 | | |
| 110V; 60 Hz | | | | | | | GAA613EZ4 → | GAA613GM2 | 3.0 A | 2 | 2 | | |
| 110V; 50/60 Hz | | | --- | | --- | | --- | GAA613GM2 | 3.0 A | 2 | 2 | | |
| 230V; 50 Hz | | | 2 | | 2 | | | GBA613EZ7 → | GAA613GR1 | 3.0 A | 2 | 2 | |
| 220V; 60 Hz | | | | | | | | GAA613EZ8 → | GAA613GR1 | 3.0 A | 2 | 2 | |
| 220V; 50/60 Hz | | | --- | | --- | | --- | --- | GAA613GR1 | 3.0 A | 2 | 2 | |
| 110V; 50 Hz | | | 3TH22 | | 4 | | 4 | 3.0 A | GAA613FA1 → | GAA613GL4 | 3.0 A | 4 | 4 |
| 110V; 60 Hz | | | | | | | | | GAA613FA3 → | GAA613GL4 | 3.0 A | 4 | 4 |
| 110V; 50/60 Hz | --- | | | --- | | | | | --- | GAA613GL4 | 3.0 A | 4 | 4 |
| 30 VDC | 4 | | | 4 | | | | | | GAA613FB1 → | GAA613GZ3 | 3.0 A | 4 |
| 24 VDC | | | | | GAA613FB4 → | GAA613GZ2 | 3.0 A | | 4 | 4 | | | |
| | --- | --- | | --- | GAA613FB3 → | GAA613HD2 | 3.0 A | | 6 | 2 | | | |
| 110V; 50 Hz | 6 | 2 | | | GAA613FA2 → | GAA613GL3 | 3.0 A | | 6 | 2 | | | |
| 110V; 60 Hz | | | | | GAA613FA4 → | GAA613GL3 | 3.0 A | | 6 | 2 | | | |
| 110V; 50/60 Hz | --- | --- | --- | --- | GAA613GL3 | 3.0 A | 6 | 2 | | | | | |

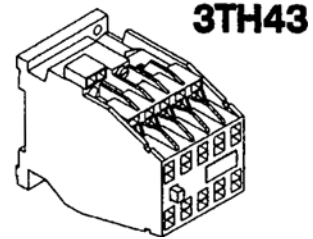
TAB CONNECTOR



3TH40



3TH42

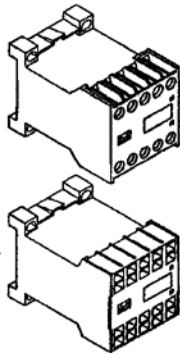


3TH43

| RATED COIL VOLTAGE | TYPE | AUXILIARY CONTACTS | | RATED POWER AT | PART NO. | | |
|--------------------------|-------|-----------------------|----|-------------------|-----------|---|-----------|
| | | NO | NC | 380/400 V | | | |
| 110V; 50 Hz | 3TH40 | 3 | 1 | 6.0 A | GAA613FN1 | | |
| 110V; 60 Hz | | | | | GAA613FN2 | | |
| 24 VDC | 3TH42 | 6 | 2 | | GAA613FK1 | | |
| 110V; 50 Hz | 3TH43 | 6 | 4 | | GAA613FG1 | | |
| 110V; 60 Hz | | | | | GAA613FG3 | | |
| 110V; 50 Hz | | | | | 7 | 3 | GAA613FG2 |
| 110V; 60 Hz | | | | | | | GAA613FG4 |

SCREW TERMINAL & TAB CONNECTOR

OLD



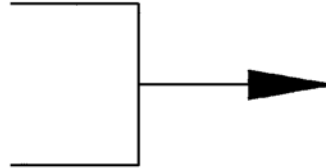
3TH20



3TH20

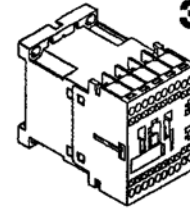


INTERFACE RELAY



CAGE CLAMP

NEW

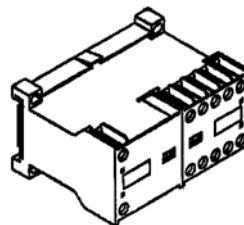


3RH11

| RATED COIL VOLTAGE | TYPE | OLD | | | PART NO. | NEW | | |
|--------------------|-------|-------------------|-----|--------------------------|------------------------|--------------------------|--------------------|-----|
| | | AUXILIARY CONTACT | | RATED POWER AT 380/400 V | | RATED POWER AT 380/400 V | AUXILIARY CONTACTS | |
| | | NO | NC | | | | NO | NC |
| 24 VDC | 3TH20 | 2 | 2 | 3.0 A | GO613DA220 → GAA613HE1 | 3.0 A | 2 | 2 |
| | | 3 | 1 | | GO613DA340 → GAA613HE2 | | 3 | 1 |
| | | | | | GAA613FH1 → GAA613HE2 | | | |
| | | 4 | --- | | GO613DA400 → GAA613HE3 | | 4 | --- |

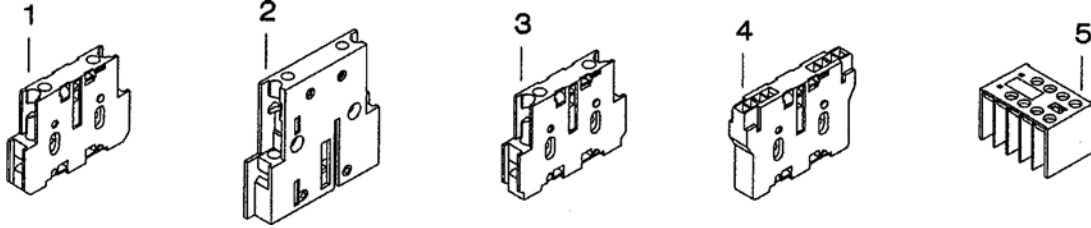
SCREW TERMINAL

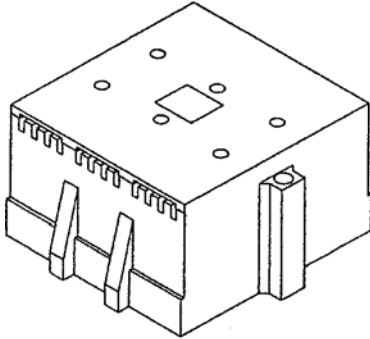
***RELAY WITH MECH. LATCHING**

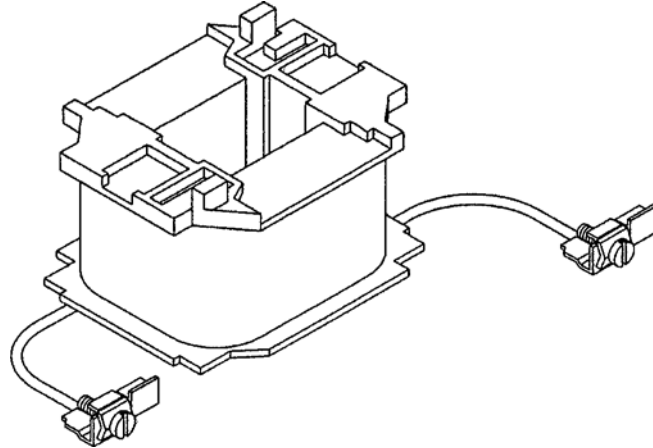


3TH27

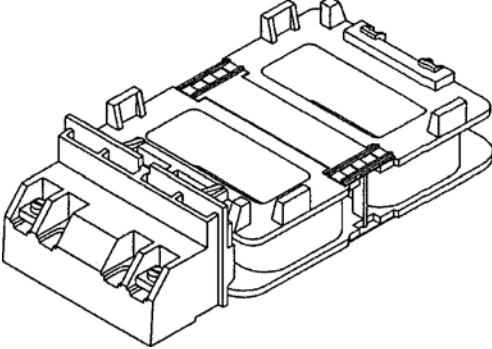
| RATED COIL VOLTAGE | TYPE | AUXILIARY CONTACTS | | RATED POWER AT 380/400 V | PART NO. |
|--------------------|-------|--------------------|----|--------------------------|-----------|
| | | NO | NC | | |
| 24V; 60 Hz | 3TH27 | 2 | 2 | 3.0 A | GAA613EN1 |

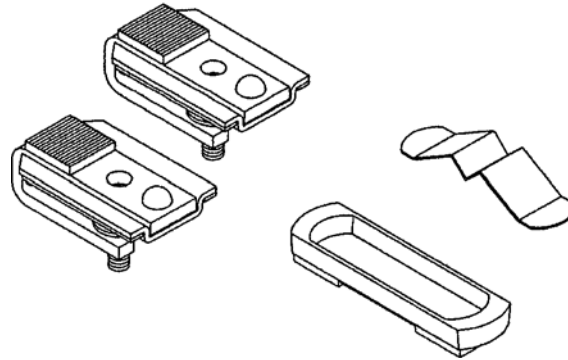


| REF. | PART NO. | USED FOR TYPE | DESCRIPTION |
|------------|------------|---------------|---------------------------------------------------------------------------------------------------------|
| --- | GO276AB44 | 3TB44 |  ARC CHUTE |
| | GO276AB46 | 3TB46 | |
| | GO276AB47 | 3TB47 | |
| | GO276AB48 | 3TB48 | |
| | GO276AB50 | 3TB50 | |
| | GO276AB52 | 3TB52 | |
| | GO276AB54 | 3TB54 | |
| | GO276AB56 | 3TB56 | |
| | GOA276AB44 | 3TF44 | |
| | GOA276AB45 | 3TF45 | |
| | GOA276AB46 | 3TF46 | |
| | GOA276AB47 | 3TF47 | |
| | GOA276AB48 | 3TF48 | |
| | GOA276AB49 | 3TF49 | |
| | GOA276AB50 | 3TF50 | |
| | GOA276AB52 | 3TF52 | |
| | GOA276AB54 | 3TF54 | |
| GOA276AB56 | 3TF56 | | |
| 1 | GO156BS1 | 3TB44-3TB50 | Right |
| | GO156BT1 | | Left |
| | | | 1. Auxiliary contact block with screw terminals |
| 2 | GO156BS2 | 3TB52-3TB56 | Right |
| | GO156BT2 | | Left |
| | | | 2. Auxiliary contact block with screw terminals |
| 1 | GO156BS4 | 3TB46-3TB50 | Right |
| | GO156BT4 | | Left |
| | | | 2. Auxiliary contact block with screw terminals |
| 2 | GO156BS5 | 3TB52-3TB56 | Right |
| | GO156BT5 | | Left |
| | | | 2. Auxiliary contact block with screw terminals |
| 3 | GOA156BS1 | 3TF44-3TF56 | Right |
| | GOA156BT1 | | Left |
| | GOA156BS4 | 3TF46-3TF56 | Right |
| | GOA156BT4 | | Left |
| | | | 2. Auxiliary contact block with screw terminals |
| | | | For use in electronic circuits with screw terminals |
| 4 | GAA156CX1 | 3TF44-3TF52 | Right |
| | GAA156CY1 | | Left |
| | | | 1. Auxiliary contact block with tab connectors |
| 5 | GO156CM22 | 3TF2010 | Auxiliary contact block 2NO/2NC |

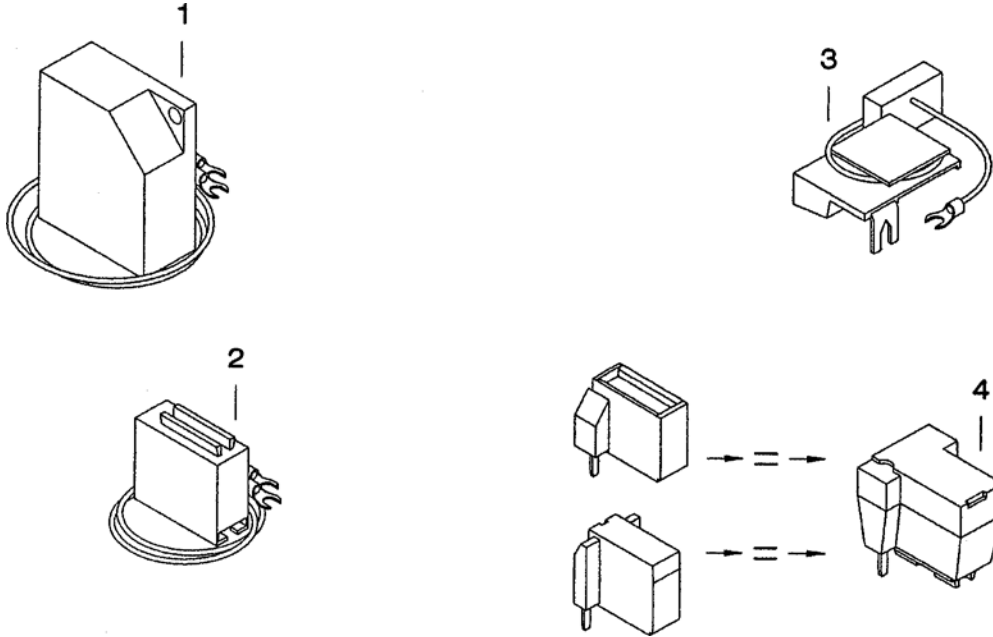


| PART NO. | RATED VOLTAGE | USED FOR TYPE | DESCRIPTION |
|-----------|---------------|------------------------------------------------|-------------|
| GO222R44 | 110V/50Hz | 3TH80-83/3TH40-43, 3TH30, 3TB40-44/3TF40-43 | Coil |
| GO222T44 | 110V/60Hz | | |
| GO222W44 | 220V/50Hz | | |
| GO222Y44 | 220V/60Hz | | |
| GOA222R45 | 110V/50Hz | 3TF34-34, 3TF44-45 | |
| GOA222T45 | 110V/60Hz | | |
| GOA222W45 | 220V/50Hz | | |
| GOA222Y45 | 220V/60Hz | | |
| GO222R46 | 110V/50Hz | 3TB46 | |
| GO222T46 | 110V/60Hz | | |
| GO222W46 | 220V/50Hz | | |
| GO222Y46 | 220V/60Hz | | |
| GOA222R46 | 110V/50Hz | 3TF46-47 | |
| GOA222T46 | 110V/60Hz | | |
| GOA222W46 | 220V/50Hz | | |
| GOA222Y46 | 220V/60Hz | | |

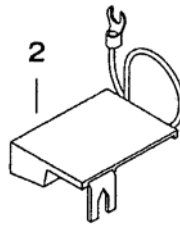
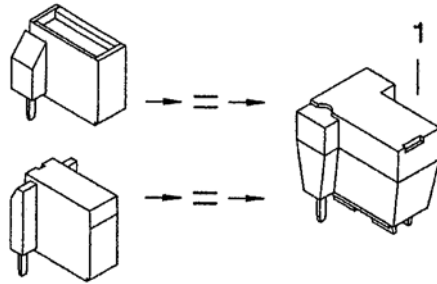
| PART NO. | RATED VOLTAGE | USED FOR TYPE | DESCRIPTION |
|-----------|---------------|---------------|-----------------------------------------------------------------------------------------------------------------------------|
| GO222R48 | 110V/50Hz | 3TB47-48 |  <p style="text-align: center;">COIL</p> |
| GO222T48 | 110V/60Hz | | |
| GO222W48 | 220V/50Hz | | |
| GO222Y48 | 220V/60Hz | | |
| GOA222R48 | 110V/50Hz | 3TF48-49 | |
| GOA222T48 | 110V/60Hz | | |
| GOA222W48 | 220V/50Hz | | |
| GOA222Y48 | 220V/60Hz | | |
| GO222R50 | 110V/50Hz | 3TF50 | |
| GO222T50 | 110V/60Hz | | |
| GO222W50 | 220V/50Hz | | |
| GO222Y50 | 220V/60Hz | | |
| GOA222R50 | 110V/50Hz | 3TF50 | |
| GOA222T50 | 110V/60Hz | | |
| GOA222W50 | 220V/50Hz | | |
| GOA222Y50 | 220V/60Hz | | |
| GO222R52 | 110V/50Hz | 3TB52 | |
| GO222T52 | 110V/60Hz | | |
| GO222W52 | 220V/50Hz | | |
| GO222Y52 | 220V/60Hz | | |
| GOA222R52 | 110V/50Hz | 3TF52 | |
| GOA222T52 | 110V/60Hz | | |
| GOA222W52 | 220V/50Hz | | |
| GOA222Y52 | 220V/60Hz | | |
| GO222R54 | 110V/50Hz | 3TB54 | |
| GO222T54 | 110V/60Hz | | |
| GO222W54 | 220V/50Hz | | |
| GO222Y54 | 220V/60Hz | | |
| GOA222R54 | 110V/50Hz | 3TF54 | |
| GOA222T54 | 110V/60Hz | | |
| GOA222W54 | 220V/50Hz | | |
| GOA222Y54 | 220V/60Hz | | |
| GO222R56 | 110V/50Hz | 3TB56 | |
| GO222T56 | 110V/60Hz | | |
| GO222W56 | 220V/50Hz | | |
| GO222Y56 | 220V/60Hz | | |
| GOA222R56 | 110V/50Hz | 3TF56 | |
| GOA222T56 | 110V/60Hz | | |
| GOA222W56 | 220V/50Hz | | |
| GOA222Y56 | 220V/60Hz | | |



| PART NO. | USED FOR TYPE | DESCRIPTION |
|------------|---------------|----------------------|
| GO156BV44 | 3TB44 | Set of Main Contacts |
| GO156BV46 | 3TB46 | |
| GO156BV47 | 3TB47 | |
| GO156BV48 | 3TB48 | |
| GO156BV50 | 3TB50 | |
| GO156BV52 | 3TB52 | |
| GO156BV54 | 3TB54 | |
| GO156BV56 | 3TB56 | |
| GOA156BV44 | 3TF44 | |
| GOA156BV45 | 3TF45 | |
| GOA156BV46 | 3TF46 | |
| GOA156BV47 | 3TF47 | |
| GOA156BV48 | 3TF48 | |
| GOA156BV49 | 3TF49 | |
| GOA156BV50 | 3TF50 | |
| GOA156BV52 | 3TF52 | |
| GOA156BV54 | 3TF54 | |
| GOA156BV56 | 3TF56 | |



| REF. | PART NO. | RATED VOLTAGE | USED FOR TYPE | DESCRIPTION |
|------|----------------------|-----------------------------|-------------------------------------------|-------------|
| 1 | GO634B4 GAA605H1 | 48-127 VAC | 3TB46-51, 3TF46-51 | RC-Network |
| | GO634B4 GAA605H3 | | 3TB52-56, 3TF52-56 | |
| | GO634B7 GAA605H2 | 127-240 VAC | 3TB46-51, 3TF46-51 | |
| | GO634B8 GAA605H4 | | 3TB52-56, 3TF52-56 | |
| 2 | GO634B2 | 48-127 VAC | 3TH3/4/8, 3TF30-35, 3TB40-44, 3TF40-45 | |
| | GO634B5 | 127-240 VAC | | |
| | GO634B6 | 24-48 VAC | | |
| 3 | GAA605H6 | 48-127 VAC, 70-150 VDC | 3TH3/4/8, 3TF30-35, 3TB40-43, 3TF40-45 | |
| | GAA605H7 | 127-240 VAC, 150-250 VDC | | |
| | GAA605H5 | 24-48 VAC, 24-70 VDC | | |
| 4 | GO634Y1 GAA605H9 | 48-127 VAC | 3TH2, 3TF2 | |
| | GO634Y2 GAA605H10 | 127-240 VAC | | |
| | GO634Y3 GAA605H8 | 24-48 VAC | | |



| REF. | PART NO. | RATED VOLTAGE | USED FOR TYPE | DESCRIPTION |
|------|----------|-----------------------------|-------------------------------------------|-------------|
| 1 | GO612AE1 | 12-250 VDC | 3TH2, 3TF2 | Diode |
| | GO604A1 | 48-127 VAC, 70-150 VDC | | Varistor |
| | GO604A2 | 127-240 VAC, 150-250 VDC | | |
| | GO604A3 | 24-48 VAC, 24-70 VDC | | |
| 2 | GAA605D1 | 24-48 VAC, 24-70 VDC | 3TH3/4/8, 3TF30-35, 3TB40-43, 3TF40-45 | Diode |
| | GO612P1 | 24-250 VDC | | |

| Old Main Switches 3TB / 3TF.. with 4 Auxiliary Contacts (2NO & 2NC) Used for MCS Controllers with Screw Terminals | | | New Main Switches 3RT.. with 4 Auxiliary Contacts (2NO & 2NC) Used for MCS Controllers with Cage Clamps | | | |
|----------------------------------------------------------------------------------------------------------------------------------|--------------------------------|--------------|---------------------------------------------------------------------------------------------------------------------|-------------|------------------------|------------------|
| | RATED POWER AT 380/400 V | COIL 110V | MCS 120 (M) | MCS 220 (M) | | |
| | | | | 1/2-SPEED | 2-SPEED 400 V/15 kW | OVF SW1 / SW2 |
| PART NO. | kW | Hz | PART NO. | PART NO. | PART NO. | PART NO. |
| GAA638E1 | 4.0 | 50 | | GAA638BE1 | --- | GAA638BM1 |
| GAA638E2 | | 60 | | GAA638BE2 | | GAA638BM2 |
| GAA638G1 | 5.5 | 50 | GAA638BE1 | GAA638BE1 | | --- |
| GAA638G2 | | 60 | GAA638BE2 | GAA638BE2 | | --- |
| GAA638H1 | 7.5 | 50 | GAA638BM1 | GAA638BM1 | | GAA638BN1 |
| GAA638H2 | | 60 | GAA638BM2 | GAA638BM2 | | GAA638BN2 |
| GAA638K1 | 11.0 | 50 | GAA638BN1 | GAA638BN1 | | --- |
| GAA638K2 | | 60 | GAA638BN2 | GAA638BN2 | | --- |
| GAA638M1 | 15.0 | 50 | GAA638CB4 | GAA638CB4 | | GAA638CB4 |
| GAA638M2 | | 60 | GAA638CB5 | GAA638CB5 | | GAA638CB5 |
| GAA638AA1 | 18.5 | 50 | GAA638DL1 | GAA638DL1 | --- | |
| GAA638P3 | 22.0 | 50 | GAA638DN4 | GAA638CD4 | | |
| GOA613AT221 | | | | | | |
| GOA613AT222 | 60 | GAA638DN5 | GAA638CD5 | | | |
| GOA613BL221 | 30.0 | 50 | GAA638DN4 | GAA638CD4 | | AAA638DN4 |
| GOA613BL222 | | 60 | GAA638DN5 | GAA638CD5 | | GAA638DN5 |
| GOA613AV221 | 37.0 | 50 | GAA638DP4 | --- | | --- |
| GOA613AV222 | | 60 | GAA638DP5 | | | |
| GOA613AW221 | 55.0 | 50 | GAA638DR4 | | | |
| GOA613AW222 | | 60 | GAA638DR5 | | | |

| | | |
|------------------------------------------------|-----------|------------|
| CONTROLLER PART MAIN SWITCH & RELAY SIEMENS | 10 | GO613AD-AW |
| | APR. 2003 | PAGE: 29 |

| Old Main Switches 3TB / 3TF.. with 4 Auxiliary Contacts (2NO & 2NC) Used for MCS Controllers with Tab Connectors | | | New Main Switches 3RT.. with 4 Auxiliary Contacts (2NO & 2NC) Used for MCS Controllers with Cage Clamps | | | | |
|---------------------------------------------------------------------------------------------------------------------------------|-----------------------------------|--------------|---------------------------------------------------------------------------------------------------------------------|---------------|----------------------------|---------------------|-----------------------------|
| PART NO. | RATED POWER AT 380/400 V | COIL 110V | MCS 120 (M) | MCS 220 (M) | | | MCS 321 (M) SW1 / SW2 |
| | | | | 1/2- SPEED | 2-SPEED 400 V/ 15 kW | OVF SW1 / SW2 | |
| PART NO. | kW | Hz | PART NO. | | | | |
| GAA638S1 | 4.0 | 50 | --- | GAA638BE1 | | GAA638BM1 | --- |
| GAA638S2 | | 60 | --- | GAA638BE2 | | GAA638BM2 | |
| GAA638T1 | 5.5 | 50 | GAA638BE1 | GAA638BE1 | | | |
| GAA638T2 | | 60 | GAA638BE2 | GAA638BE2 | | | |
| GAA638V1 | 7.5 | 50 | GAA638BM1 | GAA638BM1 | | GAA638BN1 | |
| GAA638V2 | | 60 | GAA638BM2 | GAA638BM2 | | GAA638BN2 | |
| GAA638W1 | 11.0 | 50 | GAA638BN1 | GAA638BN1 | | | |
| GAA638W2 | | 60 | GAA638BN2 | GAA638BN2 | | | |
| GAA638X1 | 15.0 | 50 | GAA638CB4 | GAAR38CB4 | | GAA638CB4 | |
| GAA638X2 | | 60 | GAA638CB5 | GAA638CB5 | | GAA638CB5 | |
| GAA638Y1 | 18.5 | 50 | GAA638DL1 | GAA638DL1 | | | |
| GAA638Y2 | | 60 | GAA638DL2 | GAA638DL2 | | | |
| GAA638Z1 | 22.0 | 50 | GAA638DN4 | GAA638CD4 | | | |
| GAA638Z2 | | 60 | GAA638DN5 | GAA638CD5 | | | |
| GAA638AB1 | 30.0 | 50 | GAA638DN4 | GAA638CD4 | GAA638DN4 | | |
| GAA638AB2 | | 60 | GAA638DN5 | GAA638CD5 | GAA638DN5 | | |
| GAA638AF1 | 37.0 | 50 | GAA638DP4 | | | | |
| GAA638AF2 | | 60 | GAA638DP5 | | | | |
| GAA638AC1 | 55.0 | 50 | GAA638DR4 | | | | |
| GAA638AC2 | | 60 | GAA638DR5 | | | | |
| MAIN SWITCHES WITH AN ADDITIONAL CONTACT BLOCK FOR USE IN ELECTRONIC CIRCUITS | | | | | | | |
| GAA638BR1 | 15.0 | 50 | --- | --- | --- | --- | GAA638EA1 |
| GAA638BS1 | | 60 | | | | | GAA638EA2 |
| GAA638BR3 | 30.0 | 50 | | | | | GAA638DZ1 |
| GAA638BS3 | | 60 | | | | | GAA638DZ2 |