

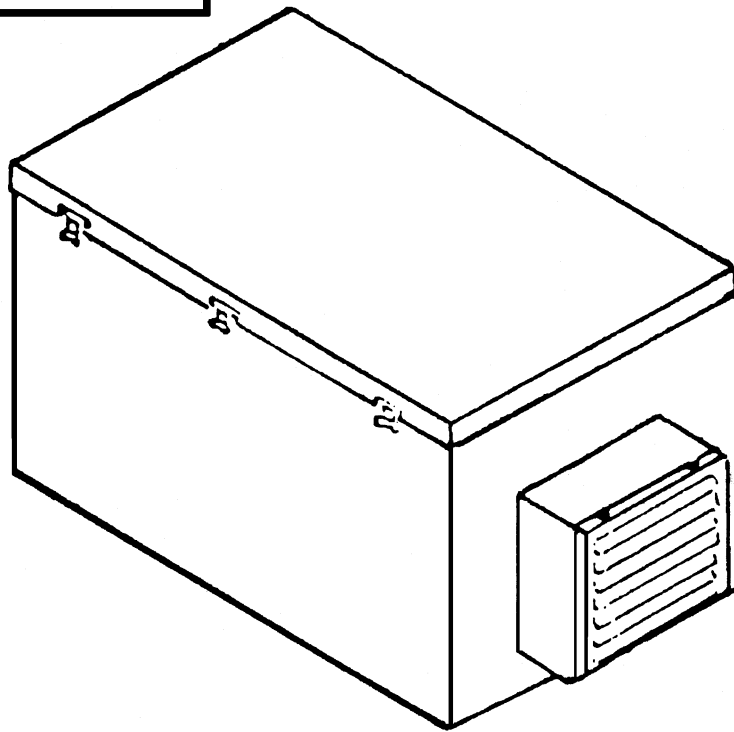
**Elevonic® 101 Cab
Control**

**Spare Parts Leaflet
10-HT201700-1**

February 28, 2002 / Page 1 of 7

Supersedes SPL 10-HT201700-2 Dated Sept. 1995

**W/O
VINTAGE**



Unpublished Work—© Otis Elevator Co.; 2002

OTIS

Safety First!

**SERVICE ENGINEERING
Otis Elevator Company
Bloomfield, Connecticut USA**

Leaflet Description

This SPL lists the LRUs for the Eleevonic® 101 Cab Controller.

The initial SPL was prepared under the superseded C-Leaflet identification system as C-3007. The first revision to the SPL changed its identification to 10-HT201700-2. As there is no engineering drawing for HT201700-2, the SPL identification was in error.

Leaflet Revisions

Date Revised	Subject Matter Expert	Reason for Revision
May 1982	Jeff Costley	New SPL (under I.D.: C-3007)
September 1995	- - -	- - -
February 28, 2002	Val Minnes	Update part number for disposable filter. Correct SPL identification.

Related Drawings

Drawing No.	Title	Drawing No.	Title
HT201700-1	Cab Control Assembly, Baseline		

Related Documents

Document ID	Title
---	---

Subject Matter Expert

Name	Department
Val Minnes	OSC Service Engineering

About Spare Parts Leaflets...

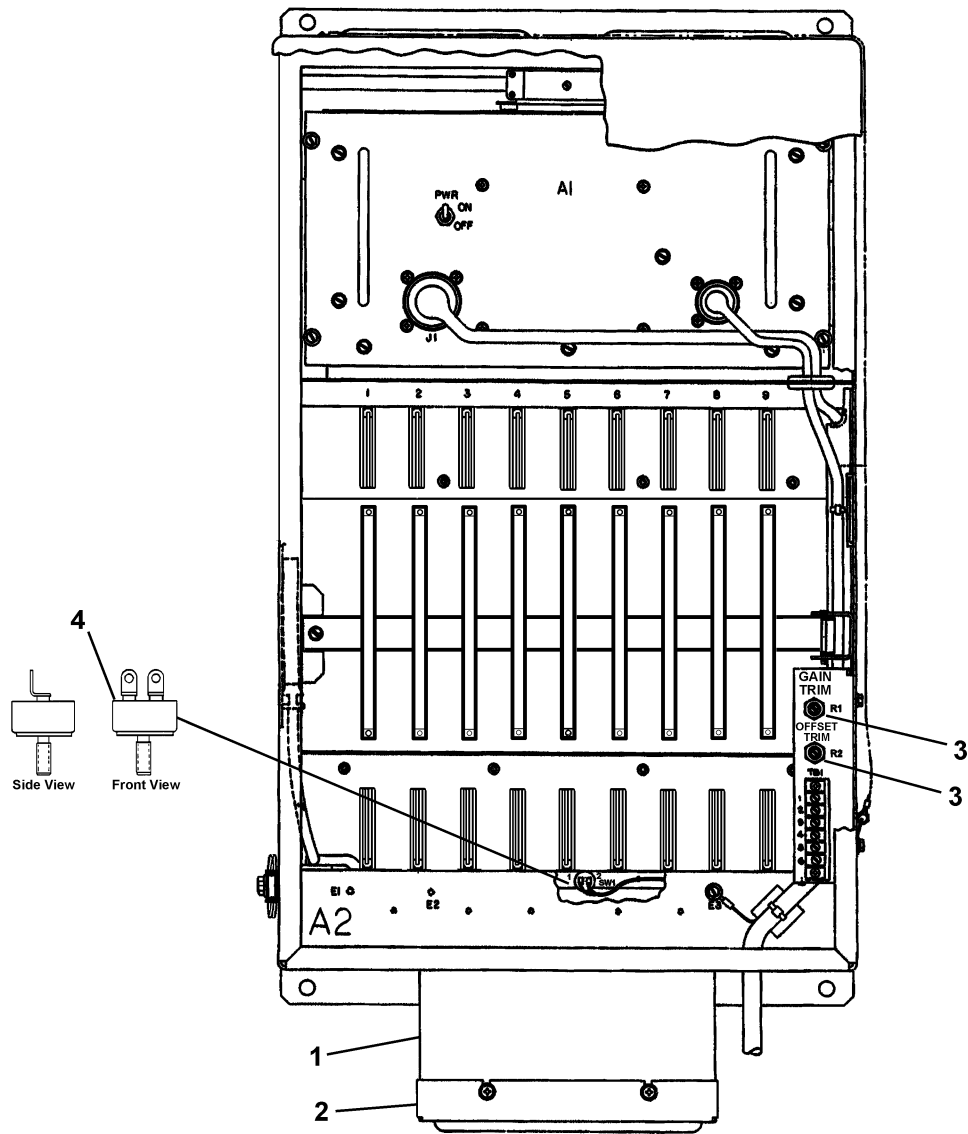
This document lists the lowest replaceable units (LRUs) for the standard version of the product. The LRUs are chosen by a team of Otis associates representing engineering and manufacturing.

While goal of this document is to make parts identification as easy as possible, the document cannot be all-inclusive. Elevator and escalator contracts classified as "special" or "custom" are not addressed here. For such contracts, please refer to specified information, the contract folder, TIPs, Field Education Articles, Construction Letters, etc. for further information.

If you have any suggestions about this document, please contact the subject matter expert listed on this page.

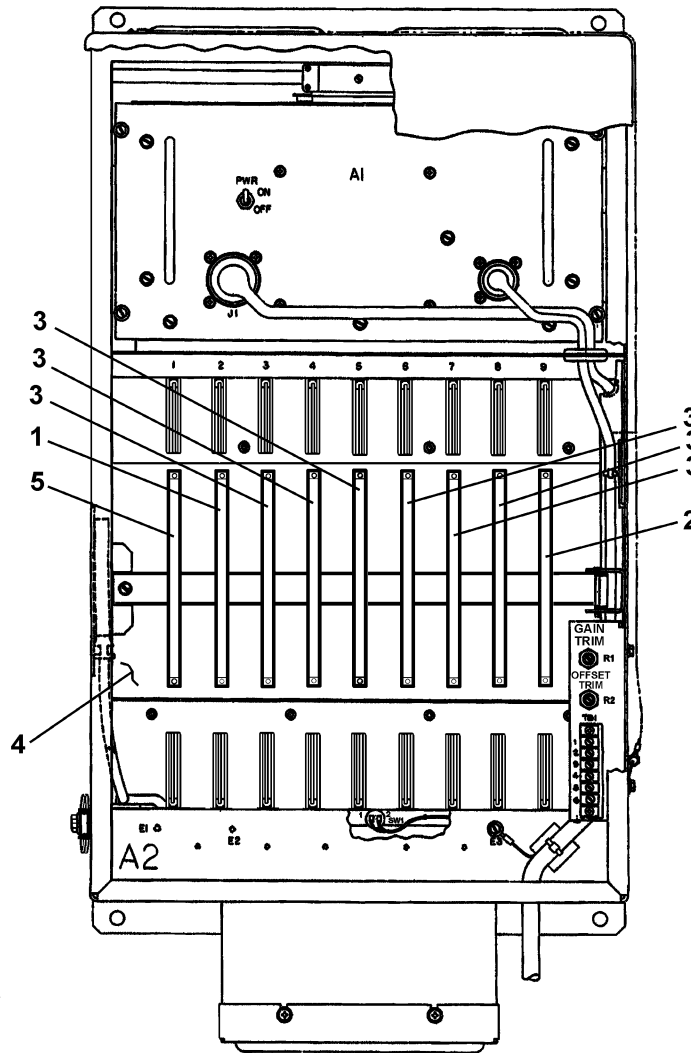
Cab Controller Parts

10-HT201700-1



REF. No.	W/O VINTAGE PART No.	DESCRIPTION
1	1RB65	Fan
2*	VP-772951	Filter, Disposable
3	7386R10KL-25SL	Resistor, Variable, (R1, R2)
4	HT201191-1	Switch, Thermal (115° F Setting)

* Part not shown. Filter located behind the fan cover.



W/O VINTAGE		
REF. No.	PART No.	DESCRIPTION
---	616BS1	EPROM (for Processor Board)
1	HT201729-2	PC Board, CAB I/O, (for front and rear door systems)
	HT201731-2	PC Board, CAB I/O, (for one door systems)
2	HT201735-1	PC Board, Bus Terminator
3	HT201723-2	PC Board, General Purpose I/O, Full
	HT201724-1	PC Board, General Purpose I/O, Half (use full general purpose I/O PC board)
4**	HT201726-1	PC Board, Interconnect
5	HT204349-3	PC Board, Processor

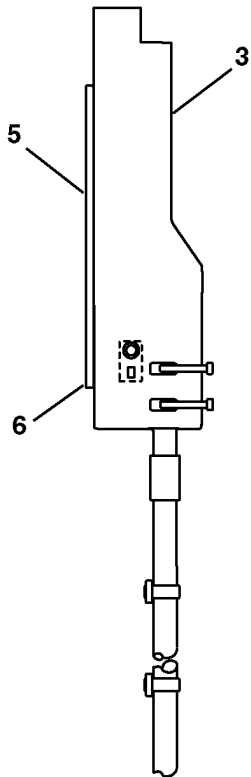
* Part not shown

** Part not shown. General location. Part mounted on back panel.

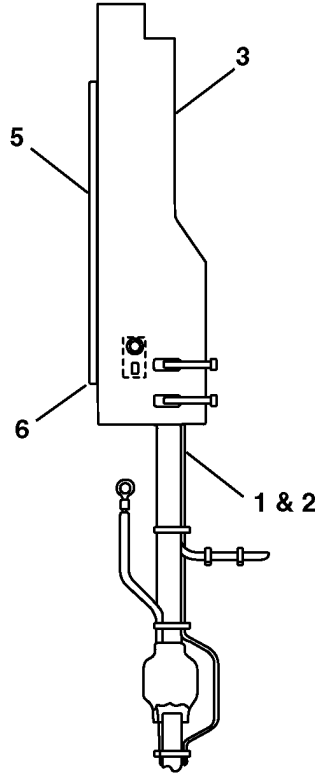
Cable Parts

10-HT201700-1

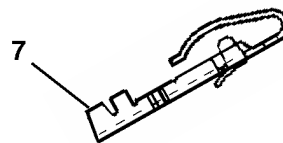
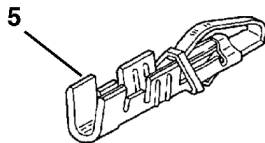
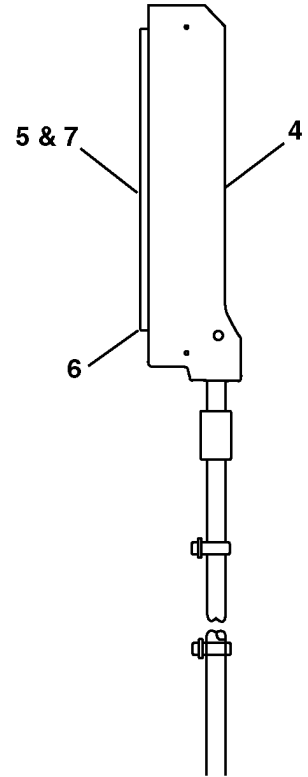
Cable & Connector Assm. General Purpose I/O PC Board (Full)



Cable & Connector Assm. Cab I/O PC Board (1 or 2 Door)



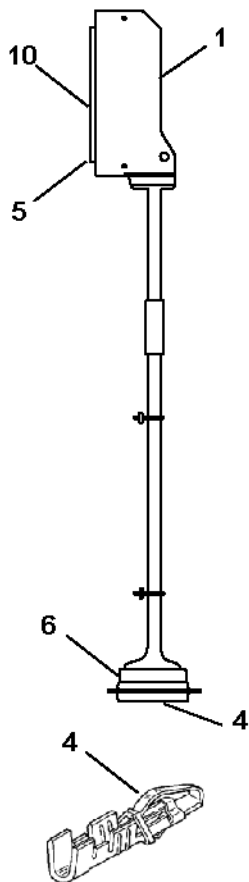
Cable & Connector Assm. General Purpose I/O PC Board (Half)



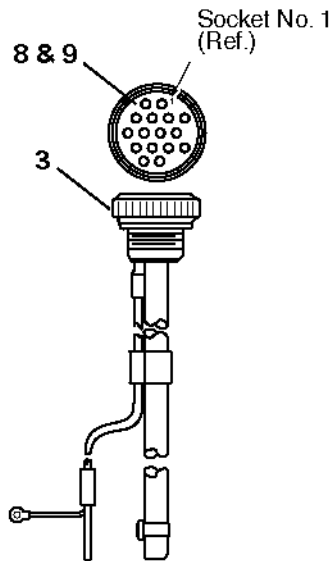
W/O VINTAGE		
REF. No.	PART No.	DESCRIPTION
1	HT8762	Cable
2	HT9879	Cable, Twisted Shielded Pair
3	HT202028-1	Connector, Hood
4	HT1-530088-6	Connector, Hood, Strain Relief, 36 Dual Positions
5	HT583361-3	Contact, Gold Plated, 22-18 AWG
6*	HT583552-1	Housing, 36 Dual Positions
7	HT66084-3	Terminal

* General location, part not shown
(Continued on Next Page)

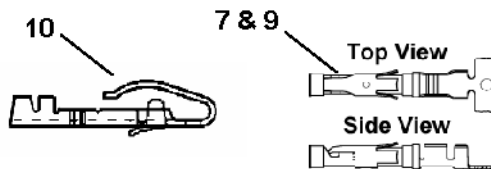
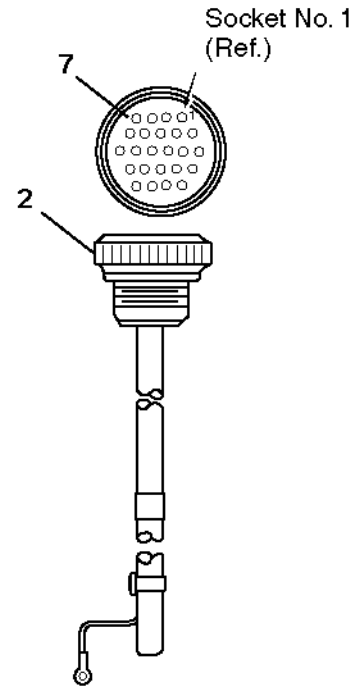
**Cable, Processor
PC Board**



**Cable, Power
Supply, A1 (J2)**



**Cable, Power
Supply, A1 (J1)**

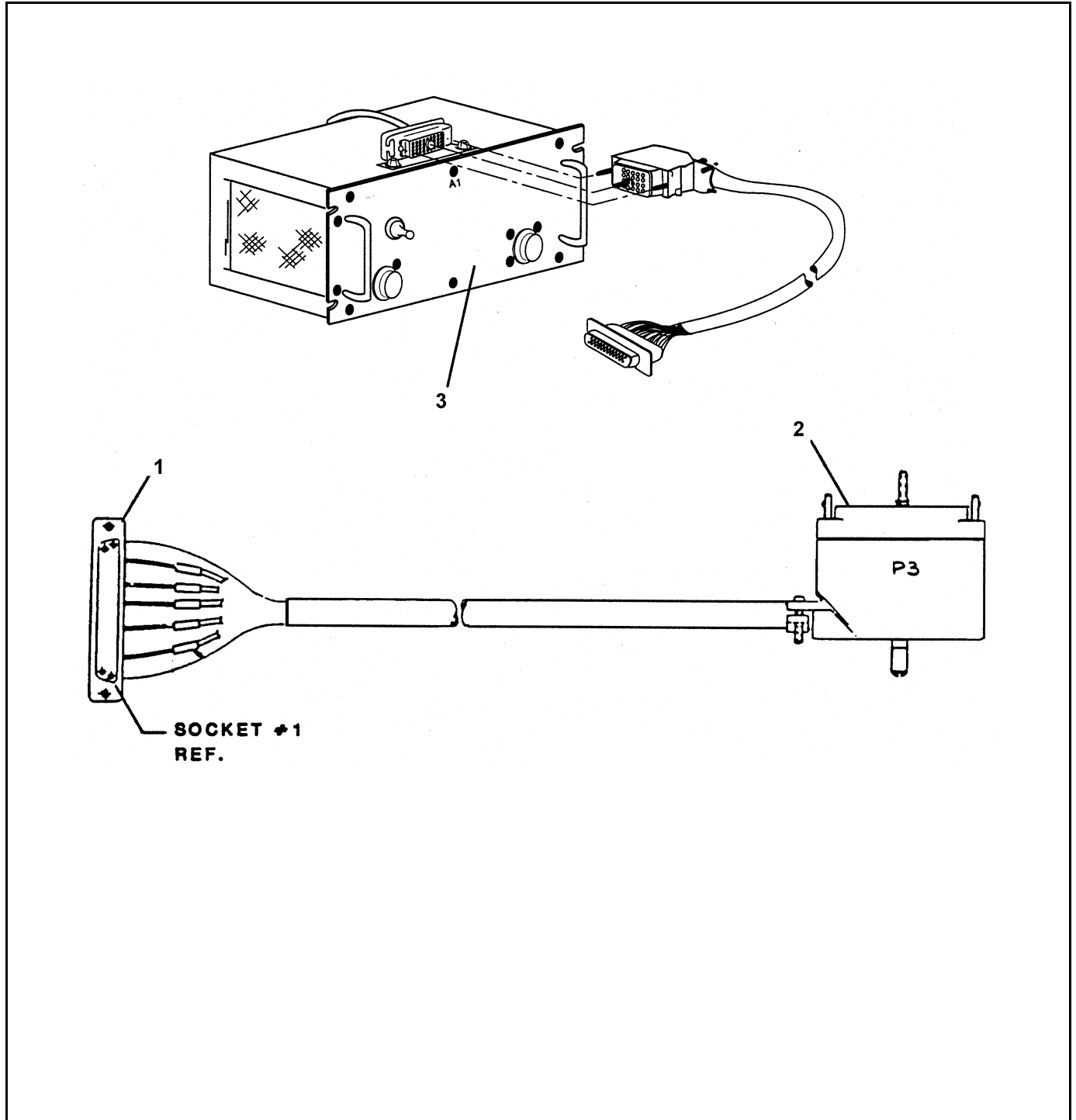


W/O VINTAGE

REF. No.	PART No.	DESCRIPTION
1	HT1-530088-3	Connector, Hood, 18 Dual Positions
2	HT206837	Connector, Plug, 24 Positions
3	HT206037	Connector, Plug, 16 Positions
4	HT583361-3	Contact, Gold Plated, 22-18 AWG
5	HT583725	Housing, 18 Dual Positions
6	HT205207	Receptacle
7	HT66100-6	Socket Assembly
8	HT66104-6	Socket Assembly
9	HT66358-5	Socket Assembly
10	HT66084-3	Terminal, Dummy

Power Supply (A1)

10-HT201700-1



W/O VINTAGE		
REF. No.	PART No.	DESCRIPTION
1	HT205209	Connector, Receptacle, Size, 37 Positions
2	60-8017-03-13	Contacts
3	HT201781-1	Power Supply (A1)