

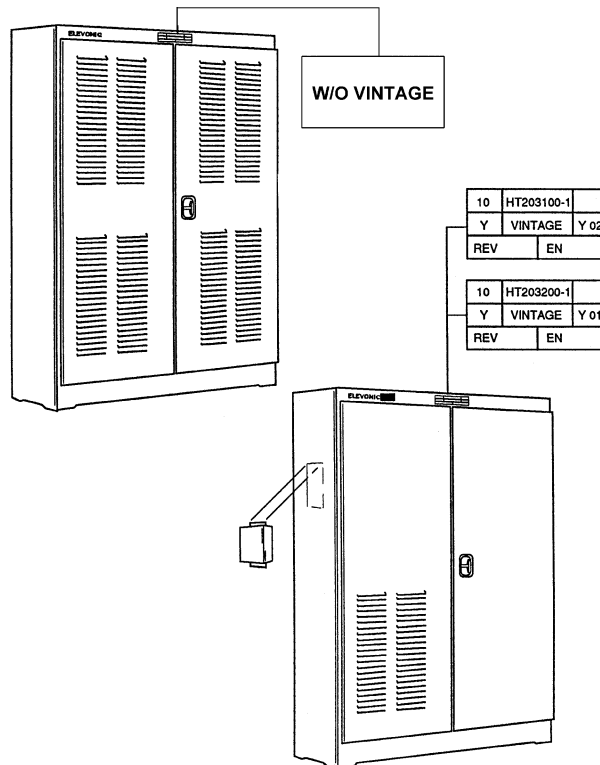
**Elevonic® 401
Car Controller
Ward Leonard
Direct Drive**

**Spare Parts Leaflet
10-HT203100-1**

September 21, 2022 / Page 1 of 40

OBSOLESCENCE NOTICE

The product covered in this SPL has been designated as obsolete and is no longer supported. See TIP 32.2-1, *Obsolete Components*, for potential upgrade. Replacement lower-level parts listed within and unique to this design will be reviewed for obsolescence.



This document does not contain any technical data subject to EAR or ITAR

**SERVICE ENGINEERING
Otis Elevator Company
Bloomfield, Connecticut USA**

Unpublished Work—© Otis Elevator Co.; 2022

Leaflet Description

This leaflet details parts used in E401 car controller Ward-Leonard and direct drives.

Leaflet Revisions

Date Revised	Subject Matter Expert	Reason for Revision
November 1985	Jeff Costley (Technical Writer)	New SPL
June 12, 2006	Ali Bozorgzadeh	Updated parts and illustrations.
September 1, 2009	Matt Fournier	Corrected description of MTC6TR.
March 16, 2011	Matt Fournier	p. 29 add substitute part AAA613DL17
January 4, 2012	Matt Fournier	Substituted AAA613DL17 for P613AP6 on p. 29.
September 21, 2022	Juan Murillo	Updated to include OBSOLESCENCE note on cover

Related Drawings

Drawing No.	Title	Drawing No.	Title
HT203100-1	E401 Car Controller	---	---

Related Documents

Document ID	Title
SPL C-1024	Type 7014A Push Pull Switch
SPL C-1067	Magnet Switch E6754
SPL 10-6754	Type 6754 Magnet Switches
SPL C-922 SPL 10-A6164BP	Type 6164 Magnet Switches
TIP 1.1.3.4.0-6	Merging E401/101 Controller Baseline Software and Contract Data in 32K EPROMs and Moving into 256K EPROMs
TIP 1.1.3.4.0-7	Move Contract Data from 32K EPROM/(s) into E101/401 Baseline Control Software in 256K EPROM
TIP 1.1.3.4.0-8	Merging E401/101 Controller Baseline Software and Contract Data in 16K EPROMs and Moving into 256K EPROMs
TIP 1.2.0-38	P613AP6, 7, and 9 Aromat Relay Replacements

Subject Matter Expert

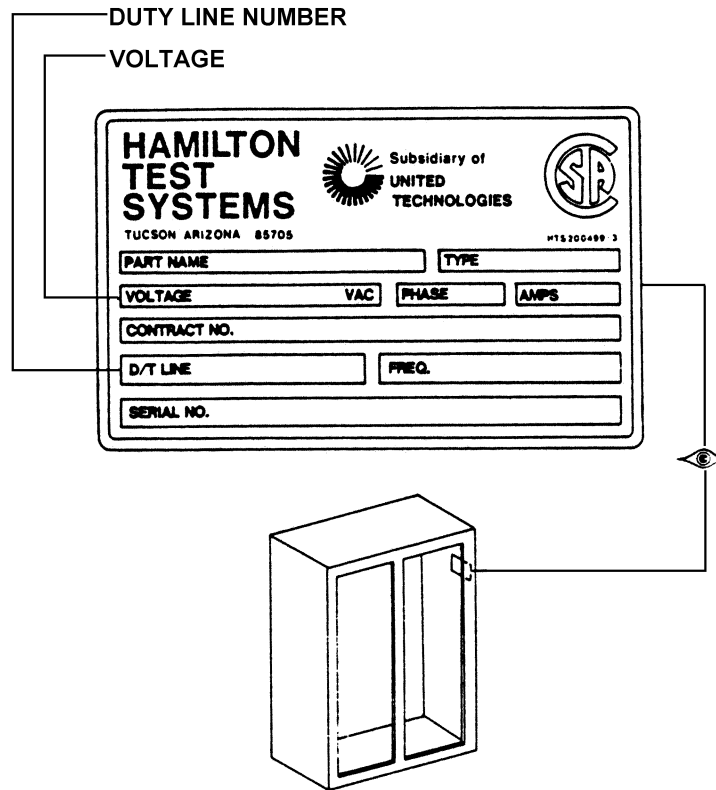
Name	Department
Matt Fournier	OSC Service Engineering

About Spare Parts Leaflets...

This document lists the lowest replaceable units (LRUs) for the standard version of the product. The LRUs are chosen by a team of Otis associates representing engineering and manufacturing.

While goal of this document is to make parts identification as easy as possible, the document cannot be all-inclusive. Elevator and escalator contracts classified as "special" or "custom" are not addressed here. For such contracts, please refer to specified information, the contract folder, TIPS, Field Education Articles, Construction Letters, etc. for further information.

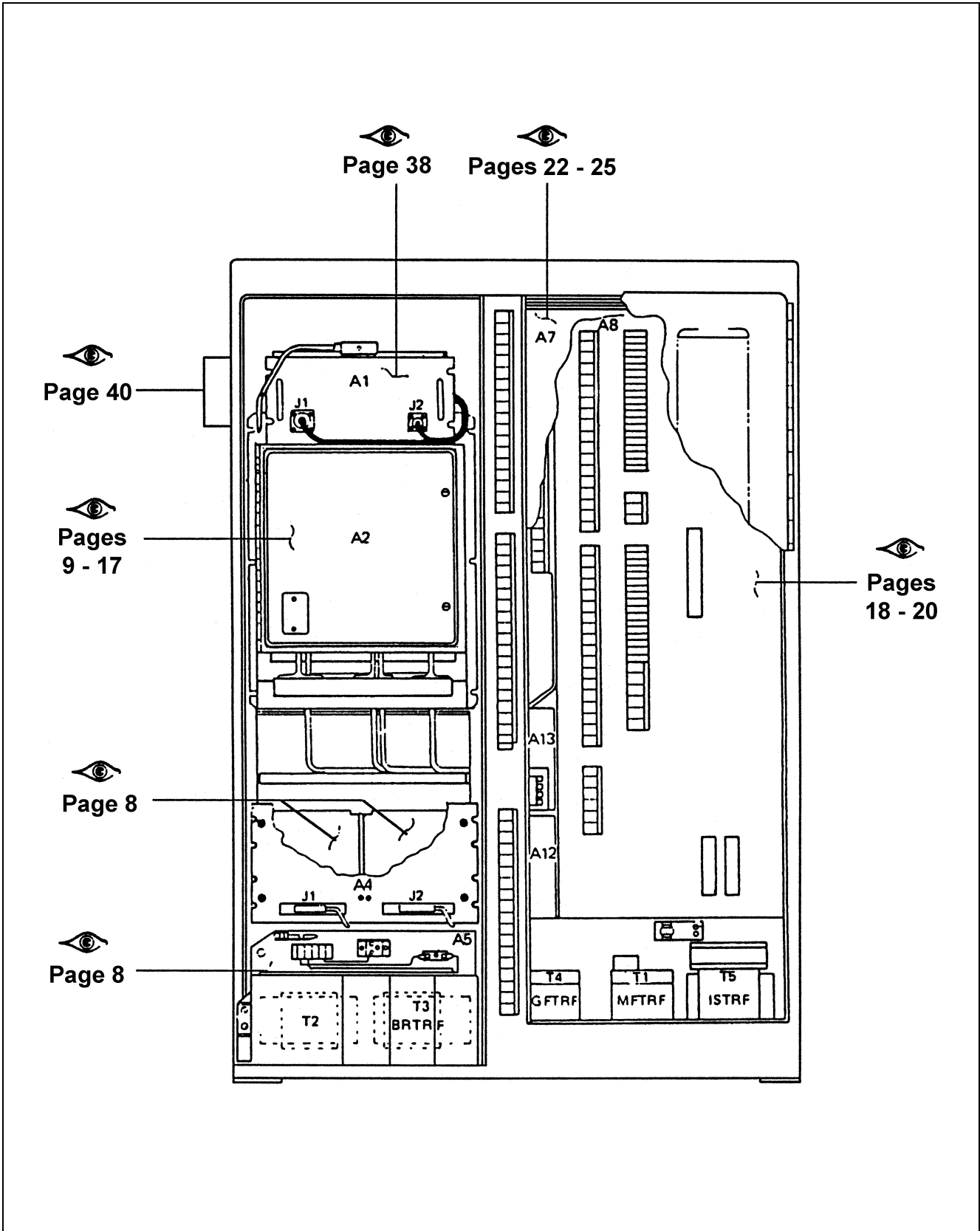
If you have any suggestions about this document, please contact the subject matter expert listed on this page.



WITHIN THIS DOCUMENT PARTS ARE SPECIFIED TO MEET YOUR INSTALLATION'S INDIVIDUAL REQUIREMENTS. TO CORRECTLY DEFINE A PART NUMBER, REFER TO THE DUTY NUMBER INDICATED ON YOUR UNIT'S NAMEPLATE AS ILLUSTRATED ABOVE.

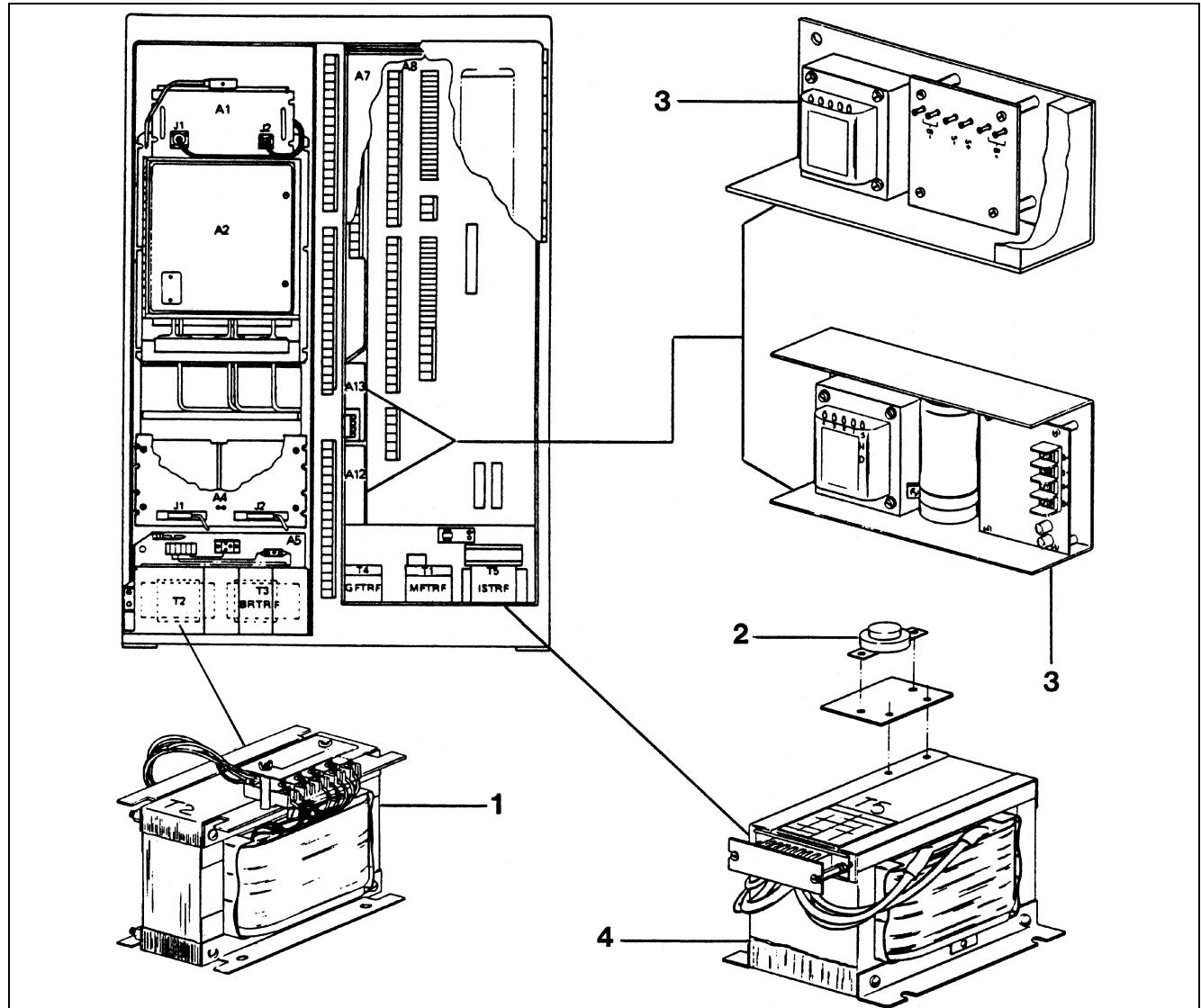
DENTRO DE ESTE DOCUMENTO PARTES HAN SIDO ESPECÍFICADAS PARA SATISFACER LOS REQUISITOS DE SUS INSTALACIONES INDIVIDUALES' PARA CORRECTAMENTE DEFINIR EL NUMERO DE UNA PARTE' REFIERASE A EL NUMERO DEL "DUTY" DE LA MAQUINA INDICADO EN LA PLANCHA DE IDENTIFICACIÓN DE SU UNIDAD COMO ILUSTRADO ARRIBA.

LES PIÈCES RÉFÉRENCÉES DANS CE DOCUMENT SONT SPÉCIFIQUE À L'INSTALLATION SUR LAQUELLE ELLES DOIVENT ÊTRE INSTALLÉES. POUR DÉFINIR CORRECTEMENT UN NUMERO DE PIÈCE, SE RÉFÉRER AU "DUTY NUMBER" QUI EST INDIQUÉ SUR LA PLAQUE D'IDENTIFICATION DE L'INSTALLATION, COMME CECI EST INDIQUÉ CI DESSUS.

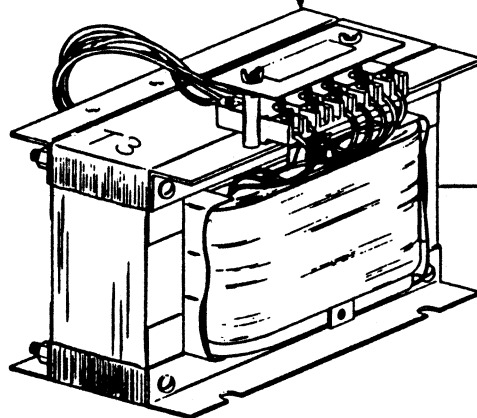
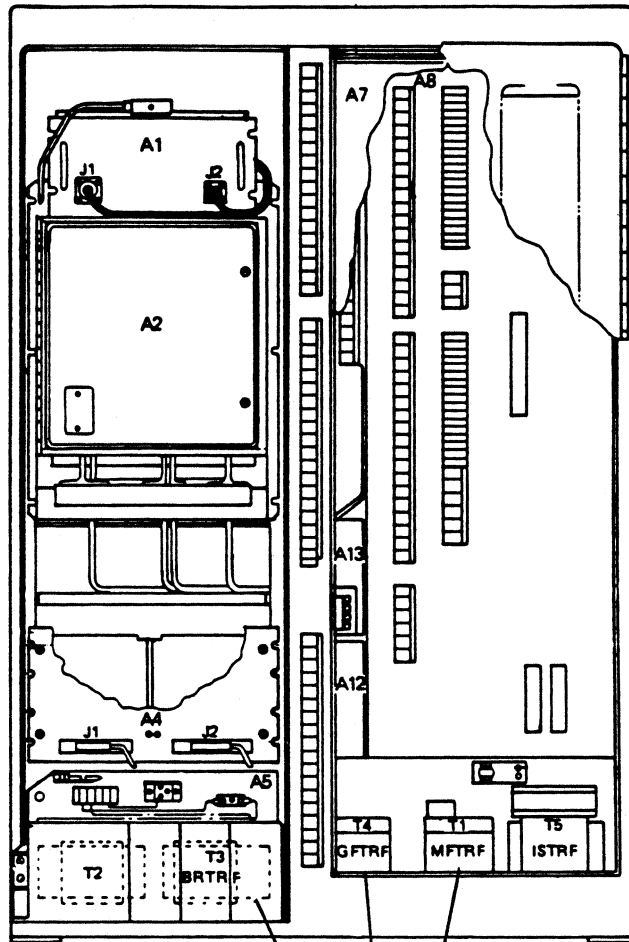


Transformers

10-HT203100-1



	W/O VINTAGE	VINTAGE Y 01	
REF. No.	PART OR M.L.		DESCRIPTION
1	HT203108-1		Transformer, Main Power, T2
2	HT2E4735/04-0009		Varistor
3	POWCP429 HT203867-1		Power Supply
4	HT203134-1		Isolation Transformer, T5, Voltage: 200/208/220/230/240
	HT203136-1		Isolation Transformer, T5, Voltage: 346/380
	HT203137-1		Isolation Transformer, T5, Voltage: 400/416/440/460/480
	HT203138-1		Isolation Transformer, T5, Voltage: 550/575/600

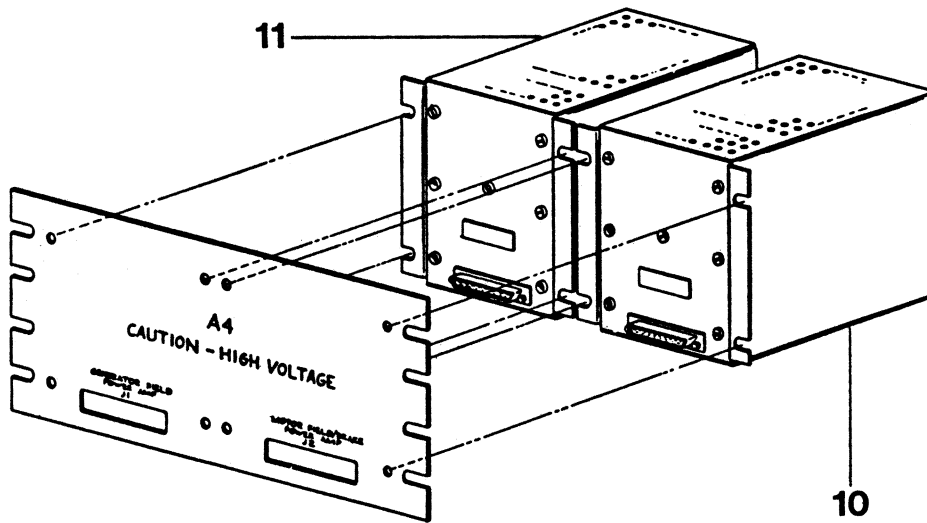
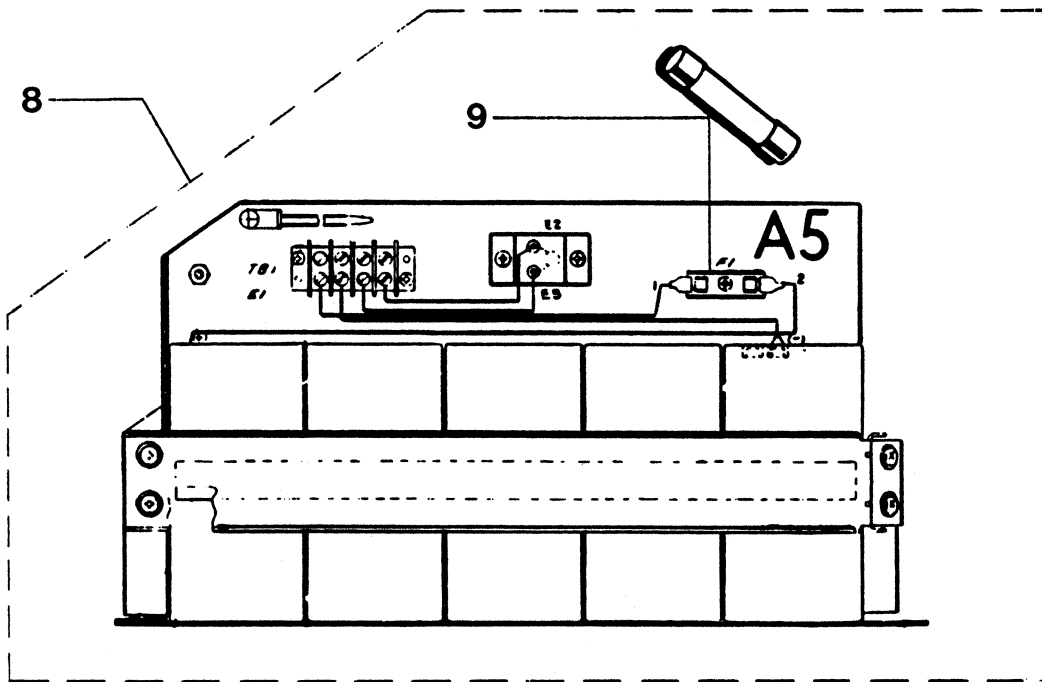


5, 6, 7

Transformers

10-HT203100-1

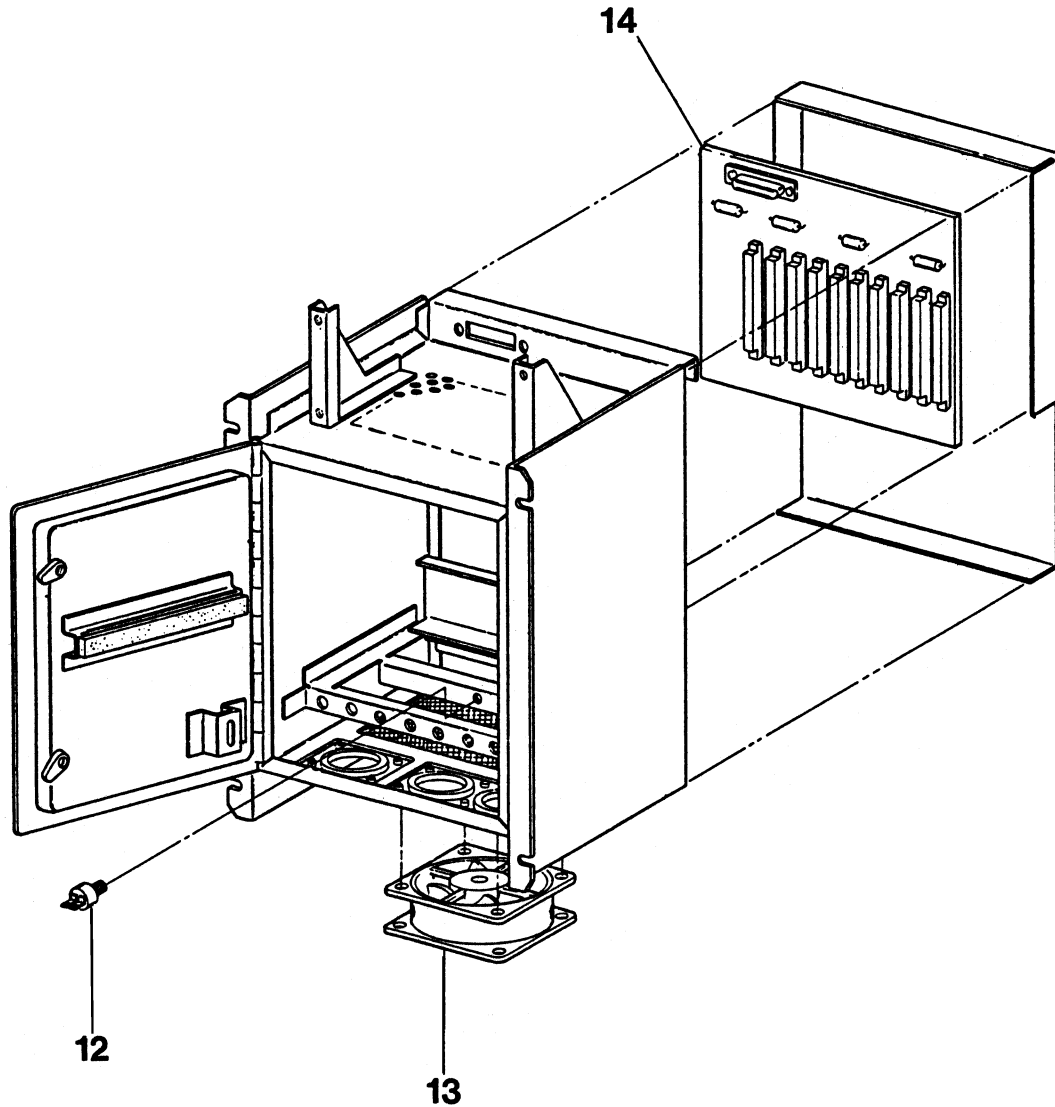
		W/O VINTAGE & VINTAGE Y 01					
REF. No.	PART No.	DUTY LINE					DESCRIPTION
5	HT201347-2	1	2	4	5	6	Transformer, Motor Field, T1 (MFTRF)
		8	9	10	15	16	
		17	18B	22	23	24A	
		29	30	30A			
	HT201348-2	3	3A	7	7A	10A	
		11	11A	12	13	14	
		15A	17A	18	18A	19	
		20	21	22A	23A	24	
		25	26	27	28	31	
		32	33	34	35	36	
		37	38	39	40	41	
		42					
	6	HT201345-2	1	2	3A	4	
6			7A	8	9	10	
10A			11A	15	15A	16	
17			17A	18A	18B	22	
22A			23	23A	24A	29	
30			30A				
HT201346-2		3	7	11	12	13	
		14	18	19	20	21	
		24	25	26	27	28	
		31	32	33	34	35	
		36	37	38	39	40	
		41	42				
7	HT201346-2	1	2	3	3A	4	Transformer, Generator, T4 (GFTRF) (Ward-Leonard drive only)
		5	6	7	7A	8	
		9	10	10A	11	11A	
		12	15	15A	16	17	
		17A	18	18A	18B	19	
		22	22A	23	23A	24	
		24A	29	30	30A	31	
		32	33	38			
	HT201347-2	13	14	20	21	25	
		26	27	28	34	35	
		36	37	39	40	41	
		42					



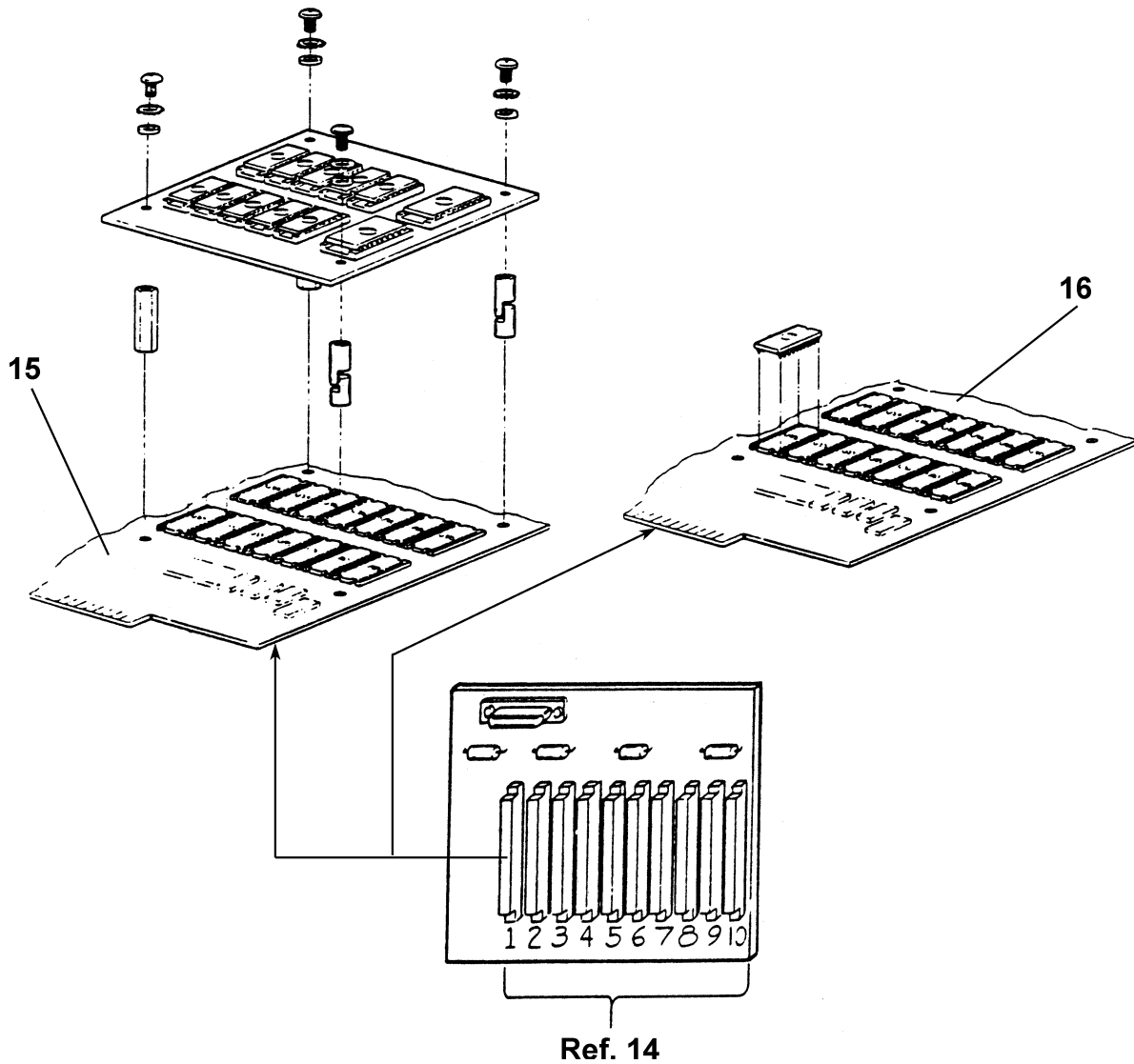
REF. No.	PART OR M.L.		DESCRIPTION
	W/O VINTAGE	VINTAGE Y 01	
8	HT201369-1	---	Battery Assembly
9	HT590455-11	---	Fuse, 12 A, 65 V
10	HT201847-4	HT204411-1	Power Amplifier, Motor Field/Brake
11	HT201848-4	HT204412-1	Power Amplifier, Generator Field

Cardfile Assembly A2

10-HT203100-1



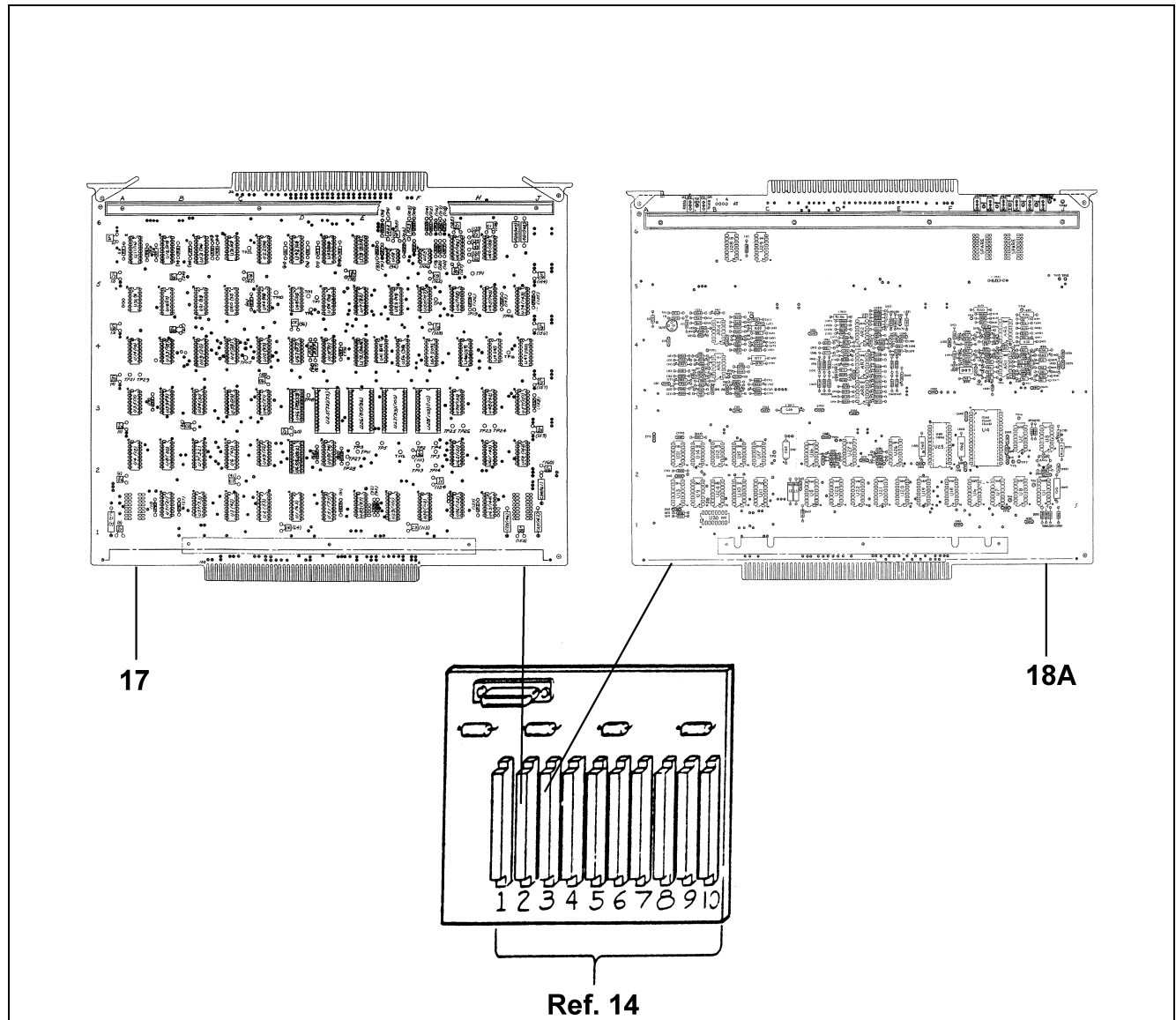
	W/O VINTAGE	VINTAGE Y 01	
REF. No.	PART OR M.L.		DESCRIPTION
12	HT201191-1		Temperature Sensor, 115°
13	HT202326-4	HT201102-1	Fan
14	HT201727-1		Interconnect Board



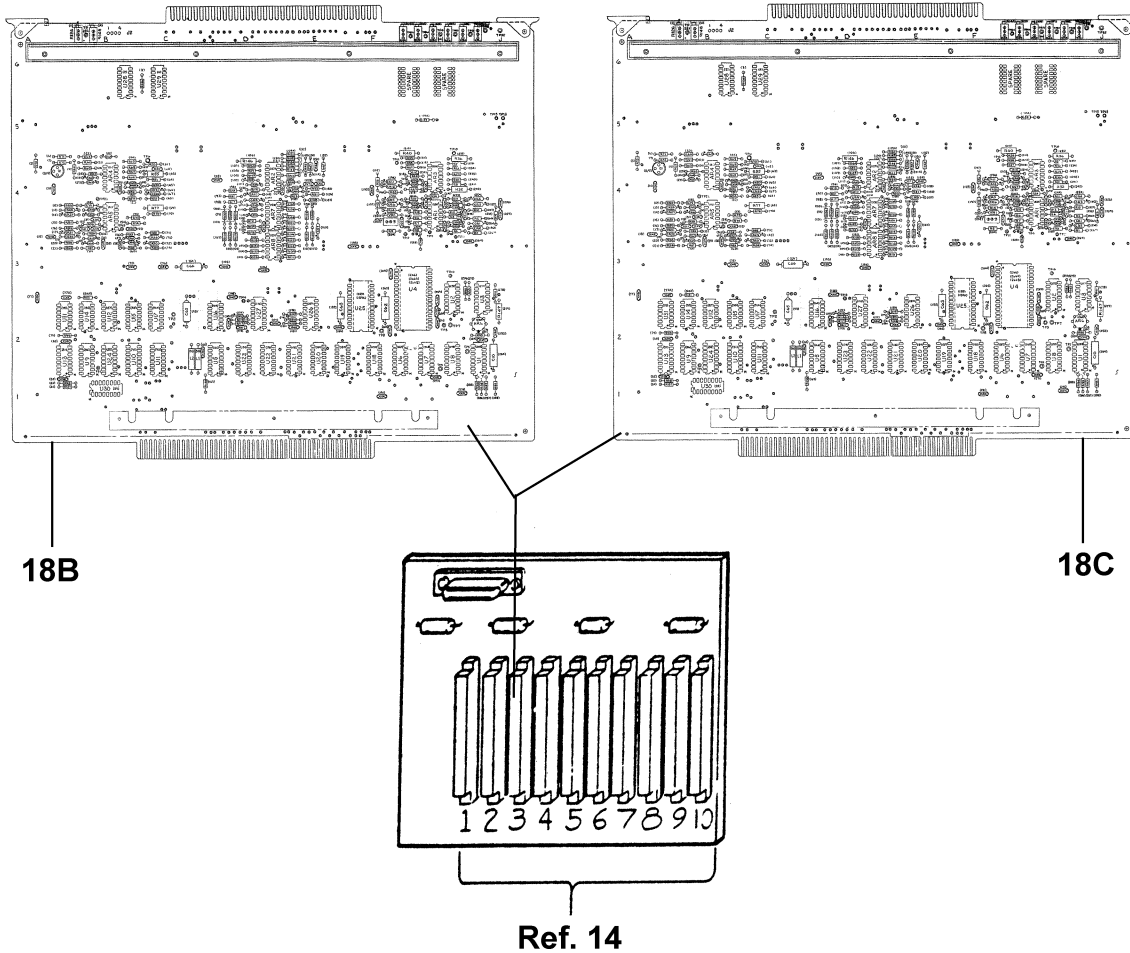
W/O VINTAGE & VINTAGE Y 01		
REF. No.	PART OR M.L.	DESCRIPTION
15	HT201788-1	Processor PCB, w/Ward-Leonard and Direct Drive, Location 1
16	HT204349-1 HT204349-5	Processor PCB, w/Ward-Leonard and Direct Drive, Location 1

Transducer & Power Amplifier I/O Boards

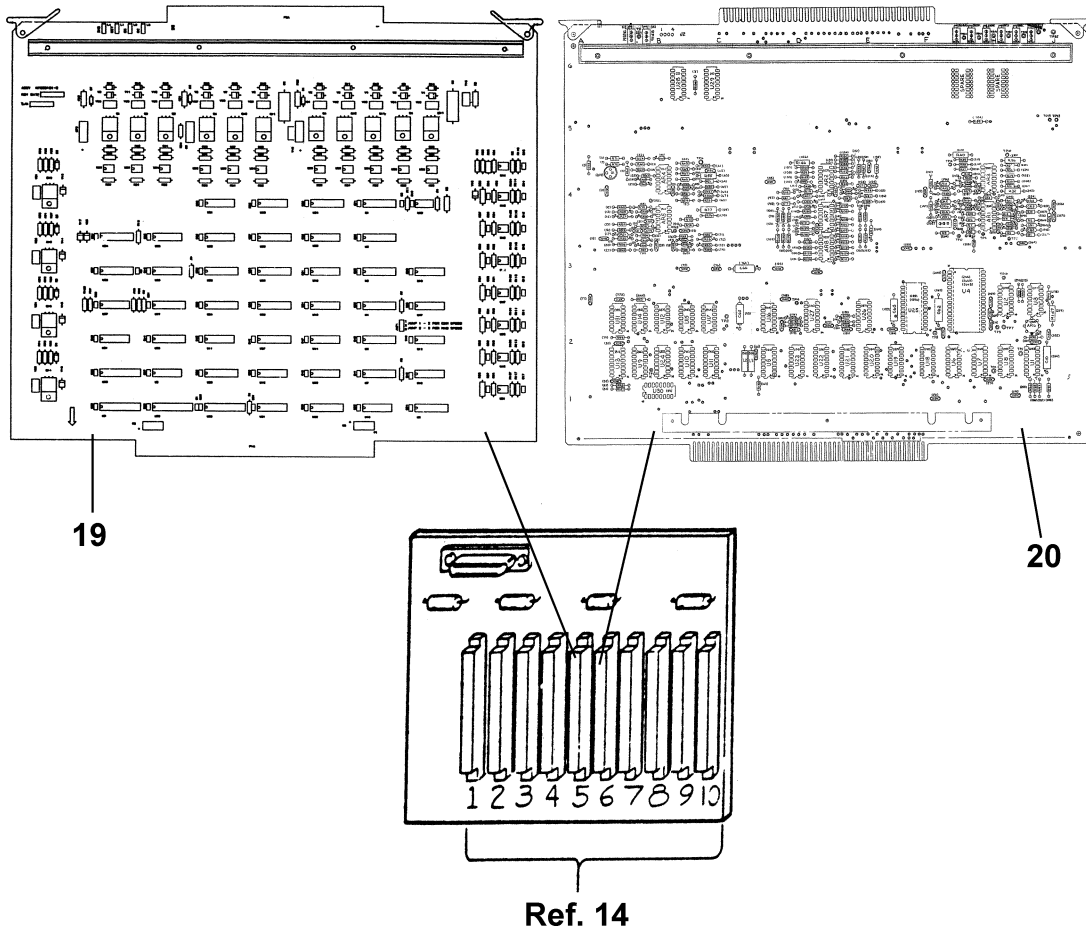
10-HT203100-1



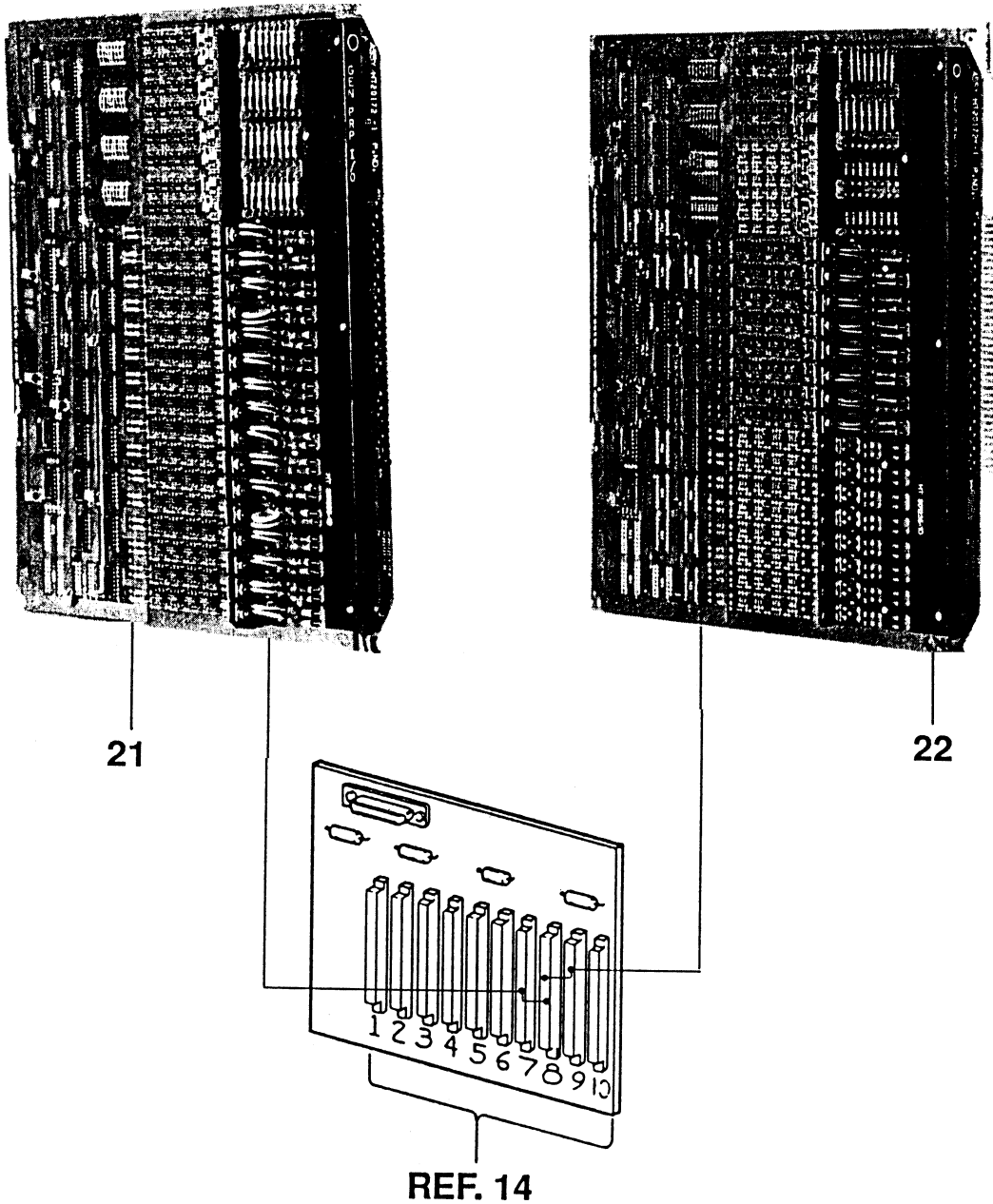
REF. No.	W/O VINTAGE & VINTAGE Y 01 PART OR M.L.	DESCRIPTION
17	HT201733-1	Transducer PCB, w/Ward-Leonard and Direct Drive, Location 2
18A	HT201725-4 HT205925-1	Power Amplifier I/O, w/o Ward-Leonard Drive, w/Direct Drive, Location 3



W/O VINTAGE & VINTAGE Y 01		
REF. No.	PART OR M.L.	DESCRIPTION
18B	HT201725-2 HT205925-1	Power Amplifier I/O, w/Ward-Leonard Drive, w/o Direct Drive, Location 3
18C	HT201725-3 HT205925-1	Power Amplifier I/O, w/Ward-Leonard Drive, w/o Direct Drive, Location 3



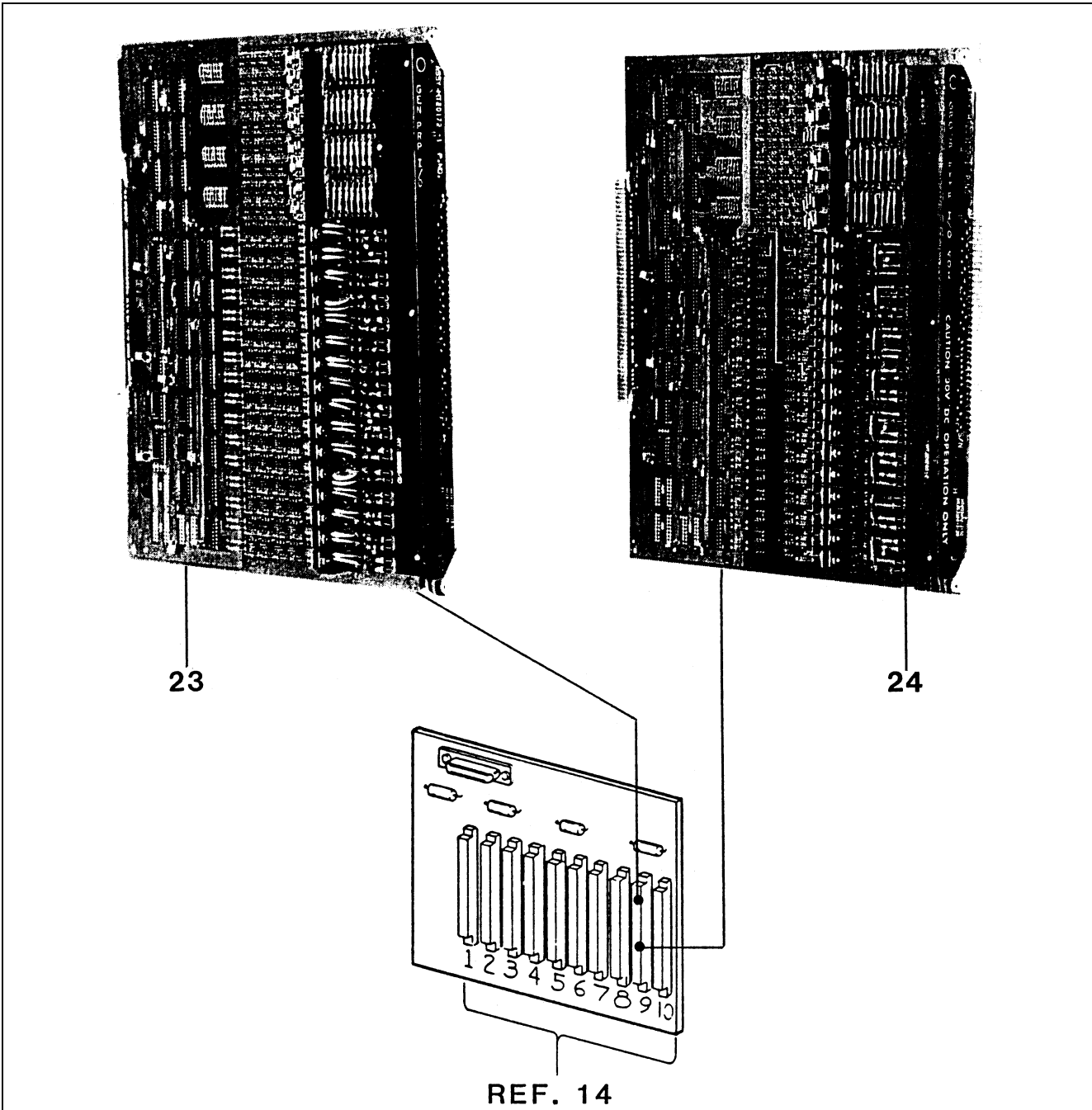
W/O VINTAGE & VINTAGE Y 01		
REF. No.	PART OR M.L.	DESCRIPTION
19	HT203101-1 HT203101-2	Relay, w/Ward-Leonard and Direct Drive, Location 5
20	HT203103-1	Car Fixtures, w/ Ward-Leonard and Direct Drive, Location 6



W/O VINTAGE & VINTAGE Y 01		
REF. No.	PART OR M.L.	DESCRIPTION
21	HT201723-1 HT201723-2	Board, General Purpose, Full, w/Ward-Leonard and Direct Drive, Location 7, 8
22	HT201724-1 HT201723-2	Board, General Purpose, I/O, w/ Ward-Leonard and Direct Drive, Location 8, 9

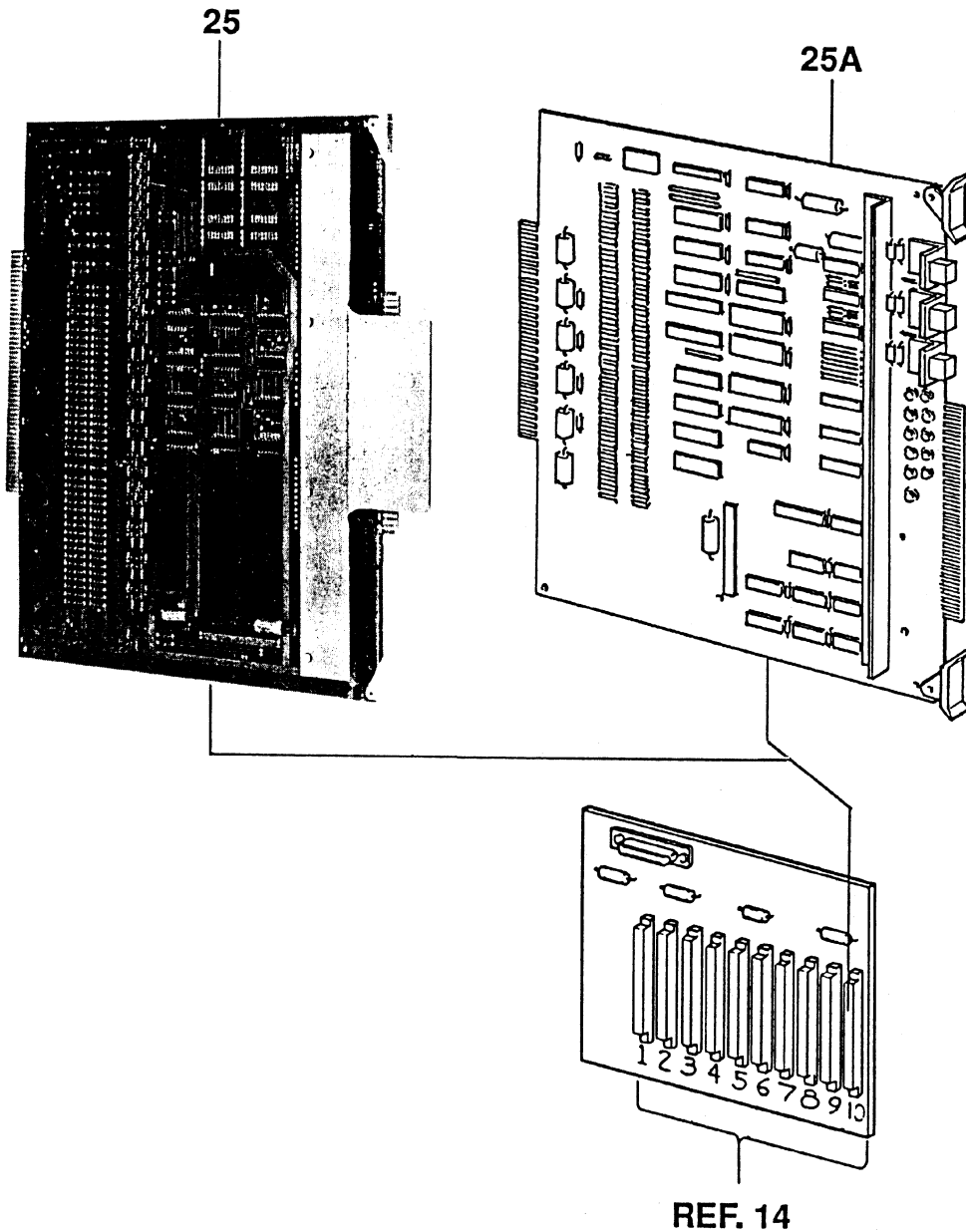
General Purpose & Group Fixture Boards

10-HT203100-1

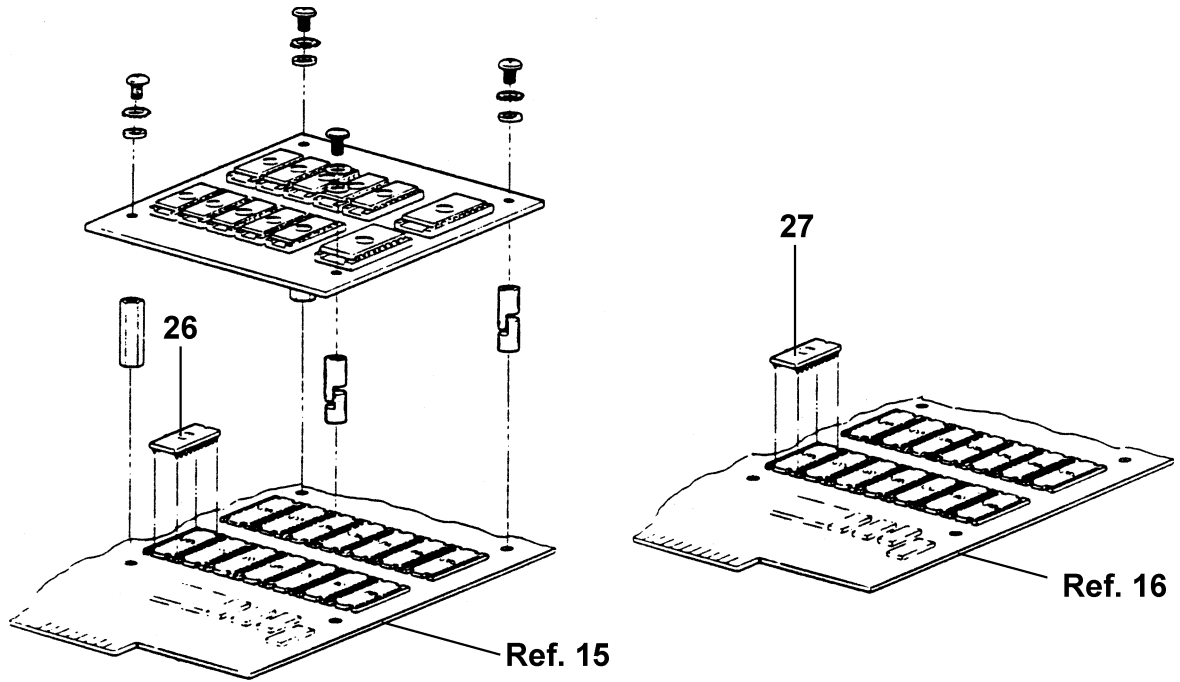


W/O VINTAGE & VINTAGE Y 01		
REF. No.	PART OR M.L.	DESCRIPTION
23	HT201723-4 HT201723-2	Board, General Purpose, Full, w/Ward-Leonard and Direct Drive, Location 9
24	HT203102-1	Board, Group Fixture, w/ Ward-Leonard and Direct Drive, Location 9

Bus Terminator Board

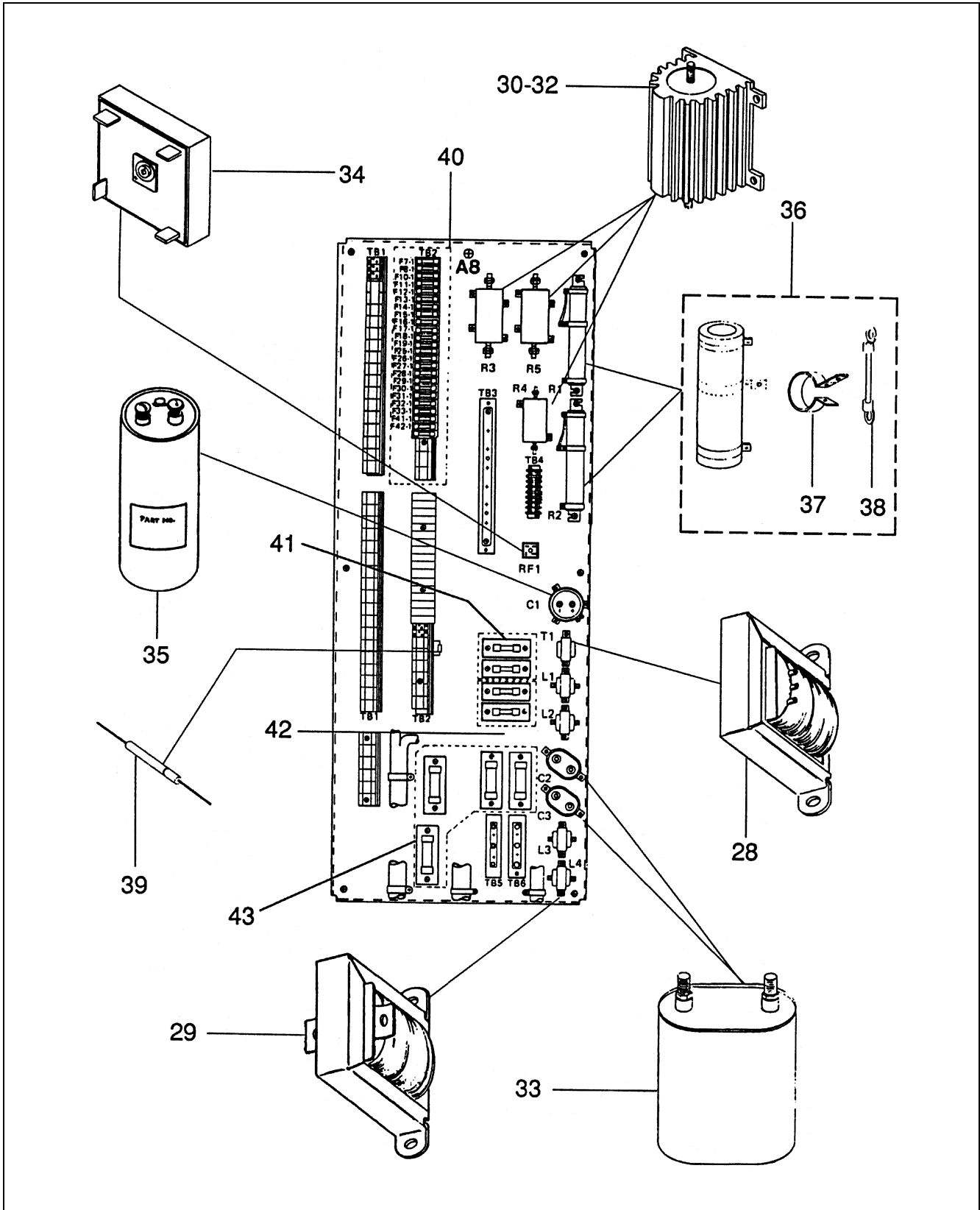


W/O VINTAGE & VINTAGE Y 01		
REF. No.	PART OR M.L.	DESCRIPTION
25	HT201736-1	Board, Bus Terminator, w/Ward-Leonard and Direct Drive, Used w/Feature Panel, Location 10
25A	8200BT2 B8200BT2	PCB, PET, w/Ward-Leonard and Direct Drive, Used w/Feature Panel
	8200BT3 B8200BT3	PCB, PET, w/Ward-Leonard and Direct Drive, Used w/o Feature Panel



W/O VINTAGE & VINTAGE Y 01		
REF. No.	PART OR M.L.	DESCRIPTION
26	HT201309-4 AAA616JR1	EPROM, 2716, NOTE
27	MT-125100 AAA616JR1	EPROM, 2732A, NOTE

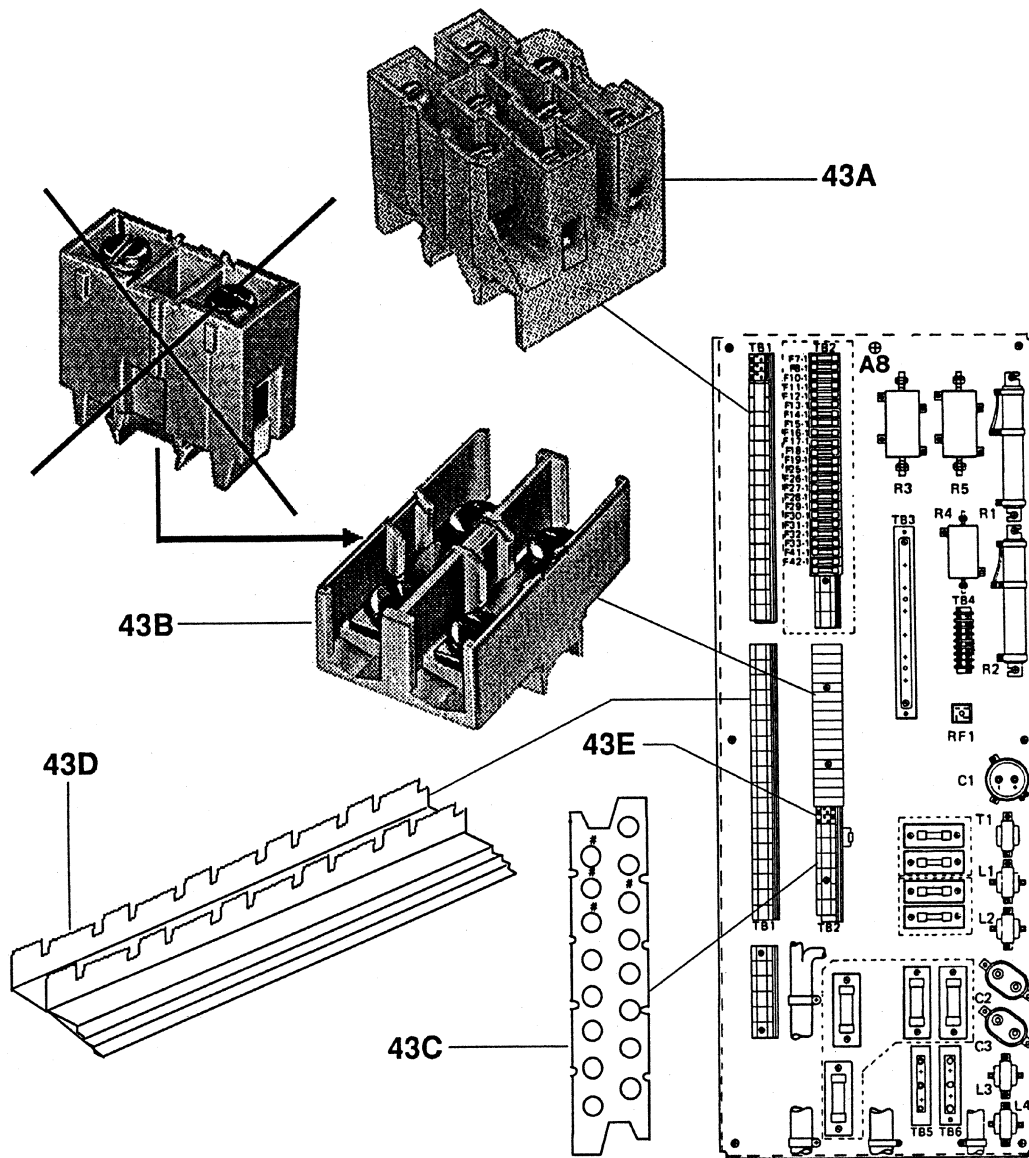
NOTE: You may merge your baseline and contract data into a pair of AAA616KH5.
 TIPS 1.1.3.4.0-6, 1.1.3.4.0-7, or 1.1.3.4.0-8 for detailed instructions.



**W/O VINTAGE
& VINTAGE Y 01**

REF. No.	PART OR M.L.	DESCRIPTION	REMARKS
28	HT201175-1	Transformer	T1
29	HT201173-1	Choke Filter	L1, L2, L3, L4
30	HT2E4755/10-0002	Resistor, Mtr. Field	R3
31	HT2E4755/11-0001	Resistor, Brake Field	R4
32	HT2E4755/10-0004 HT203823-1	Resistor, Gen. Field	R5
33	HT202107-1	Capacitor	C2, C3
34	HT2E4890/01-0007	Rectifier	RF1
35	HT2E1580/01-0007	Capacitor	C1
36	232E133	Resistor Assembly	R1, R2
37	297H2	Band	
38	175J60	Conductor	
39	HT593660-7 P612J2	Diode	
40	*	Fuse, Indicating, Page 21	
41	*	Fuse, 250 V, 15 A	
42	*	Fuse, 250 V, 25 A	
43	*	Fuse, 250 V, 40 A	

* For details, part numbers and locations of fuses, page 21.

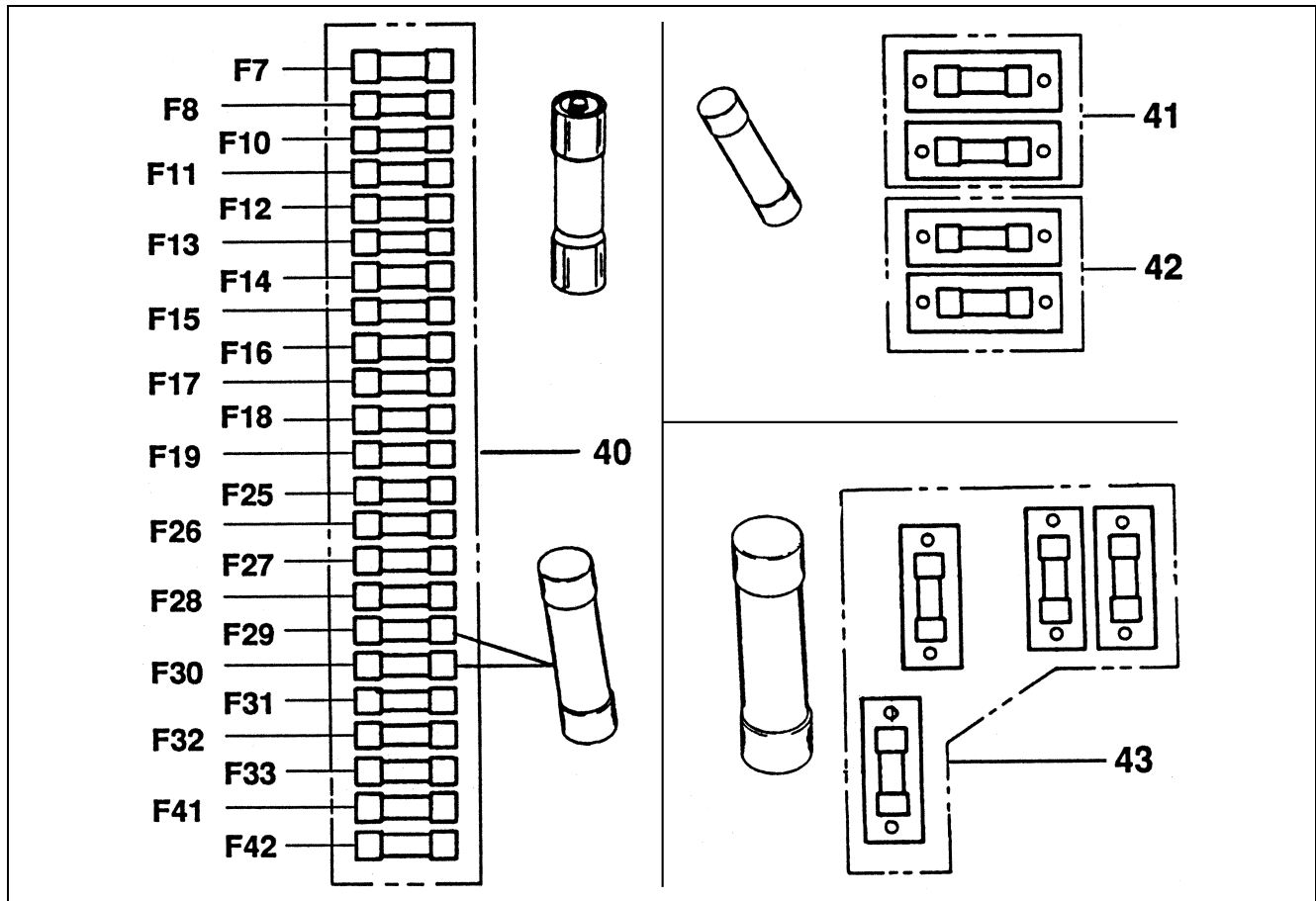


**W/O VINTAGE
& VINTAGE Y 01**

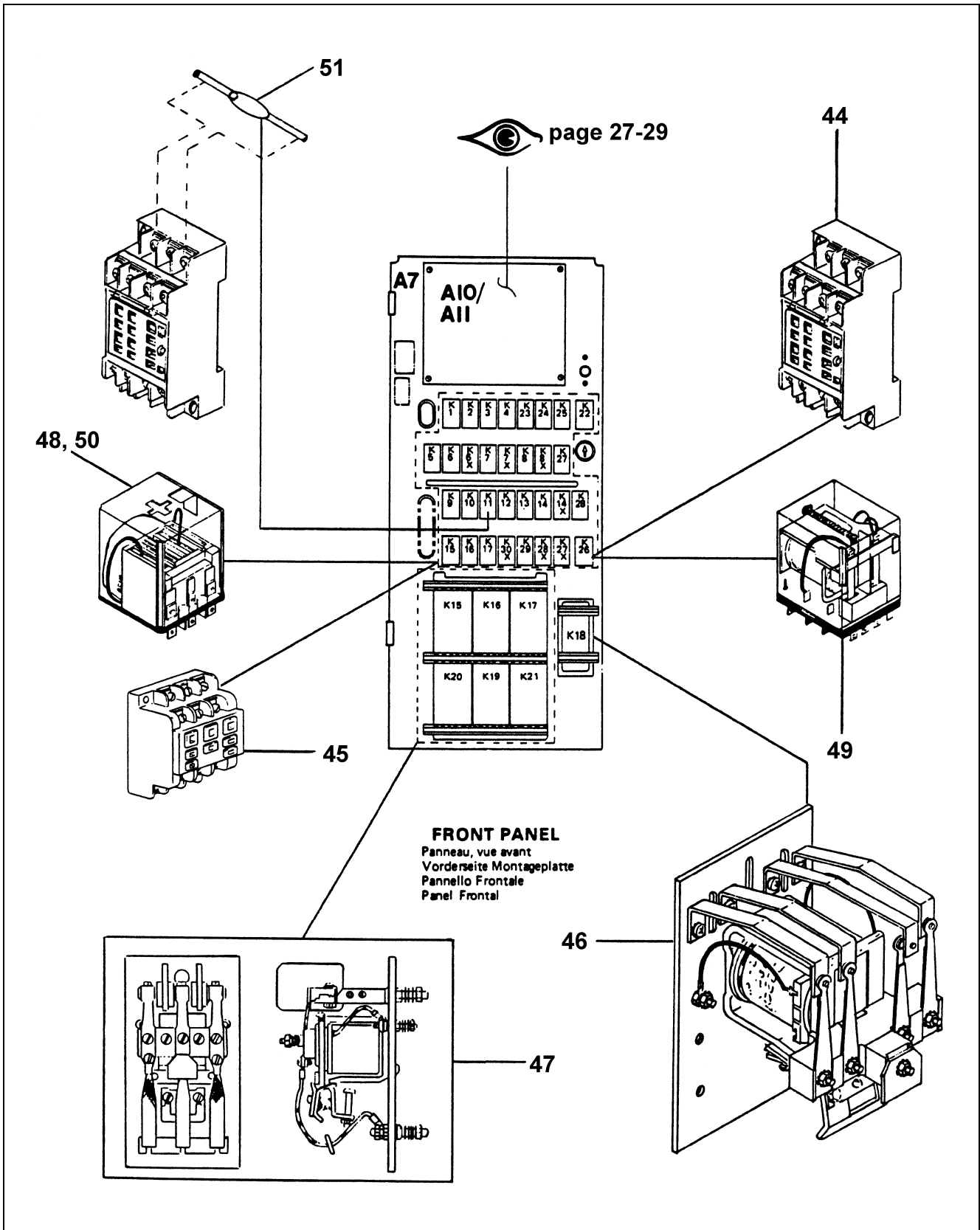
REF. No.	PART OR M.L.	DESCRIPTION
43A	HT202041-1	Terminal Block, 25 A
43B	NFT1 HTNU2	Terminal Block, # 18-4 Wire, 600 V
43C	HT202558-27	Marker, Terminal Strip, 30-53
	HT202558-28	Marker, Terminal Strip, 54-57
43D	HT20215-10	Rail
43E	MTC6TR	Marking Strip, Attach with Double Sided Tape

Fuses for Fixed Power Panel Assembly – A8

10-HT203100-1



REF. No.	PART OR M.L.	FUSE LOCATIONS								DESCRIPTION
		WARD LEONARD				DIRECT DRIVE				
40	HT2E5150/10-0001	F15	F18	F31	F35	F15	F18	F31	F35	Fuse, 250 V, 1 A
		F36				F36				
	HT2E5150/10-0002	F11	F13			F11	F13			Fuse, 250 V, 2 A
		F7	F8	F12	F14	F7	F8	F12	F13	
	HT2E5150/10-0004	F17	F19	F25	F26	F14	F17	F19	F25	Fuse, 250 V, 5 A
		F41	F42			F26	F41	F42		
	HT2E5150/10-0005	F16				F16				Fuse, 250 V, 10 A
	HT2E5150/10-0006	F27	F28			F27	F28			Fuse, 250 V, 15 A
HT2E5150/03-0018	F29	F30			F29	F30			Fuse, 250 V, 2.5 A	
HT2E5150/07-0004 KTK-R-6					F32	F33			Fuse, 600 V, 6 A	
41	HT2E5150/07-0002	F3	F4			F3	F4			Fuse, 250 V, 15 A
42	HT2E5150/07-0003	F5	F6							Fuse, 250 V, 25 A
43	FRN40 AAA375BW43	F23	F24			F23	F24			Fuse, 250 V, 40 A
	FRN-R-25 AAA375BW40	F21	F22			F21	F22			Fuse, 250 V, 25 A






Swing Panel Assembly A7 - Front

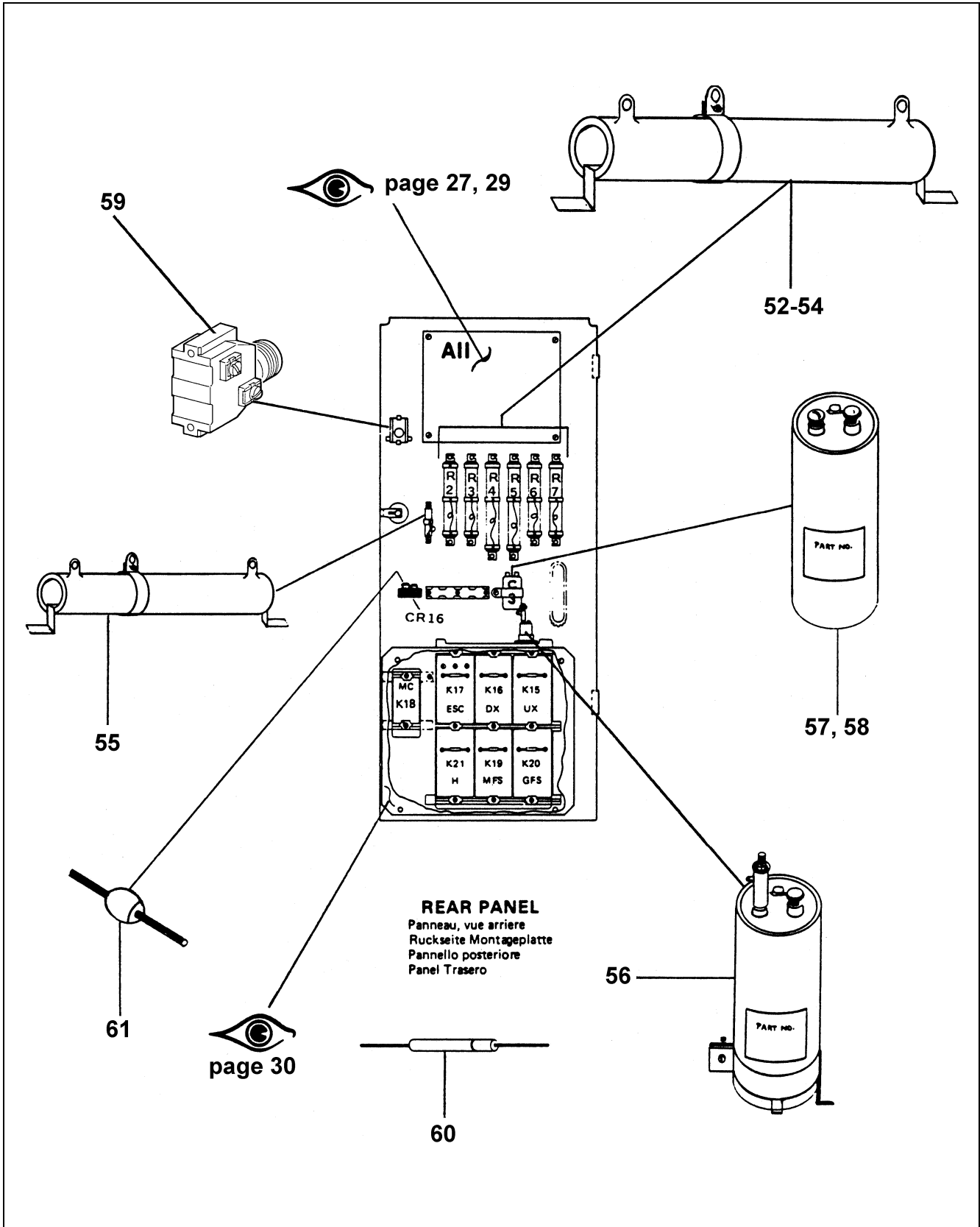
10-HT203100-1

**W/O VINTAGE
& VINTAGE Y 01**

REF. No.	PART OR M.L.	DESCRIPTION
44	AMHC-HSF P618Y1	Socket, Relay, K26
45	AMHP3-SF	Socket, Relay

46	A6164BP411-DF4	Relay	DUTY LINE										
			1	2	4	5	6	8	9	15	10	16	17
			18 B	22	23	24 A	29	29 A	30	30 A	3	3A	7
	A6164BP411-DS6		7A	10 A	11	11 A	12	13	14	15 A	17	18	18 A
	A6164BP411-DS5		19	20	21	22 A	23 A	24	25	26	27	28	31
			32	33	34	35	36	37	38	39	40	41	42
			For details of Ref. 46,  SPL 10-A6164BP.										

47	---	Relay, Type E6754,  Table A on Page 26
48	AMHP33-110VDC HT204732-3 P613AB4	Relay,  Table A on Page 26
49	AMHC2-P-110VDC P613AY1	
50	AMHP33-AC115V- H4 HT204732-4 P613AB7	
51	HTV18MA3B	Varistor, K11



Swing Panel Assembly A7 - Rear

10-HT203100-1



W/O VINTAGE & VINTAGE Y 01			
REF. No.	PART OR M.L.	DESCRIPTION	REMARKS
52	P232BJ2 OHM01350B	Resistor, 250 Ohm, Used w/Ward-Leonard Drive	R4, R5
53	232E25	Resistor, 10 Ohm, Used w/Ward-Leonard Drive	R2, R6
54	232E37	Resistor, 200 Ohm, Used w/Ward-Leonard Drive	R3, R7
55	232B220	Resistor, 2000 Ohm, Used w/Ward-Leonard and Direct Drive	R1
56	HT204983-3 226H3	Condenser, Used w/Ward-Leonard and Direct Drive	RC2
57	HTCG501U150R3C	Condenser, Used w/Direct Drive,	C3
58	HT204983-4 226W1	Condenser, Used w/Ward-Leonard Drive	C3
59	7014A1	Switch, Used w/Ward-Leonard and Direct Drive,  SPL C-1024, Type 7014A Push Pull Switch	
60	HT5036660-7 P612J2	Diode, Used w/Ward-Leonard and Direct Drive,	
61	HT202132-01 612B1	 Table A on Page 26	

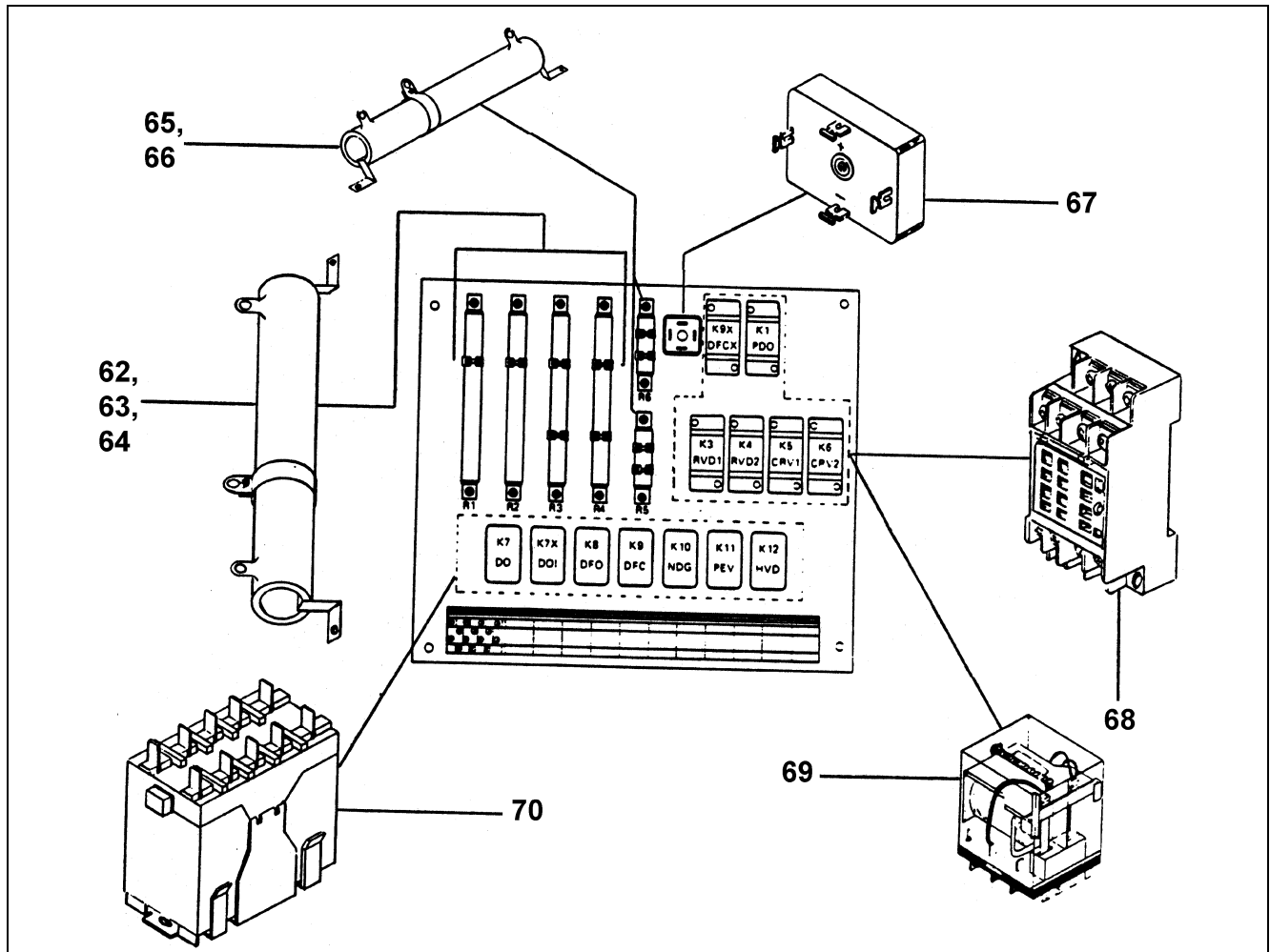
Table A – Relay Location

	W/O VINTAGE & VINTAGE Y 01	RELAY LOCATION							
REF. No.	PART OR M.L.	WARD-LEONARD				DIRECT DRIVE			
47*	E6754A121-EB1	K20				K19			
	E6754A122-EB1	K15	K16						
	E6754C126-EB2	K21							
	E6754A128-EB1					K20	K21		
	E6754C122-EB2	K17							
	E6754C128-EB2	K19							
48	AMHP33-110VDC	K13	K14	K14X	K29	K12	K13	K14	K14X
	HT204732-3					K15	K16	K17	K29
	P613AB4	K9	K10	K11	K12	K9	K10	K11	K11X
49	AMHG2K-100VDC P613AY11	K26				K26			
50	AMHP33-AC115V-H1 HT204732-4 P613AB7	K1	K2	K3	K4	K1	K2	K3	K4
		K5	K6	K6X	K7	K5	K6	K6X	K7
		K7X	K8	K8X	K22	K7X	K8	K8X	K22
		K23	K24	K25	K27	K23	K24	K25	K27
		K27X	K28	K28X		K27X	K28	K28X	
60	HT593660-7 P612J2	K9	K10	K12	K13	K9	K10	K12	K13
		K14	K15	K16	K17	K14	K15	K16	K17
		K19	K20	K21	K26	K19	K20	K21	K26
		K29	CR16			K29	CR16		
61	HT202132-04 612B1	CR15				CR15			

*  SPLs C-1067 and 10-6754 for the details of magnet switches.

OVL Front (A10) & Rear Door (A11) Panel

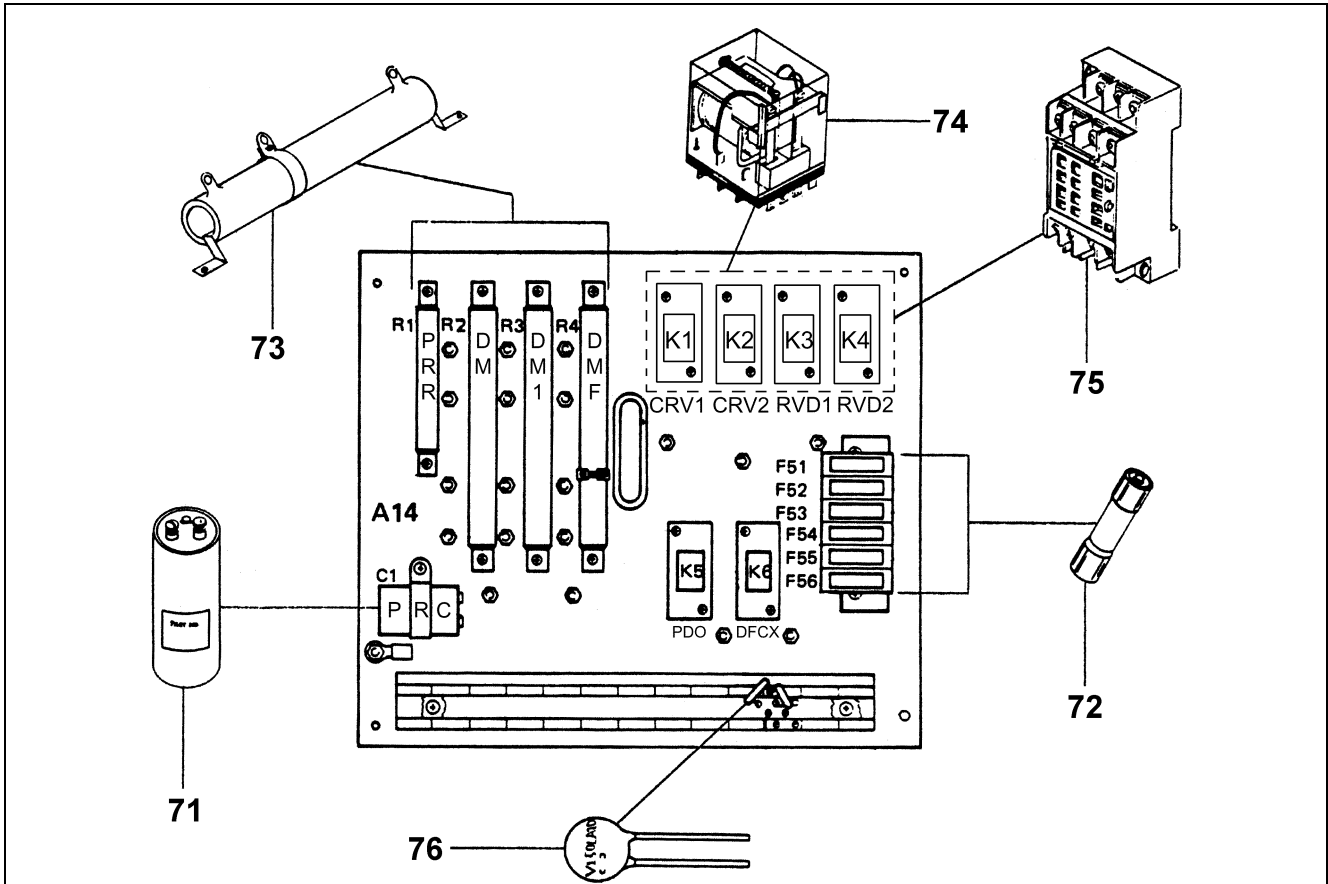
10-HT203100-1



**W/O VINTAGE
& VINTAGE Y 01**

REF. No.	PART OR M.L.	DESCRIPTION	REMARKS
62	OHM0960B	Resistor, 250 Ohm, 100 W	R1
63	OHM0960	Resistor, 100 Ohm, 100 W	R2
64	OHM0960	Resistor, 100 Ohm, 100 W	R3, R4
65	OHM0375	Resistor, 250 Ohm, 25 W	R5
66	OHM0368	Resistor, 100 Ohm, 25 W	R6
67	HTMDA3504	Rectifier	
68	AMHC-HSF	Socket	
69	AMHC4D-115VAC HT204731-2 P613AY3	Relay	
70	AMVC15-2A2B-AC115V	Relay	

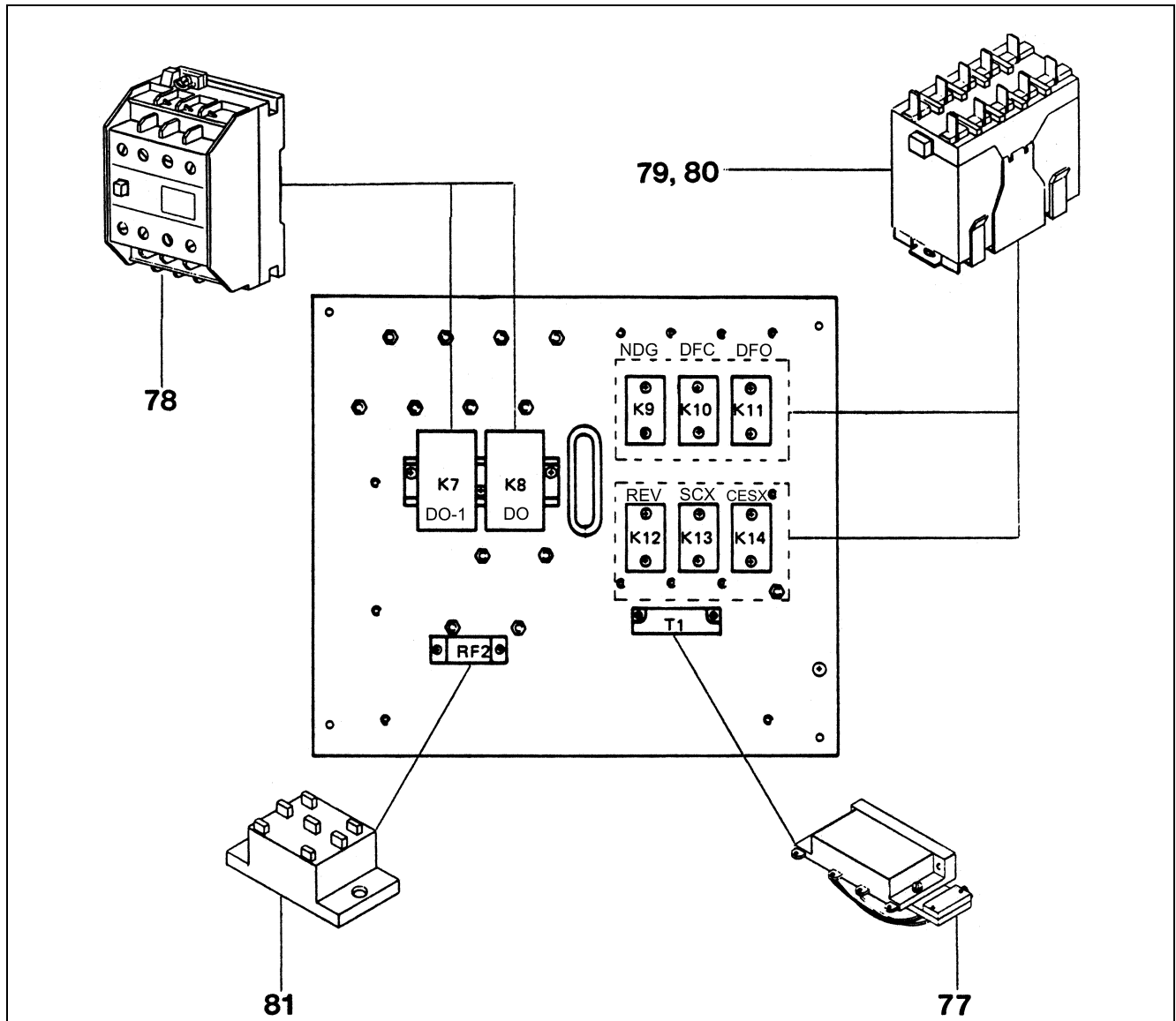
6970 Door Panel Assembly (A14) - Front



W/O VINTAGE & VINTAGE Y 01			
REF. No.	PART OR M.L.	DESCRIPTION	REMARKS
71	HTCG2750U150R2C	Capacitor	C1
72	HT2E5150/10-0003	Fuse, Indicating, 3 A	F55
	HT2E5150/10-0004	Fuse, Indicating, 5 A	F51, F52, F53, F56
	HT2E5150/10-0005	Fuse, Indicating, 10 A	F54
73	OHM0560C	Resistor, 3 Ohm, 50 W	R1
	OHM0959	Resistor, 50 Ohm, 100 W	R2, R3
	OHM0962	Resistor, 1000 Ohm, 100 W	R4
74	HT204731-2 AMHC4D-115VAC P613AY3	Relay	K1, K2, K3, K4, K5, K6
75	AMHC-HSF	Socket, Relay	
76	HT2E4735/01-0004 P604A1	Varistor	RV1, RV2

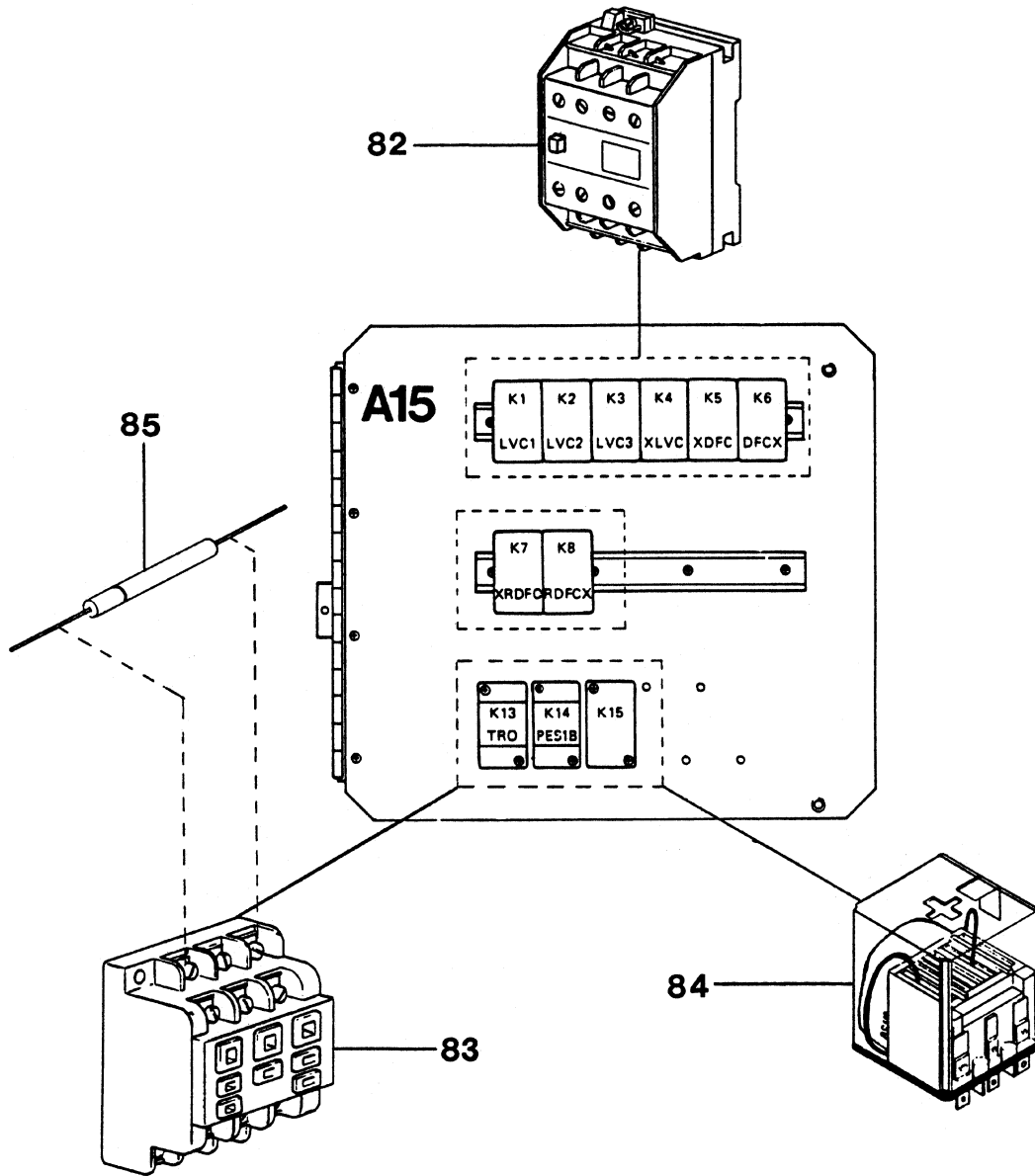
6970 Door Panel Assembly (A14) - Rear

10-HT203100-1



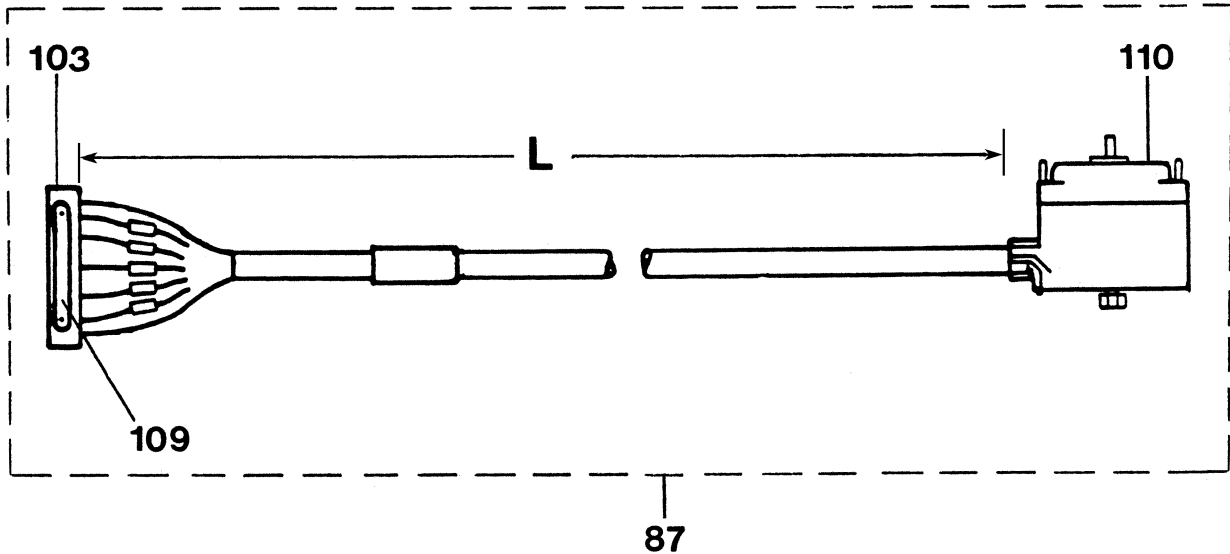
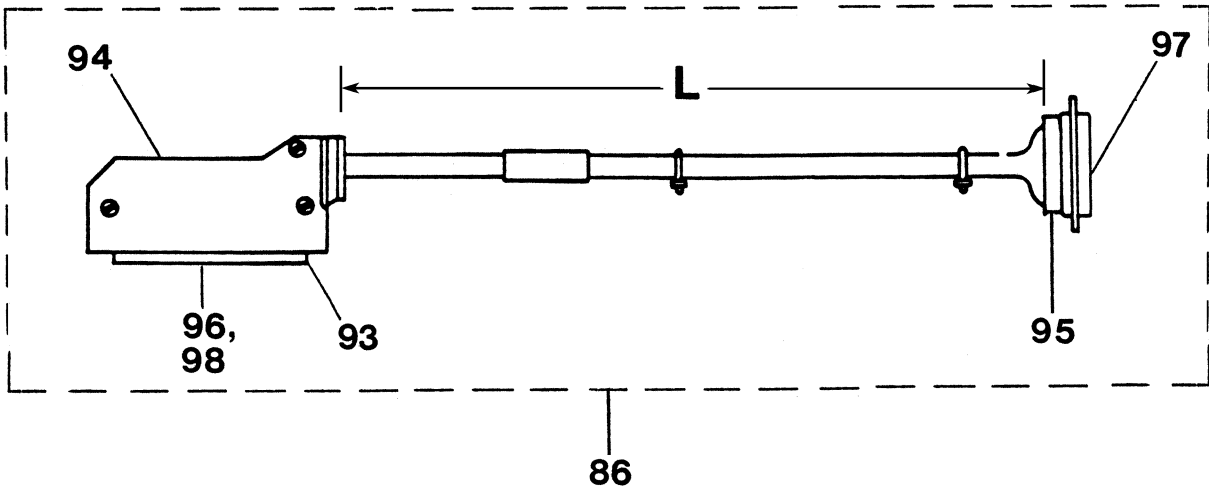
W/O VINTAGE & VINTAGE Y 01			
REF. No.	PART OR M.L.	DESCRIPTION	REMARKS
77	HT204156-1	Assembly, Timer	T1
78	HTRCN441-120VAC	Relay	K7, K8
79	AMVC15-2A/2BAC115		K9, K10, K11
80	P613AP6 AAA24831M6 AAA613DL17	Relay See NOTE	K12, K13, K14
81	HT2E4890/04-0005	Rectifier	RF2

NOTE: For first time replacement, order AAA24831M_; for subsequent replacements, order AAA613DL_. Refer to TIP 1.2.0-38, P613AP6, 7 and 9 Aromat Relay Replacements, for replacement options.



**W/O VINTAGE
& VINTAGE Y 01**

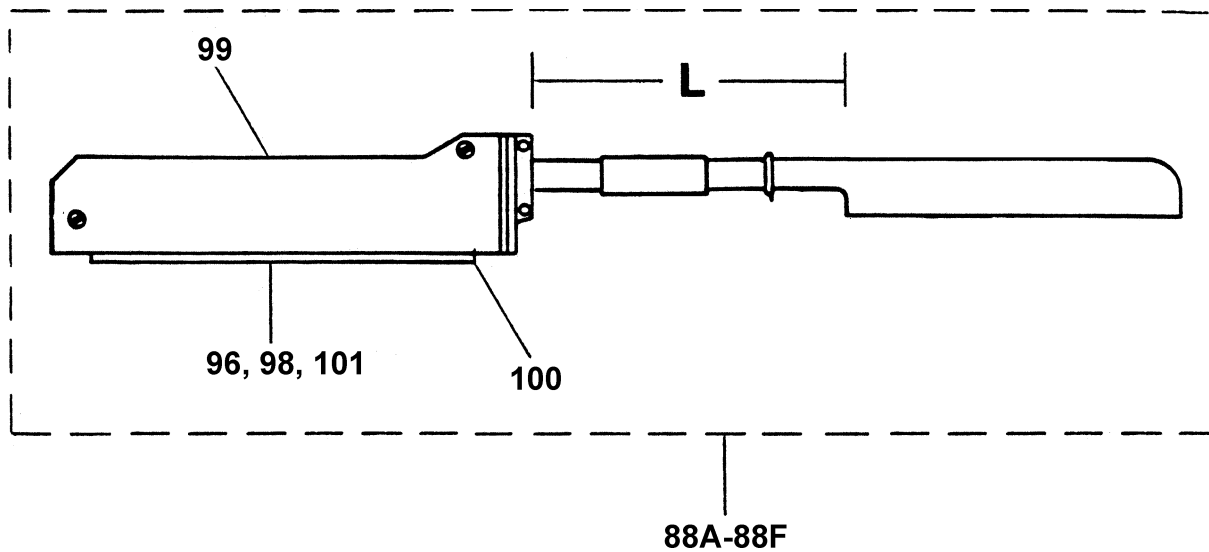
REF. No.	PART OR M.L.	DESCRIPTION	REMARKS
82	HTRCN441-120VAC	Relay	K1, K2, K3, K4, K5, K6, K7, K8
83	AMHP3-SF	Socket, Relay	K13, K14, K15
84	AMHP33-110DG HT204732-4 P613AB4	Relay	
85	HT593660-Z P612J2	Diode	K13, K14



**W/O VINTAGE
& VINTAGE Y 01**

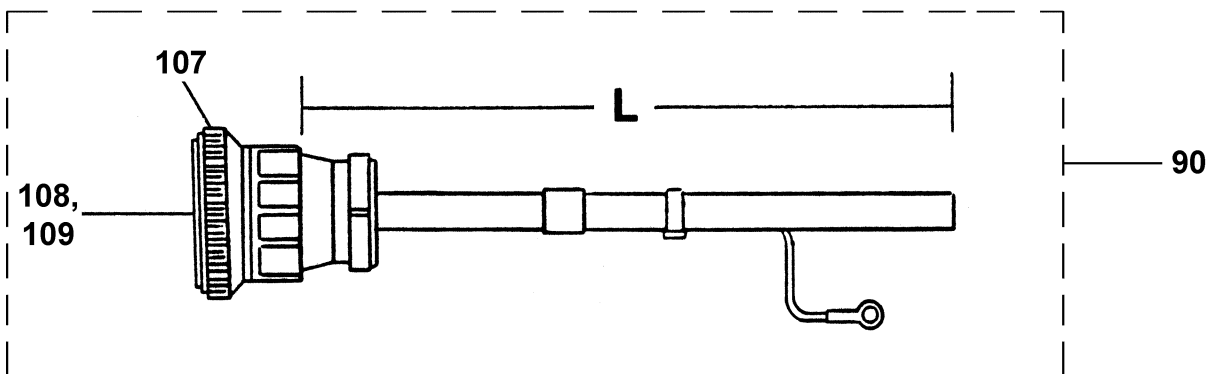
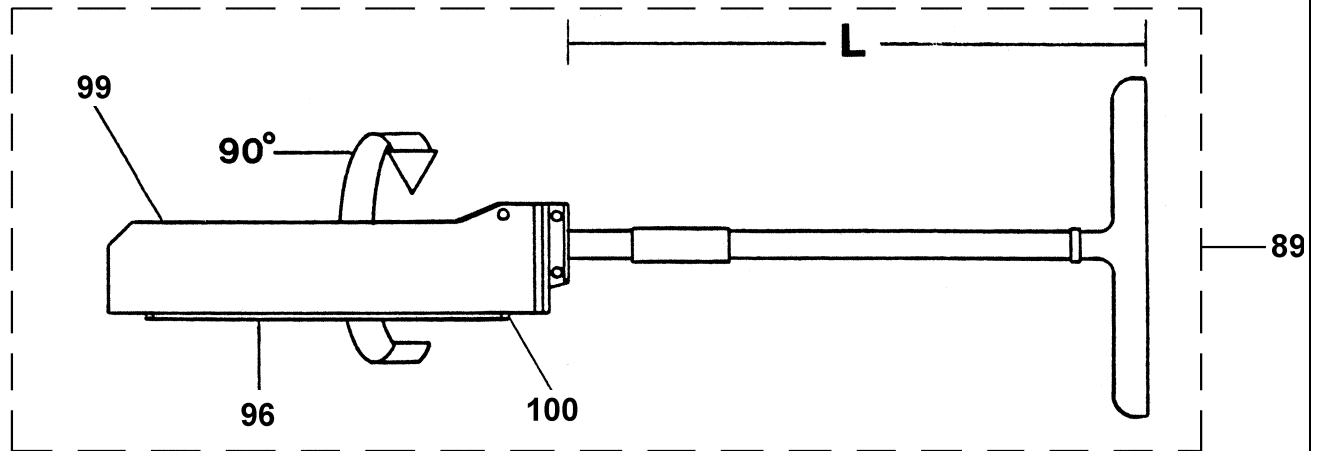
REF. No.	PART OR M.L.	DESCRIPTION	Contacts and Locations		
			REF. 96	REF. 97	REF. 98
86	HT201303-2	Cable L = 12 in., Board Position = 1	M, N, P, R, S, T, U	2, 3, 4, 5, 6, 7, 20	11, 12, 13, 14, 15, 16, 17

REF. No.	PART OR M.L.	DESCRIPTION	Contacts and Locations	
			REF. 110	REF. 111
87	HT201807-1	Cable L = 39 in., Board Position = A1, Power Supply	1, 2, 3, 4, 5, 6, 8, 9, 10, 11, 12, 14, 16, 17, 18, 19, 20, 21, 23, 24, 25, 26, 27, 28, 29, 31, 32, 33, 34, 35, 36, 37	N, R, S, T, U, V, W, X, Y, Z, a, b, c, d, e, f, h, j, k, l, m, n, p, r, s, t, u, v, w, x, y, z AA, BB, CC



**W/O VINTAGE
& VINTAGE Y 01**

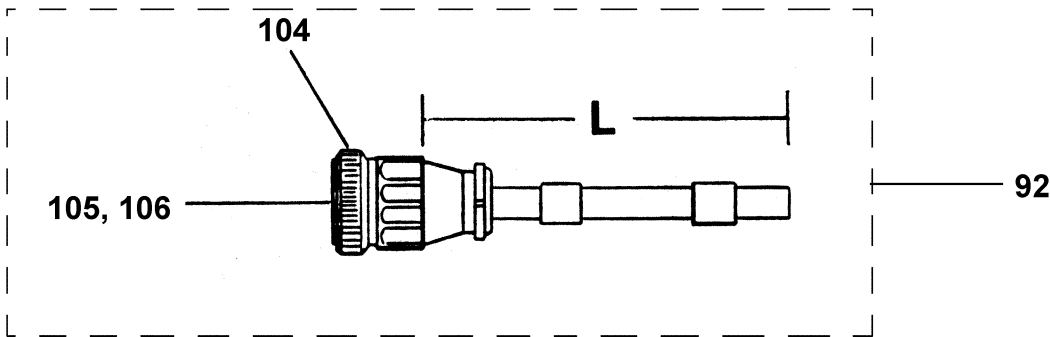
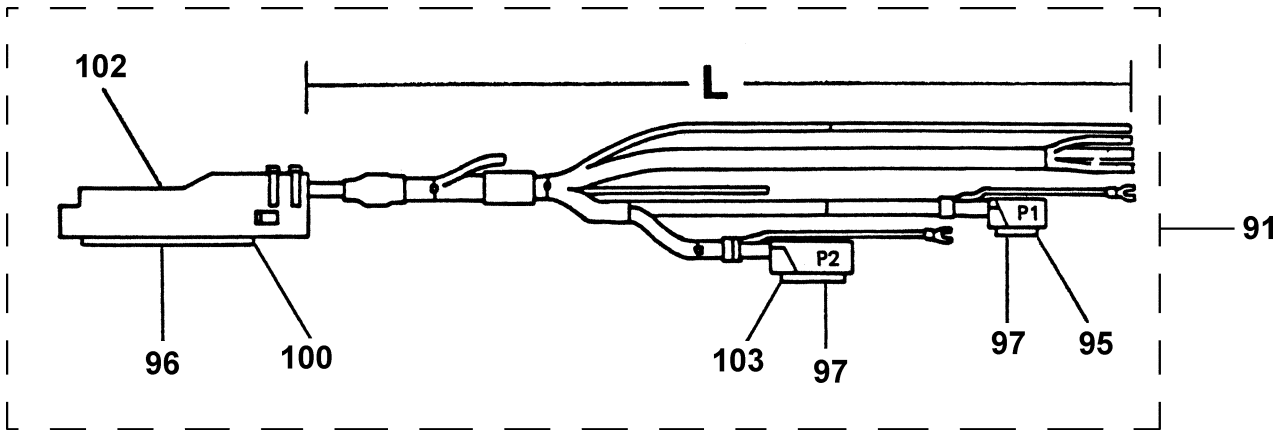
REF. No.	PART OR M.L.	DESCRIPTION	Contacts and Locations		
			REF. 96	REF. 98	REF. 101
88A	HT201758-3	Cable L = 38 in., Board Position = 5	1, 2, 33, 34, 35, 36, A, B, C, D, E, F, H, J, K, L, M, N, P, R, S, T, U, V, W, X, Y, Z, a, b, c, d, e, f, h, j, k, l, m, n, p, r	---	---
88B	HT201759-3	Cable L = 40 in., Board Position = 9	---	---	All 72 locations.
88C	HT201759-4	Cable L = 66 in., Board Position = 8			
88D	HT201759-9	Cable L = 60 in., Board Position = 6, 8			
88E	HT201759-10	Cable L = 39 in., Board Position = 7			
88F	HT202026-1	Cable L = 64 in., Board Position = 10	1, 3, 4, 5, 12, 13, 14, 15, 16, 17, 18, 19, 20, 21, 22, 23, 24, 25, 26, 27, 28, 29, A, C, D, E, N, P, R, S, a, b, c, d, e, f, h	T, U, V, W, X, Y, Z	---



**W/O VINTAGE
& VINTAGE Y 01**

REF. No.	PART OR M.L.	DESCRIPTION	Contacts and Locations	
			REF. 96	
89	HT201766-1	Cable L = 13 in., Board Position = 2	1, 2, 3, 4, 5, 27, 28, 29, 30, 31, 32, 33, 34, 35, 36, A, B, C, D, E, e, f, h, j, k, l, m, n, p, r	

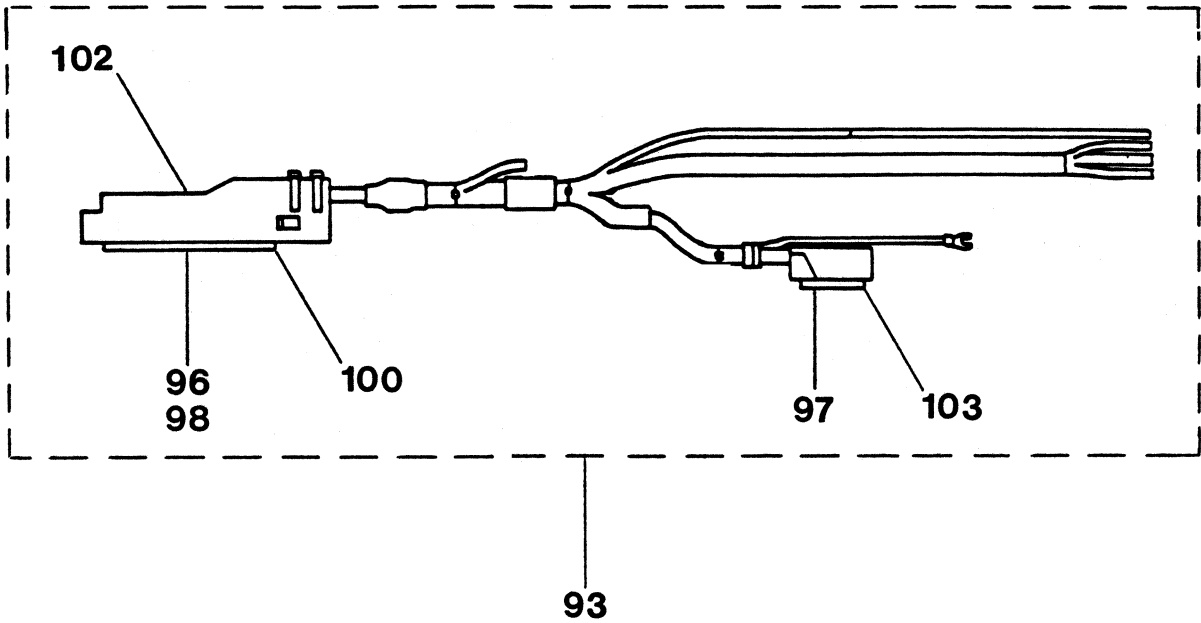
REF. No.	PART OR M.L.	DESCRIPTION	Contacts and Locations	
			REF. 108	REF. 109
90	HT201305-2	Cable L = 132 in., Board Position = A1, Power Supply J1	1, 4, 5, 6, 7, 10, 11, 12, 15, 16, 21, 24	22



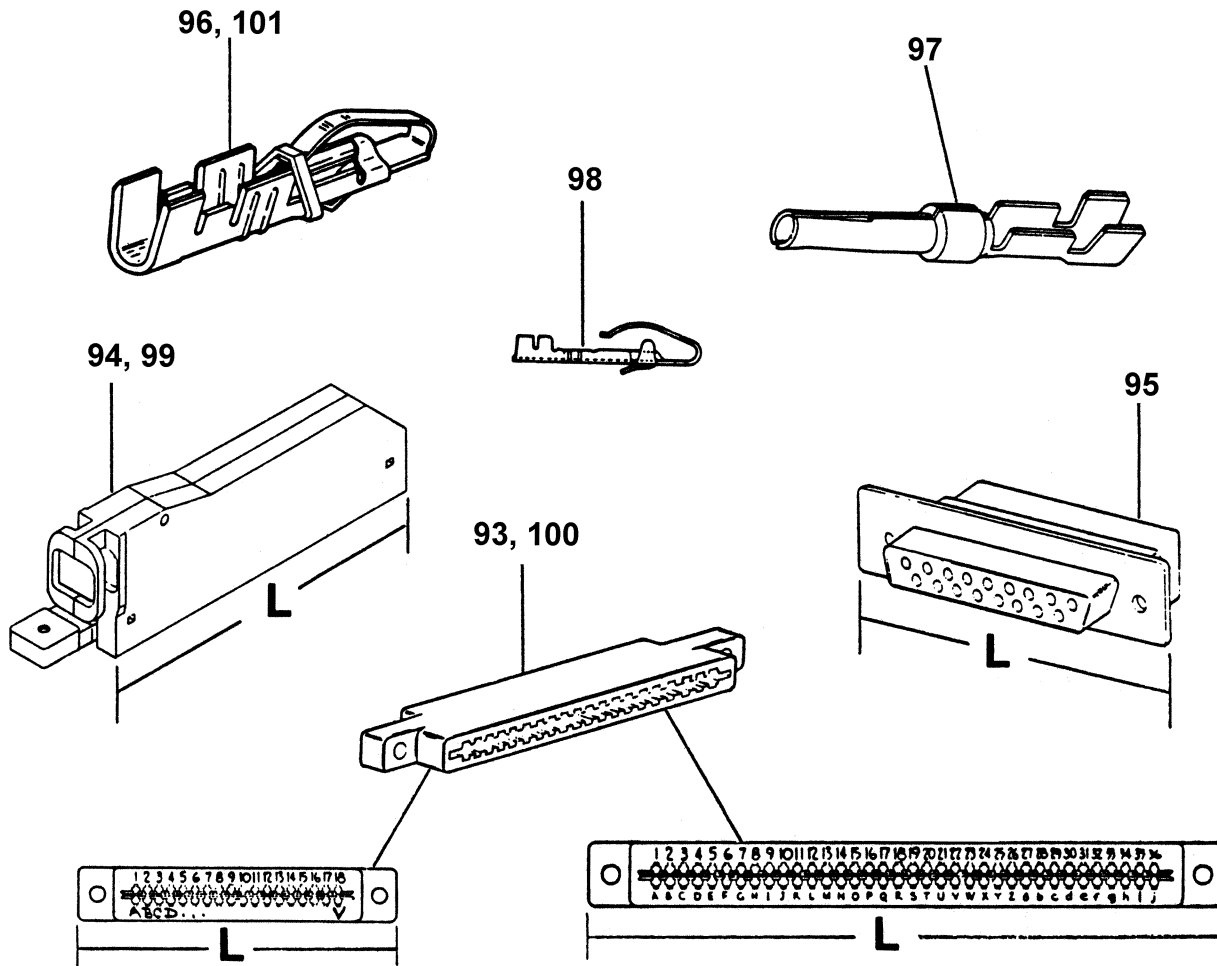
**W/O VINTAGE
& VINTAGE Y 01**

REF. No.	PART OR M.L.	DESCRIPTION	Contacts and Locations		
			REF. 96	REF. 97 (P1)	REF. 97 (P2)
91	HT201765-1	Cable L = 129 in., Board Position = 3	1, 2, 4, 5, 6, 10, 12, 24, 26, 29, 30, 35, 36, A, B, D, E, F, H, J, L, N, a, b, d, f, h, m, n, p, r	1, 2, 3, 4, 5, 10, 11, 12, 13, 14, 15, 16, 17, 18, 19, 20, 22, 23, 24, 25	1, 2, 3, 4, 14, 15, 16, 17, 18, 19, 20, 21, 22, 23, 27, 28, 29, 30, 31, 32, 34, 35, 36, 37

REF. No.	PART OR M.L.	DESCRIPTION	Contacts and Locations	
			REF. 108	REF. 109
92	HT201304-2	Cable L = 102 in., Board Position = A1, Power Supply J2	3, 4, 6, 7, 8, 11, 12	10, 14

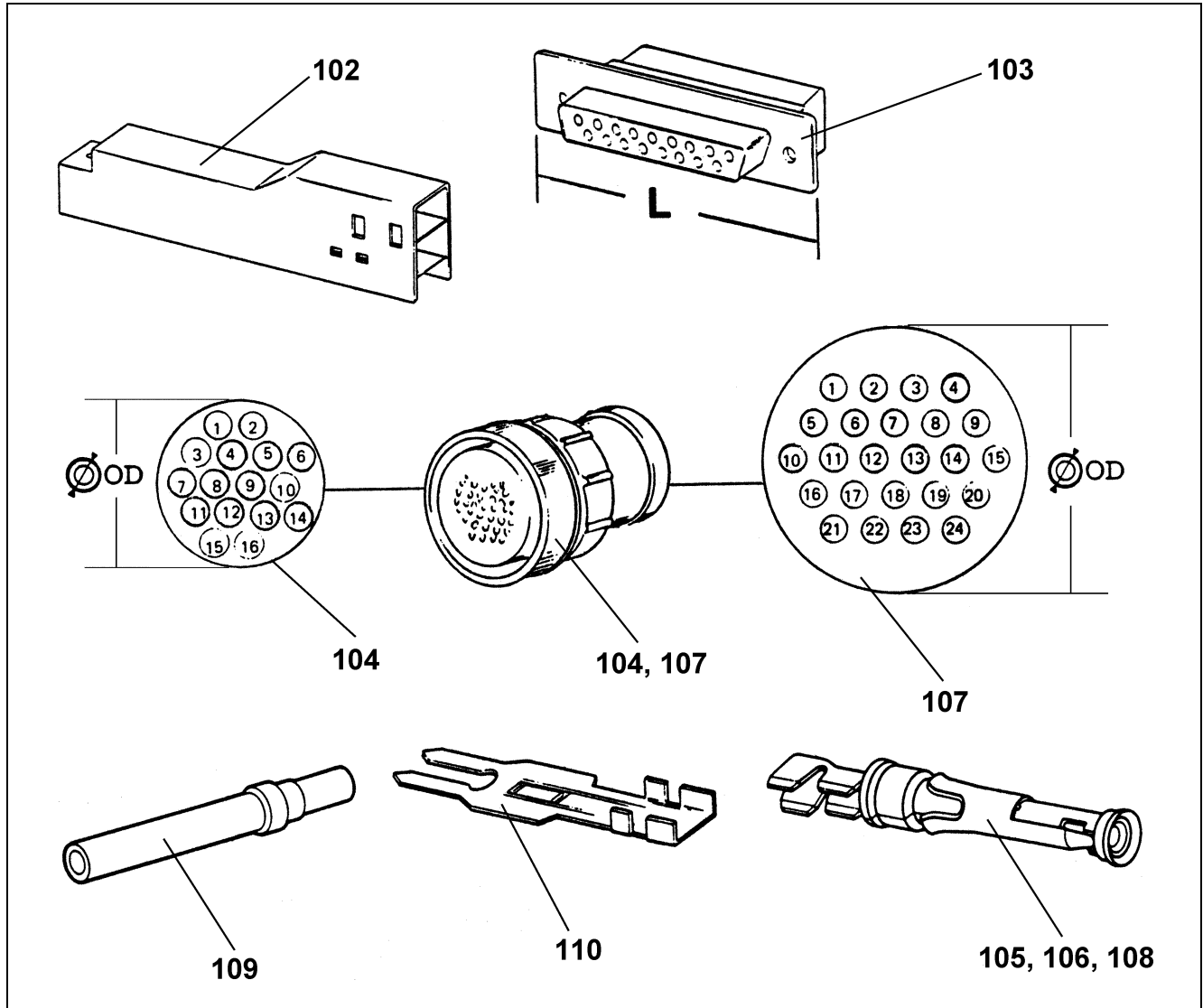


		W/O VINTAGE & VINTAGE Y 01			
REF. No.	PART OR M.L.	DESCRIPTION	Contacts and Locations		
			REF. 96	REF. 97	REF. 98
93	HT201765-3 (D.D.)	Cable L = 129 in., Board Position = 3	1, 2, 4, 5, 10, 11, 12, 24, 25, 26, 36, A, B, D, E, H, L, M, N, a, b, c, d, f, n, p, r	1, 2, 3, 4, 14, 15, 16, 17, 18, 19, 20, 21, 22, 23, 27, 28, 29, 30, 31, 32, 34, 35, 36, 37	7, 23, 28, 34, 35

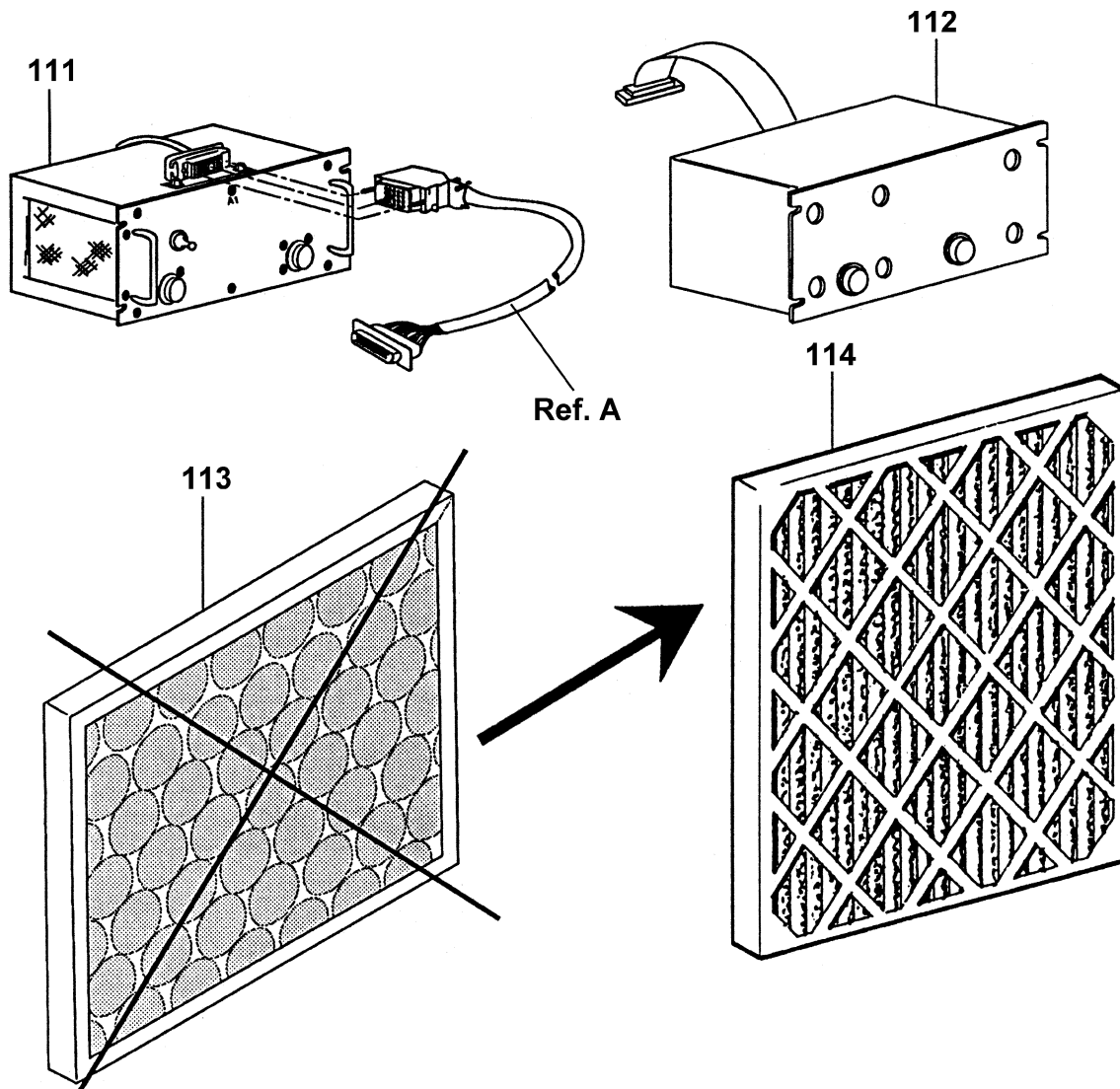


**W/OVINTAGE &
VINTAGE Y01**

REF. No.	PART or M.L.	DESCRIPTION
93	HT583725-1	Connector, Edge, Contact Position 18
94	HT530088-3	Hood, Contact Position 18, L = 3.826 in.
95	HT205207-1	Receptacle, Contact Position 25, L = 2.088 in.
96	HT583361-3	Contact, Snap-in, 22-18 AWG
97	HT66504-3	Contact, Socket, 24-20 AWG
98	HT66084-3	Contact, Dummy
99	HT1-530088-6	Hood, Contact Position 36, L = 7.198 in.
100	HT583552-1	Connector, Contact Position 36, L = 7.015 in.
101	HT583204-2	Contact, Snap-in, 26-22 AWG



REF. No.	W/O VINTAGE & VINTAGE Y01 PART or M.L.	DESCRIPTION
102	HT202028-1	Hood
103	HT205209-1	Receptacle, Contact Position 37, L = 2.729 in.
104	HT206037-1	Plug, Outer Diameter = 1.315 in.
105	HT66104-6	Contact, Socket, 24-20 AWG
106	HT66358-5	Contact, Socket, 14 AWG
107	HT206837-1	Plug, Outer Diameter = 1.743 in.
108	HT66100-6	Contact, Socket, 18-16 AWG
109	HT205090-1	Contact, Socket, 24-20 AWG
110	HT60-8017-03-13	Contact, 26-18 AWG



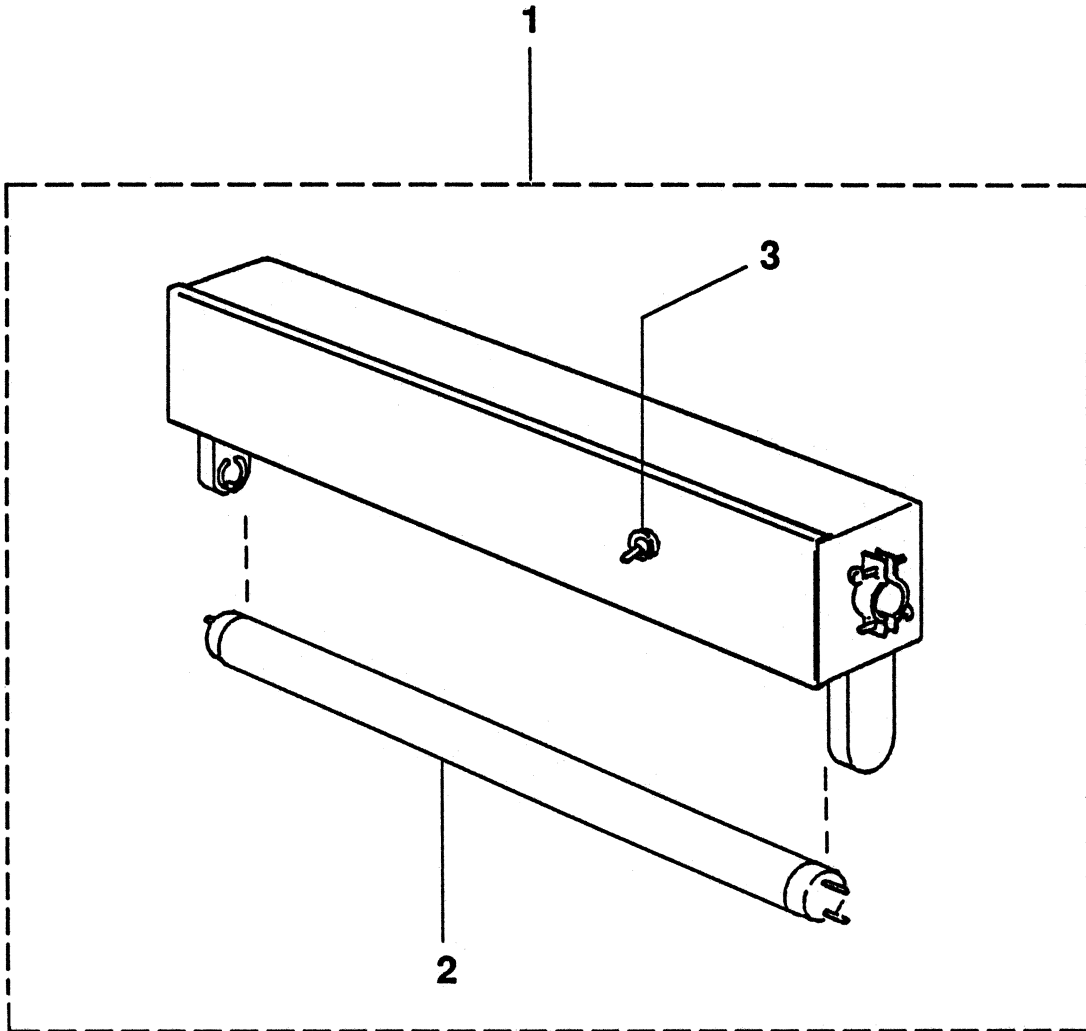
	W/OVINTAGE	VINTAGE Y01	
REF. No.	PART or M.L.		DESCRIPTION
111	HT201781-1	---	Power Supply, w/Battery Charging Circuit
	HT201781-2 205410-4		Power Supply, w/o Battery Charging Circuit, 👁️ NOTE
112	HT203193-1	---	Power Supply, w/Battery Charging Circuit
	HT203193-2 205410-4		Power Supply, w/o Battery Charging Circuit, 👁️ NOTE

REF. No.	W/OVINTAGE & VINTAGE Y01	DESCRIPTION
113	LA5P15-0022	Air Filter
114	HT206378-1	Air Filter, Multi-Pleat

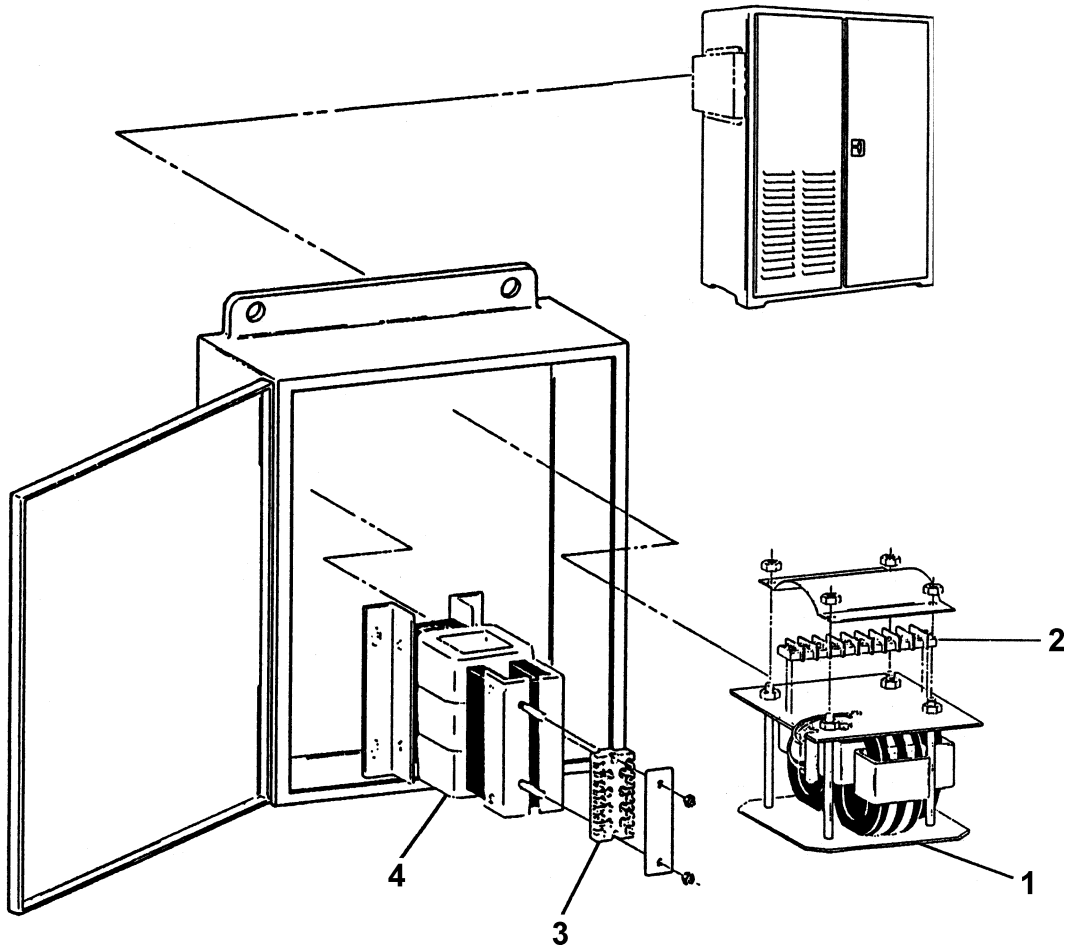
NOTE: Battery charge circuit (Ref. A) is no longer needed if using 205410-4 power supply cable.

Lamp and Light Fixture

10-HT203100-1



W/O VINTAGE & VINTAGE Y01		
REF. No.	PART or M.L.	DESCRIPTION
1	417CD2	Assembly, Light Fixture
2	424E14	Lamp
3	6599A3	Switch, Toggle



VINTAGE Y 02		
REF. No.	PART or M.L.	DESCRIPTION
1	A7011A2	Reactor
2	303G7	Terminal Block
3	303H3	
4	235F1	Transformer, 208 V, 220 V, 240 V
	235F3	Transformer, 550 V, 575 V, 600 V
	235F7	Transformer, 350 V, 380 V, 400 V
	235F6	Transformer, 440 V, 460 V, 480 V