

Elevonic® Group-Car Controller

(Direct Drive, HT204400-1)

(Ward Leonard, HT204500-1)

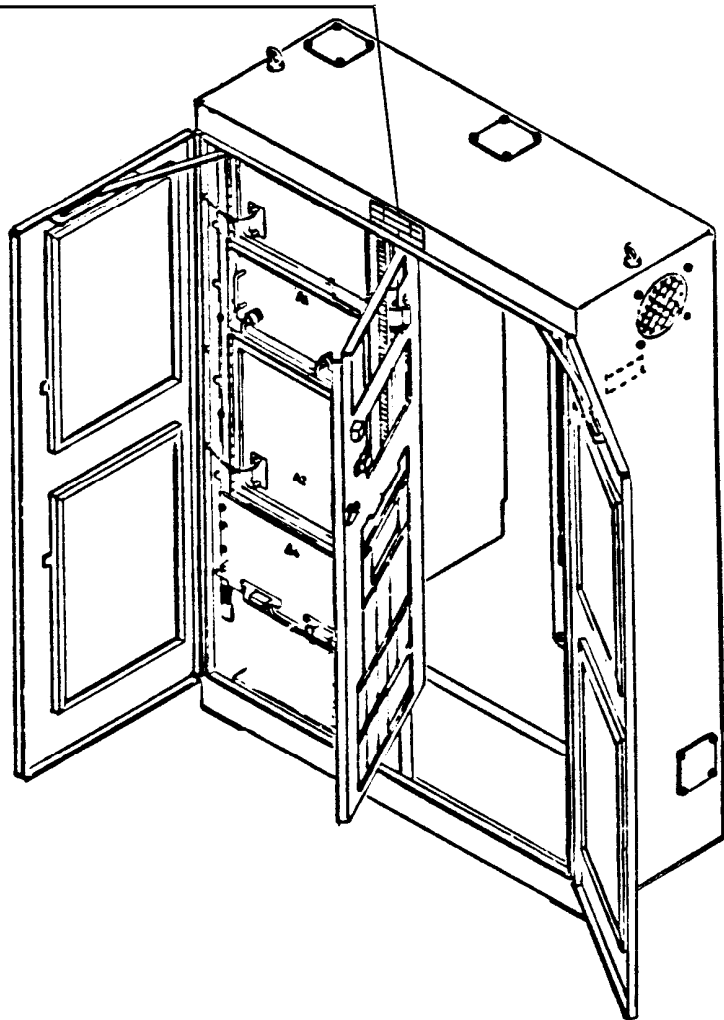
Spare Parts Leaflet

10-HT204400-1

March 21, 2012 / Page 1 of 7

10	HT204400-1	
Y	VINTAGE	Y 01
REV		EN

10	HT204500-1	
Y	VINTAGE	Y 01
REV		EN



Unpublished Work—© Otis Elevator Co.; 2012

OTIS

Safety First!

SERVICE ENGINEERING
Otis Elevator Company
Bloomfield, Connecticut USA

Leaflet Description

Elevonic 401 Group-Car controller spare parts for direct drive and Ward-Leonard control.

Leaflet Revisions

Date Revised	Subject Matter Expert	Reason for Revision
March 1, 1986	Jeff Costley (Technical Writer)	New SPL
December 1998	Ali Bozorgzadeh	Part number crossover correction detected on Otis Wave.
March 17, 2010	Asif Hassan	Update to processor PC Board part numbers
March 21, 2012	Bennie Murah	Added Compass information on p. 4

Related Drawings

Drawing No.	Title	Drawing No.	Title
HT204400-1	Group-Car Controller, Direct Drive	HT204500-1	Group-Car Controller, Ward-Leonard Drive

Related Documents

Document ID	Title
10-HT203100-1	<i>E401 Controller Ward-Leonard Direct Drive</i>

Subject Matter Expert

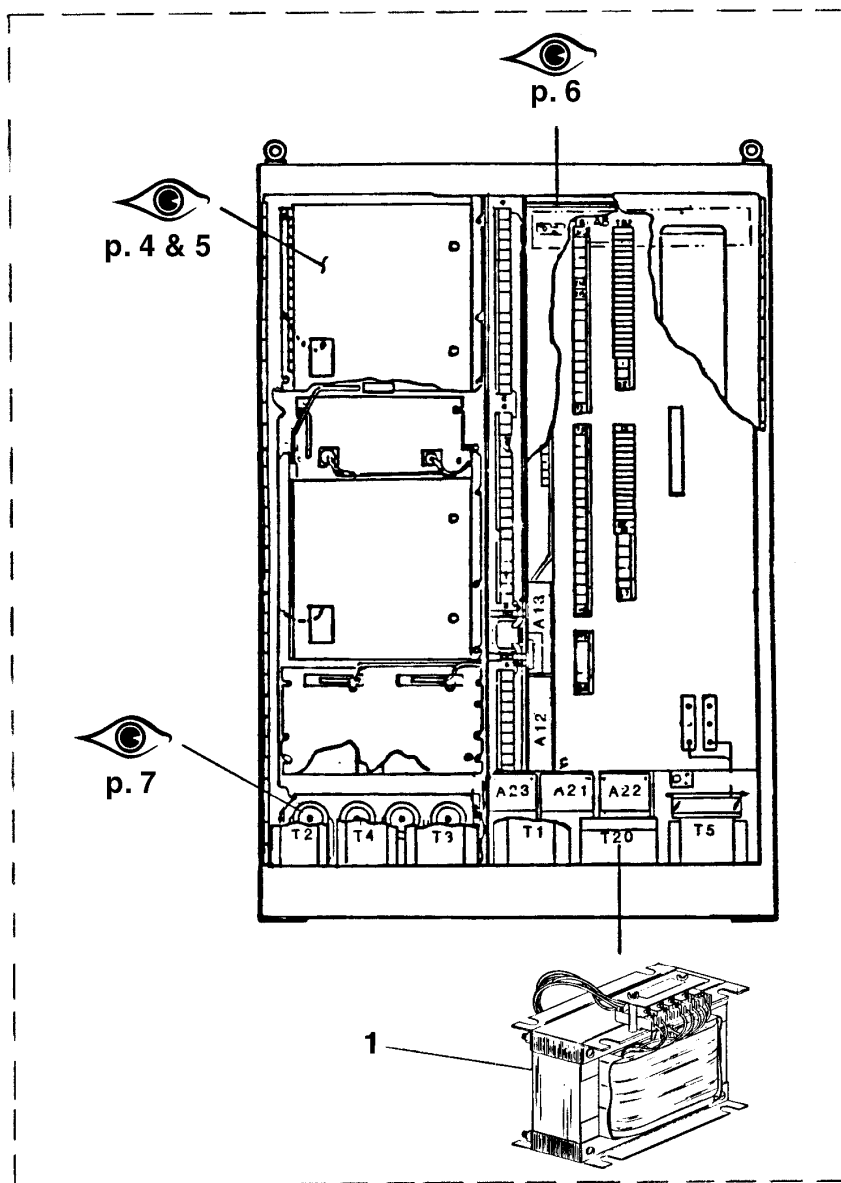
Name	Department
Bennie Murah	Otis Farmington Engineering

About Spare Parts Leaflets...

This document lists the lowest replaceable units (LRUs) for the standard version of the product. The LRUs are chosen by a team of Otis associates representing engineering and manufacturing.

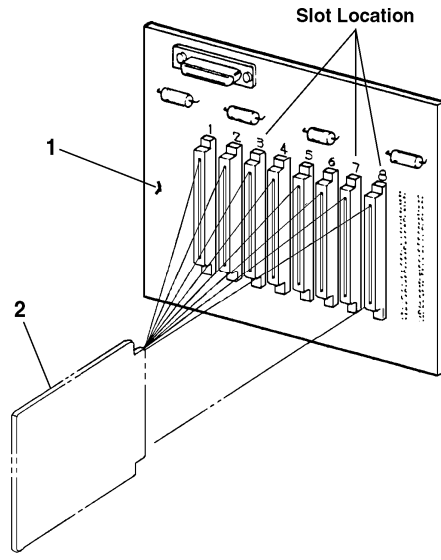
While goal of this document is to make parts identification as easy as possible, the document cannot be all-inclusive. Elevator and escalator contracts classified as "special" or "custom" are not addressed here. For such contracts, please refer to specified information, the contract folder, TIPS, Field Education Articles, Construction Letters, etc. for further information.

If you have any suggestions about this document, please contact the subject matter expert listed on this page.



 SPL 10-HT203100-1

	W/O VINTAGE & VINTAGE Y 01						
REF. NO.	PART or ML	DESCRIPTION					
1	HT203131-1	Transformer	VOLTAGE				
	HT203132-1		200	208	220	230	240
	HT203133-1		346	380	—	—	—
	HT203141-1		400	416	440	460	480
			550	575	600	—	—

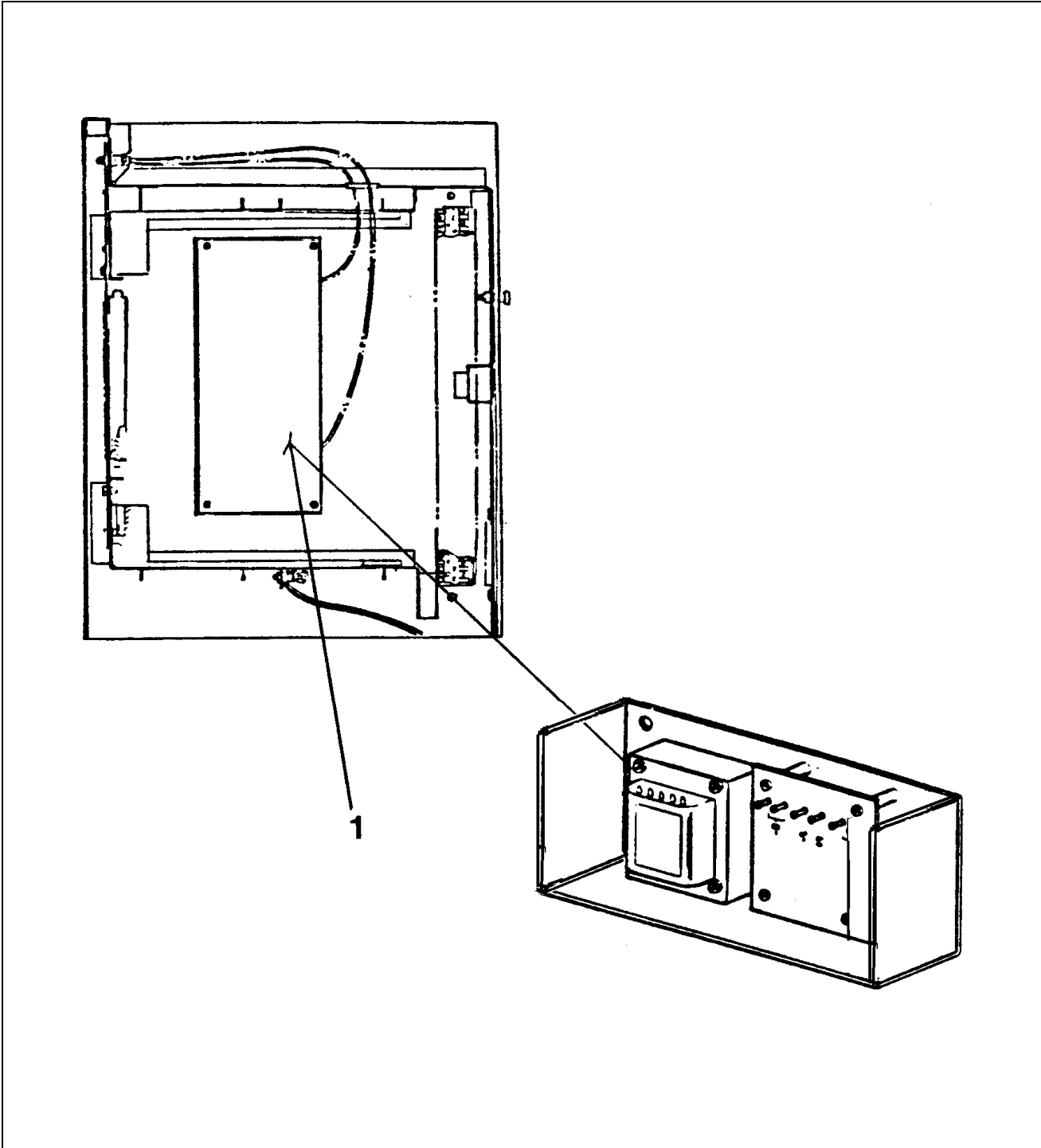


REF. NO.	DESCRIPTION	PART or ML	W/O VINTAGE & VINTAGE Y 01 SLOT LOCATION
1	PCB, Interconnect	HT201728-2	
2	PCB, Processor (NOTE 1)	HT204349-1	1
		HT204349-3	
		HT204349-4	
		HT204349-5	
		HT206481-4	
	PCB, Processor, Compass 401X, 8-Car Group (NOTE 3)	AAA21700AL1	
	PCB, Communications, 4-Car Group	HT201732-4	2
	PCB, Communications, 6-Car Group	HT201732-6	
	PCB, Communications, 8-Car Group	HT201732-8	
	PCB, Communications, 8-Car Group + Lobby CRT	HT201732-1	
	PCB, Adapter (from Wago to card edge conn) (NOTE 3)	AAA26800AVZ1	
	PET Board	B8200BT1	3
	PET Board, EMS + Otis CHK (NOTE 2)	AAA26800AMF3	
	PET Board, EMS Only (NOTE 2)	AAA26800AMF4	
	PCB, Group Fixture	HT203102-1	4
PCB, General Purpose, Full or PCB, General Purpose, One-Half	HT201723-1	5, 6, 7	
	HT201724-1		
	HT201723-2		
PCB, Group Fixture	HT203102-1		
PCB, Bus Terminator	HT204327-1	8	

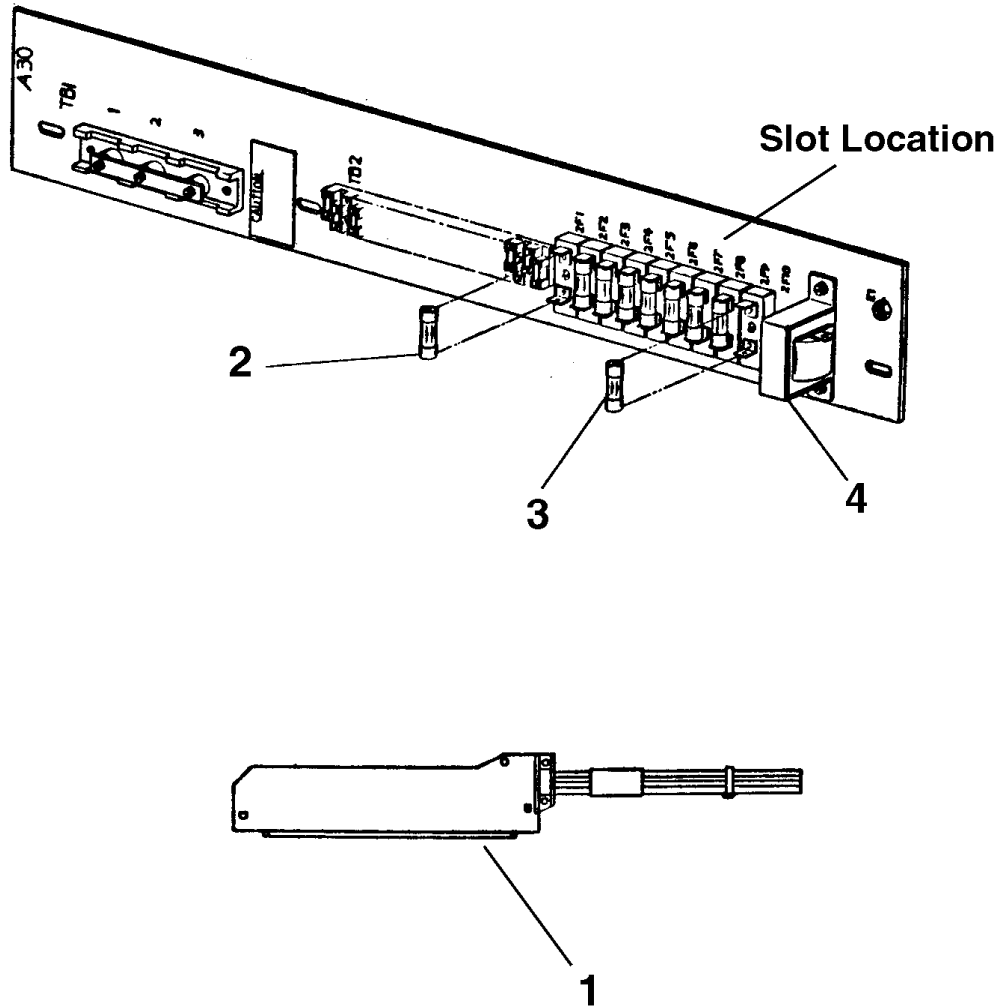
NOTE 1: See TIP 1.1.3.1-91, *E101/401 Processor Boards Update*.

NOTE 2: See TIP 1.1.3.0-78, *Selecting AAA26800AMFX PET Board as Replacement for B8200BTX*.

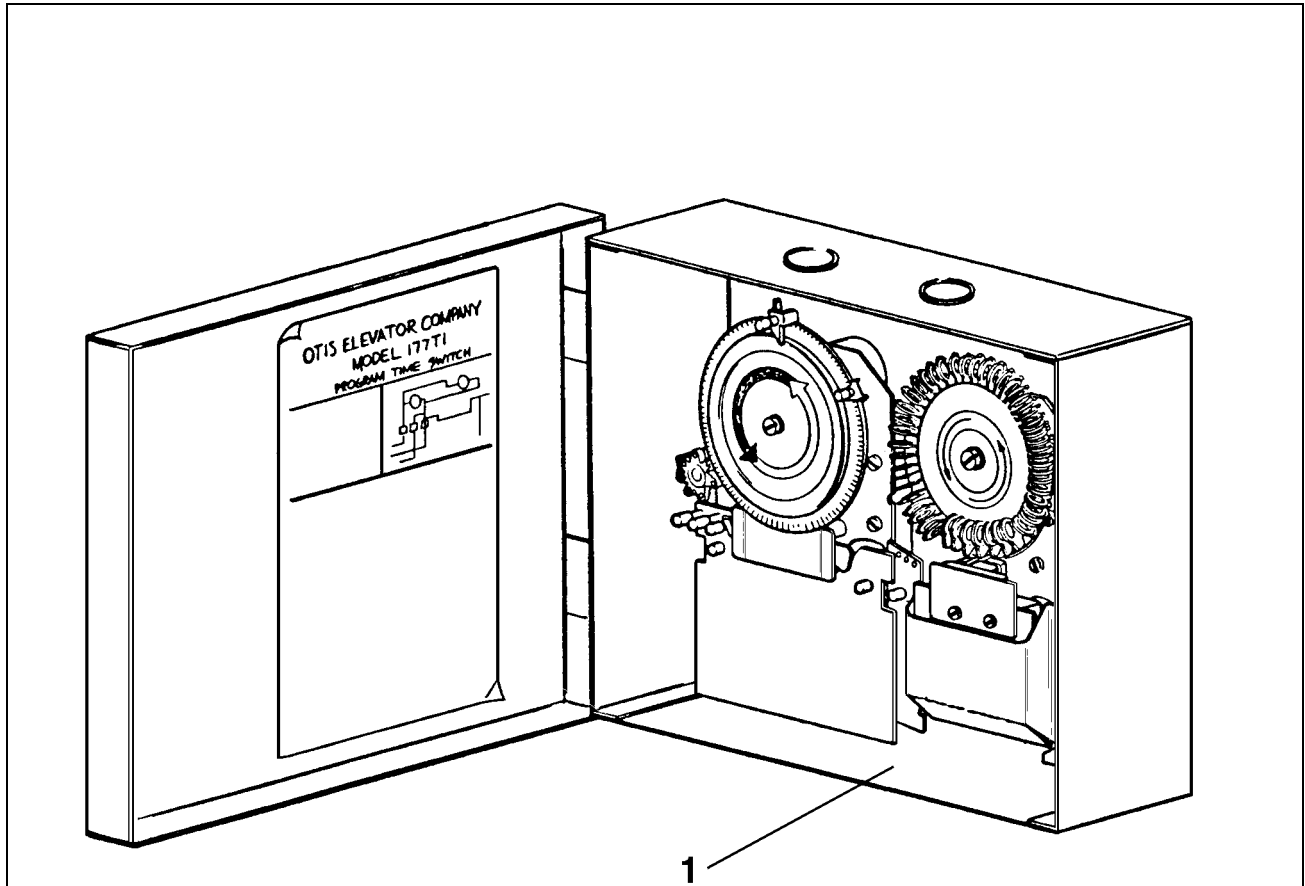
NOTE 3: See AAA21700AL_FMI, Compass for 401 – remove old proc and comm. I/O.



	W/O VINTAGE & VINTAGE Y 01	
REF. No.	PART No.	DESCRIPTION
1	HT203867-4 POWCP429	Power Supply



REF. No.	PART No.	DESCRIPTION	SLOT LOCATION				
			AMPS				
1	HT204406-1	Cable Assembly	---	---			
2	HT2E5150/10-0001	Fuse, Indicating	1.0	2F2	2F3	2F6	2F7
3	HT2E5150/03-0007	Fuse, Slow Blow	0.5	2F1	2F8	2F9	
	HT2E5150/03-0016		2.0	2F4			
	HT2E5150/03-0018		2.5	2F5			
4	HT201175-1	Transformer					



REF. No.	PART No.	DESCRIPTION
	W/O VINTAGE & VINTAGE Y 01	
1	A177T4	Kit, Weekly Timer, includes p/n 623T3 + Drawing 623T
	A177T4	
	2700ADH7	