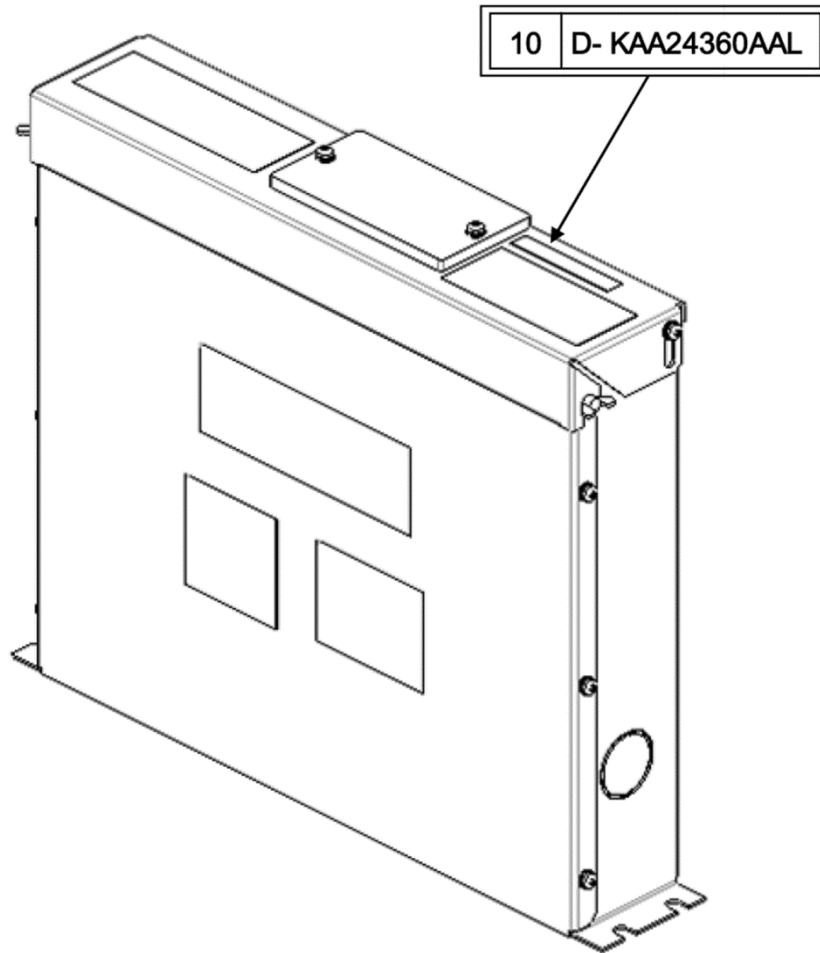


OTIS GLIDE® P Door
Controller

Spare Parts Leaflet
10-KAA24360AAL

October 2, 2019 / Page 1 of 4



OTIS

This document does not contain any
technical data subject to EAR or ITAR

SERVICE ENGINEERING
Otis Elevator Company
Bloomfield, Connecticut USA

Unpublished Work—© Otis Elevator Co.; 2019

Leaflet Description

This leaflet lists the lowest replaceable units (LRUs) for the OTIS GLIDE® P controller.

Leaflet Revisions

Date Revised	Subject Matter Expert	Reason for Revision
September 18, 2013	Sohaib Shaikh	New SPL
September 25, 2013	Sohaib Shaikh	Corrected type DOB instead of DOP in NOTE 4 on p. 3
January 14, 2015	Sohaib Shaikh	Added p/n KP131328DAD on p. 3
August 12, 2015	Sohaib Shaikh	Changed p/n from KP131328DAD to ---31328 --- on p. 3; Added Note 5 on p. 3; Added OMU picture on p. 3.
October 2, 2019	Sohaib Shaikh	Added new p. 4

Related Drawings

Drawing No.	Title	Drawing No.	Title
KAA24360AAL	Door Controller, for OTIS GLIDE P		

Related Documents

Document ID	Title
SPL 23-AAA24460P	OTIS GLIDE® P Door Operator for Mod and Open Order Right Hand Center-Opening
SID00026	Door Operator Electrical Interface Standard
AAA24350CC-FMI	Field Micro Instruction, Electrical, OTIS GLIDE® P Door Operator

Subject Matter Expert

Name	Department
Sohaib Shaikh	OSC Service Engineering

About Spare Parts Leaflets...

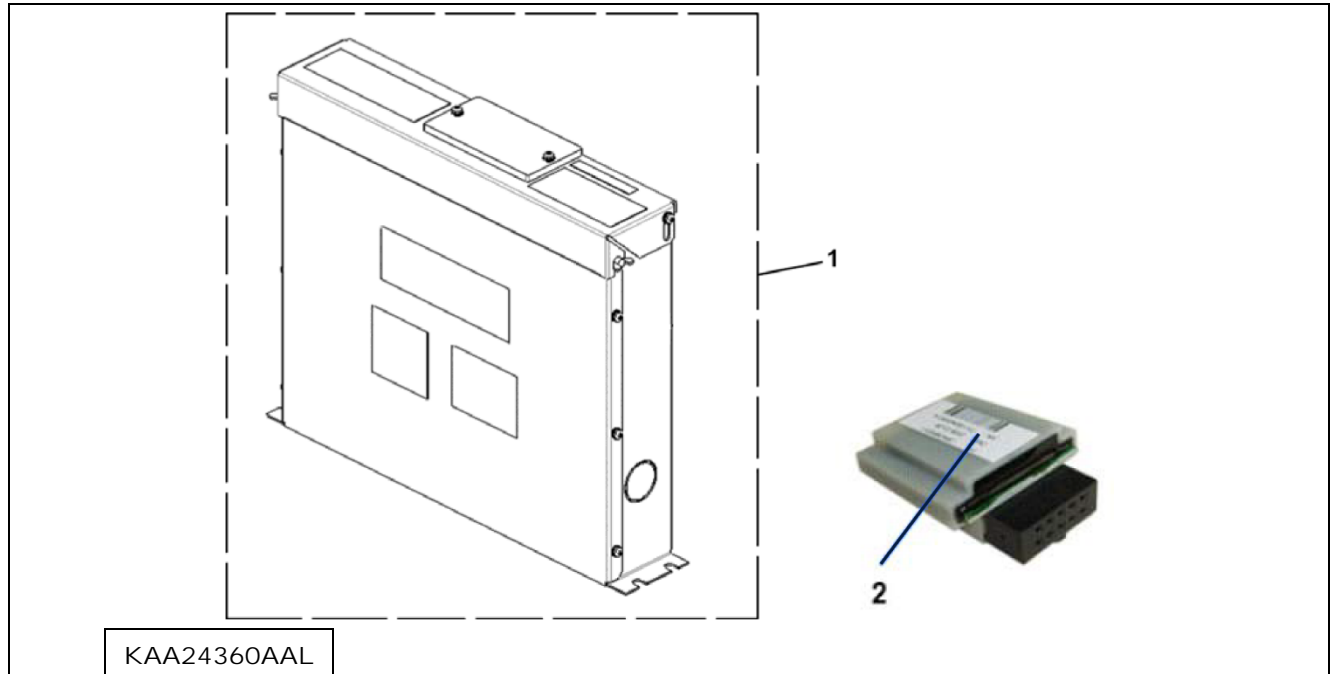
This document lists the lowest replaceable units (LRUs) for the standard version of the product. The LRUs are chosen by a team of Otis associates representing engineering and manufacturing.

While goal of this document is to make parts identification as easy as possible, the document cannot be all-inclusive. Elevator and escalator contracts classified as "special" or "custom" are not addressed here. For such contracts, please refer to specified information, the contract folder, TIPs, Field Education Articles, Construction Letters, etc. for further information.

If you have any suggestions about this document, please contact the subject matter expert listed on this page.

Controller, OTIS GLIDE® P

10-KAA24360AAL



REF. No.	PART No.	DESCRIPTION	APPLICATION	LEARN RUN W/ MOVING MASS DETECTION	DOB ACTIVE STATE (NOTE 2)	EDP ACTIVE STATE (NOTE 3)
1	KAA24360AAL1 (See NOTE 1)	NGPOK Door Controller	NSAA area and all countries except Germany, Austria, Denmark and Spain	Yes	Active High	Active High
	KAA24360AAL2		Germany, Austria, Denmark, and Spain	No	Active Low	Active Low
	KAA24360AAL3 (See NOTE 1)		NSAA area and all countries except Germany, Austria, Denmark and Spain	Yes	Active Low	Active Low
	KAA24360AAL4		Germany, Austria, Denmark, and Spain	No	Active High	Active High
2	---31328--- (See NOTE 5)	OMU w/ Software	KAA24360AAL	N/A		

NOTES:

1. KAA24360AAL1 and KAA24360AAL3 should not be used in these four countries: Germany, Austria, Denmark, and Spain.
2. DOB is considered active high when DOB is held high (connects to VDC) when pressed. DOB is considered active low when DOB is held low (connects to return) when pressed.
3. EDP is considered active high when EDP is held high (connected to VDC) when no obstruction is detected. EDP is considered active low when EDP is held low (connects to return) when no obstruction is detected.
4. DOB and EDP active high/low states can be adjusted in the field using jumpers on the controller PCBA (Jumpers JP1 & JP2 for DOB and jumpers JP5 & JP6 for EDP).
5. Contact OSC to identify the latest revision of software available.



KAA24360AAL

REF. No.	PART No.	DESCRIPTION
1	AAA375CF4	Fuse, F1, 250VAC, 5A
2	AAA646D2	Jumper Shunts w/ Handles for Jumpers J1, J2
---	AAA447AP89	Mating Connector for P1, 3-Position, 5 mm
---	AAA447AP236	Mating Connector for P2, P5, and P16, 3-Position, 3.5 mm
---	AAA447AP235	Mating Connector for P3, P4, P6 and P7, 4-Position, 3.5 mm
---	AAA447AP233	Mating Connector for P8 and P9, 6-Position, 3.5 mm
---	AAA447AP90	Mating Connector for P10, 4-Position, 7.5 mm
---	AAA447AP91	Mating Connector for P11, 5-Position, 7.5 mm
---	AAA447AP293	Mating Connector for P12, 6-Position, 2.5 mm
---	AAA447AP295	Mating Connector for P13, 8-Position, 2.5 mm