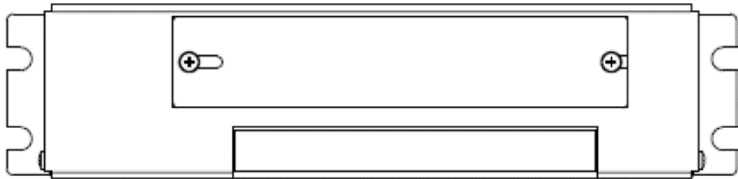


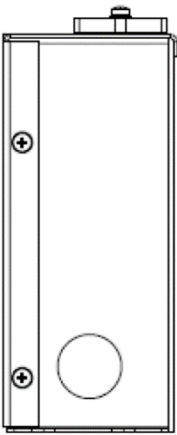
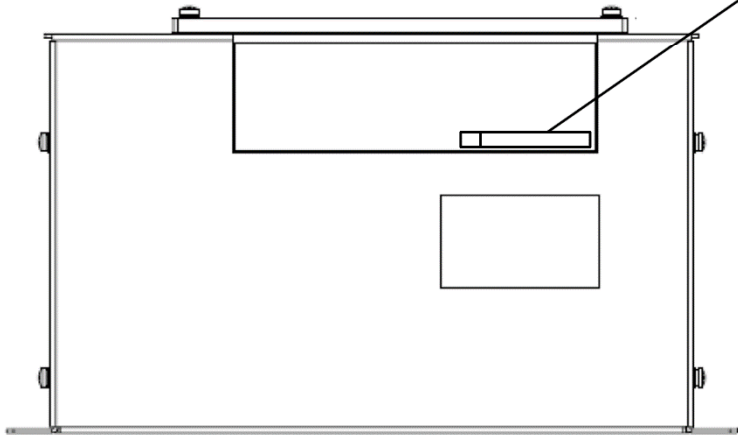
OTIS Glide® A
Door Controller

Spare Parts Leaflet
10-KAA24360ABG

February 6, 2019 / Page 1 of 3



10 D - KAA24360ABG



This document does not contain any
technical data subject to EAR or ITAR

SERVICE ENGINEERING
Otis Elevator Company
Bloomfield, Connecticut USA

Unpublished Work—© Otis Elevator Co.; 2019

Leaflet Description

This SPL details spare parts for the OTIS Glide® A, Door controller.

Leaflet Revisions

Date Revised	Subject Matter Expert	Reason for Revision
July 18, 2012	JeongSeok Oh	Rejected PCBA part in Glide-A SPL list
September 18, 2013	JeongSeok Oh	Updated Information
February 6, 2019	Sohaib Shaikh	Added p/n ---31474--- on p. 3

Related Drawings

Drawing No.	Title	Drawing No.	Title
KAA24360ABG	Glide A Controller Box Assembly		

Related Documents

Document ID	Title
DRS_Controller_NGSOK2_D236	Design Requirements Specification Glide-A Door Controller

Subject Matter Expert

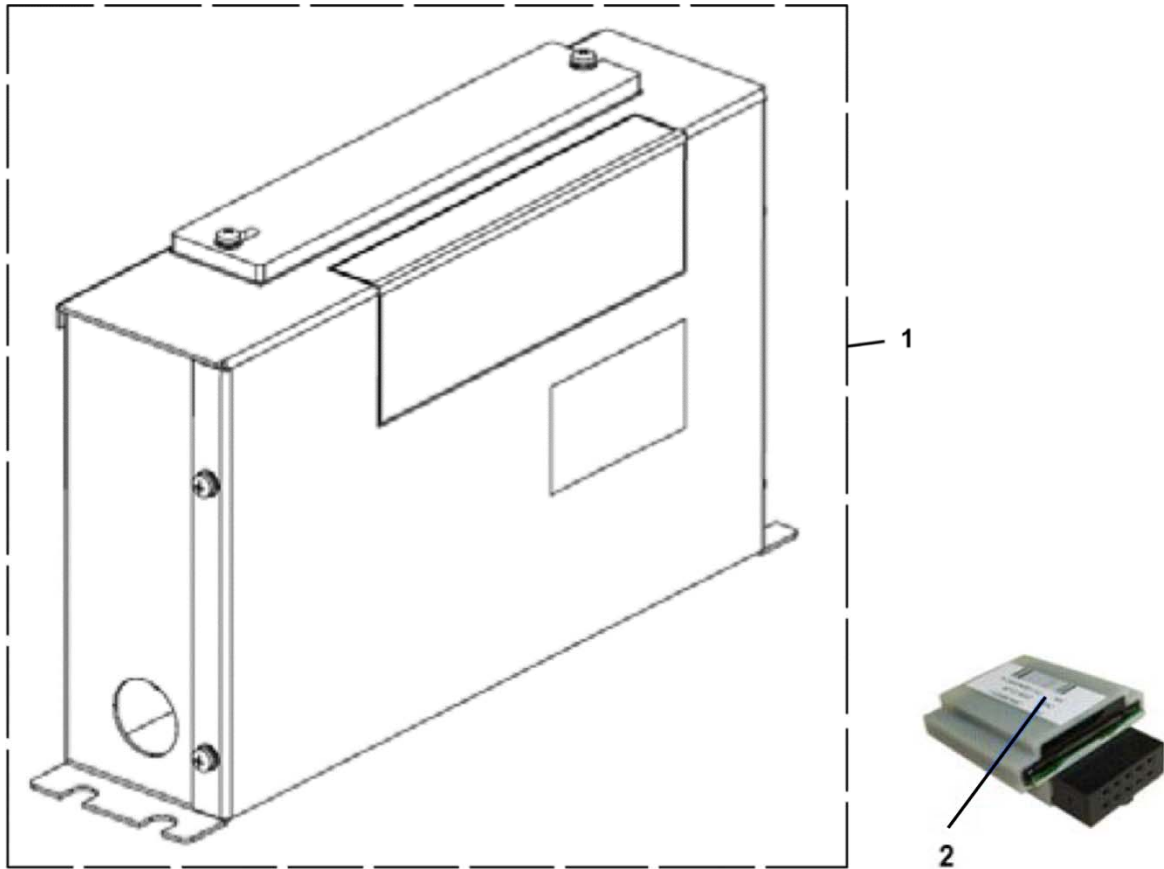
Name	Department
Sohaib Shaikh	OSC Service Engineering

About Spare Parts Leaflets...

This document lists the lowest replaceable units (LRUs) for the standard version of the product. The LRUs are chosen by a team of Otis associates representing engineering and manufacturing.

While goal of this document is to make parts identification as easy as possible, the document cannot be all-inclusive. Elevator and escalator contracts classified as “special” or “custom” are not addressed here. For such contracts, please refer to specified information, the contract folder, TIPs, Field Education Articles, Construction Letters, etc. for further information.

If you have any suggestions about this document, please contact the subject matter expert listed on this page.



REF. No.	PART No.	DESCRIPTION
	KAA24360ABG	
1	KAA24360ABG1	Glide A Controller Box Assembly, NAPA / 3-Wire
	KAA24360ABG2	Glide A Controller Box Assembly, NAPA / Multi-drop
	KAA24360ABG3	Glide A Controller Box Assembly, NAPA / CAN
	KAA24360ABG4	Glide A Controller Box Assembly, NSAA / Discrete
	KAA24360ABG5	Glide A Controller Box Assembly, NSAA / Multi-drop
	KAA24360ABG6	Glide A Controller Box Assembly, NSAA / CAN
2	---31474--- (see NOTE)	OMU w/ Software for Glide® A Controller

NOTE: Contact OSC to identify the latest revision of software available.