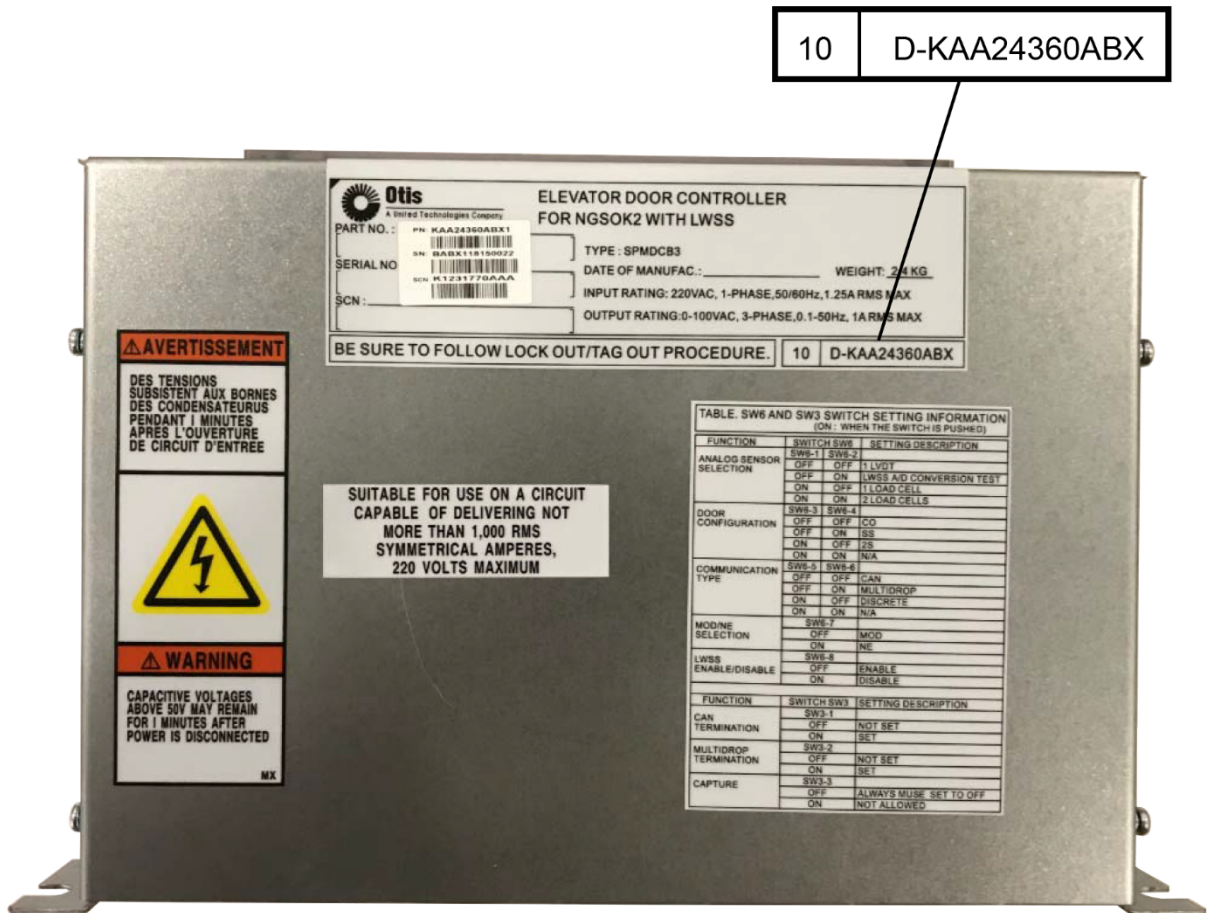


OTIS Glide® A Door
Operator Controller for
Modernization and Open
Order

Spare Parts Leaflet
10-KAA24360ABX

November 27, 2019 / Page 1 of 4



This document does not contain any technical data subject to EAR or ITAR

SERVICE ENGINEERING
Otis Elevator Company
Bloomfield, Connecticut USA

Unpublished Work—© Otis Elevator Co.; 2019

Leaflet Description

This SPL details spare parts for the Otis Glide® A Door operator controller for Modernization and Open Order.

Leaflet Revisions

Date Revised	Subject Matter Expert	Reason for Revision
October 16, 2019	Brian Regan Sohaib Shaikh	New SPL
November 27, 2019	Sohaib Shaikh	Revised description for Ref. 1 on p. 3

Related Drawings

Drawing No.	Title	Drawing No.	Title
KAA24360ABX	Glide-A Controller Box Assembly with LWSS		

Related Documents

Document ID	Title
TIP 22.17.1-1	Glide A for Modernization and Open Order – Part Ordering and Specification

Subject Matter Expert

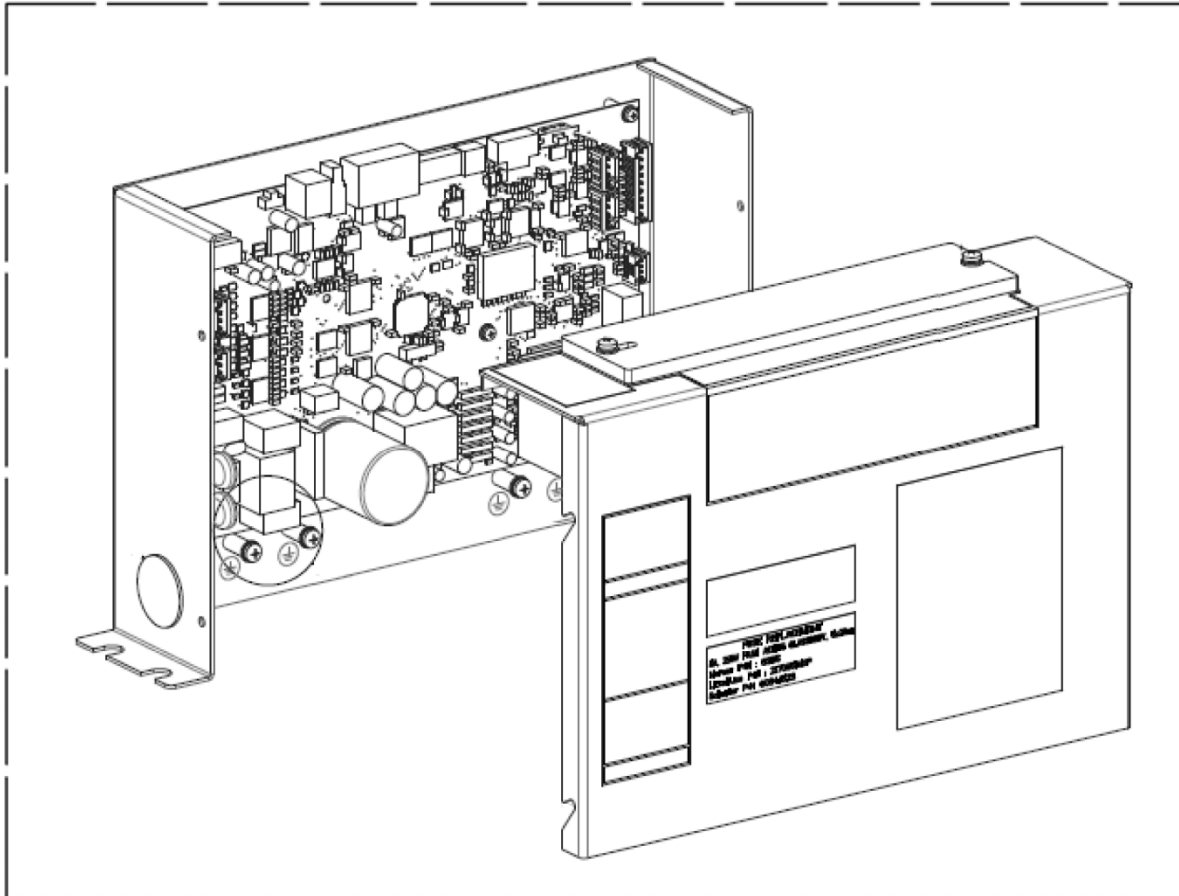
Name	Department
Sohaib Shaikh	OSC Service Engineering

About Spare Parts Leaflets...

This document lists the lowest replaceable units (LRUs) for the standard version of the product. The LRUs are chosen by a team of Otis associates representing engineering and manufacturing.

While goal of this document is to make parts identification as easy as possible, the document cannot be all-inclusive. Elevator and escalator contracts classified as "special" or "custom" are not addressed here. For such contracts, please refer to specified information, the contract folder, TIPs, Field Education Articles, Construction Letters, etc. for further information.

If you have any suggestions about this document, please contact the subject matter expert listed on this page.

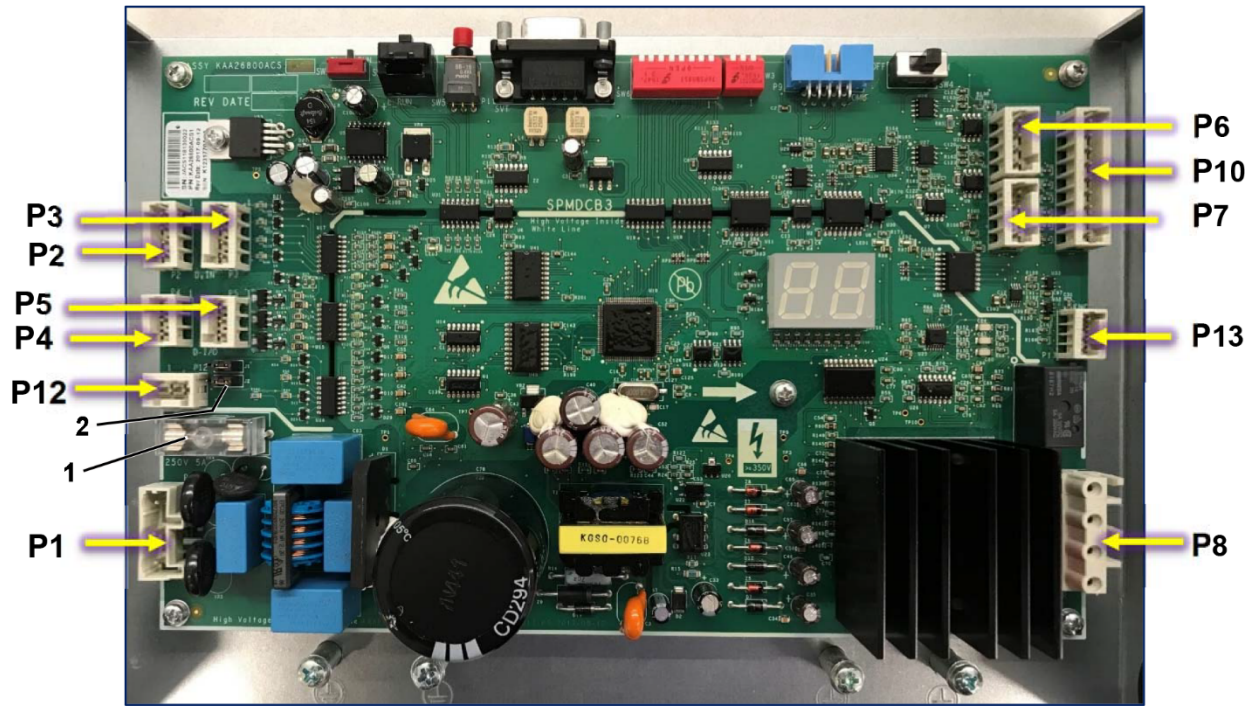


REF. No.	PART No.	DESCRIPTION
1	KAA24360ABX1	Assembly, Glide A Controller, w/ KAA26800ACS PCBA w/ Load Weighing, see NOTE 1
---	---31770---	Otis Memory Unit (OMU), with Application Software, see NOTE 2

NOTE 1: This replaces the New Equipment version of the Glide® A controller box assembly with vintage tag 10-KAA24360ABG_.

NOTE 2: Contact OSC Customer Service to order the latest revision of this software.

Fuse, Jumper Shunts, and Mating Connectors



REF. No.	PART No.	DESCRIPTION
	KAA24360ABX	
1	AAA375CF4	Fuse, F1, 250 VAC, 5A
2	AAA646D2	Jumper Shunts, w/ Handles for Jumpers J1, and J2
--	AAA447AP89	Mating Connector for Power Input P1, 3-Position, 5 mm
	AAA447AP235	Mating Connector for P2, P3, P6, and P7, 4-Position, 3.5 mm
	AAA447AP236	Mating Connector for P4, P5, and P12, 3-Position, 3.5 mm
	AAA176HH77	Mating Connector for P8, 4-Position, 7.5 mm
	AAA447AP416	Mating Connector for P10, 9-Position, 3.5 mm
	AAA447AP291	Mating Connector for P13, 4-Position, 2.5 mm