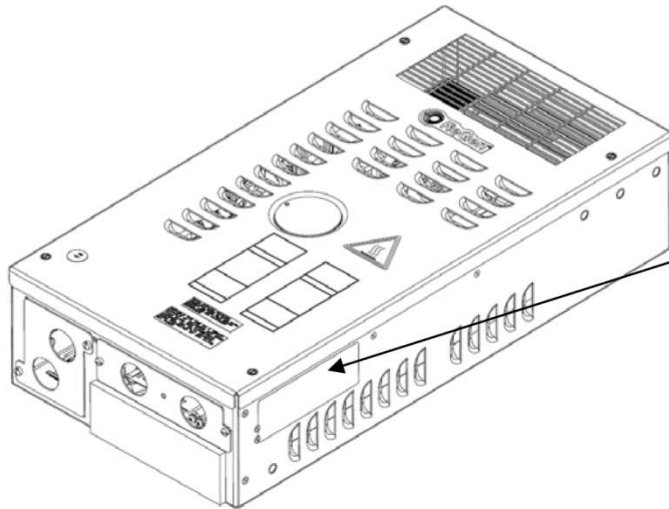


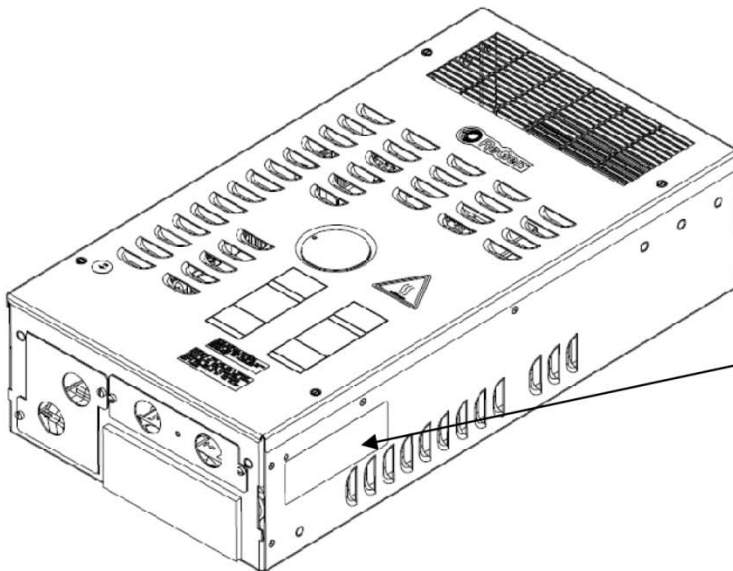
# Low Cost Regenerative Drive Assembly

Spare Parts Leaflet  
 10-KDA21310AAL

June 16, 2011 / Page 1 of 7



10	<b>KDA21310</b>	<b>AAL</b>
10	<b>KDA21310</b>	<b>AAT</b>



10	<b>KCA21310</b>	<b>AAN</b>
10	<b>KCA21310</b>	<b>AAV</b>

Unpublished Work—© Otis Elevator Co.; 2011



Safety First!

ENGINEERING CENTER  
 Otis Elevator Company  
 KOREA

## Leaflet Description

This leaflet provides spare part information on the KDA21310AAL/AAT and KCA21310AAN/AAV Low Cost Regenerative Drives (LCRD) product. There are 4 drive ratings in LCRD and 4 arrangements in each drive rating. There are slight variations within each drive type and arrangement.

**NOTE:** This leaflet was adapted from a similar Korean SPL for NSAA use.

## Leaflet Revisions

Date Revised	Subject Matter Expert	Reason for Revision
December 12, 2008	JeongKi Shin	New SPL
April 1, 2009	JeongKi Shin	GDCB was revised from ACA to ADA
June 30, 2010	JeongKi Shin	Drive assembly were redesigned to KDA and KCA
June 16, 2011	JeongKi Shin	Updated Information

## Related Drawings

Drawing No.	Title	Drawing No.	Title
KDA21310AAL	Low Cost Regenerative Drive Assembly (15A), OVFR02B-401	KDA21310AAT	Low Cost Regenerative Drive Assembly (20A), OVFR02B-402
KCA21310AAN	Low Cost Regenerative Drive Assembly (30A), OVFR02B-403	KCA21310AAV	Low Cost Regenerative Drive Assembly (40A), OVFR02B-404

## Related Documents

Document ID	Title
---	---

## Subject Matter Expert

Name	Department
JeongKi Shin	Otis Engineering Center - KOREA

## About Spare Parts Leaflets...

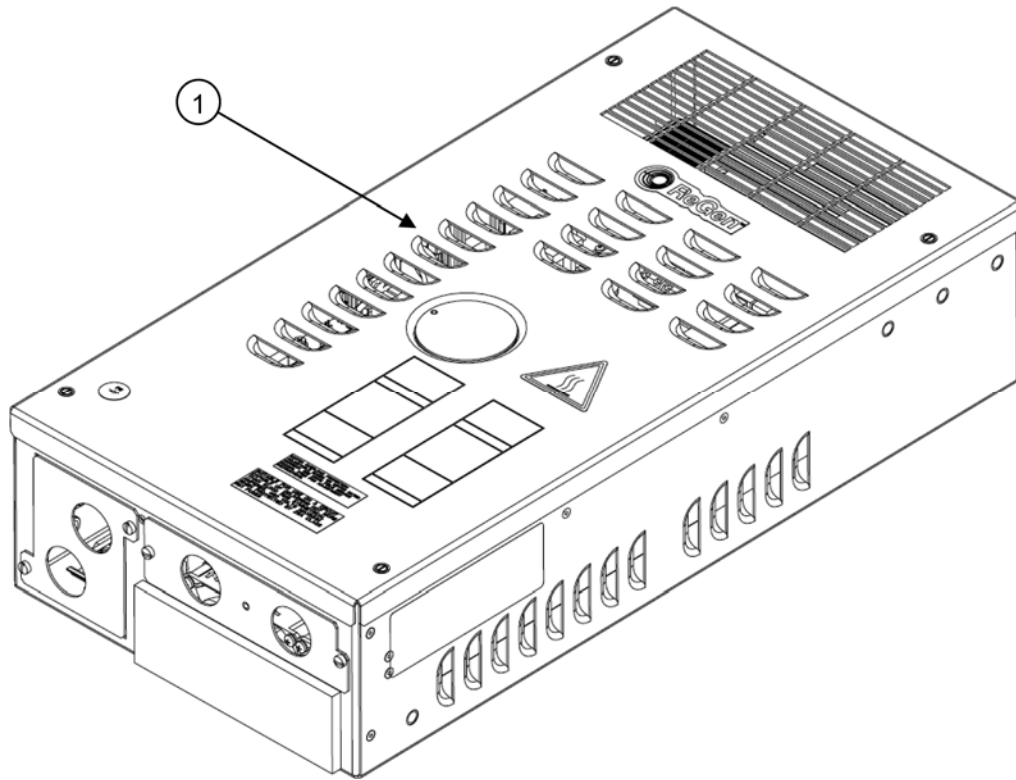
This document lists the lowest replaceable units (LRUs) for the standard version of the product. The LRUs are chosen by a team of Otis associates representing engineering and manufacturing.

While goal of this document is to make parts identification as easy as possible, the document cannot be all-inclusive. Elevator and escalator contracts classified as "special" or "custom" are not addressed here. For such contracts, please refer to specified information, the contract folder, TIPS, Field Education Articles, Construction Letters, etc. for further information.

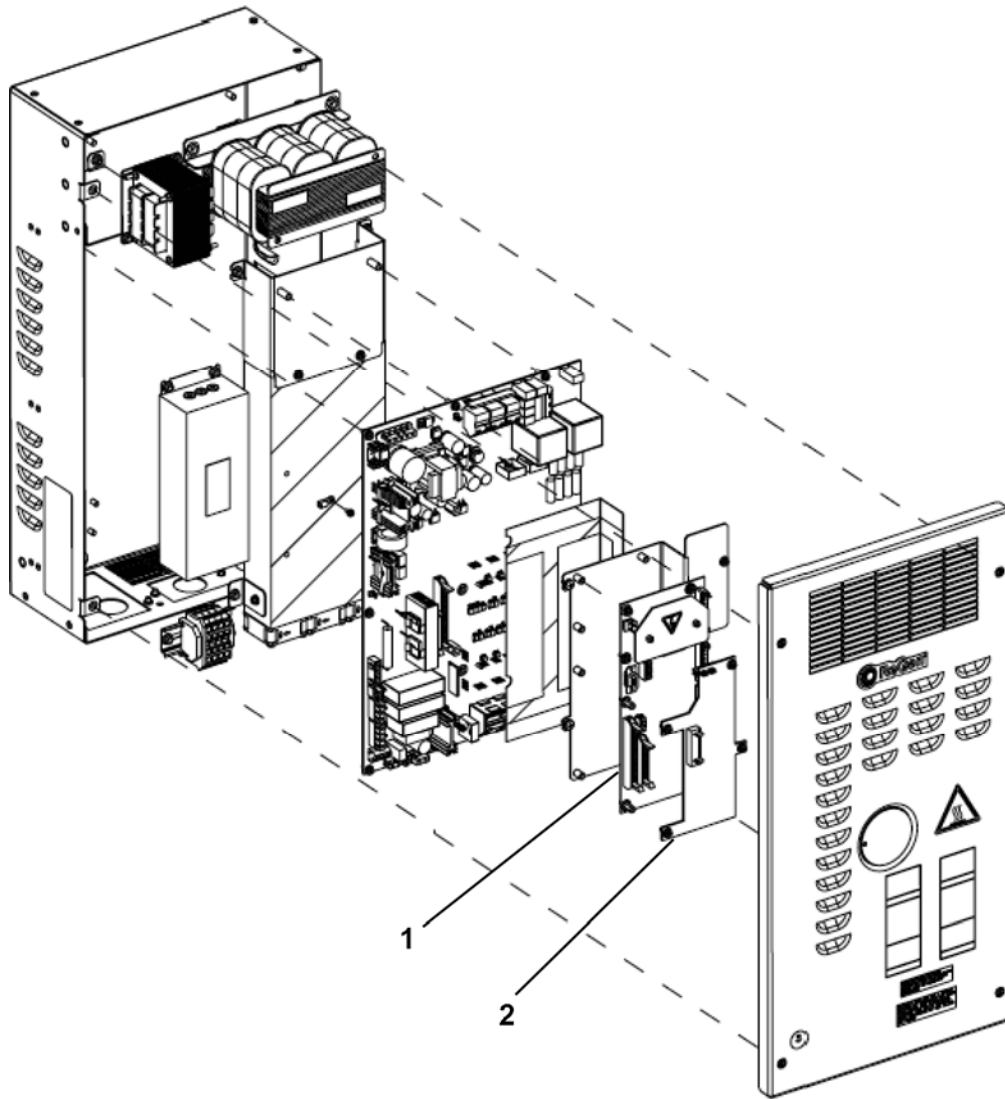
If you have any suggestions about this document, please contact the subject matter expert listed on this page.

# Low Cost Regen Drive

10-KDA21310AAL



VINTAGE							
15 Arms / 7 Arms		20 Arms / 10 Arms		30 Arms / 15 Arms		40 Arms / 20 Arms	
REF. No.	PART No.				APPLICATION		
1	KAA21310AAL1 KBA21310AAL1 KCA21310AAL1 KDA21310AAL1	KAA21310AAT1 KBA21310AAT1 KCA21310AAT1 KDA21310AAT1	KAA21310AAN1 KBA21310AAN1 KCA21310AAN1	KAA21310AAV1 KBA21310AAV1 KCA21310AAV1	EN		
	KAA21310AAL2 KBA21310AAL2 KCA21310AAL2 KDA21310AAL2	KAA21310AAT2 KBA21310AAT2 KCA21310AAT2 KDA21310AAT2	KAA21310AAN2 KBA21310AAN2 KCA21310AAN2	KAA21310AAV2 KBA21310AAV2 KCA21310AAV2	CSA		
	KAA21310AAL3 KBA21310AAL3 KCA21310AAL3 KDA21310AAL3	KAA21310AAT3 KBA21310AAT3 KCA21310AAT3 KDA21310AAT3	KAA21310AAN3 KBA21310AAN3 KCA21310AAN3	KAA21310AAV3 KBA21310AAV3 KCA21310AAV3	JIS		
	KAA21310AAL4 KBA21310AAL4 KCA21310AAL4 KDA21310AAL4	KAA21310AAT4 KBA21310AAT4 KCA21310AAT4 KDA21310AAT4	KAA21310AAN4 KBA21310AAN4 KCA21310AAN4	KAA21310AAV4 KBA21310AAV4 KCA21310AAV4	EN		
	KDA21310AAL5	KDA21310AAT5	KCA21310AAN5	KCA21310AAV5	JIS for Gen2 Comfort		

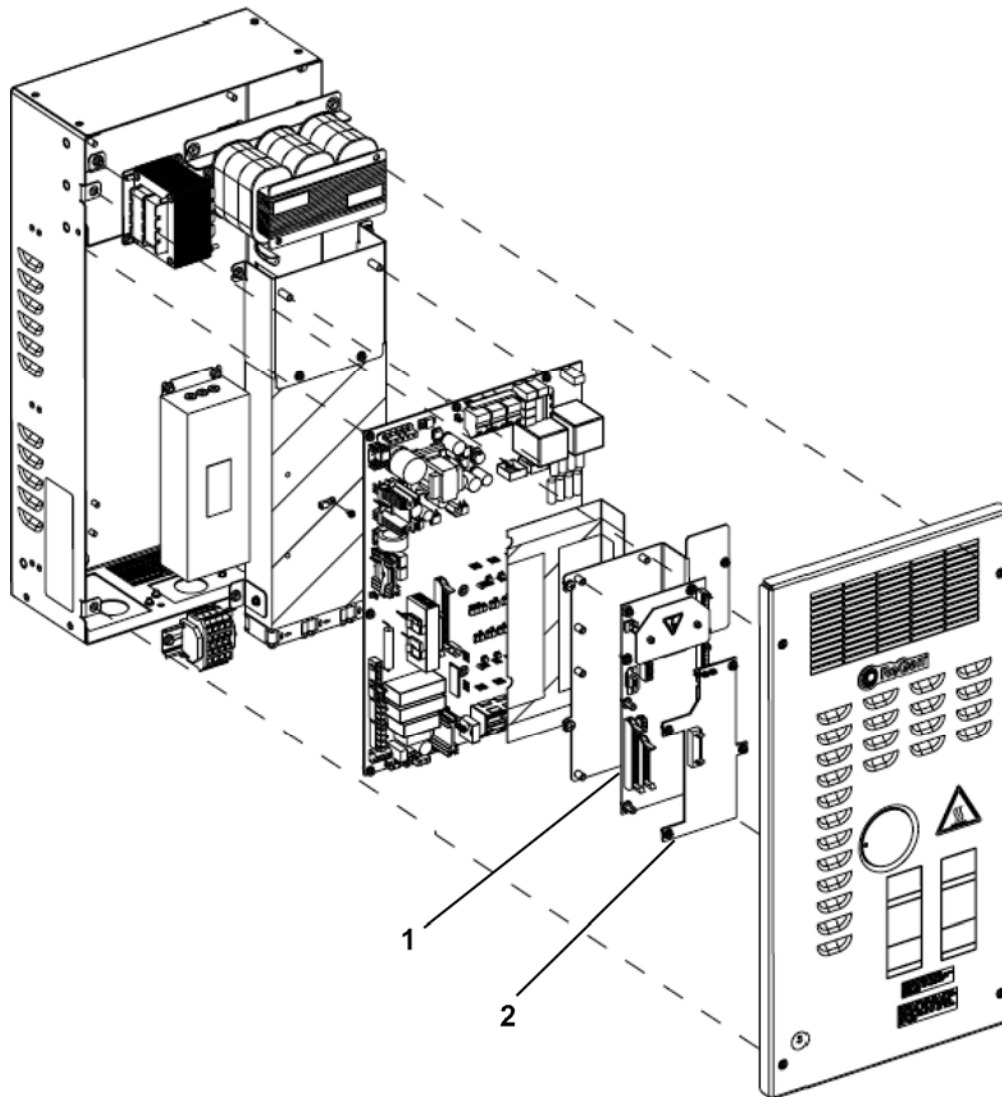


EN	CSA	JIS	EN	JIS Gen2 Comfort
KAA21310AAL1 KBA21310AAL1 KCA21310AAL1 KDA21310AAL1	KAA21310AAL2 KBA21310AAL2 KCA21310AAL2 KDA21310AAL2	KAA21310AAL3 KBA21310AAL3 KCA21310AAL3 KDA21310AAL3	KAA21310AAL4 KBA21310AAL4 KCA21310AAL4 KDA21310AAL4	KDA21310AAL5

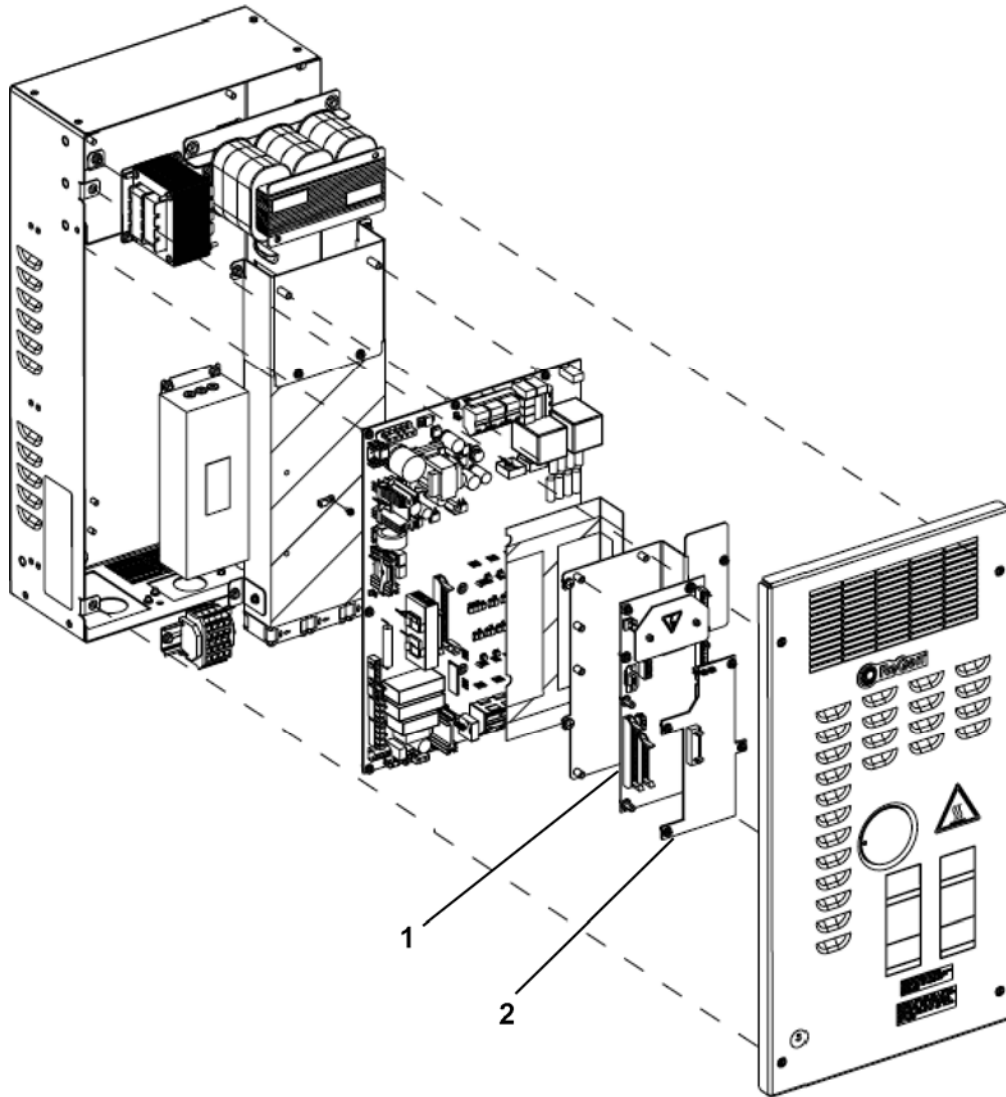
REF. No.	PART No.				Description
1	ACA26800AKT4 ADA26800AKT2 AEA26800AKT2	ACA26800AKT4 ADA26800AKT4 AEA26800AKT1	ACA26800AKT4 ADA26800AKT2 AEA26800AKT2	ACA26800AKT4 ADA26800AKT2 AEA26800AKT2	AEA26800AKT2 GDCB
2	---	AAA26800AQN2 ABA26800AQN2	AAA26800AQN2 ABA26800AQN2	AAA26800AQN2 ABA26800AQN2	ABA26800AQN2 CEIB

# Low Cost Regen Drive

10-KDA21310AAL

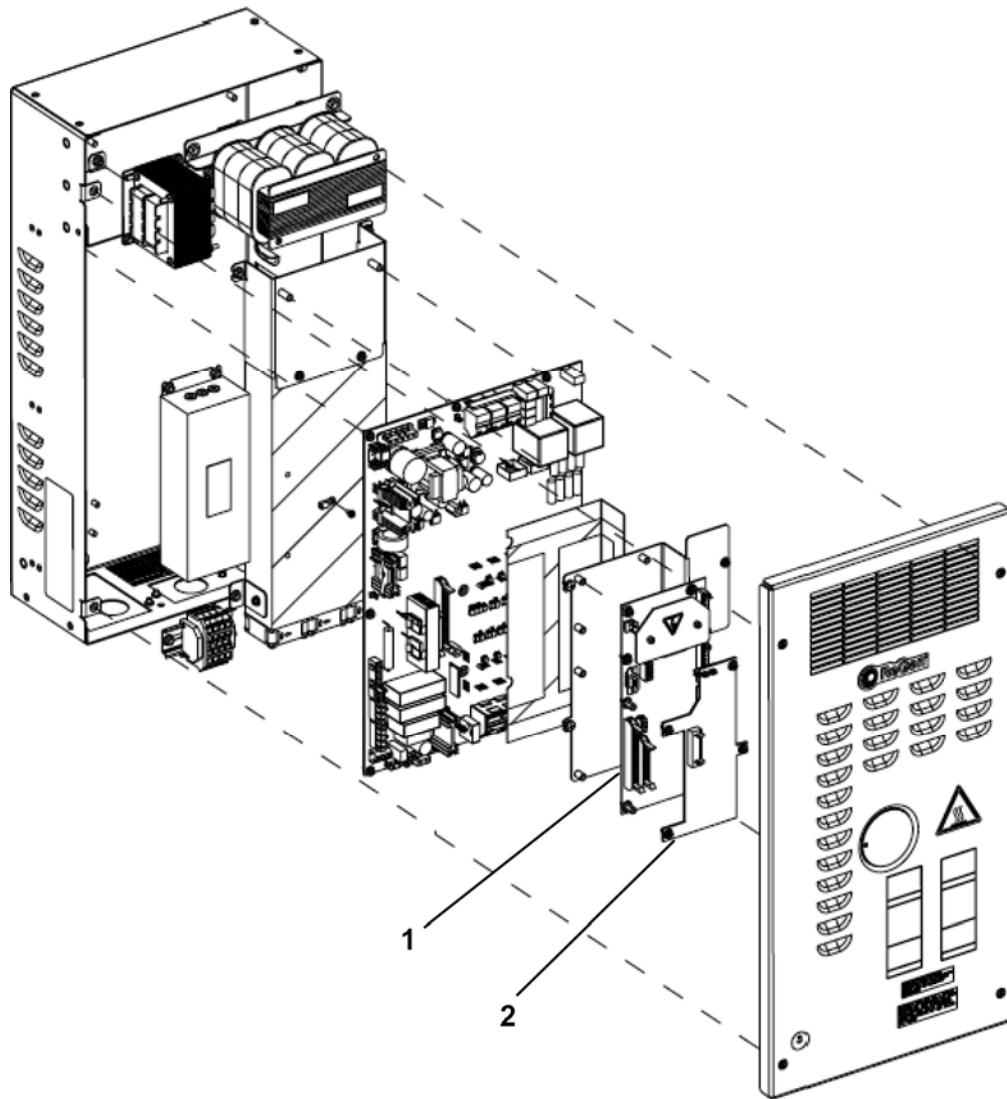


	EN	CSA	JIS	EN	JIS Gen2 Comfort	
	KAA21310AAT1 KBA21310AAT1 KCA21310AAT1 KDA21310AAT1	KAA21310AAT2 KBA21310AAT2 KCA21310AAT2 KDA21310AAT2	KAA21310AAT3 KBA21310AAT3 KCA21310AAT3 KDA21310AAT3	KAA21310AAT4 KBA21310AAT4 KCA21310AAT4 KDA21310AAT4	KDA21310AAT5	
REF. No.	PART No.					Description
1	ACA26800AKT1 ADA26800AKT2 AEA26800AKT2	ACA26800AKT1 ADA26800AKT1 AEA26800AKT1	ACA26800AKT1 ADA26800AKT2 AEA26800AKT2	ACA26800AKT1 ADA26800AKT2 AEA26800AKT2	AEA26800AKT2	GDCB
2	---	AAA26800AQN2 ABA26800AQN2	AAA26800AQN2 ABA26800AQN2	AAA26800AQN2 ABA26800AQN2	ABA26800AQN2	CEIB



EN	CSA	JIS	EN	JIS Gen2 Comfort
KAA21310AAN1 KBA21310AAN1 KCA21310AAN1 KDA21310AAN1	KAA21310AAN2 KBA21310AAN2 KCA21310AAN2 KDA21310AAN2	KAA21310AAN3 KBA21310AAN3 KCA21310AAN3 KDA21310AAN3	KAA21310AAN4 KBA21310AAN4 KCA21310AAN4 KDA21310AAN4	KDA21310AAN5

REF. No.	PART No.				Description
1	ACA26800AKT1 ADA26800AKT2 AEA26800AKT2	ACA26800AKT1 ADA26800AKT1 AEA26800AKT1	ACA26800AKT1 ADA26800AKT2 AEA26800AKT2	ACA26800AKT1 ADA26800AKT2 AEA26800AKT2	AEA26800AKT2 GDCB
2	---	AAA26800AQN2 ABA26800AQN2	AAA26800AQN2 ABA26800AQN2	AAA26800AQN2 ABA26800AQN2	ABA26800AQN2 CEIB



	EN	CSA	JIS	EN	JIS Gen2 Comfort	
	KAA21310AAV1 KBA21310AAV1 KCA21310AAV1 KDA21310AAV1	KAA21310AAV2 KBA21310AAV2 KCA21310AAV2 KDA21310AAV2	KAA21310AAV3 KBA21310AAV3 KCA21310AAV3 KDA21310AAV3	KAA21310AAV4 KBA21310AAV4 KCA21310AAV4 KDA21310AAV4	KDA21310AAV5	
REF. No.	PART No.					Description
1	ACA26800AKT1 ADA26800AKT2 AEA26800AKT2	ACA26800AKT1 ADA26800AKT1 AEA26800AKT1	ACA26800AKT1 ADA26800AKT2 AEA26800AKT2	ACA26800AKT1 ADA26800AKT2 AEA26800AKT2	AEA26800AKT2	GDCB
2	---	AAA26800AQN2 ABA26800AQN2	AAA26800AQN2 ABA26800AQN2	AAA26800AQN2 ABA26800AQN2	ABA26800AQN2	CEIB