

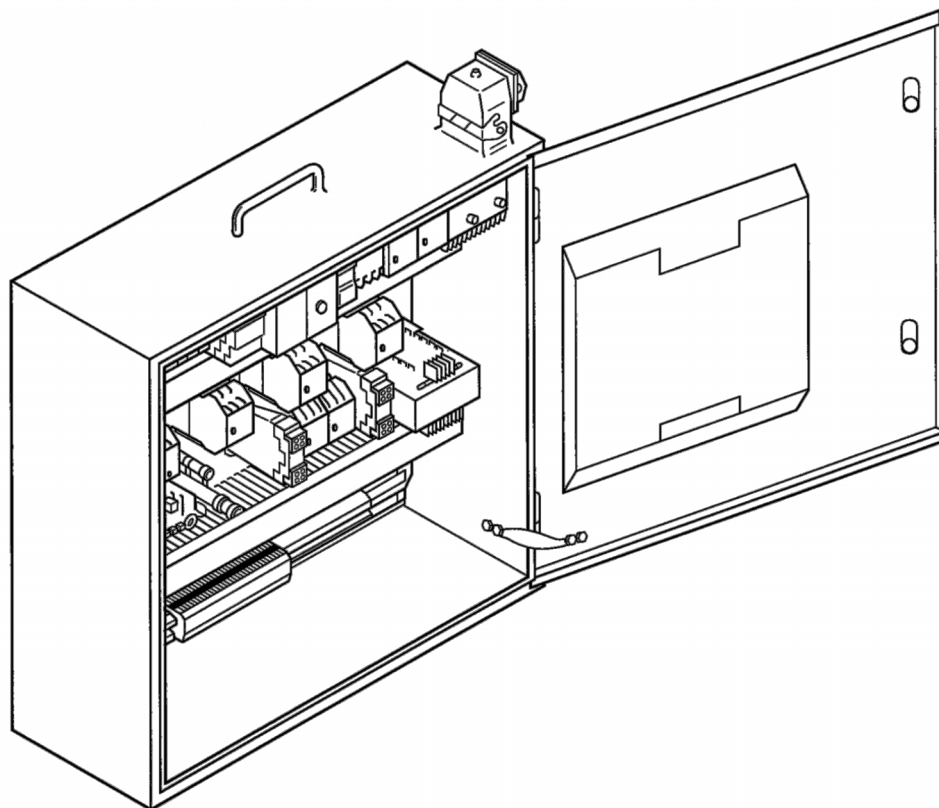
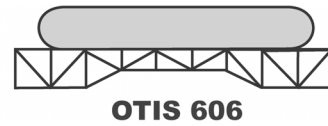
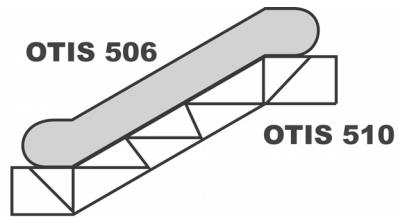
Relay Controller (NAO)

Spare Parts Leaflet

10-YYGO9703BC

August 15, 2005 / Page 1 of 8

Supersedes SPL 10-YYGO9703BC Dated October 27, 2004



Unpublished Work—© Otis Elevator Co.; 2005

OTIS

Safety First!

SERVICE ENGINEERING

Otis Elevator Company

Bloomfield, Connecticut USA

Leaflet Description

The leaflet describes the OSC supported parts for the YYGO9703BC controller.

Leaflet Revisions

Date Revised	Subject Matter Expert	Reason for Revision
June 1997	---	New SPL
October 27, 2004	Val Minnes	p. 5 p/n 9619E3 superseded by p/n EA1100-S923
August 15, 2005	John Dwyer	p.5, Ref. No. 29 p/n GO613AN224 was GO613AP224

Related Drawings

Drawing No.	Title	Drawing No.	Title
YYGO9703BC	Controller Assembly		

Related Documents

Document ID	Title
---	---

Subject Matter Expert

Name	Department
John Dwyer	OSC Electrical Engineering

About Spare Parts Leaflets...

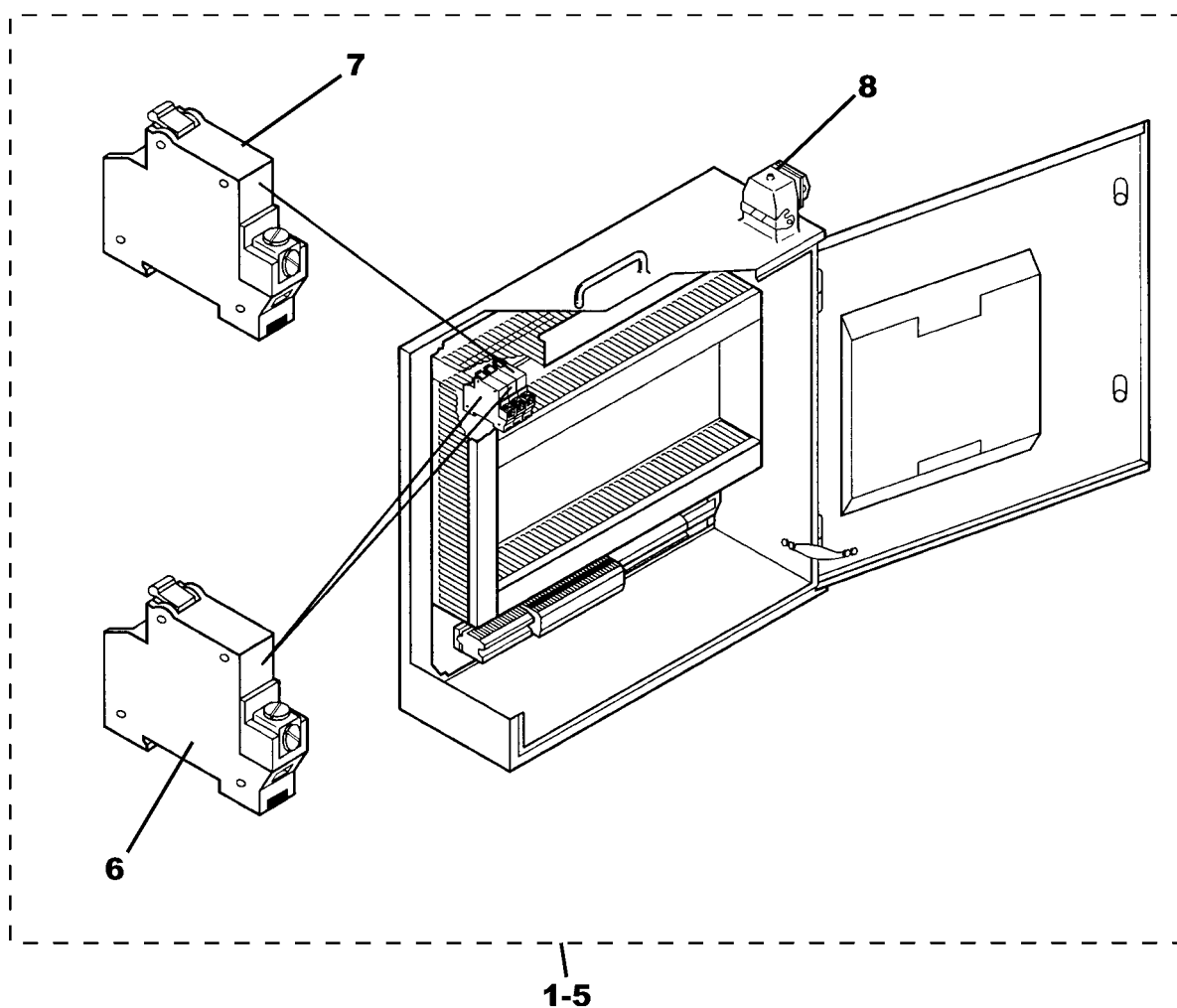
This document lists the lowest replaceable units (LRUs) for the standard version of the product. The LRUs are chosen by a team of Otis associates representing engineering and manufacturing.

While goal of this document is to make parts identification as easy as possible, the document cannot be all-inclusive. Elevator and escalator contracts classified as "special" or "custom" are not addressed here. For such contracts, please refer to specified information, the contract folder, TIPs, Field Education Articles, Construction Letters, etc. for further information.

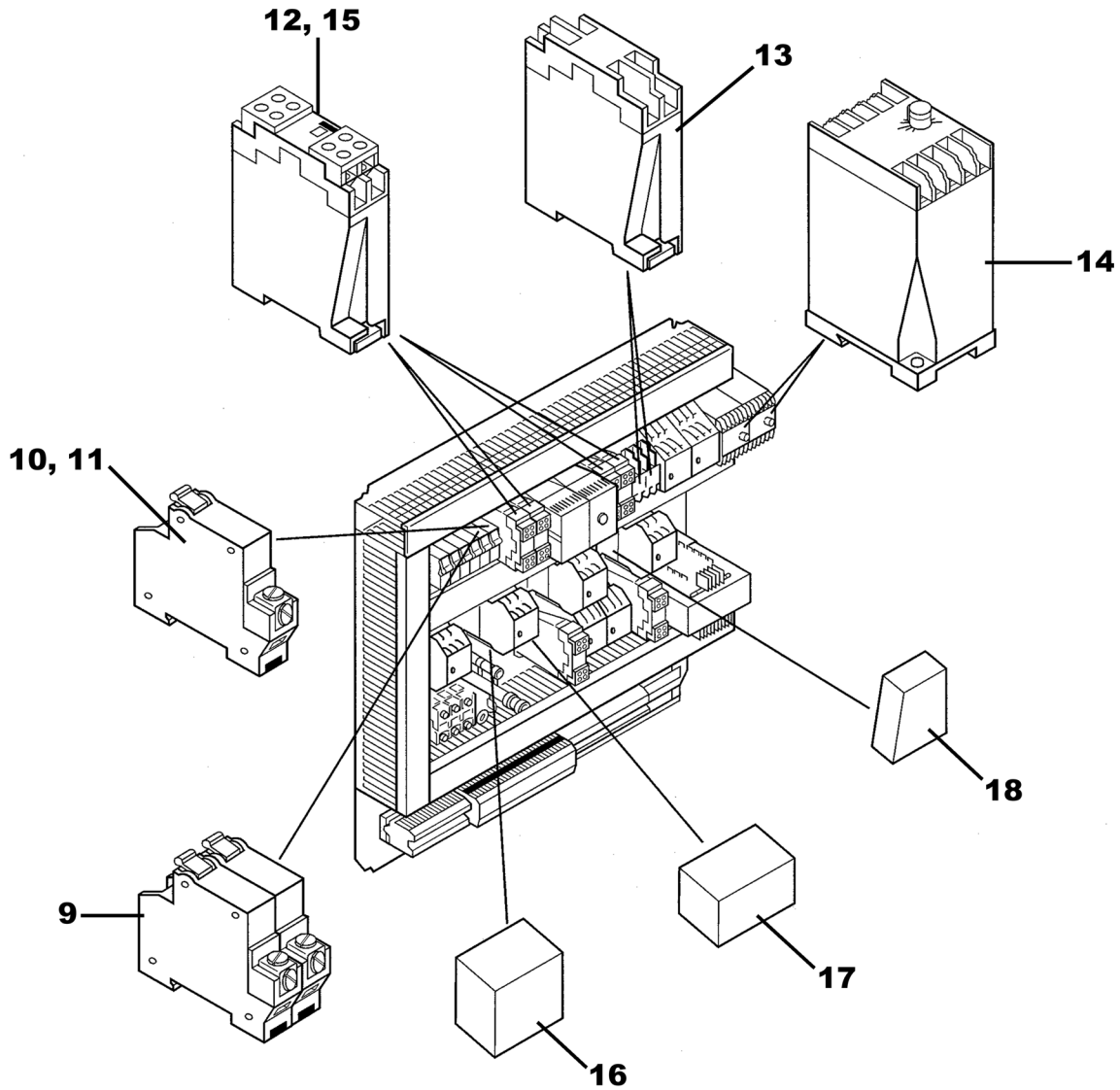
If you have any suggestions about this document, please contact the subject matter expert listed on this page.

Controller Cabinet

10-YYG09703BC



VINTAGE G.01					
REF. No.	PART No.	DESCRIPTION			
			Volt	Motor -Power	Motor- connection
1	GO9703BC1	Controller cabinet	350-660	7,5 kW	Y or Δ
2	GO9703BC2	Controller cabinet	380-660	11,7 kW	Y / Δ
3	GO9703BC3	Controller cabinet	190-260	7,5 kW	Y or Δ
4	GO9703BC4	Controller cabinet	190-379	11,5 kW	Y / Δ
5	GO9703BC5	Controller cabinet	190-260	7,5 kW	Y or Δ
6	GO375Y4	Fuse (EA51G1A) (F1 and F2)			
	GAA637Z4	Circuit Breaker, Single-Pole, N-Type AC Miniature			
7	GO375Y6	Fuse EA51G2A (F3)			
8	GO190BH4	Inspection Plug (See SPL 10-9701KH)			

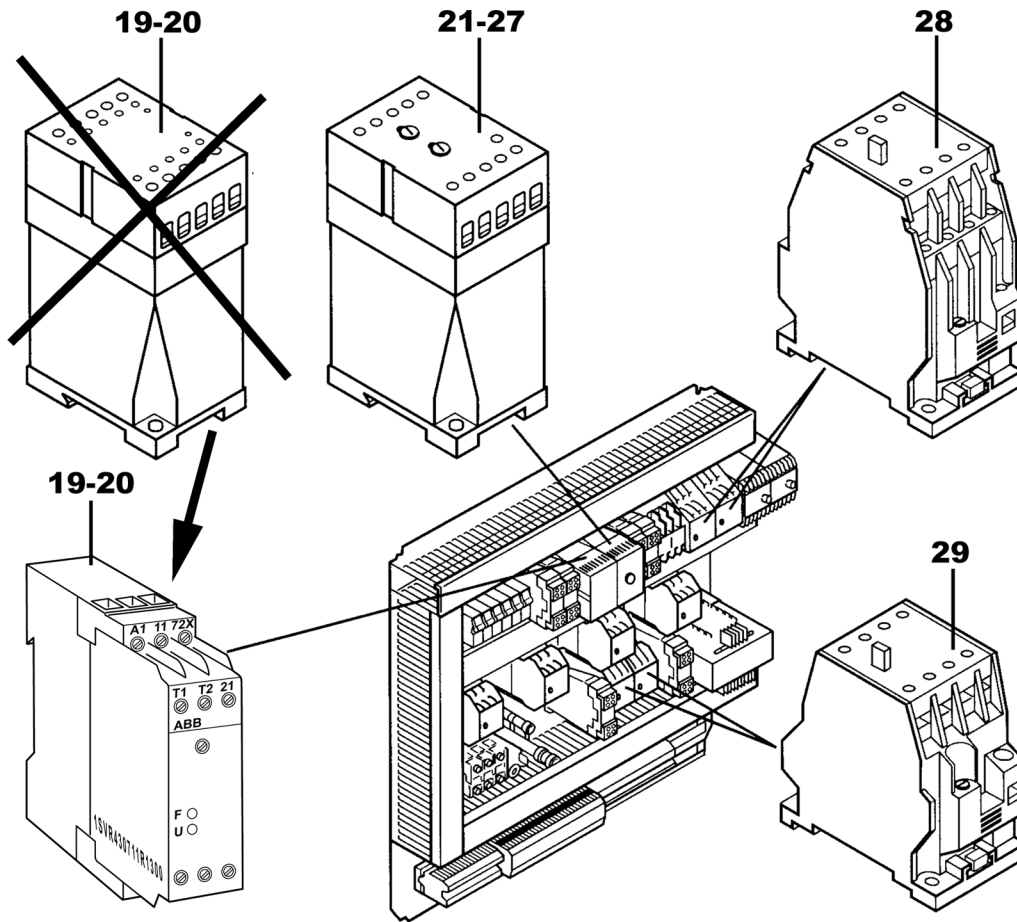


VINTAGE G.01

REF No.	PART No.	DESCRIPTION
9	GO375W7	Fuse EA 52L 6A (F5)
10	GO375Y2	Fuse EA 51 G0, 5A (F6)
11	GO375Y10	Fuse EA 51 G4A
12	GO613AC2	Time relay (MLT, EB, SP, OBR)
13	GO613AC5	Relay (XDX, LRX, KMX, XASN, XOBR)
14	GO613AC8	Time relay (1TR, 2TR)
15	26-732	Time relay (FRD, YBDC, XFRD, EBR, MBN, MBS)
16	NAO1111	Pulse Sensitive Relay (1SHD, 2SHD)
17	NAO1110	Time Relay (3SHD, 4SHD, 5SHD)
18	EA1101-G001	Time Relay (XEB, MFN)

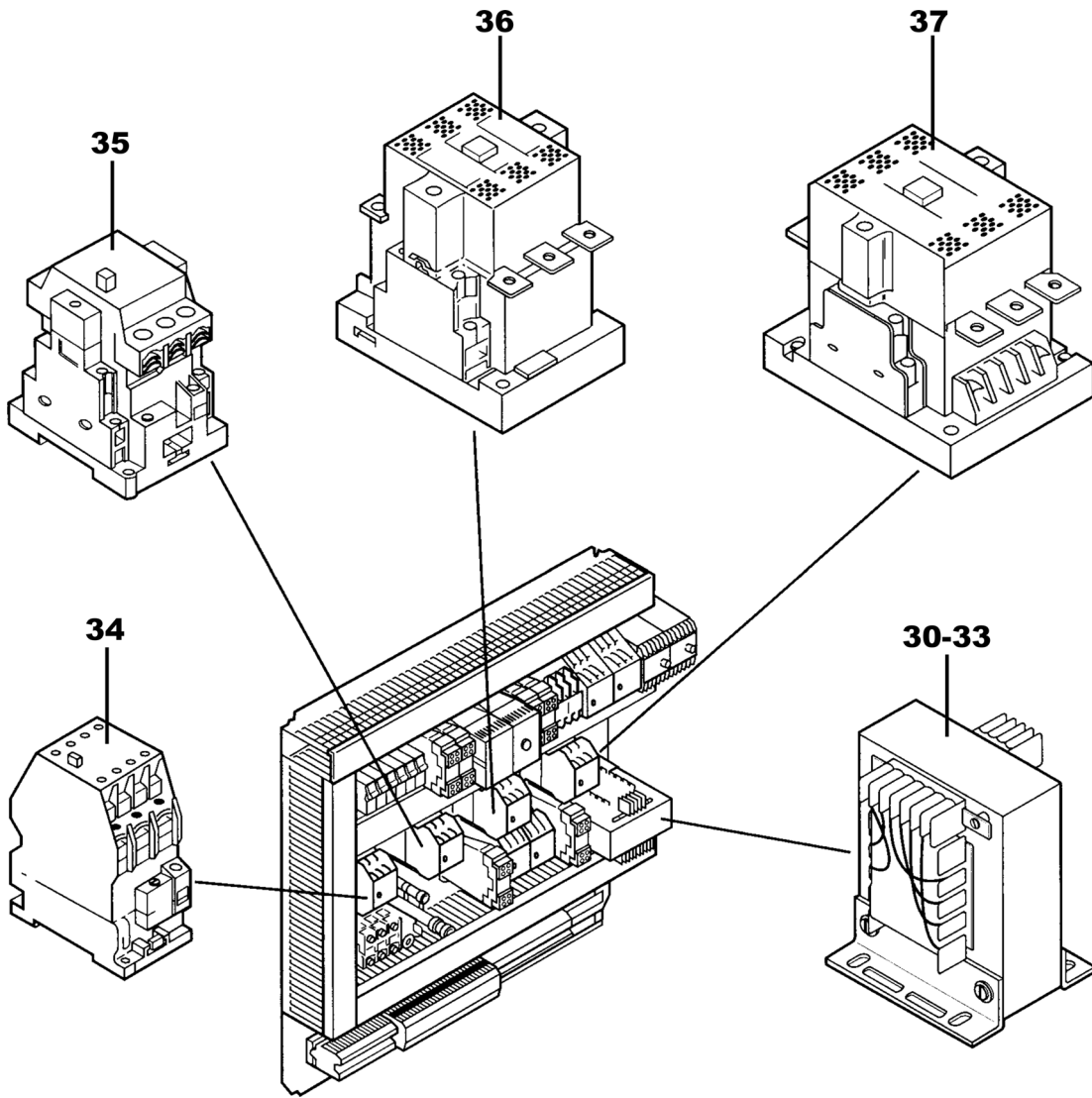
Asymmetric Relays

10-YYG09703BC




VINTAGE G.01		DESCRIPTION	
REF. NO.	PART OR M.L.	DESCRIPTION	
19	9649E3	Motor Thermic Device (Type MSN) Max 250, 45 mm Wide NOTE	CSA Approved (MSN)
20	EA1100-S923	Motor Thermic Device (Type MSS) Max 380, 22.5 mm Wide	
21	9703DD102	Asymmetric Relay 208V	60Hz (ASN) (RPR) Reverse Phase Relay
22	9703DD103	Asymmetric Relay 220V	
23	9703DD106	Asymmetric Relay 380V	
24	9703DD108	Asymmetric Relay 415V	
25	9703DD109	Asymmetric Relay 440V	
26	9703DD110	Asymmetric Relay 460V	
27	9703DD111	Asymmetric Relay 480V	Part Leaflet 10-GO613AD-AW
28	GO613AP444	Relay 220V/60Hz (UX, DX)	
29	GO613AN224	Relay 220V/60Hz (XBDC, XBDC1)	

NOTE: Part supplied till stock exhausted and then substituted with reference 20.

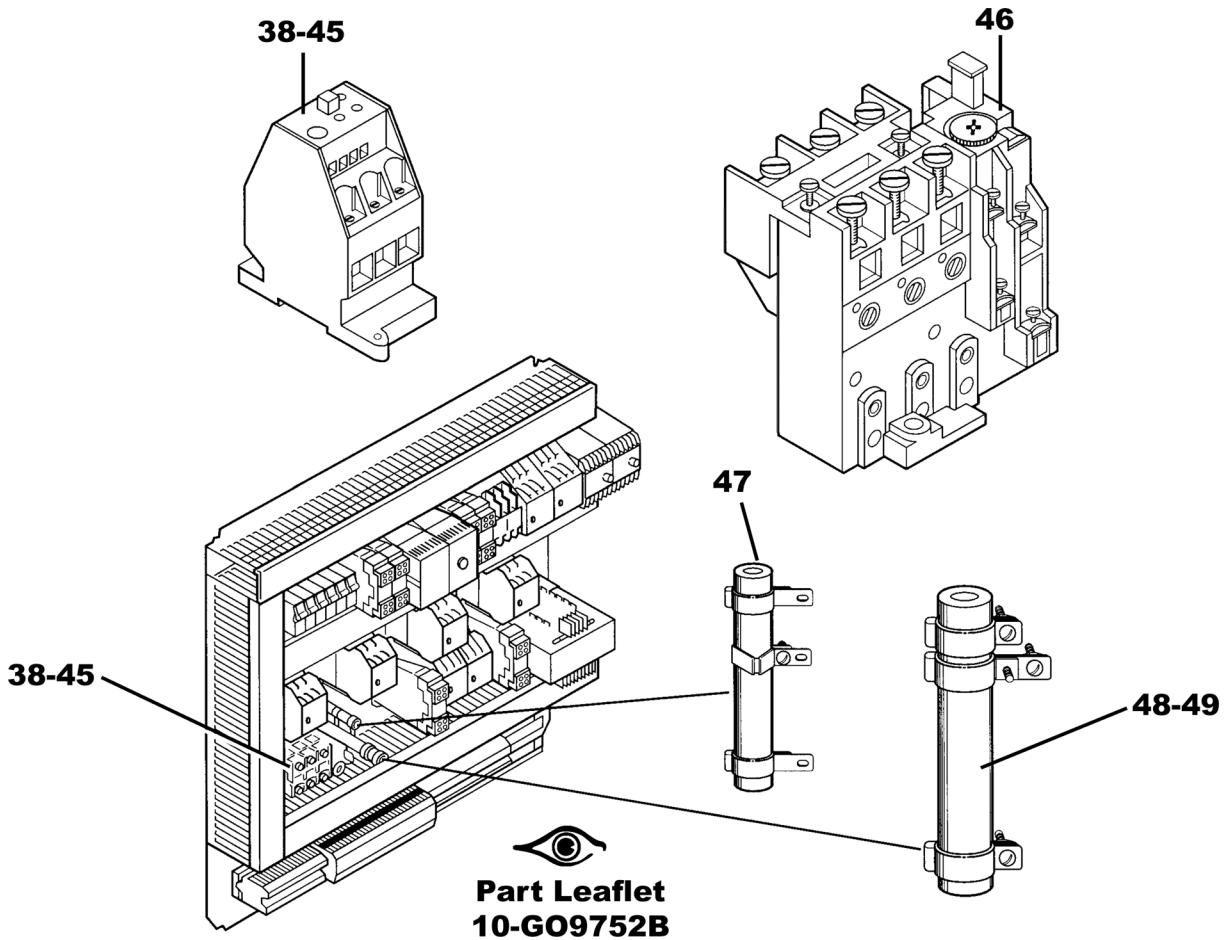


VINTAGE G.01

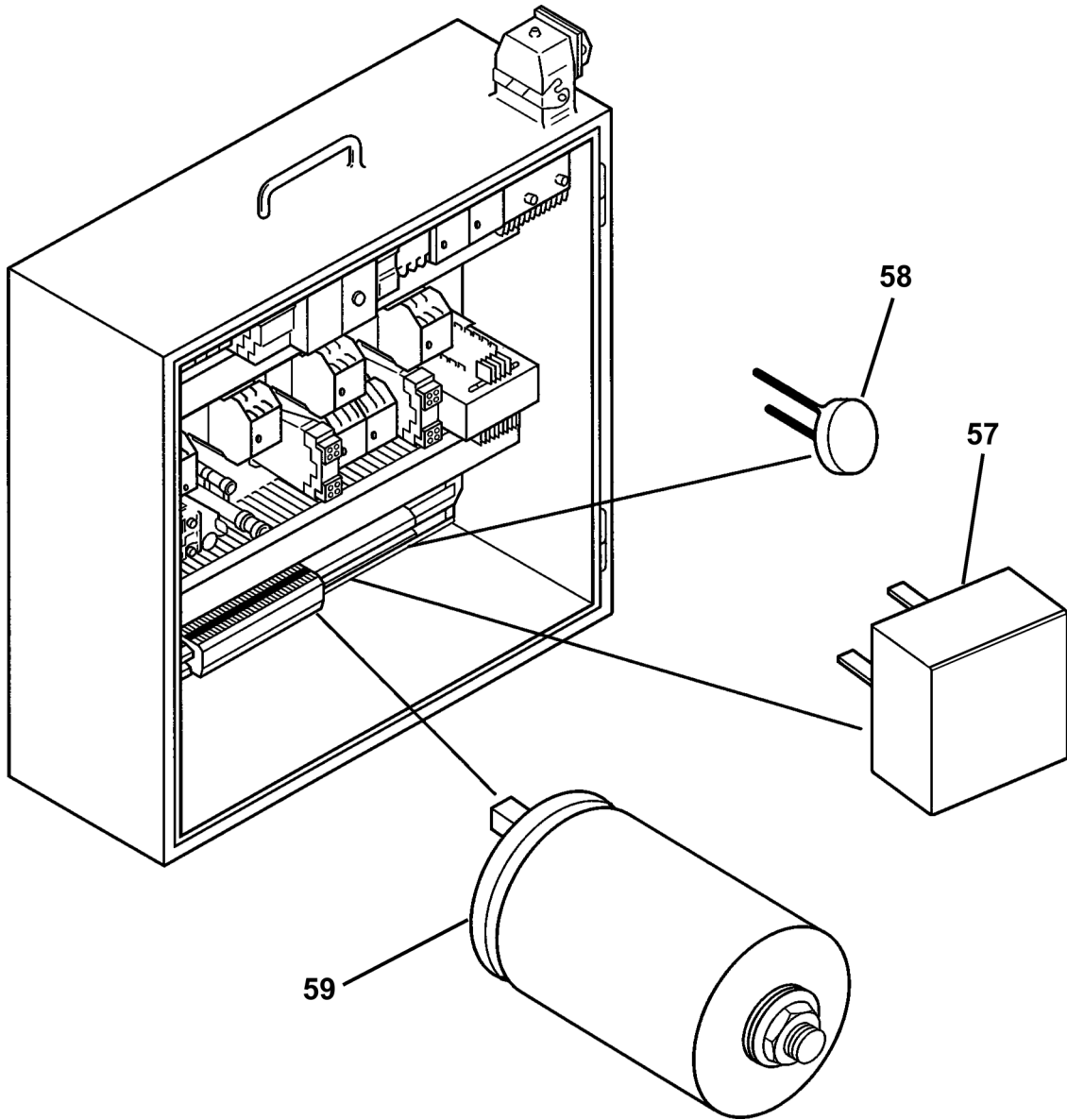
REF. No.	PART No.	DESCRIPTION	
30	EA1100-G435	Transformer 208V (220V Sec) CSA	(TRF)
31	EA1100-G289	Transformer 480V (220V Sec) CSA	
32	EA1100-G056	Transformer 575V (220V Sec) CSA	
33	EA1100-F766	Transformer 600V (220V Sec) CSA	
34	GO613AF224	Switch ((M) Delta), 60 Hz	 Part Leaflet 10-GO613AD-AW
35	GO613AG224	Switch ((U)Up), 60 Hz	
36	GO613AT224	Switch ((D) Down), 60 Hz	
37	GOA613AV224	Switch ((L) Star), 60 Hz	

Thermic Circuit Breakers

10-YYG09703BC



		VINTAGE		
		G.01	G.02	
REF. No.	PART No.		DESCRIPTION	
38	GO9752B15	GOA9752B16	Thermic Circuit Breaker 8 - 12.5 A	
39	GO9752B16	AAA637A17	Thermic Circuit Breaker 10 – 16 A	
40	GO9752B17	AAA637A18	Thermic Circuit Breaker 12.5 – 20 A	
41	GO9752B18	GO630E5	Thermic Circuit Breaker 16 – 25 A	
42	GO9752B19	AAA637A20	Thermic Circuit Breaker 20 – 32 A	
43	GO9752B20	AAA637A22	Thermic Circuit Breaker 32 – 45 A	
44	GO9752B24	GOA9752B23	Thermic Circuit Breaker 40 – 57 A	
45	---	GOA9752B24	Thermic Circuit Breaker 50 – 63 A	
46	GO9752B22	GOA9752B25	Thermic Circuit Breaker 55 – 80 A	
47	GO2215AP3		Resistor for Comb Light (RCL)	
48	232BA28		Resistor Braking Distance Device (R)	
49	GO2215AP4		Resistor Aux. Brake (REB)	



VINTAGE G.01		
REF. NO.	PART No.	DESCRIPTION
50	GO230AB1	Rectifier (RFI)
51	AAA605AA30	Varistor (VDR)
52	GX226W501	D.C. Dry Electrolytic Condenser (C)