

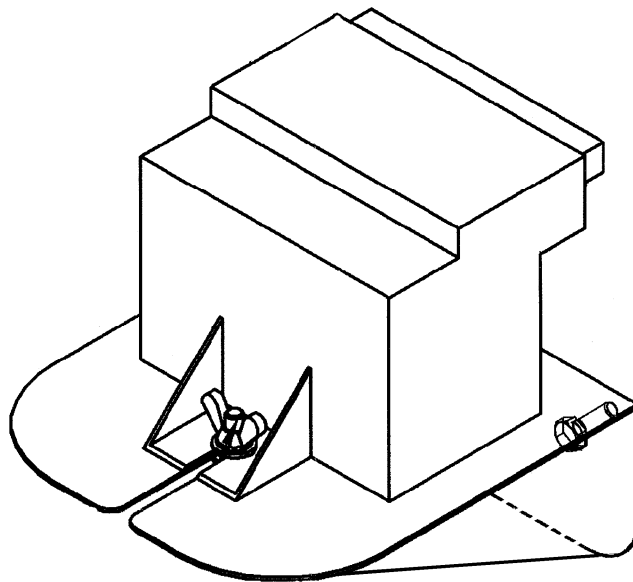
Rope Lubricator Kit

Spare Parts Leaflet

11-AAA22300A

May 30, 2018 / Page 1 of 4

**W/O
VINTAGE**



OTIS

This document does not contain any
technical data subject to EAR or ITAR

SERVICE ENGINEERING
Otis Elevator Company
Bloomfield, Connecticut USA

Unpublished Work—© Otis Elevator Co.; 2018

Leaflet Description

This leaflet describes the spare parts of a rope lubricator kit. A rope lubricator provides lubricant to the ropes to aid in proper rope life maintenance.

Leaflet Revisions

Date Revised	Subject Matter Expert	Reason for Revision
August 7, 2001	Sean Mismas	New leaflet
November 15, 2002	Sean Mismas	Update parts on page 3
March 10, 2009	Gary Mendrala	Update parts on page 3; Added p. 4
March 21, 2018	Gary Mendrala	Added Lubricant p/ns VP-419755 and VP-419750
May 30, 2018	Gary Mendrala	Updated lubricant information on p. 3

Related Drawings

Drawing No.	Title	Drawing No.	Title
AAA22300A	Rope Lubricator Kit	AAA508AH	Lubricator Reservoir
---	---	---	---

Related Documents

Document ID	Title
TIP 11.0-1	Wire Rope Lubricant #60 (VP-419750)
TIP 11.0-2	Rope Lubricator
TIP 11.1-12	Guidelines for Troubleshooting Hoist Ropes

Subject Matter Expert

Name	Department
Gary Mendrala	OSC Service Engineering

About Spare Parts Leaflets...

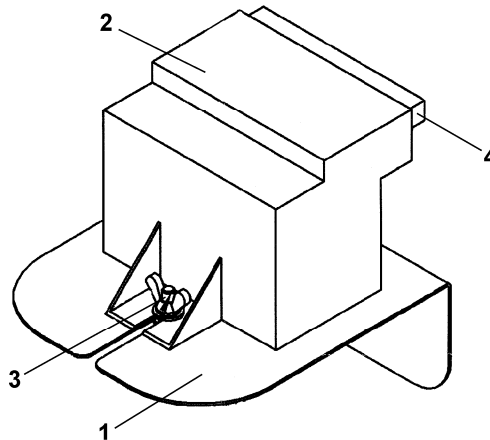
This document lists the lowest replaceable units (LRUs) for the standard version of the product. The LRUs are chosen by a team of Otis associates representing engineering and manufacturing.

While goal of this document is to make parts identification as easy as possible, the document cannot be all-inclusive. Elevator and escalator contracts classified as "special" or "custom" are not addressed here. For such contracts, please refer to specified information, the contract folder, TIPs, Field Education Articles, Construction Letters, etc. for further information.

If you have any suggestions about this document, please contact the subject matter expert listed on this page.

Rope Lubricator Kit Assembly

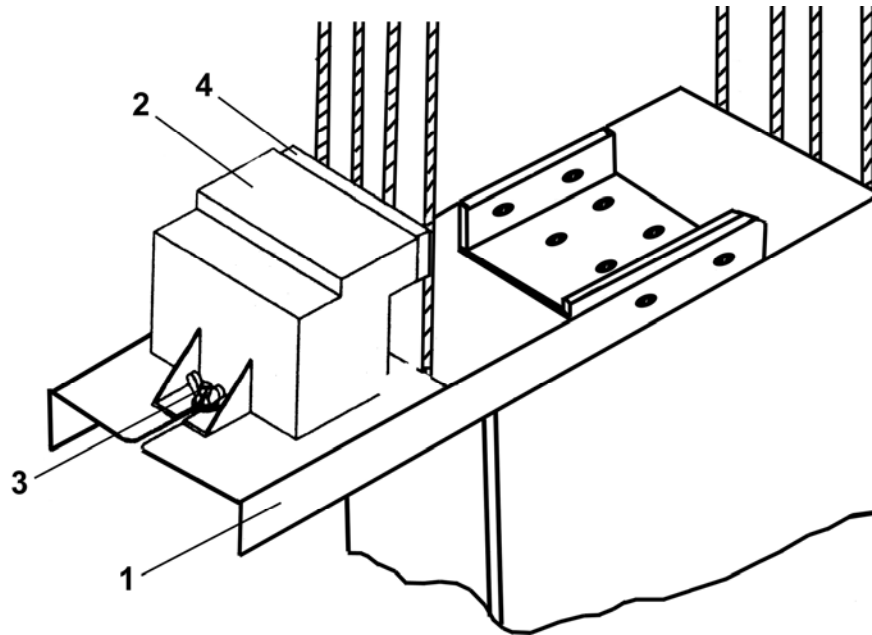
11-AAA22300A



NOTE: Rope lubricator comes with a ground wire and must be grounded to function properly.

REF. No.	W/O VINTAGE PART No.	Hoist Rope Applications DESCRIPTION
1	AAA386LEH1	Bracket, Used on 3 in., 5 in., 7 in., and 9 in. Lubricators
	AAA386LEH2	Bracket, Used on 12 in. and 14 in. Lubricators
	AAA386LEH3	Bracket, Used on 16 in. Lubricator
*	AAA22300H1	Kit, Lubricator, Hoist Rope, 3 in.; Lubricant Sold Separately from Kit
	AAA22300H2	Kit, Lubricator, Hoist Rope, 5 in., Lubricant Sold Separately from Kit
	AAA22300H3	Kit, Lubricator, Hoist Rope, 7 in., Lubricant Sold Separately from Kit
	AAA22300H4	Kit, Lubricator, Hoist Rope, 9 in., Lubricant Sold Separately from Kit
	AAA22300H5	Kit, Lubricator, Hoist Rope, 12 in., Lubricant Sold Separately from Kit
	AAA22300H7	Kit, Lubricator, Hoist Rope, 14 in., Lubricant Sold Separately from Kit
	AAA22300H6	Kit, Lubricator, Hoist Rope, 16 in., Lubricant Sold Separately from Kit
*	VP-419755	Lubricant, #60 (1 Quart); Sold Separately from Kit
	VP-419750	Lubricant, #60 (1 Gallon); Sold Separately from Kit
2	AAA508AH1	Lubricator, L = 3 in.
	AAA508AF6 AAA508AH2	Lubricator, L = 5 in.
	AAA508AF2 AAA508AH3	Lubricator, L = 7 in.
	AAA508AF3 AAA508AH4	Lubricator, L = 9 in.
	AAA508AF4 AAA508AH5	Lubricator, L = 12 in.
	AAA508AH7	Lubricator, L = 14 in.
	AAA508AH6	Lubricator, L = 16 in.
3	72FD5	Nut, Wing
4	AAA488M3	Wick, Felt, 3 in.
	AAA488M8	Wick, Felt, 5 in.
	AAA488M4	Wick, Felt, 7 in.
	AAA488M5	Wick, Felt, 9 in.
	AAA488M6	Wick, Felt, 12 in.
	AAA488M10	Wick, Felt, 14 in.
	AAA488M7	Wick, Felt, 16 in.

* Not shown.



REF. No.	W/O VINTAGE PART No.	DESCRIPTION
1	AAA347BHD2	Bracket, Compensation Frame, 3 in., 5 in., 7 in. and 9 in.
	AAA347BHD4	Bracket, Compensation Frame, 12 in. and 14 in.
	AAA347BHD6	Bracket, Compensation Frame, 16 in.
	AAA347BHD7	Bracket, Compensation Reservoir, 3 in., 5 in., 7 in. and 9 in.
	AAA347BHD3	Bracket, Compensation Reservoir, 12 in. and 14 in.
	AAA347BHD5	Bracket, Compensation Reservoir, 16 in.
*	AAA22300H8	Kit, Lubricator, Compensation Rope, 3 in., Lubricant Sold Separately from Kit
	AAA22300H9	Kit, Lubricator, Compensation Rope, 5 in., Lubricant Sold Separately from Kit
	AAA22300H10	Kit, Lubricator, Compensation Rope, 7 in., Lubricant Sold Separately from Kit
	AAA22300H11	Kit, Lubricator, Compensation Rope, 9 in., Lubricant Sold Separately from Kit
	AAA22300H12	Kit, Lubricator, Compensation Rope, 12 in., Lubricant Sold Separately from Kit
	AAA22300H14	Kit, Lubricator, Compensation Rope, 14 in., Lubricant Sold Separately from Kit
	AAA22300H13	Kit, Lubricator, Compensation Rope, 16 in., Lubricant Sold Separately from Kit
2	AAA508AH1	Lubricator, L = 3 in.
	AAA508AH2	Lubricator, L = 5 in.
	AAA508AH3	Lubricator, L = 7 in.
	AAA508AH4	Lubricator, L = 9 in.
	AAA508AH5	Lubricator, L = 12 in.
	AAA508AH7	Lubricator, L = 14 in.
	AAA508AH6	Lubricator, L = 16 in.
3	72DD5	Nut, Wing
4	AAA488M3	Wick, Felt, 3 in.
	AAA488M8	Wick, Felt, 5 in.
	AAA488M4	Wick, Felt, 7 in.
	AAA488M5	Wick, Felt, 9 in.
	AAA488M6	Wick, Felt, 12 in.
	AAA488M10	Wick, Felt, 14 in.
	AAA488M7	Wick, Felt, 16 in.

* Not shown.