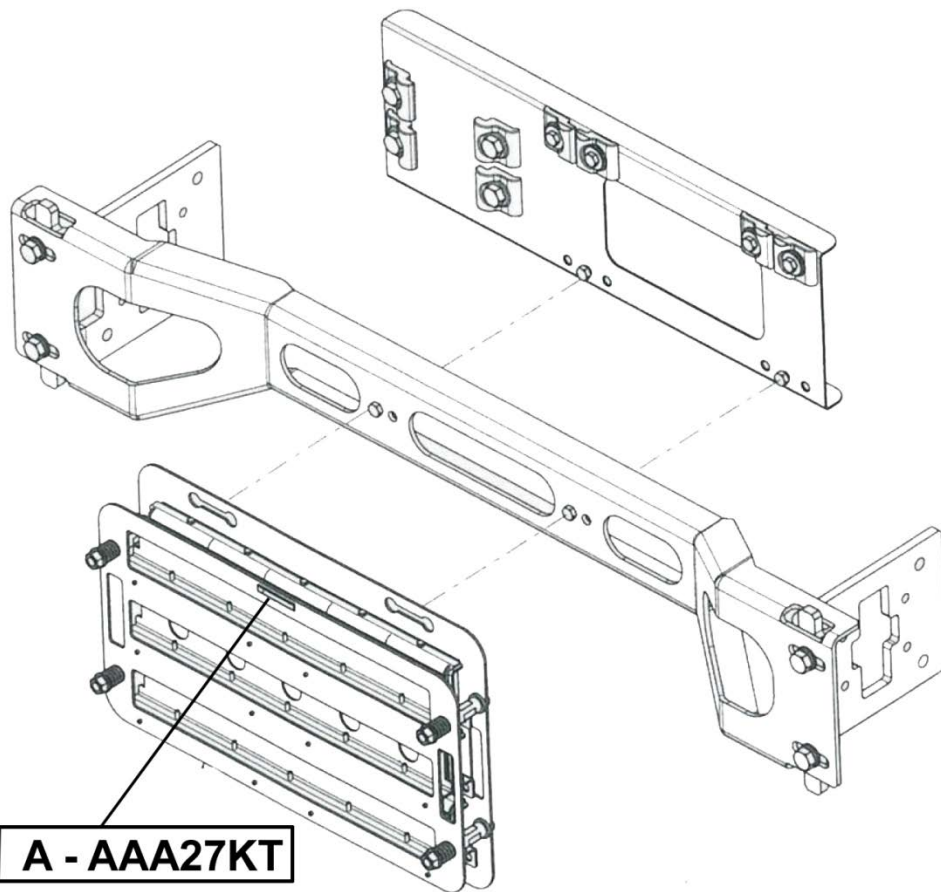


CSB Cleaner / Belt
Conditioner Application
Tool

Spare Parts Leaflet

11-AAA27KT

October 25, 2017 / Page 1 of 8



11 A - AAA27KT

OTIS

This document does not contain any
technical data subject to EAR or ITAR

SERVICE ENGINEERING

Otis Elevator Company

Bloomfield, Connecticut USA

Unpublished Work—© Otis Elevator Co.; 2017

Leaflet Description

This leaflet provides information for the AAA27KT Belt Cleaning tool. It is intended to temporarily mount to the elevator guide rails at the top of the hoistway. The device is used to safely clean belts. While installed, the elevator is not to exceed inspection speed.

Leaflet Revisions

Date Revised	Subject Matter Expert	Reason for Revision
October 25, 2017	Gary Mendrala	New SPL

Related Drawings

Drawing No.	Title	Drawing No.	Title
AAA27KT	Belt Cleaner Kit	AAA105VN	G2S Mounting Assembly
AAA316KPL	G20 Mounting Assembly		

Related Documents

Document ID	Title
TIP 11.4-2	CSB Maintenance, Cleaning, And Conditioning

Subject Matter Expert

Name	Department
Gary Mendrala	OSC Service Engineering

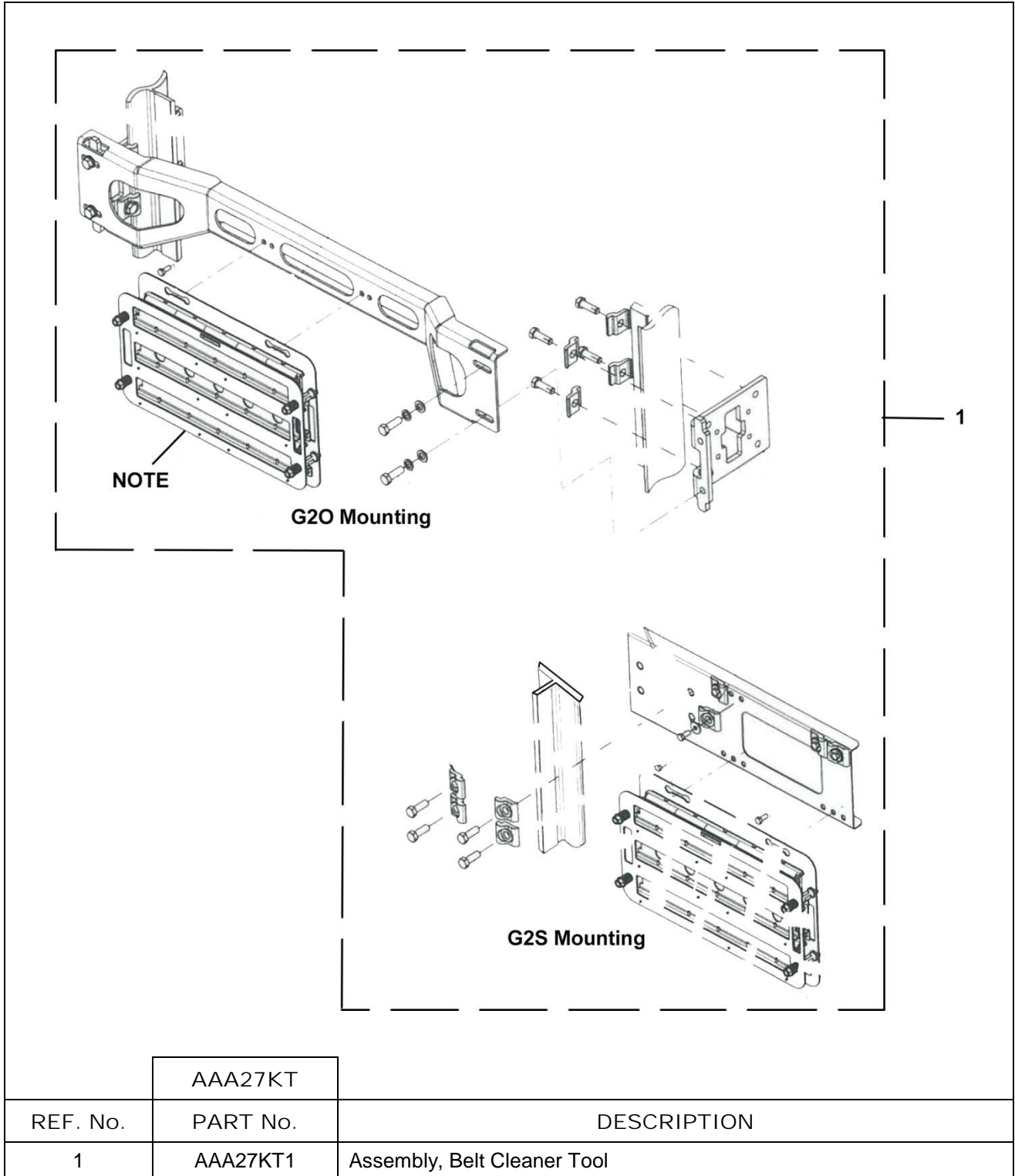
About Spare Parts Leaflets...

This document lists the lowest replaceable units (LRUs) for the standard version of the product. The LRUs are chosen by a team of Otis associates representing engineering and manufacturing.

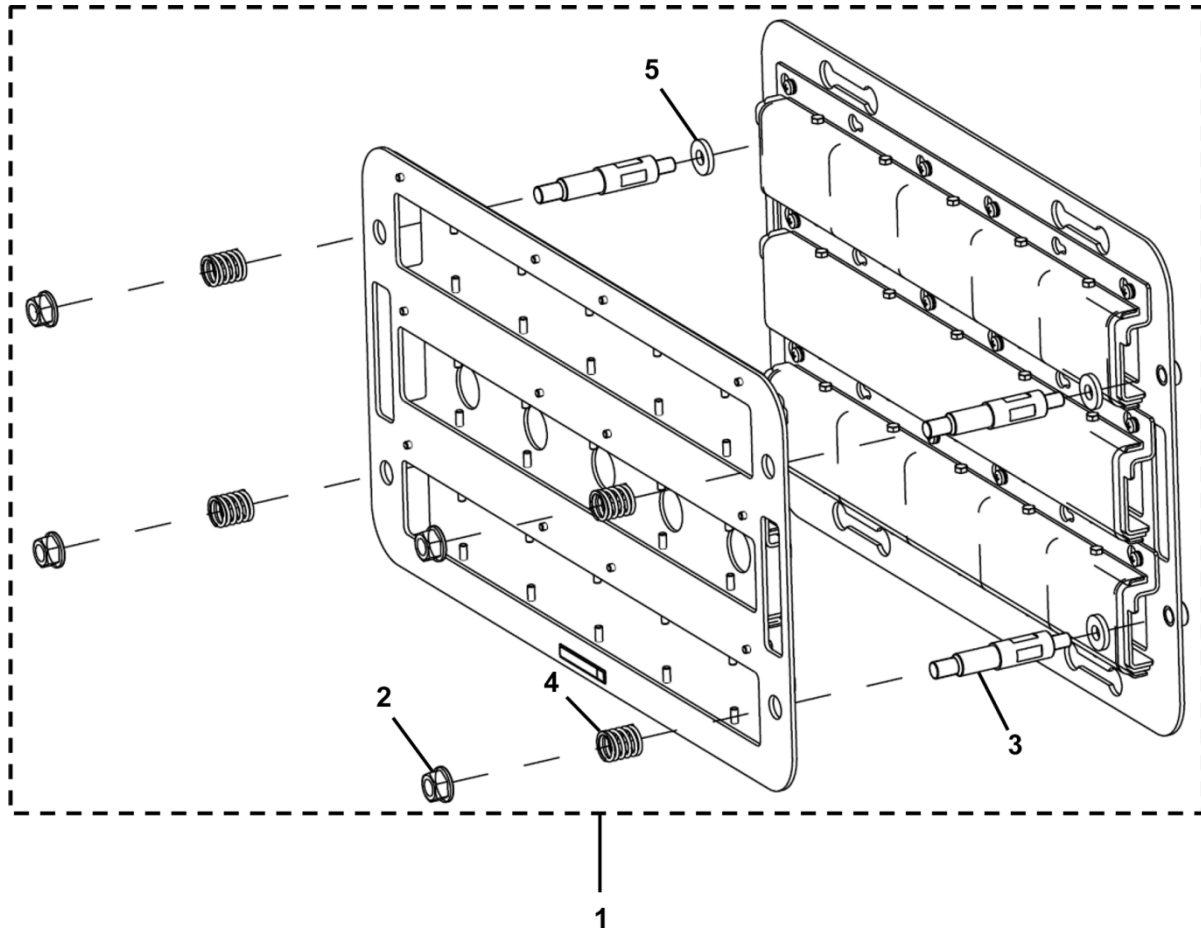
While goal of this document is to make parts identification as easy as possible, the document cannot be all-inclusive. Elevator and escalator contracts classified as "special" or "custom" are not addressed here. For such contracts, please refer to specified information, the contract folder, TIPS, Field Education Articles, Construction Letters, etc. for further information.

If you have any suggestions about this document, please contact the subject matter expert listed on this page.

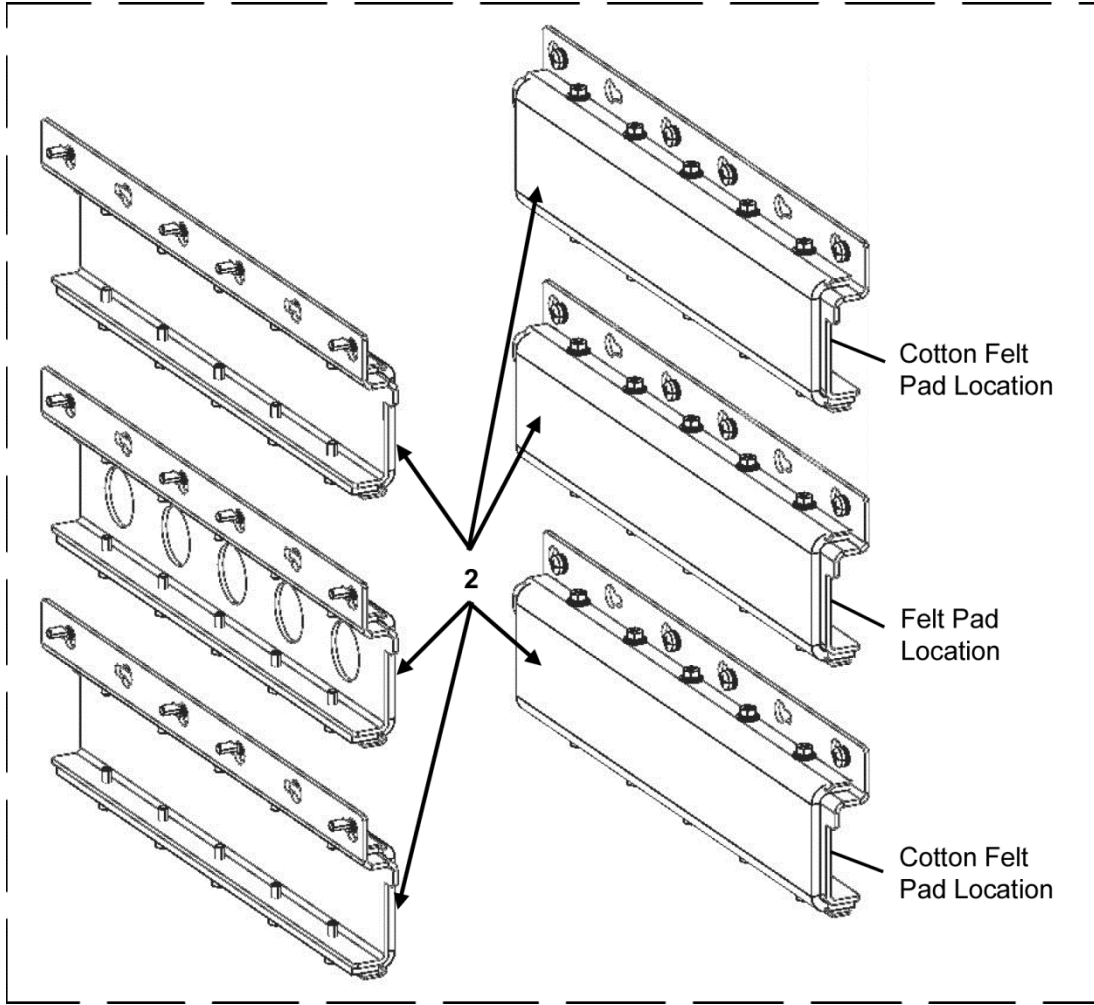
Application Tool



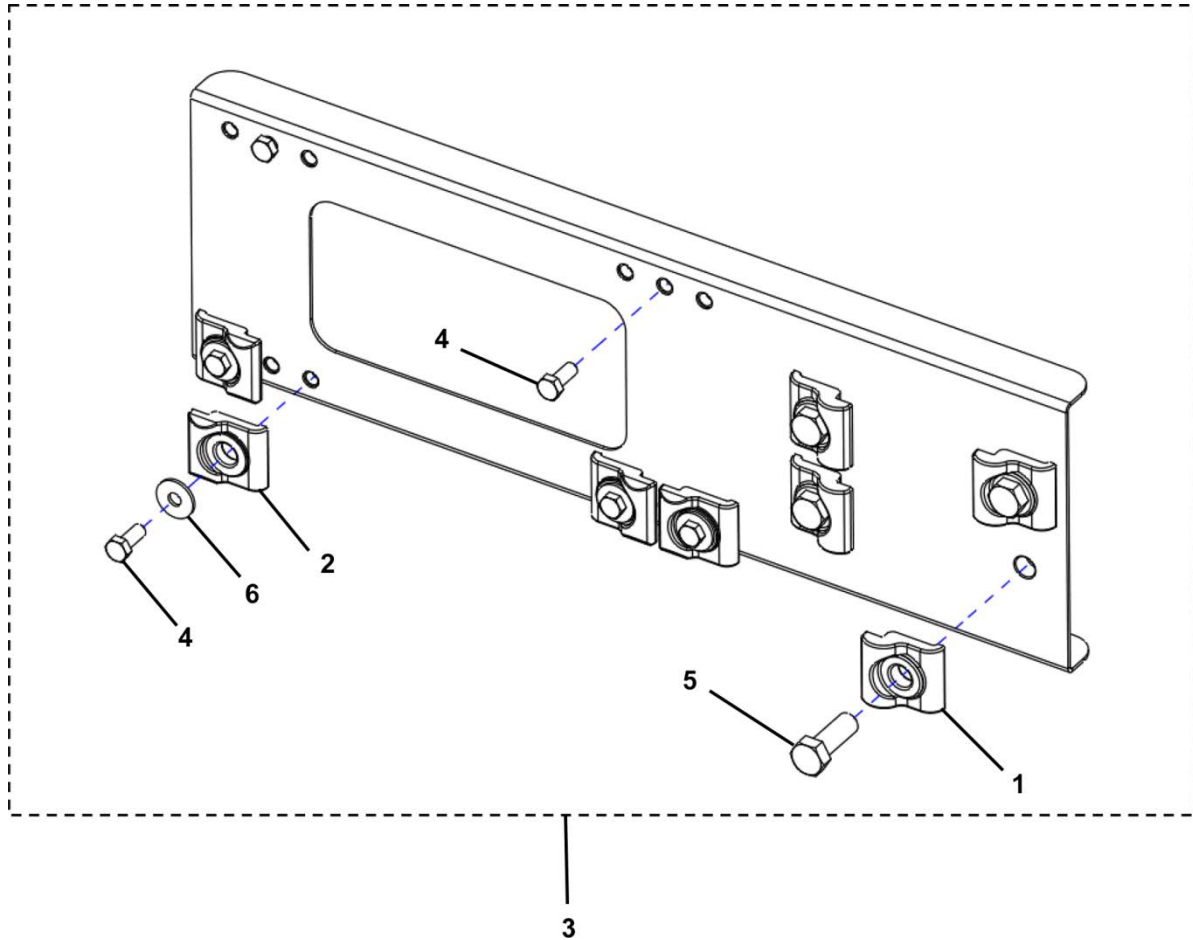
NOTE: Only one cleaner assembly is included in the kit.



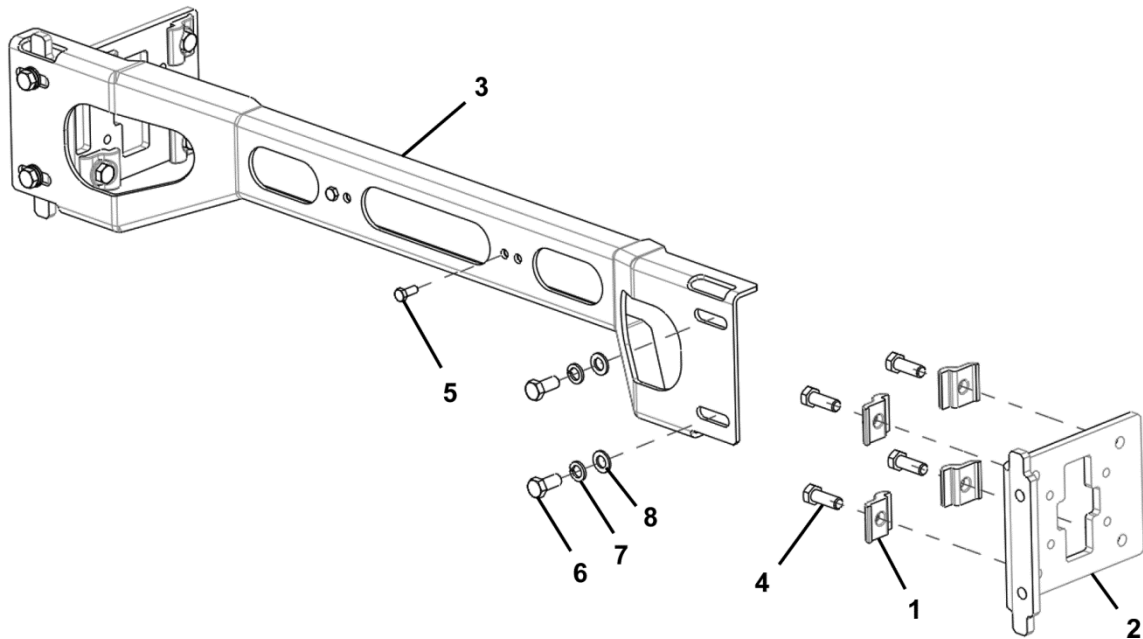
REF. No.	PART No.	DESCRIPTION
1	AAA27KN2	Assembly, Belt Cleaner Tool
*	AAA27KN502	Kit, Contains items 2, 3, 4, 5
2	JAA72ACH12	Nut, M12, w/ Conical Spring Washer
3	JAB81BKA1	Pin
4	JAA90AJJ1	Spring
5	DIN7349-M10-Z	Washer, M10 Plain



REF. No.	PART No.	DESCRIPTION
	AAA27KT	
1	AAA27KN501	Kit, Replacement Pad Assemblies, (contains 4 wiper pad assemblies and 2 cleaner pad assemblies, mounted to brackets as shown)
2	AAA27KN500	Kit, Replacement Pads Only, (contains 4 wiper pads and 2 cleaner pads)



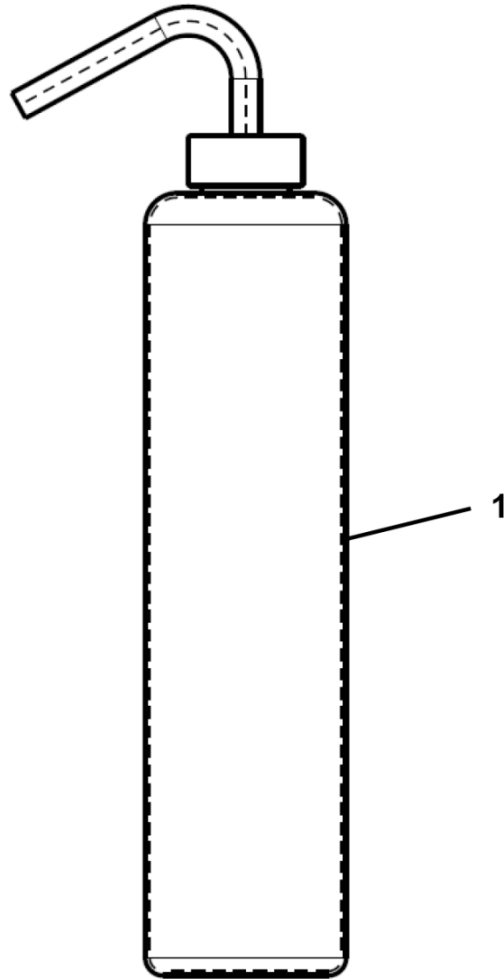
REF. No.	PART No.	DESCRIPTION
1	AAA27KT	
1	339D1	Clip, Rail #1
2	339GM1	Clip, Rail #1-1/2
3	AAA105VN1	Plate, Base
4	ISO4017M10x25-8.8Z	Screw, Hex Hexagon
5	ISO4017M16x50-8.8Z	Screw, Hex, Hexagon
6	ISO7093-1-M10-200HV-Z	Washer, Plain



REF. No.	AAA27KT PART No.	DESCRIPTION
8 1	339D1	Clip, Rail #1
	339GM1	Clip, Rail #1-1/2
	339E1	Clip, Rail #2
---	AAA316KPL400	Kit, Contains items 6, 7, & 8
2 2	AAA316KPJ1	Plate, Base
1 3	AAA316KQV2	Plate, Base
7 4	ISO4017M16x50-8.8Z	Rail, #1 and #1-1/2
	ISO4017M12x50-8.8Z	Rail, #2
3 5	ISO4017M10x25-8.8Z	Screw, Hex, Hexagon
4 6	ISO4017M16x50-8.8Z	Screw, Hex, Hexagon
5 7	DIN127B-M16-430HV-Z	Washer, Spring Lock
6 8	ISO7089-M16-140HV-Z	Washer, Plain

11-AAA27KT

CSB Cleaner Tool



REF. No.	PART No.	DESCRIPTION
1	AAA27KV2	Tool, Squirt Bottle, with label VP-846460