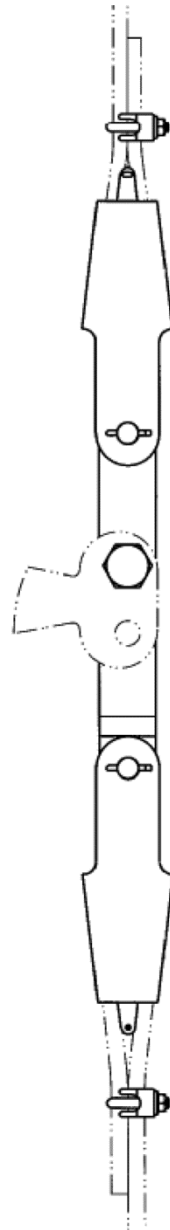


Governor Rope Hitch
Skyrise®
(6,8 mm Dia Rope)

Spare Parts Leaflet
11-DAA22290C

March 3, 2014 / Page 1 of 3

W/O
VINTAGE



OTIS

SERVICE ENGINEERING
Otis Elevator Company
Shanghai, China

Unpublished Work—© Otis Elevator Co.; 2014

Leaflet Description

This SPL listed the lowest replaceable parts for governor rope termination. These terminations are used on governor model provide governor type 7063E.

Leaflet Revisions

Date Revised	Subject Matter Expert	Reason for Revision
March 3, 2014	Andy Wang	New SPL

Related Drawings

Drawing No.	Title	Drawing No.	Title
DAA22290C	Governor Rope Hitch		

Related Documents

Document ID	Title
11-DAA22290D	Governor rope hitch

Subject Matter Expert

Name	Department
Gary Mendrala	Service Engineering

About Spare Parts Leaflets...

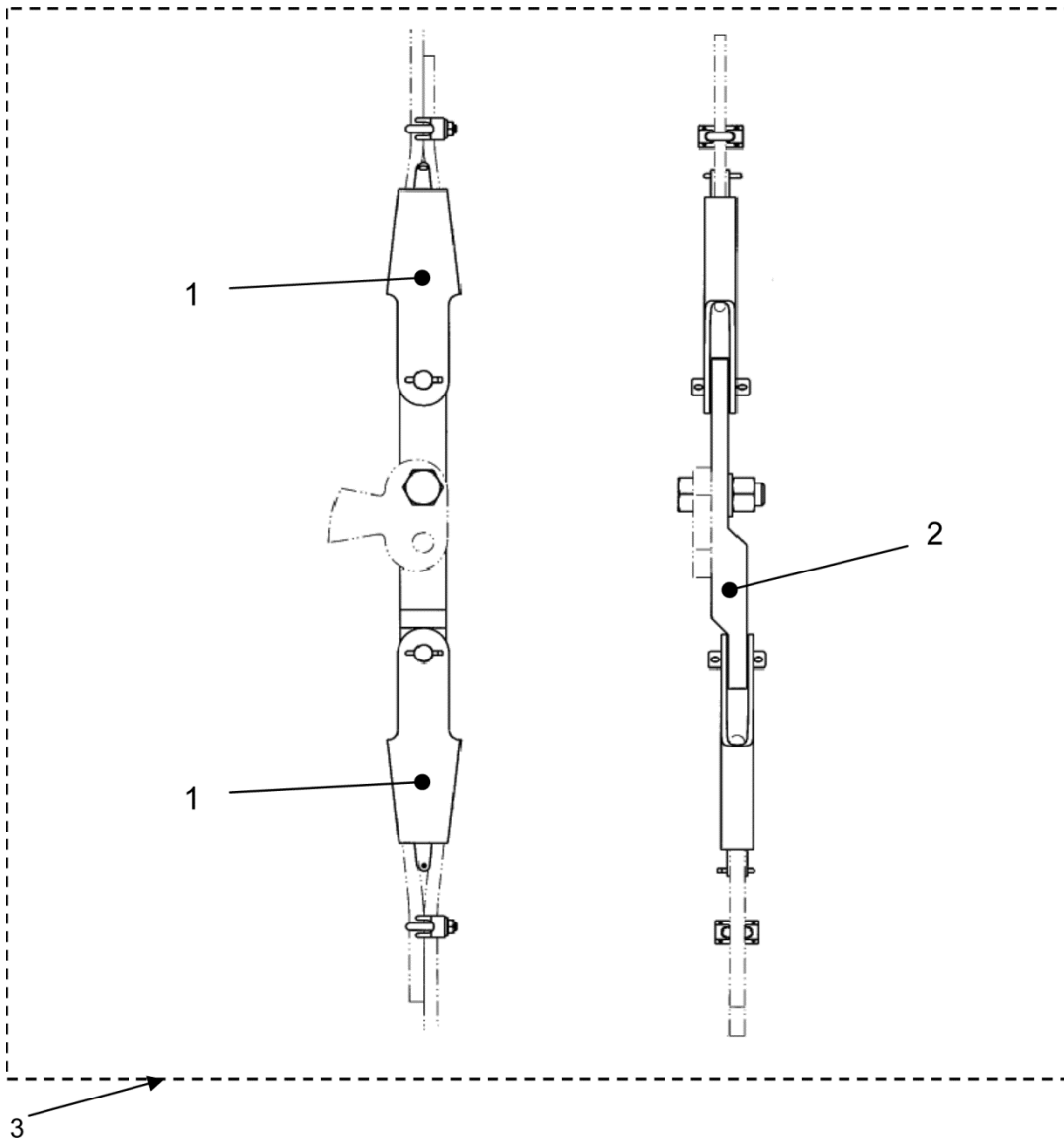
This document lists the lowest replaceable units (LRUs) for the standard version of the product. The LRUs are chosen by a team of Otis associates representing engineering and manufacturing.

While goal of this document is to make parts identification as easy as possible, the document cannot be all-inclusive. Elevator and escalator contracts classified as "special" or "custom" are not addressed here. For such contracts, please refer to specified information, the contract folder, TIPs, Field Education Articles, Construction Letters, etc. for further information.

If you have any suggestions about this document, please contact the subject matter expert listed on this page.

Governor Rope Hitch

11-DAA22290C



W/O VINTAGE		
REF. No.	PART No.	DESCRIPTION
1	DAA22290A1	Governor Rope Hitch (w/ Wedge & clip) 6 mm Dia Rope)
	DAA22290A2	Governor Rope Hitch (w/ Wedge & clip) 8 mm Dia Rope)
2	JXGO227B501	Bar, Joint
3	DAA22290C1	Socket Assy. (6 mm Dia Rope)
	DAA22290C2	Socket Assy. (8 mm Dia Rope)