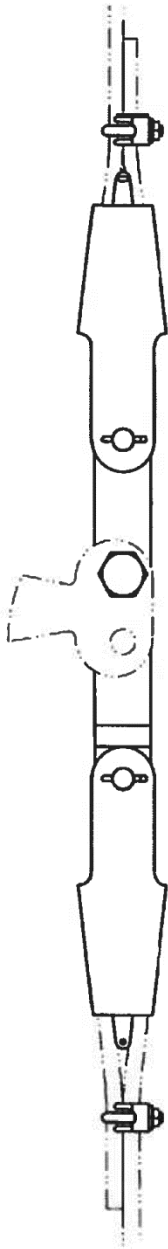


**Governor Rope Hitch
(9.5, 13 mm Dia. Rope)**

Spare Parts Leaflet

11-DAA22290D

April 9, 2014 / Page 1 of 3



**W/O
VINTAGE**

OTIS

**SERVICE ENGINEERING
Otis Elevator Company
Shanghai, China**

Unpublished Work—© Otis Elevator Co.; 2014

Leaflet Description

This leaflet lists the lowest replaceable parts for the governor rope termination.

Leaflet Revisions

Date Revised	Subject Matter Expert	Reason for Revision
April 9, 2014	Andy Wang	New SPL

Related Drawings

Drawing No.	Title	Drawing No.	Title
DAA22290D	Governor Rope Hitch		

Related Documents

Document ID	Title
11-AAA22290C	Governor Rope Hitch

Subject Matter Expert

Name	Department
Gary Mendrala	OSC Service Engineering

About Spare Parts Leaflets...

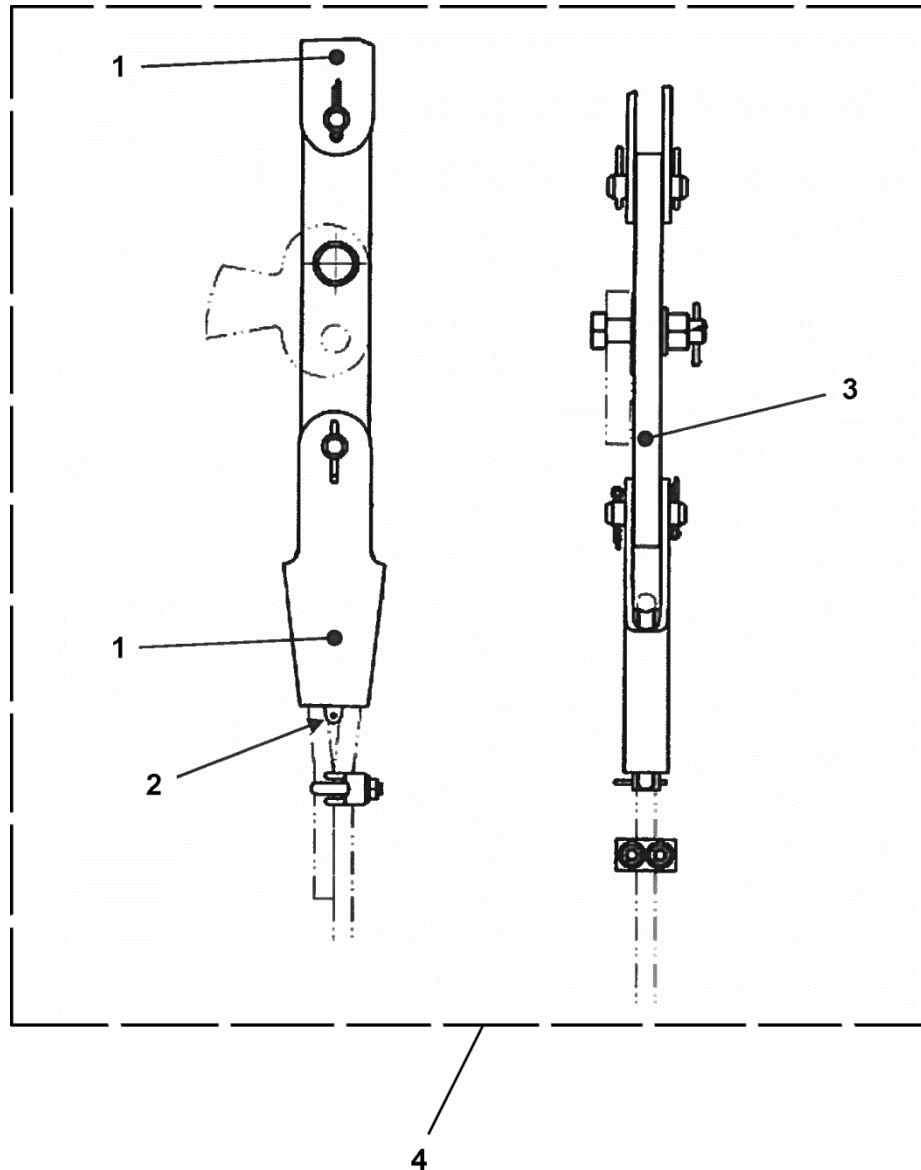
This document lists the lowest replaceable units (LRUs) for the standard version of the product. The LRUs are chosen by a team of Otis associates representing engineering and manufacturing.

While goal of this document is to make parts identification as easy as possible, the document cannot be all-inclusive. Elevator and escalator contracts classified as “special” or “custom” are not addressed here. For such contracts, please refer to specified information, the contract folder, TIPs, Field Education Articles, Construction Letters, etc. for further information.

If you have any suggestions about this document, please contact the subject matter expert listed on this page.

Governor Rope Hitch

11-DAA22290D



W/O VINTAGE		
REF. No.	PART No.	DESCRIPTION
1	DAA465Z1	Governor Rope Socket, 9.5 mm Diameter Rope
	DAA465Z2	Governor Rope Socket, 13 mm Diameter Rope
2	DAA487B1	Wedge, 9.5 mm Diameter Rope
	DAA487B2	Wedge, 13 mm Diameter Rope
3	DAA299BS1	Bar, Joint, 9.5 mm Diameter Rope
	DAA299BS2	Bar, Joint, 13 mm Diameter Rope
4	DAA22290D1	Socket Assembly, 9.5 mm Diameter Rope
	DAA22290D2	Socket Assembly, 13 mm Diameter Rope