

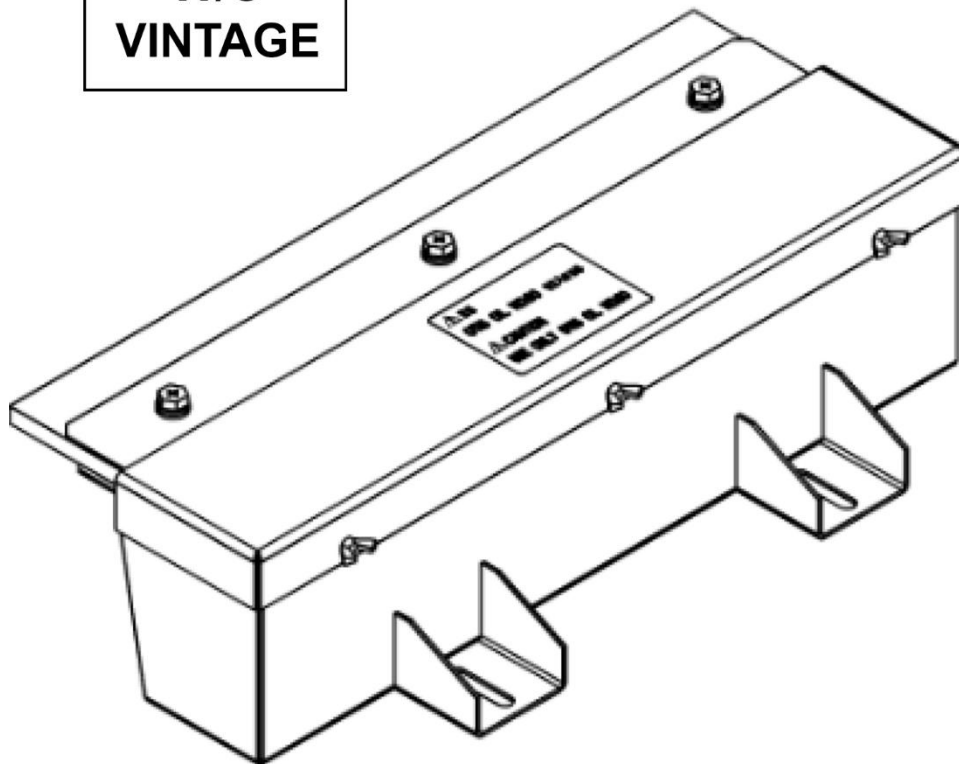
Machine Specific Rope Lubricators

Spare Parts Leaflet

11-JAA508AAP

October 19, 2022 / Page 1 of 3

**W/O
VINTAGE**



OTIS

This document does not contain any
technical data subject to EAR or ITAR

SERVICE ENGINEERING

Otis Elevator Company

Bloomfield, Connecticut USA

Unpublished Work—© Otis Elevator Co.; 2022

Leaflet Description

This leaflet provides information for direct mount machine specific hoist rope lubricators. The reservoirs are listed by machine application. These reservoirs are designed for the following applications: 17CT, PM138, 30T, SM155, 40T, 70T, 156MST, and 100T. Additional generic rope lubricators are specified in SPL 11-AAA22300A. Otis lubricant #60 is sold separately as part number VP-419750.

Leaflet Revisions

Date Revised	Subject Matter Expert	Reason for Revision
October 19, 2022	Gary Mendrala	New leaflet

Related Drawings

Drawing No.	Title	Drawing No.	Title
JAA508AAP	Machine Specific Rope Lubricators	JAA488AAD	Wick
AAA22300A	Generic Rope Lubricator Kit	VP-419750	Otis lubricant #60

Related Documents

Document ID	Title
SPL 11-AAA22300A	Rope Lubricator Kit
TIP 11.0-2	Rope Lubricator

Subject Matter Expert

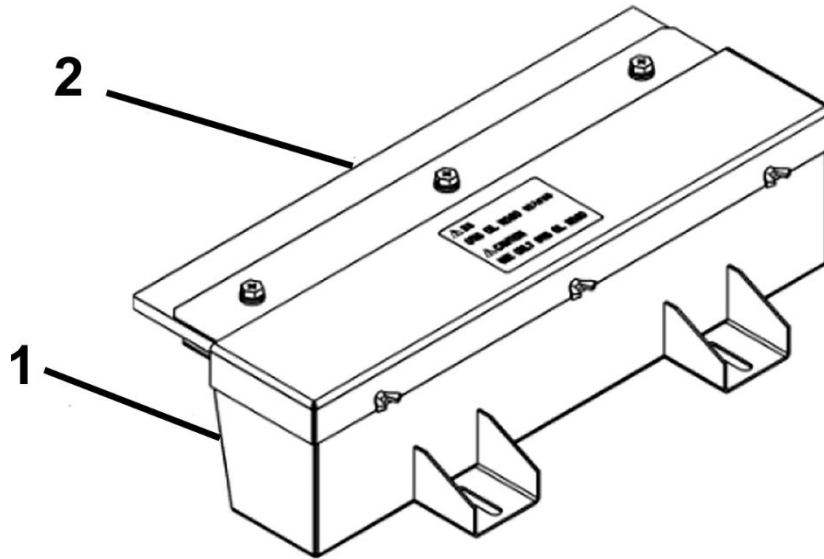
Name	Department
Gary Mendrala	OSC Service Engineering

About Spare Parts Leaflets...

This document lists the lowest replaceable units (LRUs) for the standard version of the product. The LRUs are chosen by a team of Otis associates representing engineering and manufacturing.

While goal of this document is to make parts identification as easy as possible, the document cannot be all-inclusive. Elevator and escalator contracts classified as “special” or “custom” are not addressed here. For such contracts, please refer to specified information, the contract folder, TIPs, Field Education Articles, Construction Letters, etc. for further information.

If you have any suggestions about this document, please contact the subject matter expert listed on this page.



REF. No.	W/O VINTAGE PART No.	DESCRIPTION
1	JAA508AAP2	Lubricator, Rope, 17CT Geared Machine
	JAA508AAP3	Lubricator, Rope, PM138 Gearless Machine
	JAA508AAP4	Lubricator, Rope, 30T, SM155 Gearless Machine
	JAA508AAP5	Lubricator, Rope, 40 Gearless Machine
	JAA508AAP6	Lubricator, Rope, 70T Gearless Machine
	JAA508AAP7	Lubricator, Rope, 156MST Gearless Machine
	JAA508AAP8	Lubricator, Rope, 100T Gearless Machine
	*	VP-419750
2	JAA488AAD2	Wick, 17CT, Length = 4.72 in.
	JAA488AAD3	Wick, PM138, Length = 8.86 in.
	JAA488AAD4	Wick, 30T, Length = 11.81 in.
	JAA488AAD5	Wick, 40T, Length = 14.17 in.
	JAA488AAD6	Wick, 70T, Length = 18.90 in.
	JAA488AAD7	Wick, 156MST, Length = 6.5 in.
	JAA488AAD8	Wick, 100T, Length = 23.23 in.

* Part not shown. Sold separately.