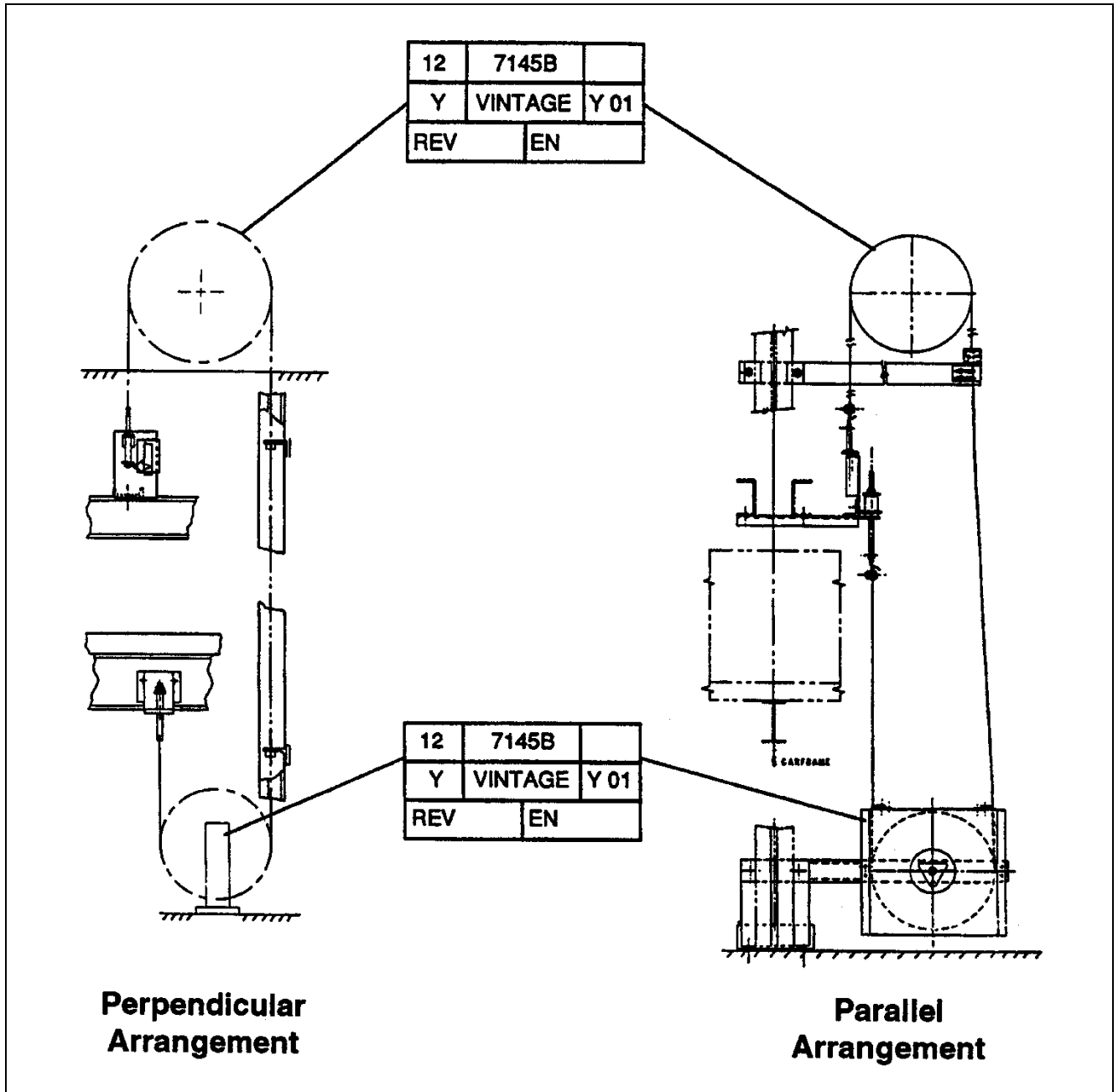


Primary Position Transducer & Selector Tape System

Spare Parts Leaflet

12-7145B

April 12, 2023 / Page 1 of 24



OTIS

This document does not contain any technical data subject to EAR or ITAR

SERVICE ENGINEERING

Otis Elevator Company

Bloomfield, Connecticut USA

Unpublished Work—© Otis Elevator Co.; 2023

Leaflet Description

This leaflet details the spare parts for the Primary Position Transducer (PPT), primary position stand, tape system, and different types of idler sheave assemblies.

Leaflet Revisions

Date Revised	Subject Matter Expert	Reason for Revision
September 1989	- - -	New Leaflet
July 1, 2000	Val Sheynkman	Add 6730D, E, F Sheave Assembly
May 23, 2006	Val Sheynkman	Updated the template; Added idler pulley (24 in. diameter) guard; Clarified parts descriptions
June 30, 2008	Val Sheynkman	Added tape guide assembly on p. 12
May 13, 2009	Val Sheynkman	Added a related drawing on history page; Added p/n AAA174AMN1 on p. 4
August 25, 2010	Jeff Holmes	Added 444BL8, 444AX38, and 602324 on page 4.
March 21, 2012	Ali Bozorgzadeh	Added new ref. 3 on p. 4
April 4, 2012	Val Sheynkman	Corrected the history page
September 27, 2017	Gary Mendrala	Added 7145B1, 2, and 10
July 24, 2019	Juan Murillo	Added 6527B Hitch Assembly on p. 10
December 11, 2019	Juan Murillo	Corrected callouts and part numbers on p. 10
April 12, 2023	Gary Mendrala	Added new tape p/n on p. 14

Related Drawings

Drawing No.	Title	Drawing No.	Title
7145B	Assembly and Arrangement, Primary Position Transducer	6730E	Assembly, Double Tape Idler Pulley
6199AT	Hitch Assembly	6730F	Assembly, Double Tape Deflector Pulley
6730C	Assembly, Idler Pulley	6730H	Assembly, Idler Selector Tape Sheave
6730D	Assembly, Double Deflector Sheave	AAA6200G	Slack Tape Device, Self-Resetting and Mounting

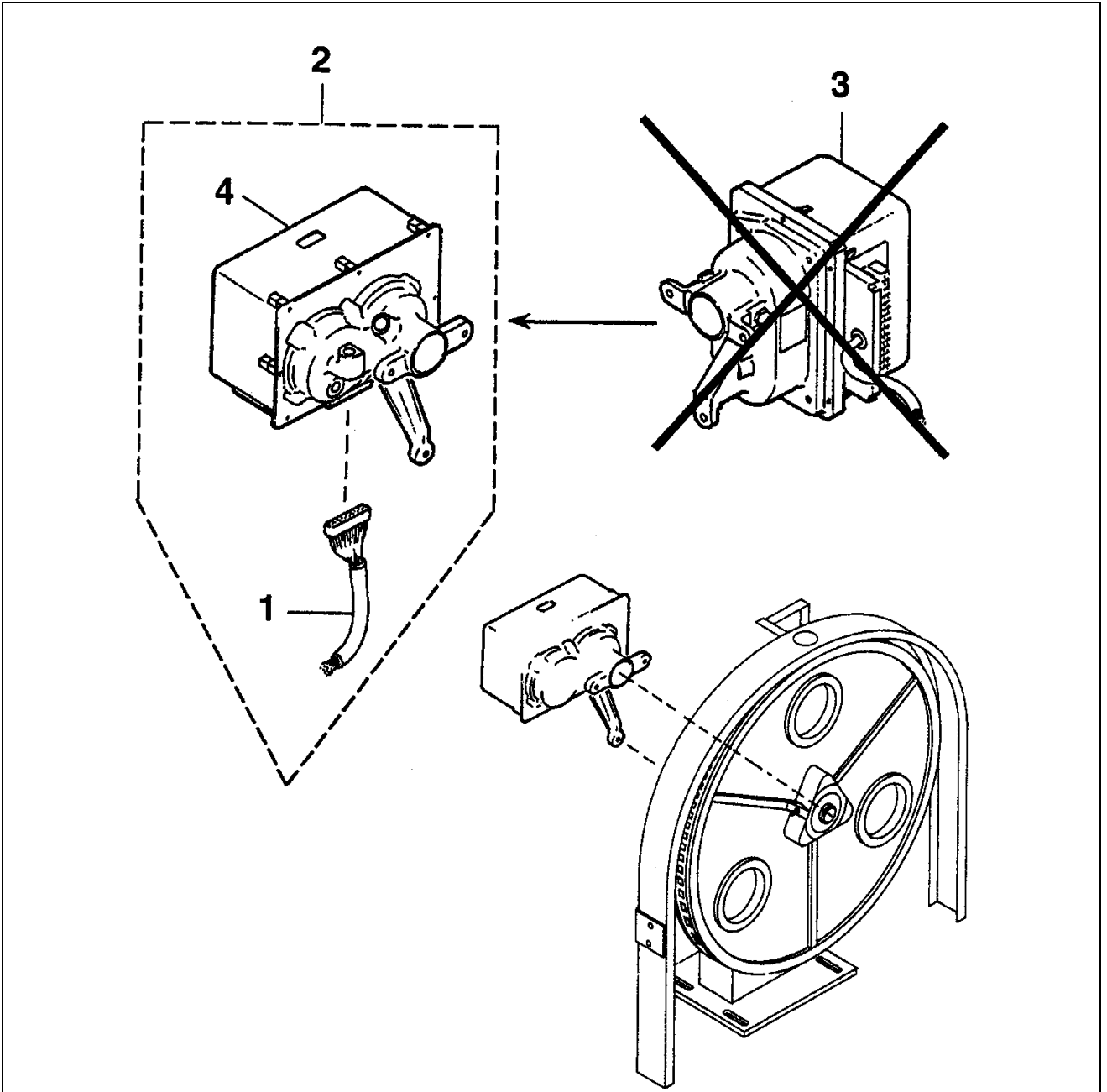
Related Documents

Document ID	Title
SPL C-919G	Type 6098 Mechanical Switches

Subject Matter Expert

Name	Department
Gary Mendrala	OSC Service Engineering

Primary Position Transducer

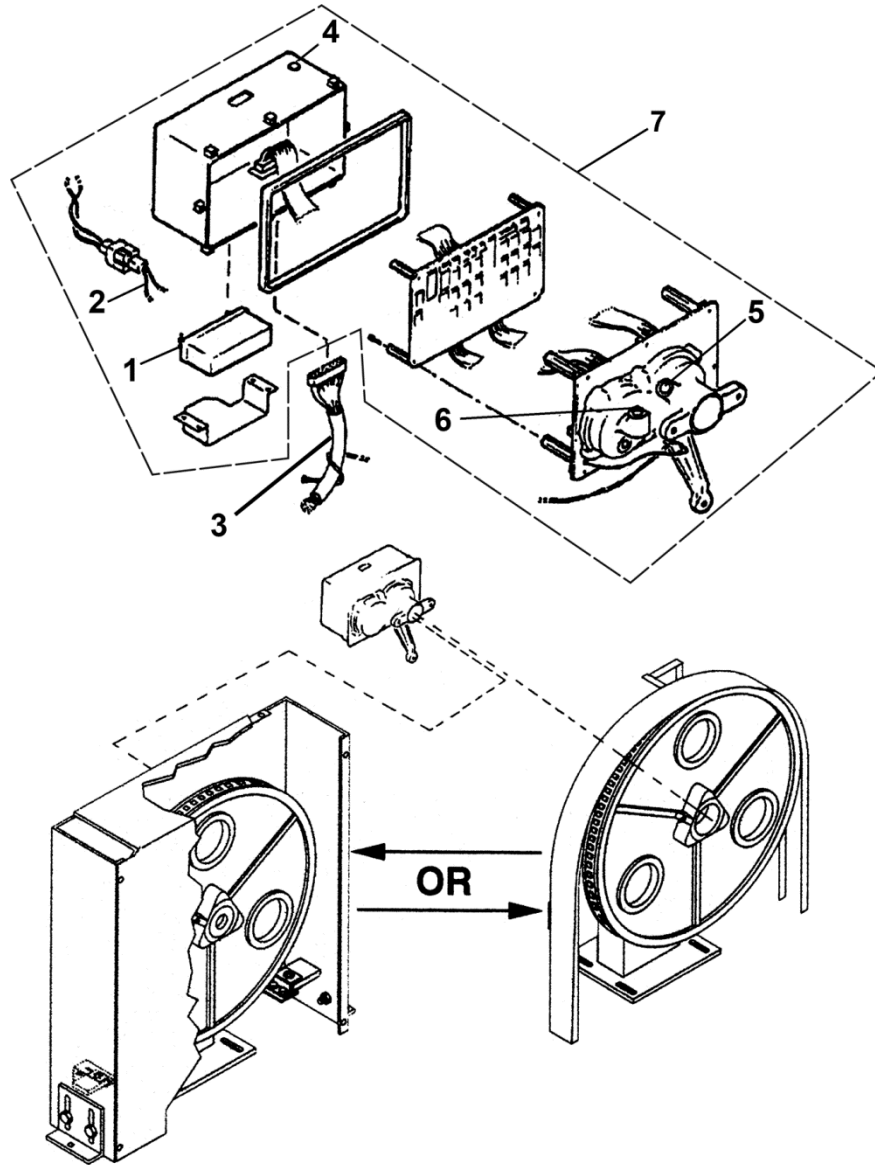


**W/O VINTAGE &
VINTAGE Y 01**

REF. No.	PART No.	DESCRIPTION
1	174GL1	Assembly, Cable
2	2700CBL1	Assembly, Primary Position Transducer & Cable
3	HT200740-2	Transducer, Primary Position (use ref. 2)
4	A6104CG1	Transducer, Primary Position

12-7145B

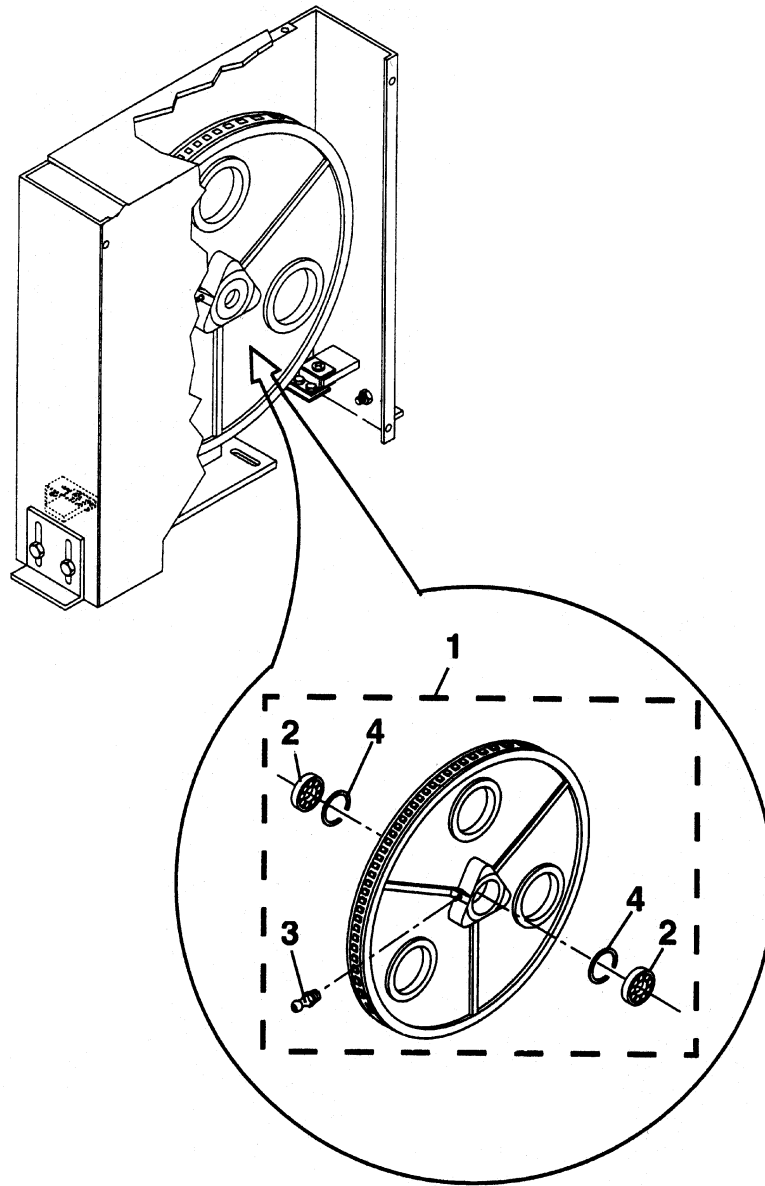
Elevonic® 411 Smart Primary Position Transducer



**W/O VINTAGE &
VINTAGE Y 01**

REF. No.	PART No.	DESCRIPTION
1	AAA00718AAJ001	Battery
2	AAA174AMN1	Cable, SPPT Battery
3	AAA174NC1	Cable, SPPT NEB
	AAA174NC2	Cable, SPPT Mod
4	444BL8	Plug, Plastic, Black
5	444AX38	Plug, Plastic, Yellow
6	602324	Plug, Breather, Brass
7	ABA21430AAA002	Transducer, Smart Primary Position

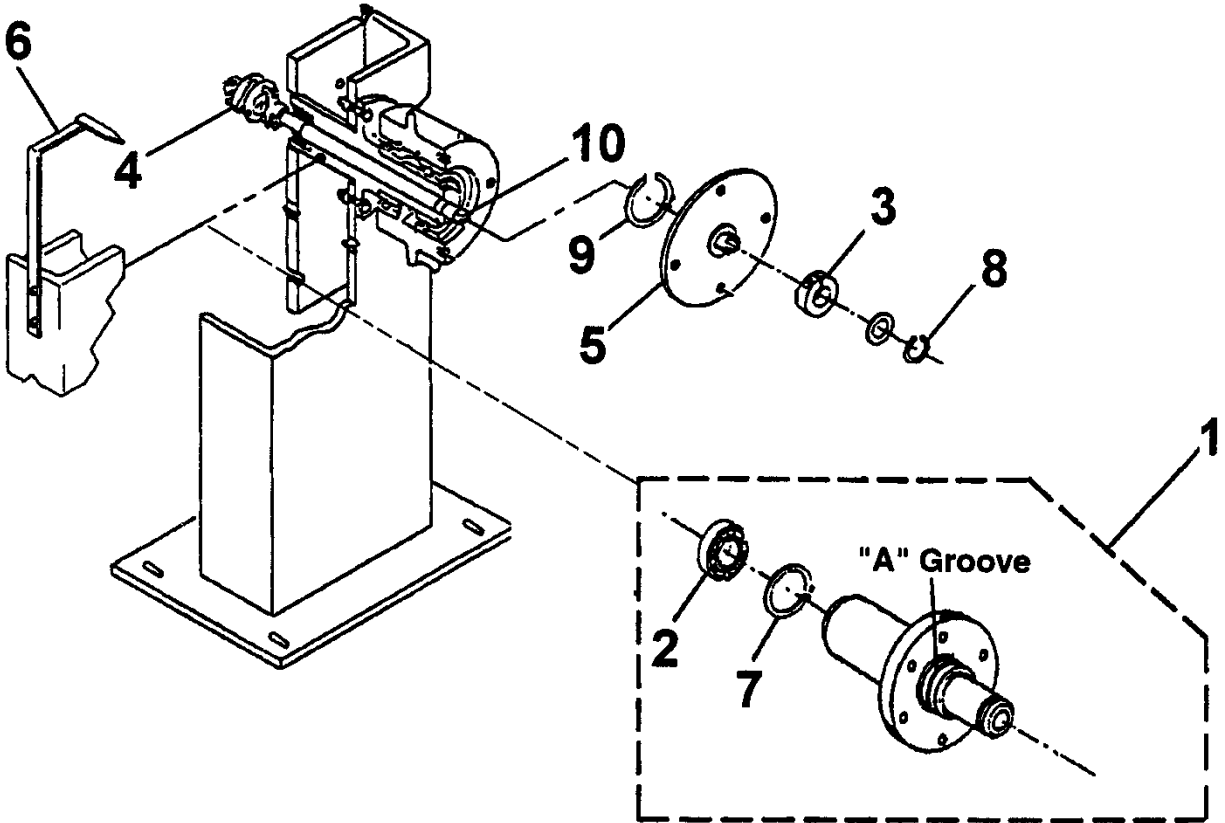
Sprocket Parts



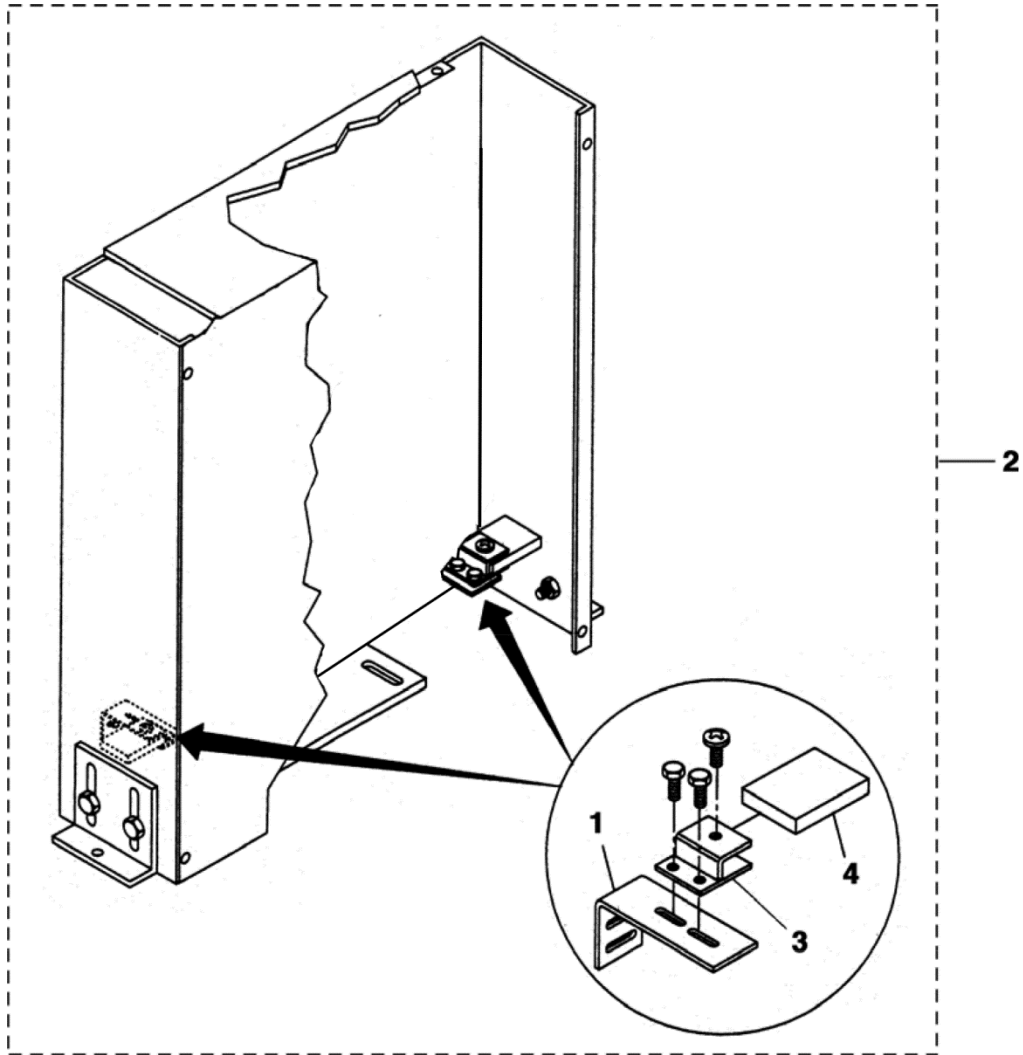
**W/O VINTAGE &
VINTAGE Y 01**

REF. No.	PART No.	DESCRIPTION
1	195GN2	Assembly, Sprocket
2	207Z18	Bearing, Qty. 2
3	435C1	Fitting, Grease
4	172CY4	Ring, Retaining, 2.7 in. \varnothing , Qty. 2, Ref. 1

(Continued on next page)

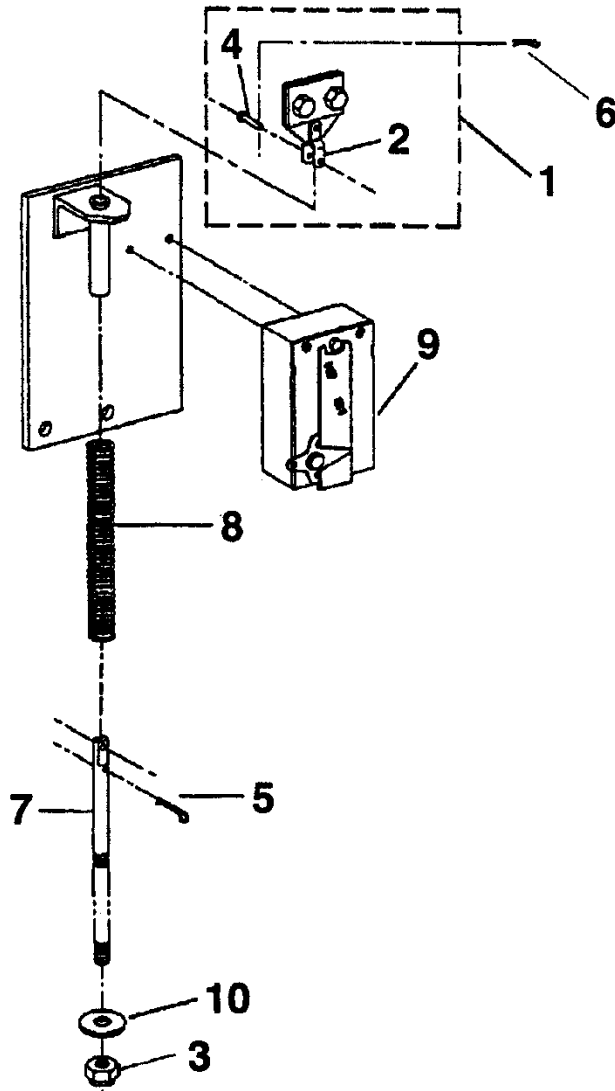
12-7145B**7145B PPT Stand Assembly—
Shaft and Sundries****W/O VINTAGE &
VINTAGE Y 01**

REF. No.	PART No.	DESCRIPTION
1	396JF2	Assembly, Housing
2	207Z72	Bearing
3	AAB336LF1	Clamp
4	215BK3	Coupling
5	AAA353DG1	Disc
6	AAA00274AAA001	Pointer
7	172CY20	Ring, Retaining, 0.97 in. $\text{\textcircled{R}}$, $\text{\textcircled{W}}$ Ref. 1
8	172DE20	Ring, Retaining, 0.338 in. $\text{\textcircled{R}}$, $\text{\textcircled{W}}$ Ref. 3
9	172DE4	Ring, Retaining, 1.098 in. $\text{\textcircled{R}}$, Located on Outside Groove "A" of Ref. 1
10	A494JM1	Shaft




**W/O VINTAGE &
VINTAGE Y 01**

REF. No.	PART No.	DESCRIPTION
1	AAA283AQV1	Angle, Formed
2	7145B12	Assembly, Sprocket Guard
3	AAA316GEJ2	Assembly, Wiper Bracket
4	488B1	Wick

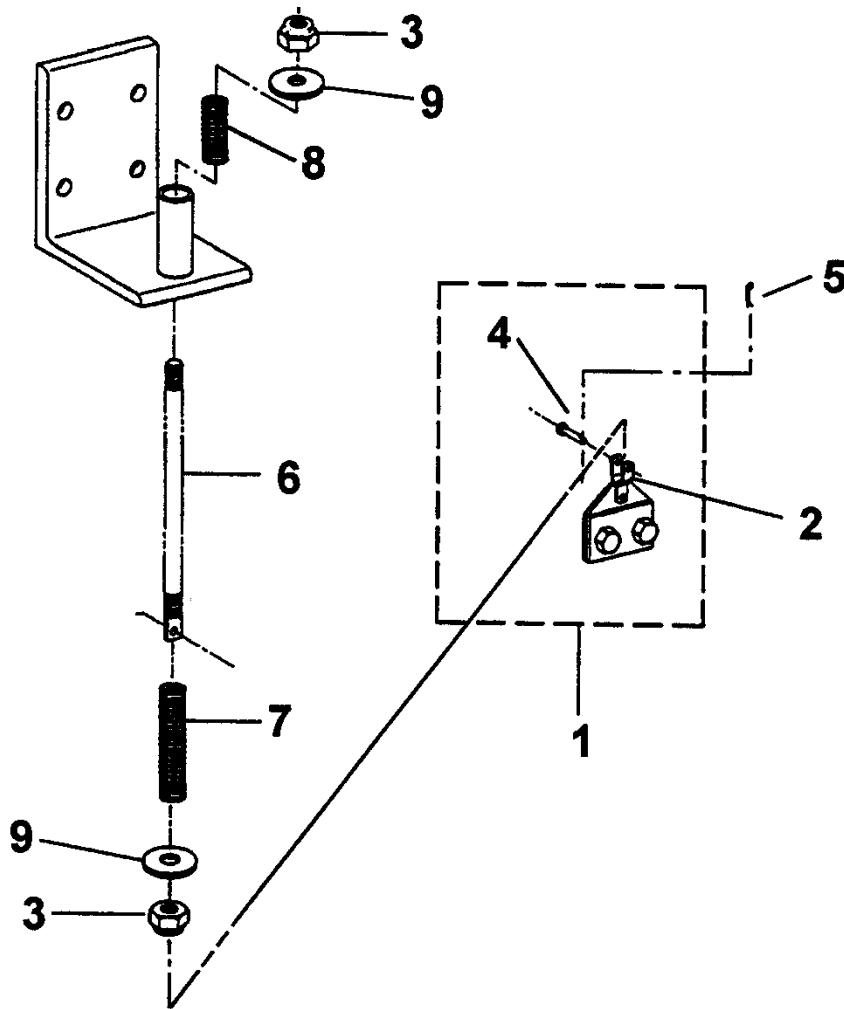


**W/O VINTAGE &
VINTAGE Y 01**

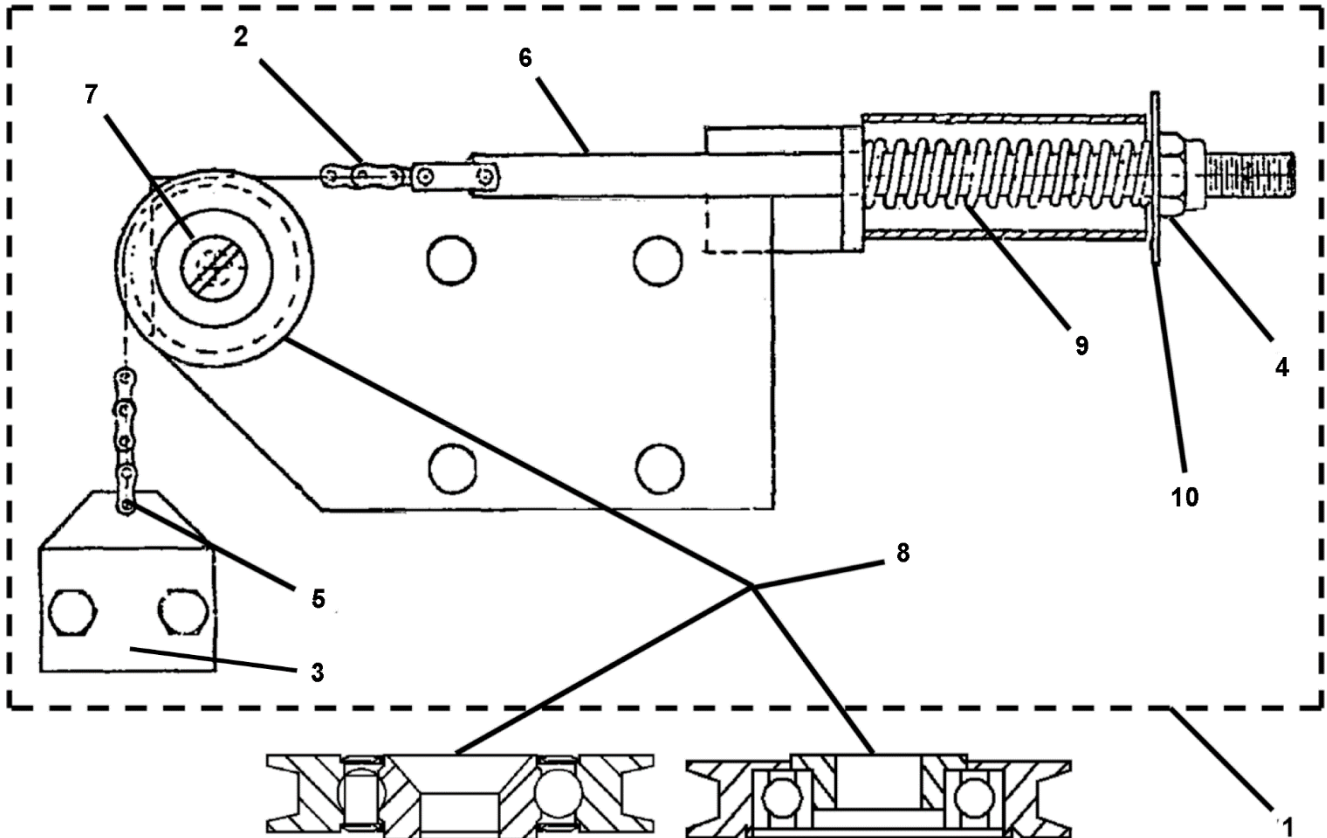
REF. No.	PART No.	DESCRIPTION
1	6199H1	Assembly, Hitch
2	430AD1	Link
3	67AG6	Nut
4	77JB2	Pin
5	---	Pin, Cotter 1/8 in. x 1 in. L
6	---	Pin, Cotter 1/16 in. x 1 in. L
7	98BB1	Rod
8	90KB10	Spring
9	6098D3	Switch,  SPL C-919G
10	386WF1	Washer

Type 6527D Hitch Assembly

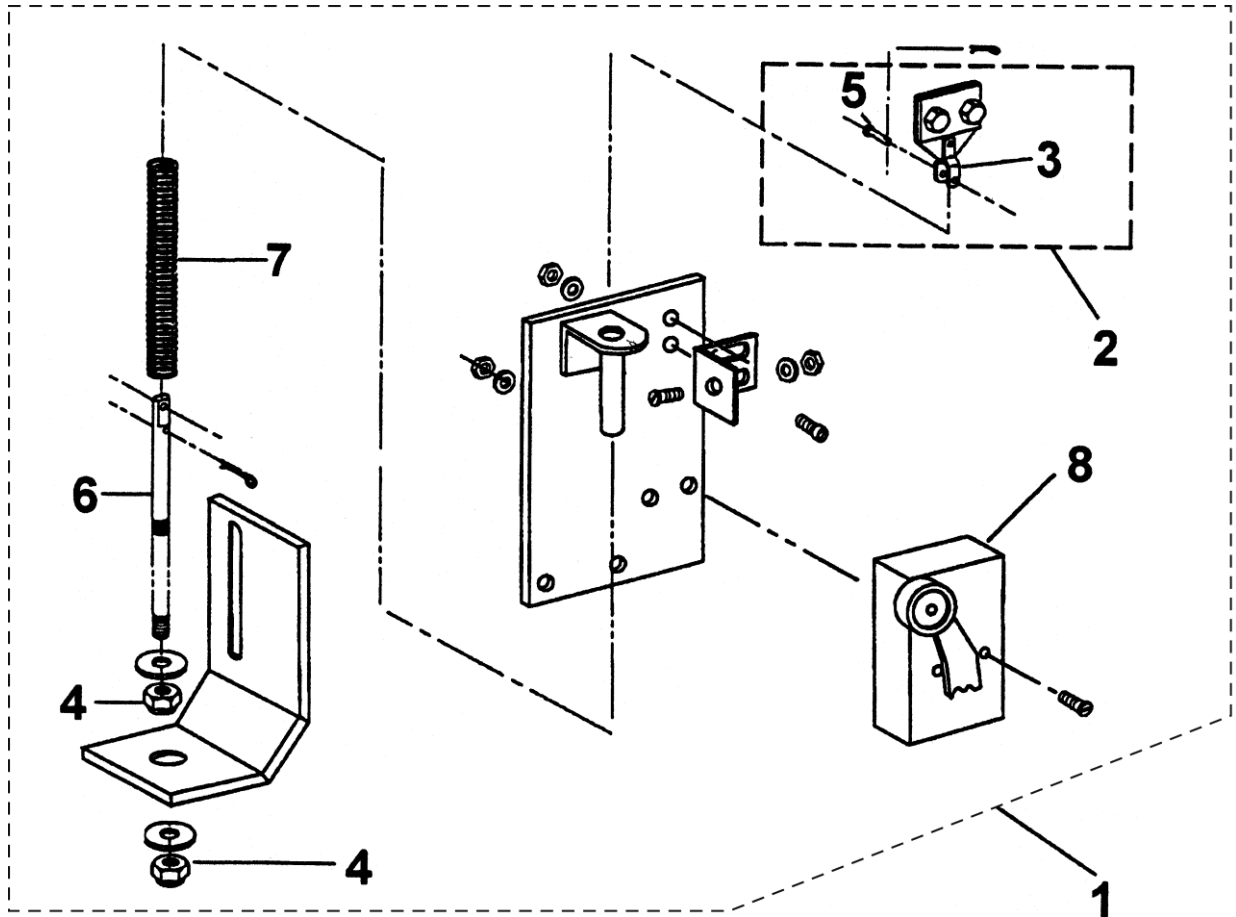
12-7145B




REF. No.	W/O VINTAGE PART No.	DESCRIPTION
1	6199H1	Assembly, Hitch
2	430AD1	Link
3	67AG6	Nut
4	77JB2	Pin
5	---	Pin, Cotter 1/16 in. x 1 in. L
6	98EK1	Rod
7	90XB3	Spring, Located on Ref. 6 Rod
8	90ZB6	Spring, Located Inside Bracket Cylinder
9	386WF1	Washer

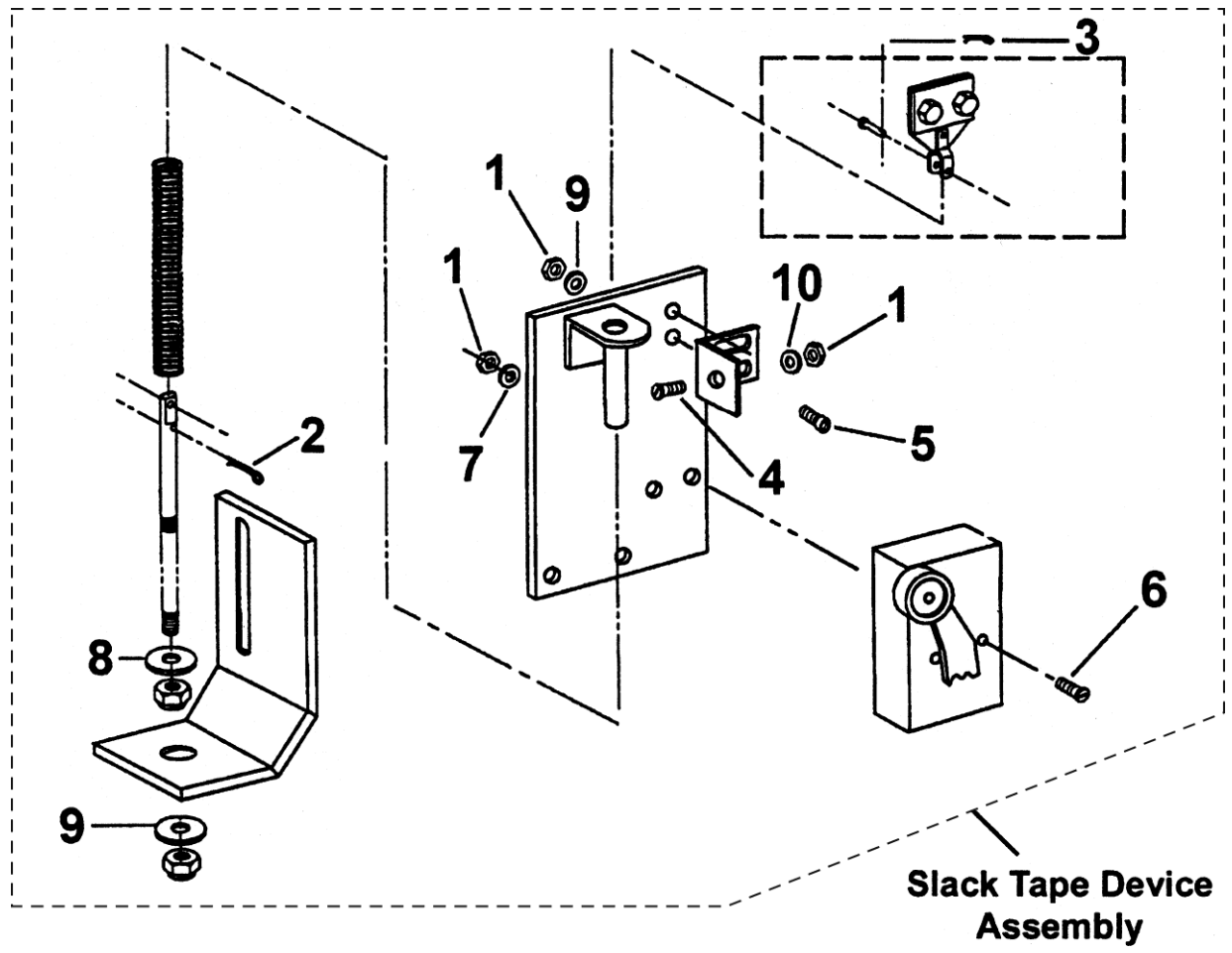
12-7145B**Type 6527B Hitch Assembly**

W/O VINTAGE		
REF. No.	PART No.	DESCRIPTION
1	6527B1	Assembly, Hitch
2	332AD4 332AD2	Chain
3	6199H2	Hitch
4	67AG6	Nut
5	144R5	Rivet
6	98BB1	Rod
7	Local Purchase	Screw, Countersunk (3/8X1 FLAT MACH SCR)
	124DT1	Screw, Counterbore
8	290B1	Sheave, Countersunk Screw
	290B2	Sheave, Counterbore Screw
9	90XB3	Spring
10	127Z10 127VB179	Washer



W/O VINTAGE		
REF. No.	PART No.	DESCRIPTION
1	AAA6200G1	Assembly, Self-Resetting Slack Tape Device
2	6199H1	Assembly, Hitch
3	430AD1	Link
4	67AG6	Nut
5	77JB2	Pin
6	98BB3	Rod
7	90KB10	Spring
8	A6098B36	Switch,  SPL C-919G

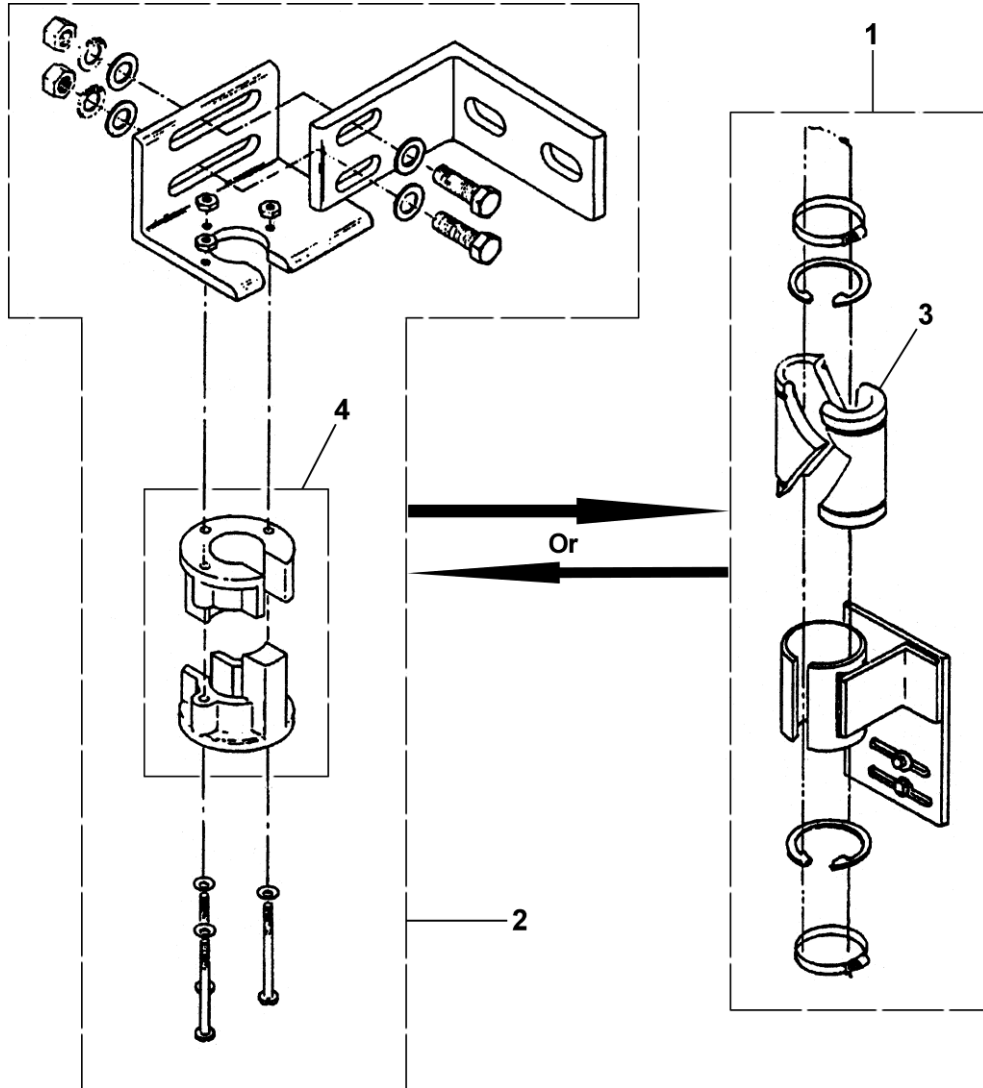
(Continued on next page)




Slack Tape Device Assembly

W/O VINTAGE		
REF. No.	PART No.	DESCRIPTION
1	- - -*	Nut, Jam 1/4-20
2		Pin, Cotter, 1/8 x 1.0 in. L
3		Pin, Cotter, 1/16 x 1.0 in. L
4		Screw, Hex Socket Shoulder, 1/16 x 1/4
5		Screw, Hex Socket Shoulder, 1/16 x 3/4
6		Screw, Pan Head Machine, 14 x 3/4 in. L
7		Washer, External Lock, 1/4 in.
8		Washer, 1/2 in.
9		Washer, Spring Lock, 1/2 in.
10		Washer, Spring Lock, 1/4 in.

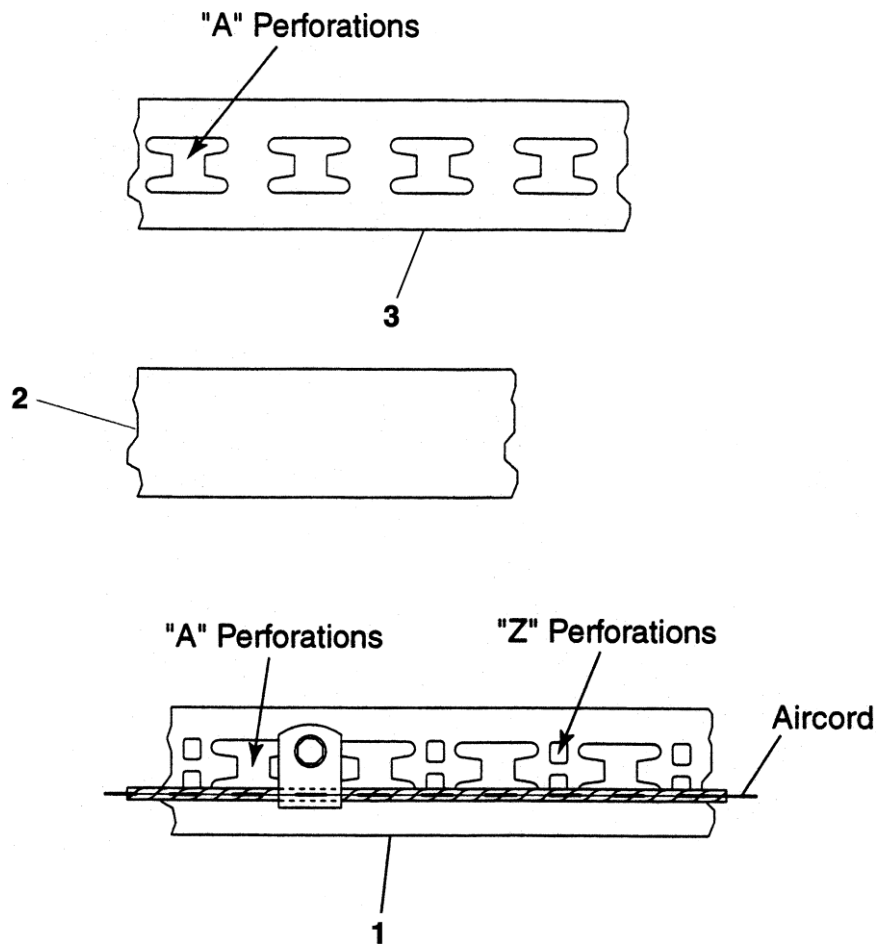
* Commercial parts—order locally.



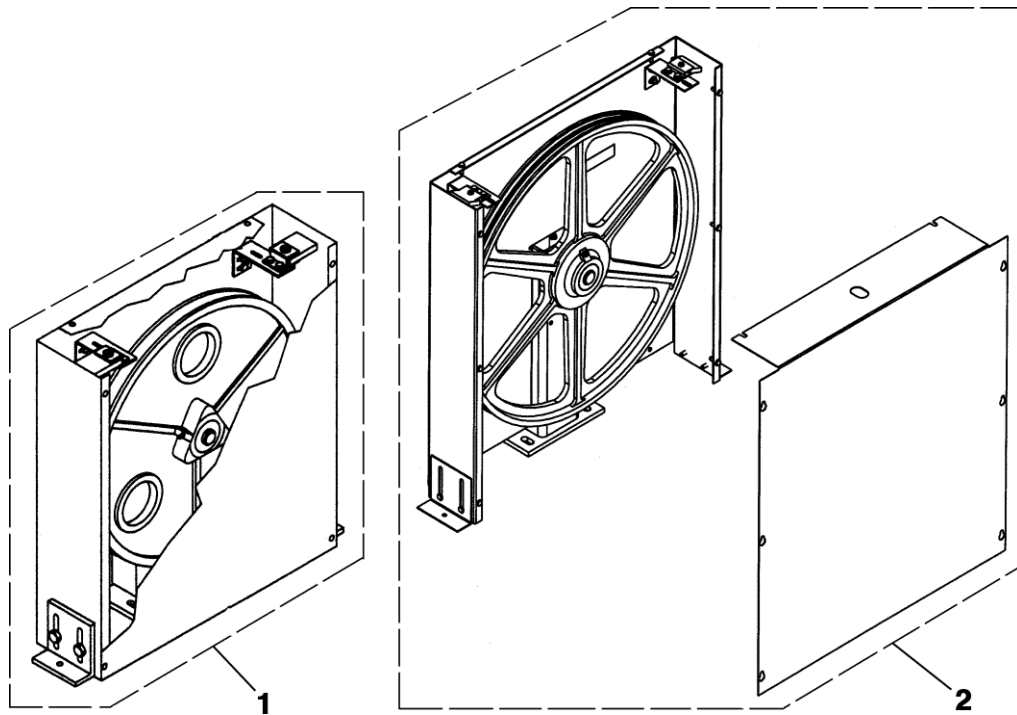
W/O VINTAGE		
REF. No.	PART No.	DESCRIPTION
1	CAA22400A1	Assembly, Tape Guide,  Nylon Insert
2	B6199T1	Assembly, Tape Guide
3	CAA385A1	Guide, Nylon, Split
4	385JW1	Guide, Tape

Type 297B Selector Tape

12-7145B



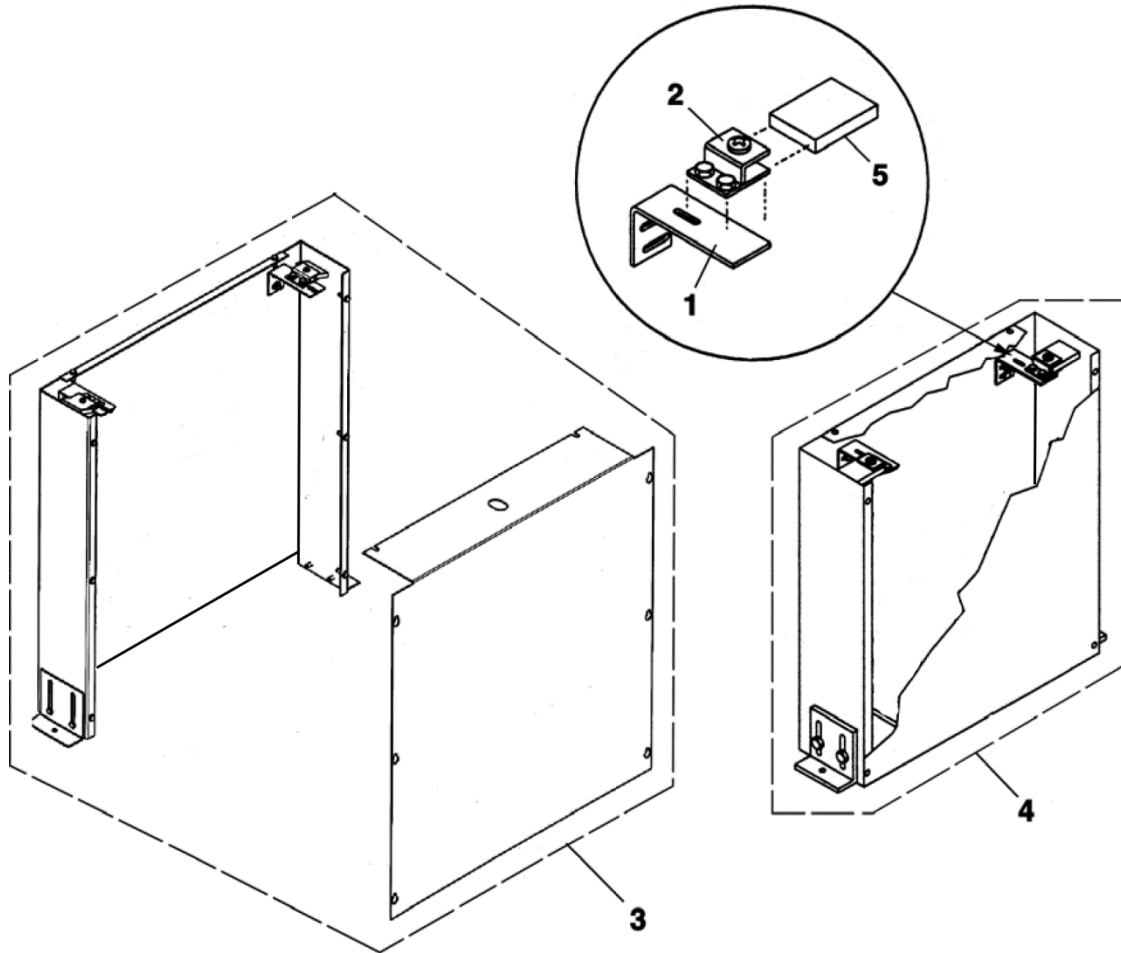
W/O VINTAGE		
REF. No.	PART No.	DESCRIPTION
1	297B4	Assembly, Tape, w/ "A" & "Z" Perforations to Aircord, (Open Hoistway Applications)
2	297B2	Tape, Plain, w/o Perforations
	3/4x015-STEEL	Tape, Plain, w/o Perforations, 0.75 in. Wide, 0.015 in. Thick (pre-1940s vintage)
3	297B5	Tape, Stainless Steel, w/ "A" Perforations
	297B1	Tape, Steel, w/ "A" Perforations
	297B6	Tape, Competitor Product Replacement Tape (Armour, 1.00 in. pitch)

12-7145B**Type 6730C Idler Pulley Assembly****W/O VINTAGE &
VINTAGE Y 01**

REF. No.	PART No.	DESCRIPTION	SPROCKET	RISE
1	4503G2 6730C3 6730C6	Assembly, Idler Pulley (Guard Included)	16.42 in. \odot	<729 ft. 9 in.
2	4503G3 6730C5 6730C9	Assembly, Idler Pulley (Guard Included)	24.52 in. \odot	>729 ft. 9 in.

6730C Idler Pulley Guard Kit

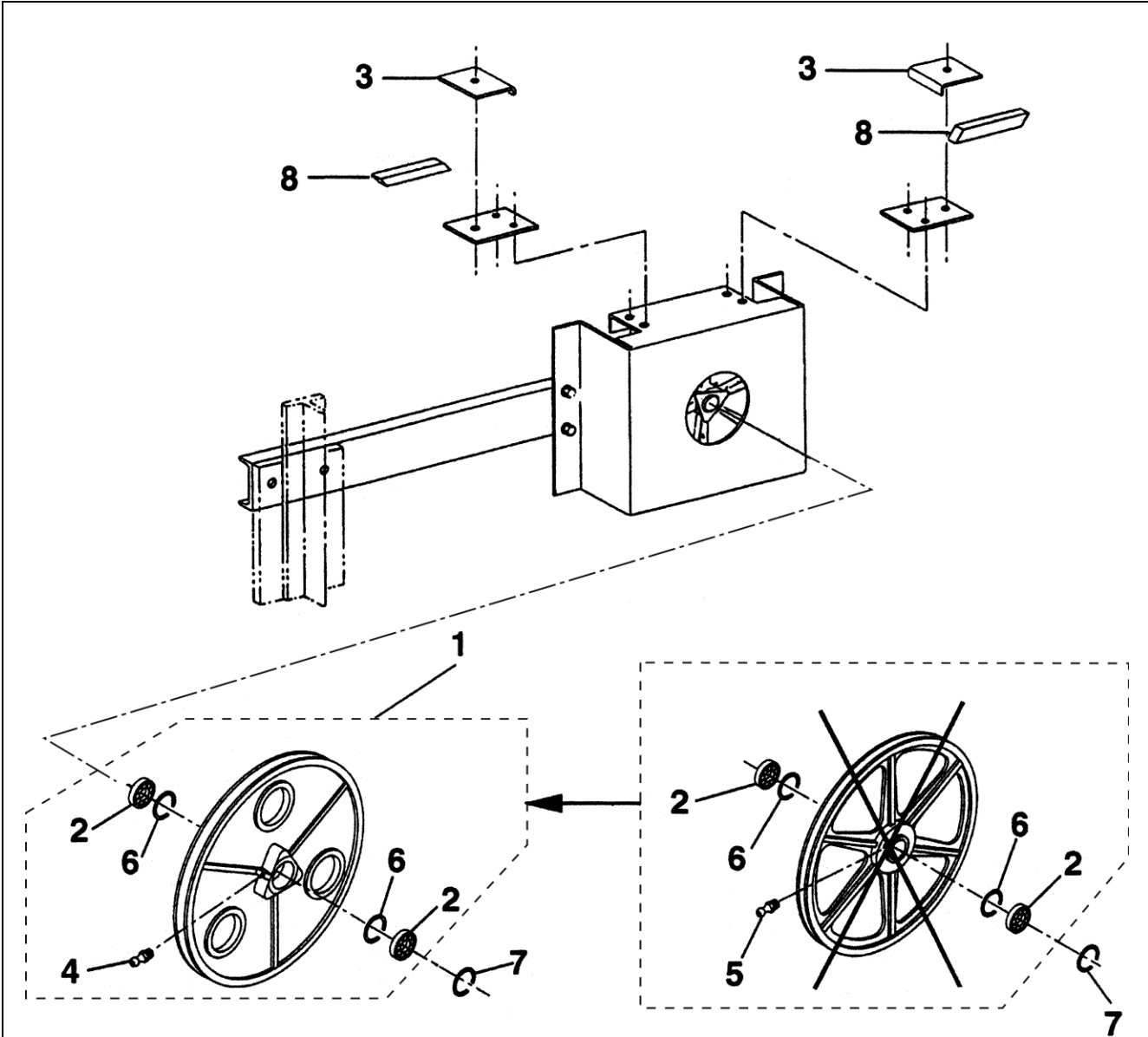
12-7145B



W/O VINTAGE		
REF. No.	PART No.	DESCRIPTION
1	AAA283AQV1	Angle, Formed
2	AAA316GEJ2	Bracket, Wiper
3	AAA384AQQ1	Guard, Idler Pulley (Sprocket \varnothing 24.52 in.)
4	6730C7	Guard, Idler Pulley (Sprocket \varnothing 16.42 in.)
5	488B1	Wick

Type 6730H Idler Pulley Assembly

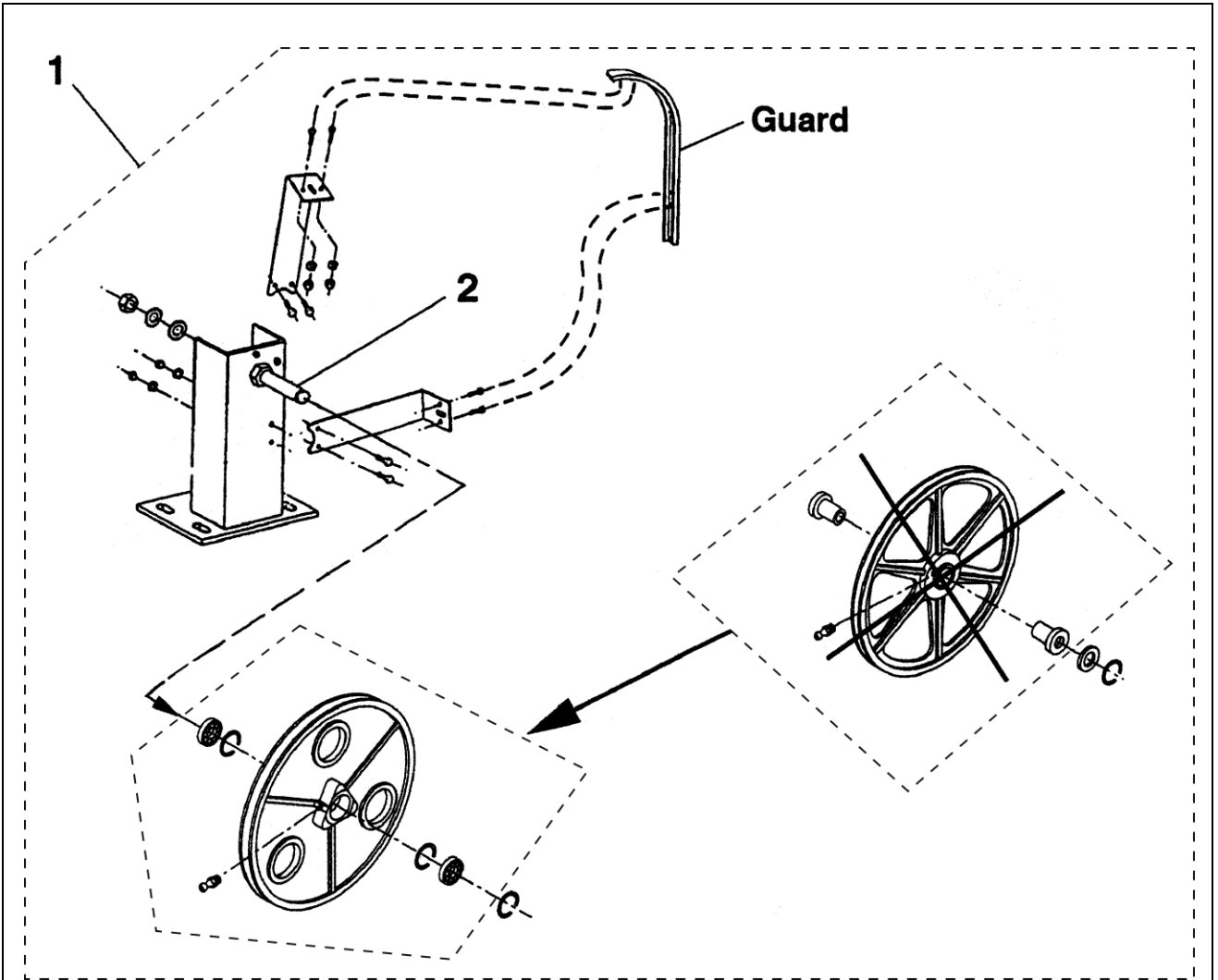
12-7145B



**W/O VINTAGE &
VINTAGE Y 01**

REF. No.	PART No.	DESCRIPTION
1	495EH4 AAA198AT3	Assembly, Pulley
2	207Z11	Bearing
3	339BN6	Clip
4	435C1	Fitting, Grease
5	435B4	Fitting, Grease (for obsolete sprocket)
6	172CY7	Ring, Retaining, Located Inside of Sprockets
7	172DE12	Ring, Retaining, Located Outside of Sprockets
8	488B1	Wick

This document does not contain any technical data subject to EAR or ITAR
Unpublished Work—Otis Elevator Co., 2023

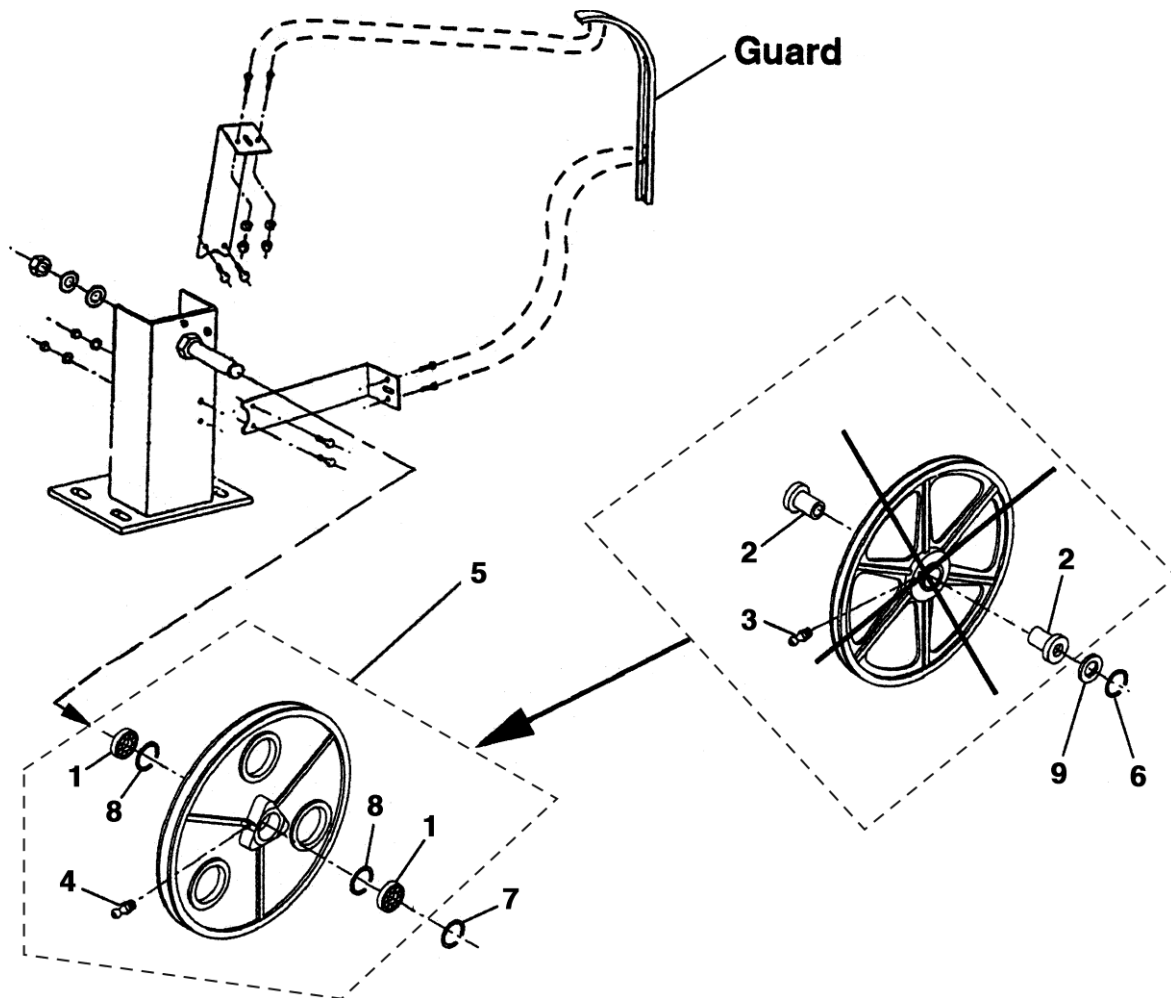
12-7145B**Type 6730D Deflector Pulley Assembly**

		W/O VINTAGE
REF. No.	PART No.	DESCRIPTION
1	6730D1 6730D3	Assembly, Deflector Pulley (as shown)
	6730D2 6730D4	Assembly, Deflector Pulley (opposite)
	6730D5 6730D6	Assembly, Deflector Pulley (w/o guard)
2	77NL2	Pin, for AAA198AT3 Pulley, L = 2.545 in.
	77NL1	Pin, L = 2.925 in., for A195BR3 Flange Bushing Sprocket

(Continued on next page)

Type 6730D Deflector Pulley Assembly

12-7145B

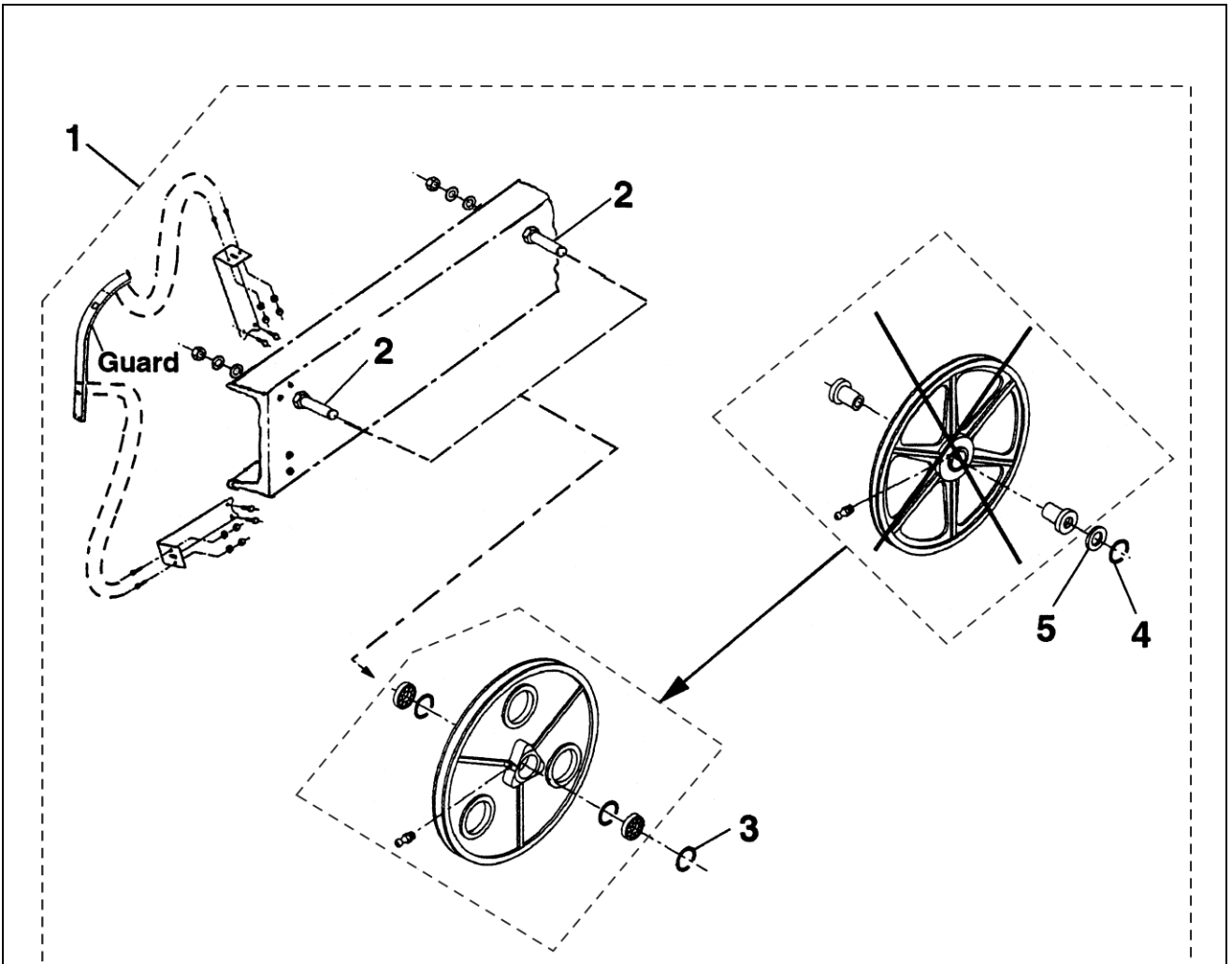


W/O VINTAGE		
REF. No.	PART No.	DESCRIPTION
1	207Z11	Bearing, Ball
2	335H15	Bushing, Flange
3	435AB2	Cover, Oil Hole
4	435C1	Fitting, Grease
5	A195BR3*	Pulley (w/ Flange-Type Bushings)
	AAA198AT3	Pulley (w/ Ball Bearings)
6	172DE2	Ring, Retaining, Located Outside A195BR3 Sprocket
7	172DE12	Ring, Retaining, Located Outside of AAA198AT3 Sprocket
8	172CY7	Ring, Retaining, Located Inside of AAA198AT3 Sprocket
9	127VD4	Washer

* For bushing sprocket (p/n 195BR3) conversion to ball bearing version, sprocket kit (p/n AAA198AT4).

12-7145B

Type 6730E Double Deflector Pulley Assembly

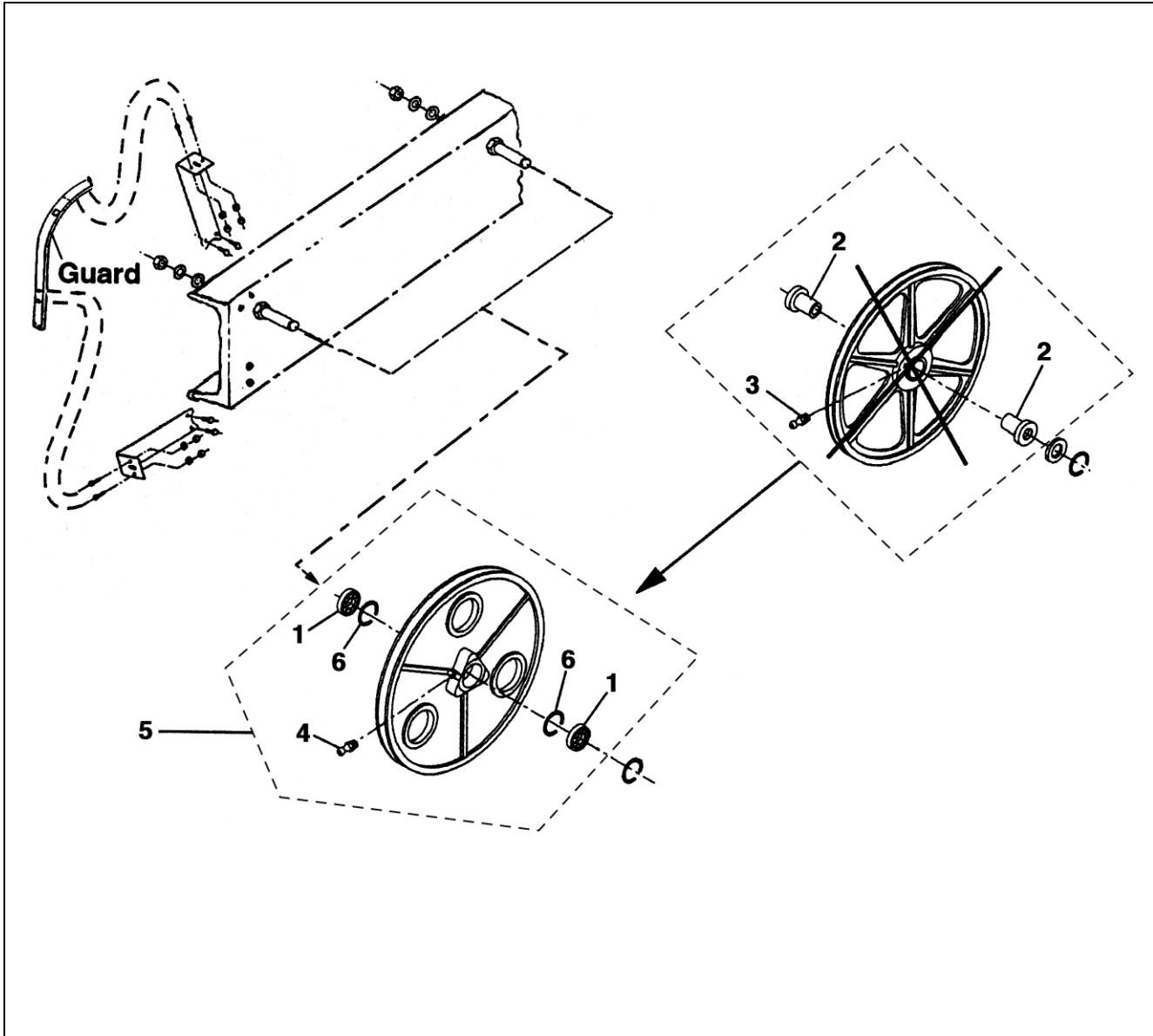


		W/O VINTAGE
REF. No.	PART No.	DESCRIPTION
1	6730E1 6730E3	Assembly, Double Deflector Pulley (as shown)
	6730E2 6730E4	Assembly, Double Deflector Pulley (opposite)
2	77NL2	Pin, for AAA198AT3 Pulley, L = 2.545 in.
3	172DE12	Ring, Retaining, 0.925 in. Ⓢ
4	172DE2	Ring, Retaining
5	127VD4	Washer

(Continued on next page)

Type 6730E Double Deflector Pulley Assembly

12-7145B

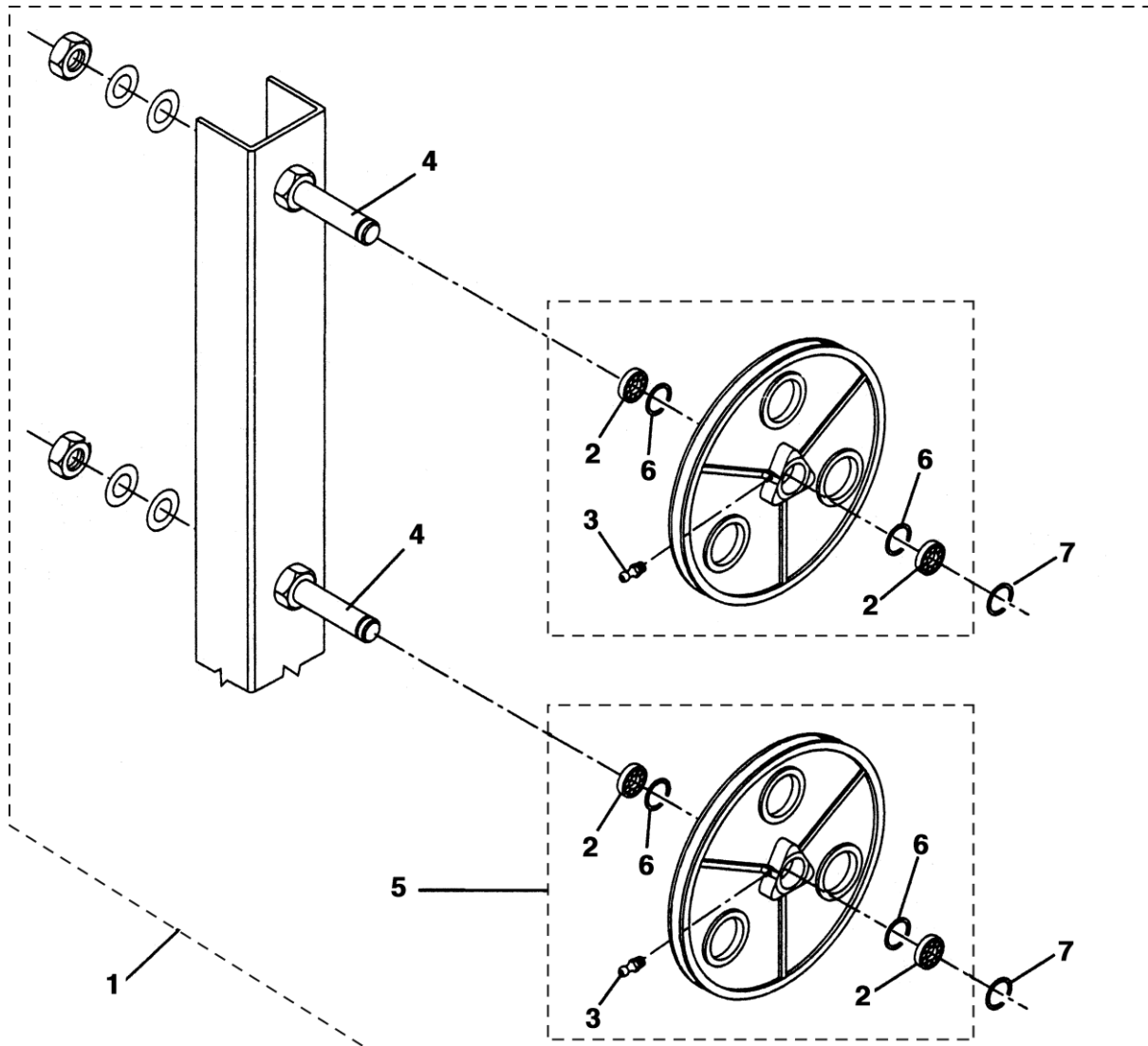


W/O VINTAGE		
REF. No.	PART No.	DESCRIPTION
1	207Z11	Bearing, Ball
2	335H15	Bushing, Flange
3	435AB2	Cover, Oil Hole
4	435C1	Fitting, Grease
5	A195BR3*	Pulley (w/ flange-type bushings)
	AAA198AT3	Pulley (w/ ball bearings)
6	172CY7	Ring, Retaining

* For bushing sprocket (p/n 195BR3) conversion to ball bearing version, sprocket kit (p/n AAA198AT4).

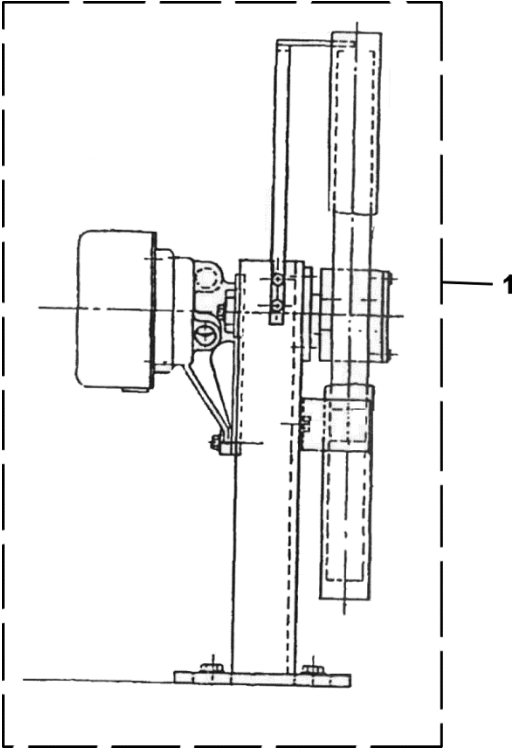
12-7145B

Type 6730F Double Tape Idler Pulley Assembly



**W/O VINTAGE &
VINTAGE Y 01**

REF. No.	PART No.	DESCRIPTION
1	6730F1	Assembly, Double Tape Idler Pulley
2	207Z11	Bearing, Ball
3	435C1	Fitting, Grease
4	77NL2	Pin, for AAA198AT3 Sprocket
5	AAA198AT3	Pulley (w/ Ball Bearings)
6	172CY7	Ring, Retaining, Located Inside of Each Sprocket
7	172DE12	Ring, Retaining, Located Outside of Each Sprocket on Ref. 4



W/O VINTAGE & VINTAGE Y 01		
REF. No.	PART No.	DESCRIPTION
1	7145B1	Assembly, PPT with Transducer E401
2	7145B2	Assembly, PPT with Transducer E311, E411
3	7145B10	Assembly, PPT without Transducer E311, E401, E411