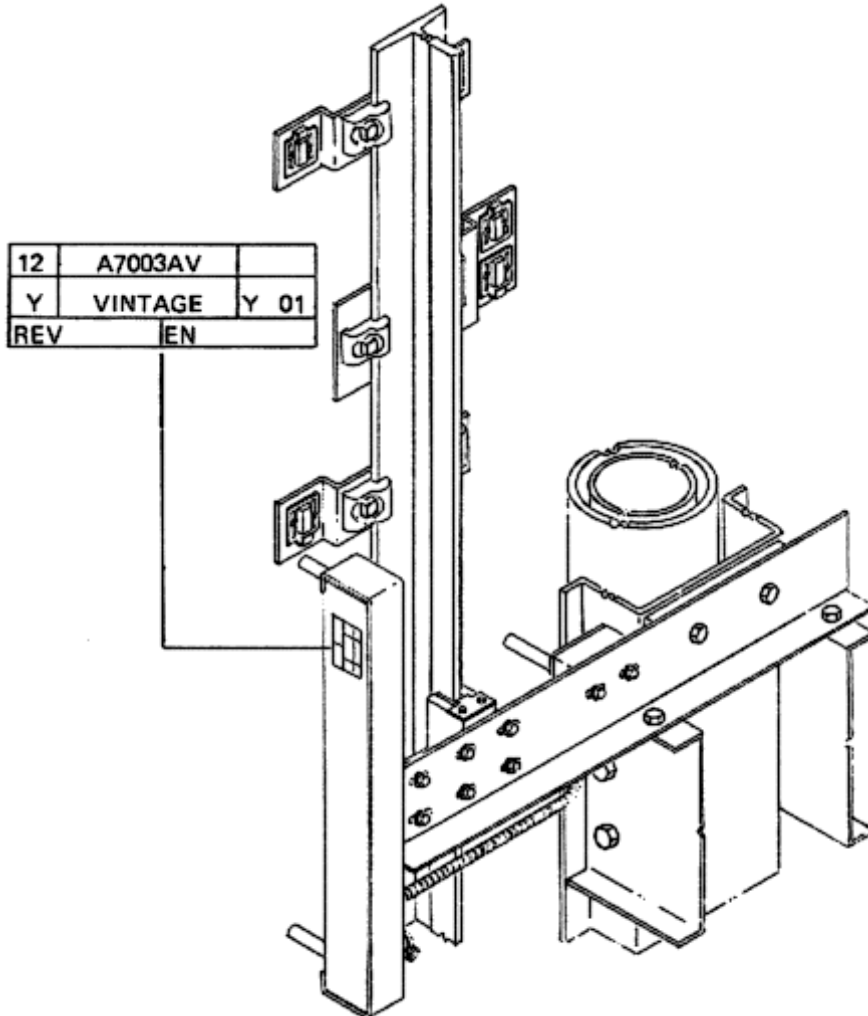


Inductor Switch Assembly

Spare Parts Leaflet
12-A7003AV

October 9, 2019 / Page 1 of 3



OTIS

This document does not contain any
technical data subject to EAR or ITAR

SERVICE ENGINEERING
Otis Elevator Company
Bloomfield, Connecticut USA

Unpublished Work—© Otis Elevator Co.; 2019

Leaflet Description

This leaflet provides spare parts information for inductor switch assembly

Leaflet Revisions

Date Revised	Subject Matter Expert	Reason for Revision
February 1986	---	New SPL
October 9, 2019	Gary Mendrala	Updated information

Related Drawings

Drawing No.	Title	Drawing No.	Title
A7003AV	Inductor Switch Assembly		

Related Documents

Document ID	Title
---	---

Subject Matter Expert

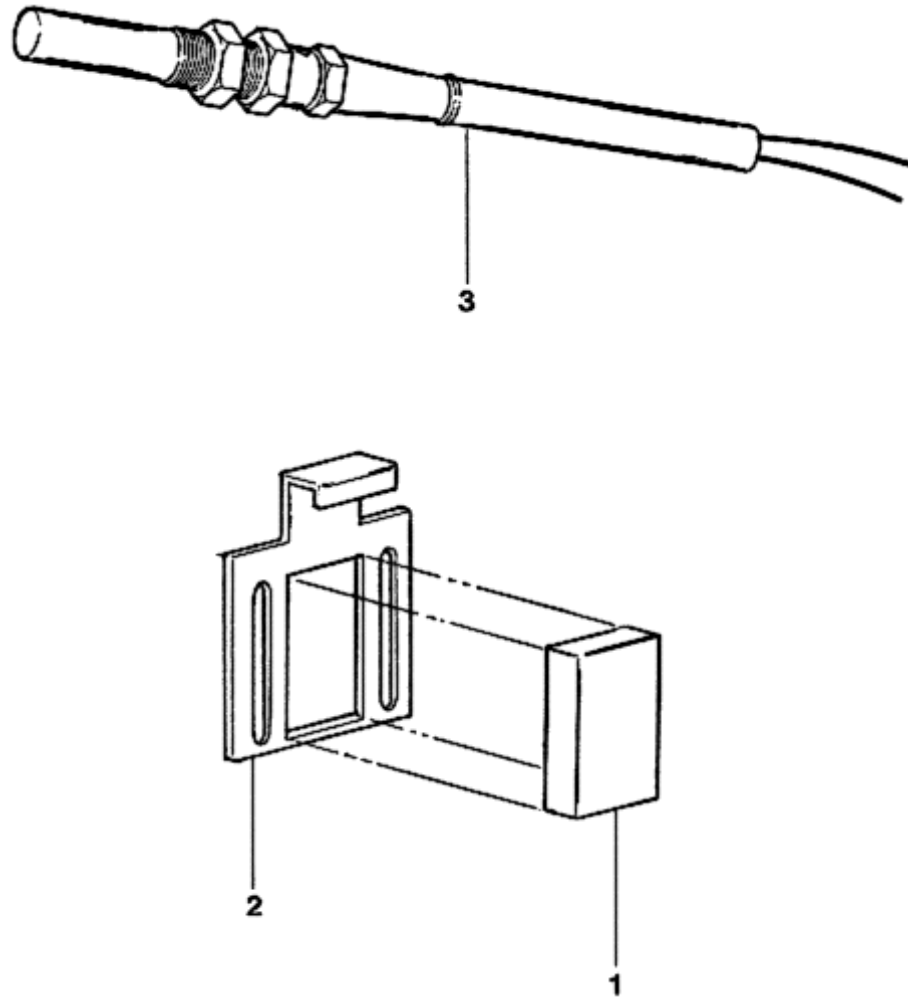
Name	Department
Gary Mendrala	OSC Service Engineering

About Spare Parts Leaflets...

This document lists the lowest replaceable units (LRUs) for the standard version of the product. The LRUs are chosen by a team of Otis associates representing engineering and manufacturing.

While goal of this document is to make parts identification as easy as possible, the document cannot be all-inclusive. Elevator and escalator contracts classified as "special" or "custom" are not addressed here. For such contracts, please refer to specified information, the contract folder, TIPS, Field Education Articles, Construction Letters, etc. for further information.

If you have any suggestions about this document, please contact the subject matter expert listed on this page.



REF. No.	PART No.	DESCRIPTION
	W/O VINTAGE & VINTAGE Y 01	
1	FO233B1	Magnet
2	FO396AS1	Magnet Housing
3	FO177BP4 FAA177DC1	Switch, Interrupter