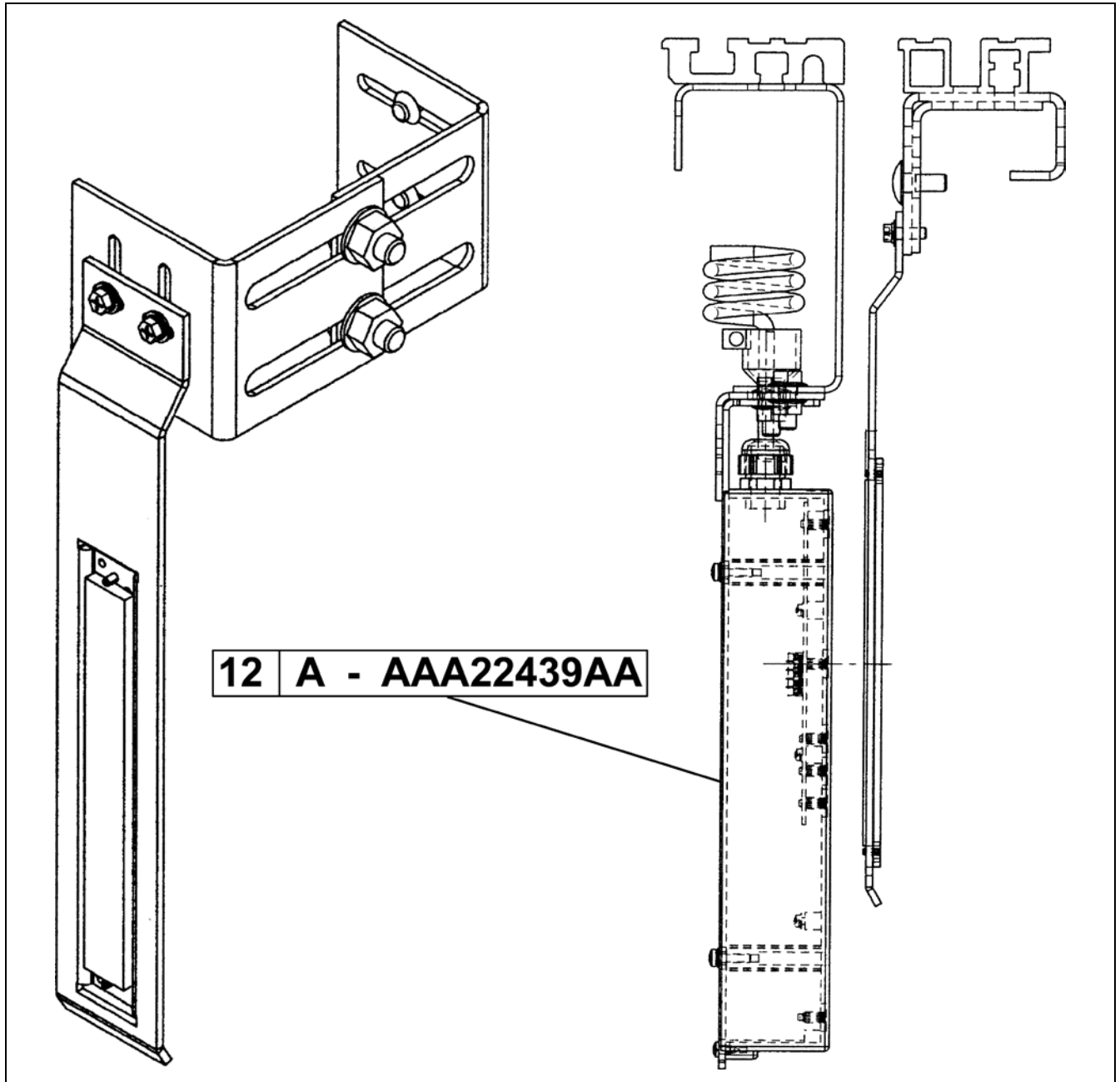


Position Reference
System

Spare Parts Leaflet

12-AAA22439AA

June 14, 2017 / Page 1 of 3



OTIS

This document contains technical data
subject to EAR. ECCN: EAR99

SERVICE ENGINEERING
Otis Elevator Company
Bloomfield, Connecticut USA

Unpublished Work—© Otis Elevator Co.; 2017

Leaflet Description

This SPL provides spare parts for Gen2 L and Gen2 – 150/200 global position reference system.

Leaflet Revisions

Date Revised	Subject Matter Expert	Reason for Revision
September 18, 2008	Anying Shen / Ali Bozorgzadeh	New SPL
September 14, 2011	Ali Bozorgzadeh	Updated the title on the cover page and the leaflet description on the history page.
November 13, 2013	Gary Mendrala	Updated history page with correct SME information
June 14, 2017	Gary Mendrala	Added part numbers AAA22440B3, KAA233AAC12, and VP-420422 on p. 3

Related Drawings

Drawing No.	Title	Drawing No.	Title
AAA22439AA	RPD Sensor Assembly Position Reference System		

Related Documents

Document ID	Title
SPL 12-AAA22440L	<i>Position Reference System</i>

Subject Matter Expert

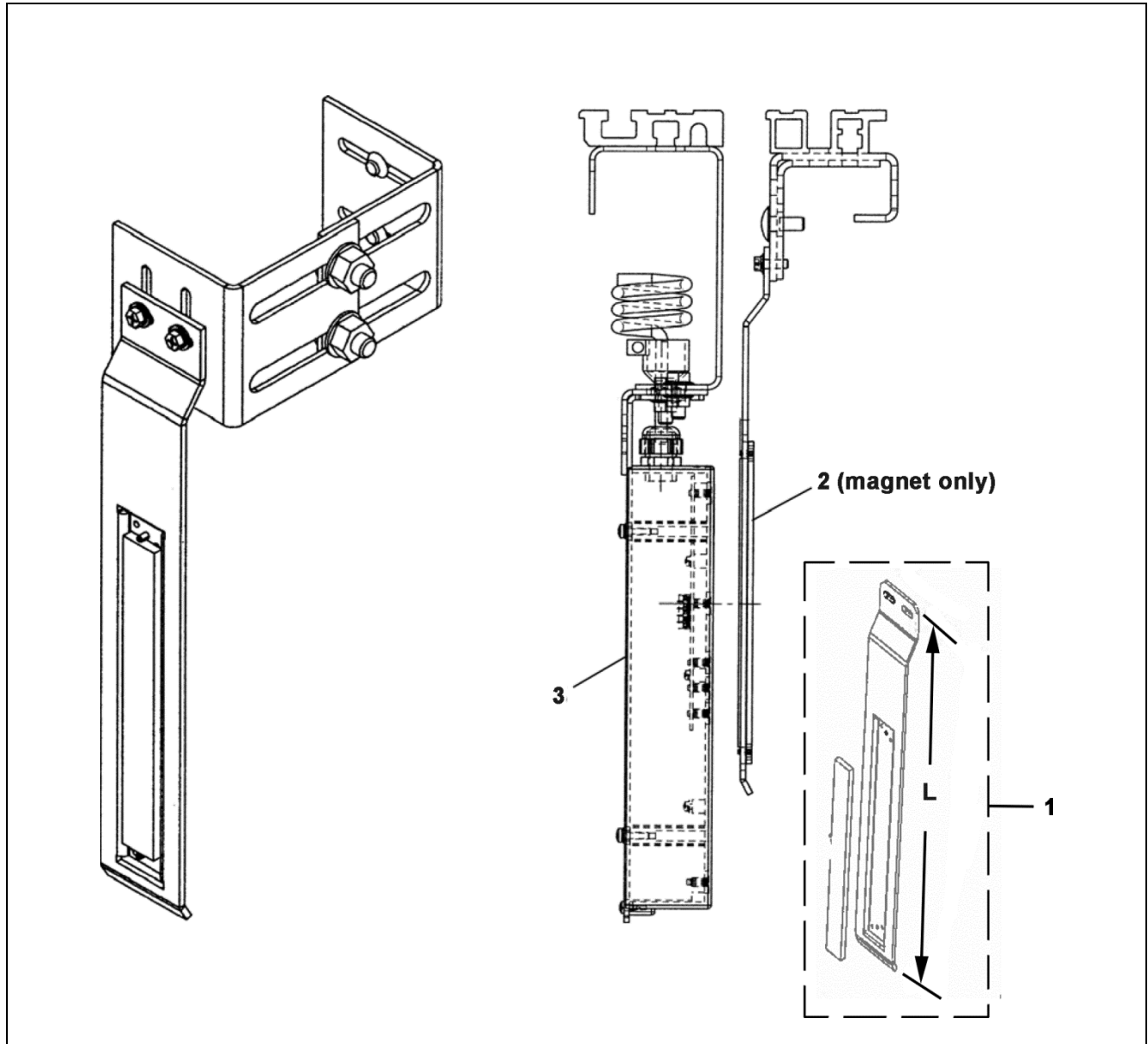
Name	Department
Gary Mendrala	OSC Service Engineering

About Spare Parts Leaflets...

This document lists the lowest replaceable units (LRUs) for the standard version of the product. The LRUs are chosen by a team of Otis associates representing engineering and manufacturing.

While goal of this document is to make parts identification as easy as possible, the document cannot be all-inclusive. Elevator and escalator contracts classified as “special” or “custom” are not addressed here. For such contracts, please refer to specified information, the contract folder, TIPs, Field Education Articles, Construction Letters, etc. for further information.

If you have any suggestions about this document, please contact the subject matter expert listed on this page.



REF. No.	PART No.	DESCRIPTION
1	AAA22440B1	Assembly, Magnet, RDP Reflector, PRS, L = 12.7 in.
	AAA22440B3	Assembly, Magnet, RDP Reflector, PRS, L = 13.5 in.
2	KAA233AAC12	Magnet w/ Adhesive on Back
3	AAA22440A2	Sensor, PRS
*	VP-420422	Wipe, Alcohol (not shown)