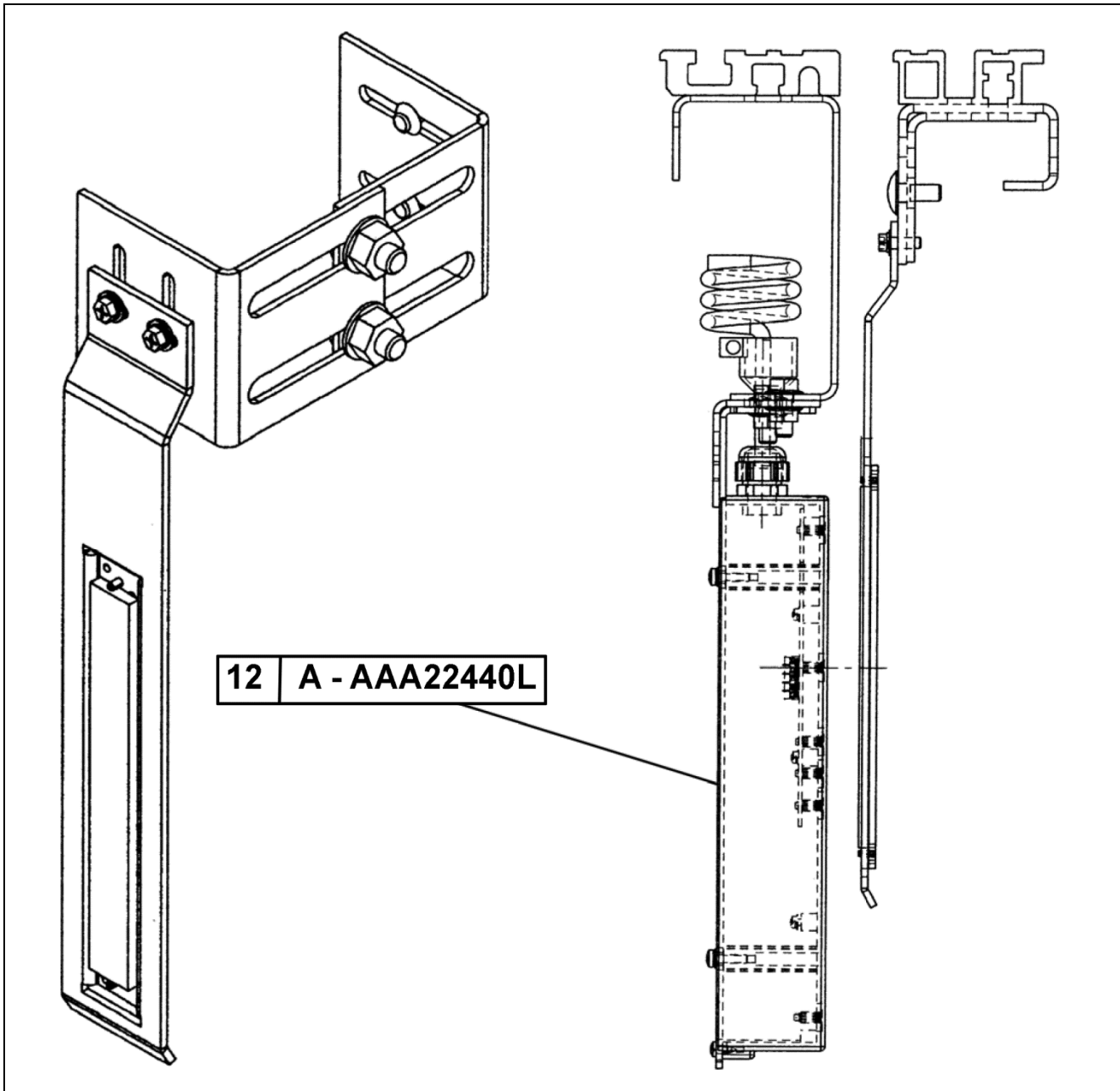


# Position Reference System

## Spare Parts Leaflet 12-AAA22440L

July 27, 2016 / Page 1 of 3



# OTIS

**SERVICE ENGINEERING**  
Otis Elevator Company  
Bloomfield, Connecticut USA

Unpublished Work—© Otis Elevator Co.; 2016

**Leaflet Description**

This SPL provides spare parts for Gen2 Overslung global position reference system.

**Leaflet Revisions**

<b>Date Revised</b>	<b>Subject Matter Expert</b>	<b>Reason for Revision</b>
July 27, 2016	Priyank Mehta Gary Mendrala	New SPL

**Related Drawings**

<b>Drawing No.</b>	<b>Title</b>	<b>Drawing No.</b>	<b>Title</b>
AAA22440L	RPD Sensor Assembly Position Reference System		

**Related Documents**

<b>Document ID</b>	<b>Title</b>
---	---

**Subject Matter Expert**

<b>Name</b>	<b>Department</b>
Gary Mendrala	OSC Service Engineering

**About Spare Parts Leaflets...**

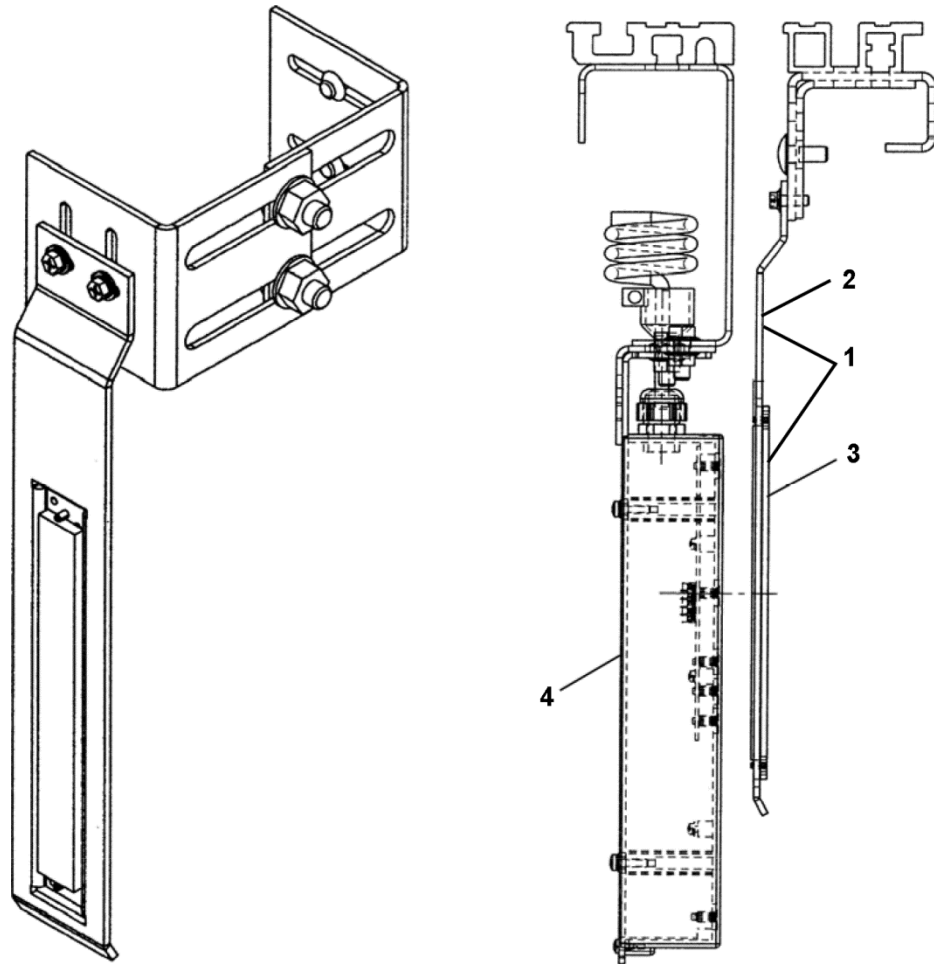
This document lists the lowest replaceable units (LRUs) for the standard version of the product. The LRUs are chosen by a team of Otis associates representing engineering and manufacturing.

While goal of this document is to make parts identification as easy as possible, the document cannot be all-inclusive. Elevator and escalator contracts classified as “special” or “custom” are not addressed here. For such contracts, please refer to specified information, the contract folder, TIPs, Field Education Articles, Construction Letters, etc. for further information.

If you have any suggestions about this document, please contact the subject matter expert listed on this page.

# PRS Magnet and Sensor

**12-AAA22440L**



AAA22440L		
REF. No.	PART No.	DESCRIPTION
1	AAA22440B4	Assembly, Bracket and Magnet, for Mod Applications
2	AAA316HJF5	Bracket, PRS Magnet
3	KAA233AAC12	Magnet, Permanent
4	AAA22440A3	Sensor, PRS