

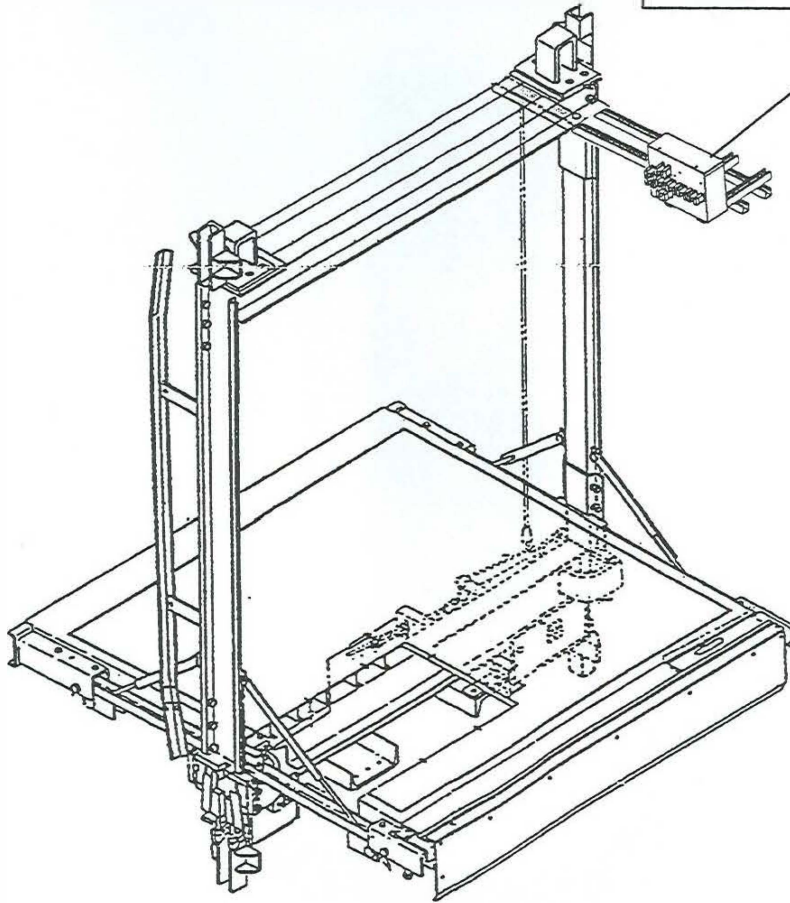
**Optical
Positioning
Device**

Spare Parts Leaflet

12-AAA25550D

March 1999 / Page 1 of 6

12	AAA25550D	
Y	VINTAGE	Y 01
REV	EN	



Unpublished Work—© Otis Elevator Co.; 1999

OTIS

Safety First!

SERVICE ENGINEERING

Otis Elevator Company
Bloomfield, Connecticut USA

[Faint, illegible text at the bottom of the page, likely bleed-through from the reverse side.]

History
12-AAA25550D
First Published: March 1999

Optical Positioning Device

REVISED DATE	RESPONSIBLE ENGINEER	PRIMARY REASON FOR REVISION
March 1999	John Doane	New leaflet created from SPL 12-7630H and drawing AAA25550D.

Leaflet Description

Vane reader used with Elevonic® 311M-MS and 411M-MS.

RELATED LEAFLET NUMBERS	TITLES
12-7630H	Position Transducer Device

DRAWING REFERENCES
AAA2550D
AAA2550Z

RELATED DOCUMENT NUMBERS	TITLES
---	---

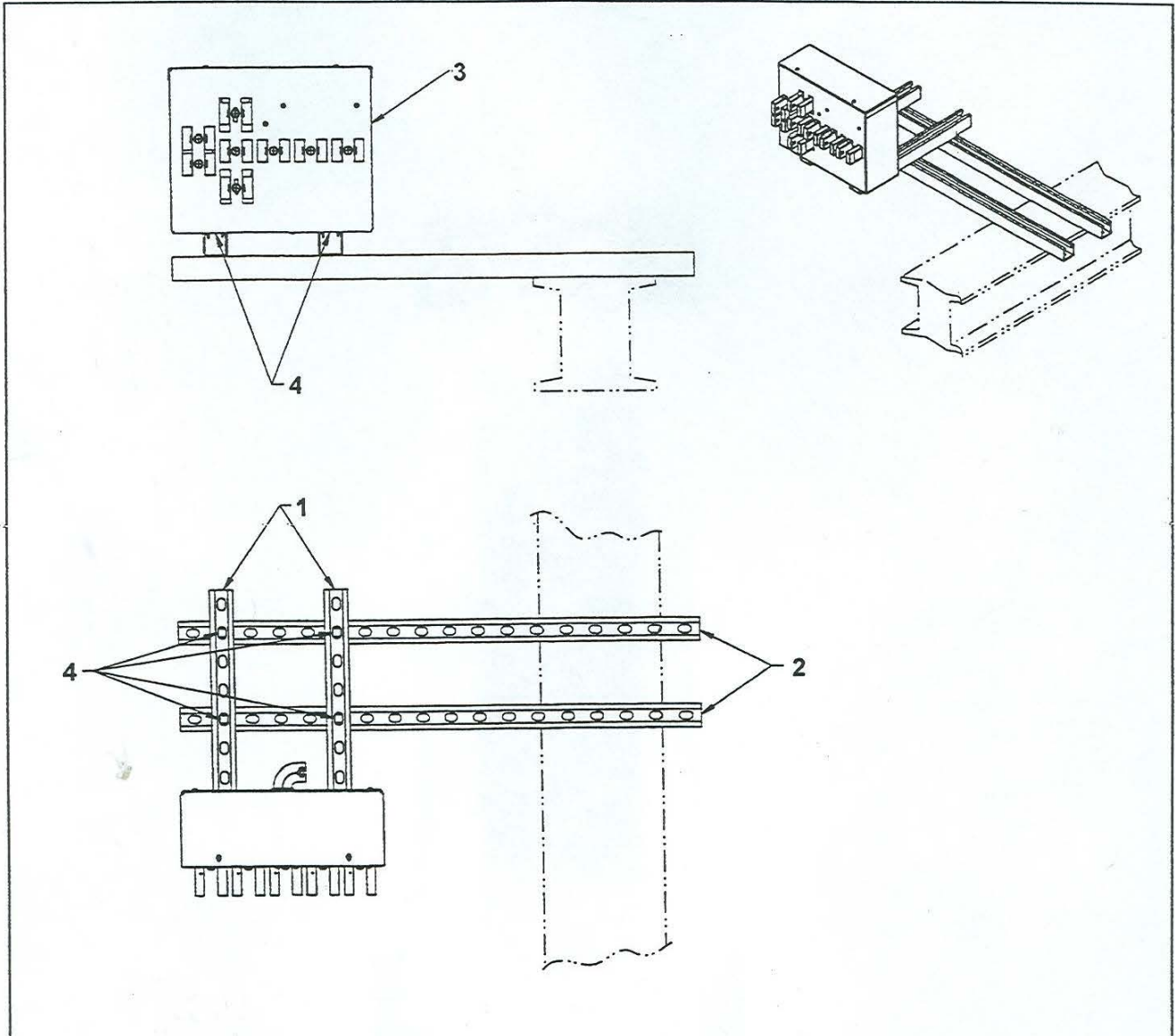
This Spare Parts Leaflet (SPL) is prepared to assist you in determining the Lowest Replaceable Units (LRU) supported by the Otis Service Center for the standard version of the product titled on the preceding page. The parts are chosen by Otis associates from: Engineering, Field Engineering, Service Engineering, and Manufacturing. We attempt to make part identification as easy as possible. The SPL, however, cannot be all inclusive. Elevator and escalator contracts classified as either "special" or "custom" are not addressed. Alternative sources of information such as: the Contract Folder, Technical Information Publications, Field Education Articles, Construction Letters, etc. may give the information you are after. You live in the real world of maintaining your elevator and escalator contracts. On a daily basis, situations arise regarding parts identification and at times, for some reason, the part you need is not in the SPL. If you think a standard part not listed should be—let us know. We will respond.



John Doane-Service Engineering

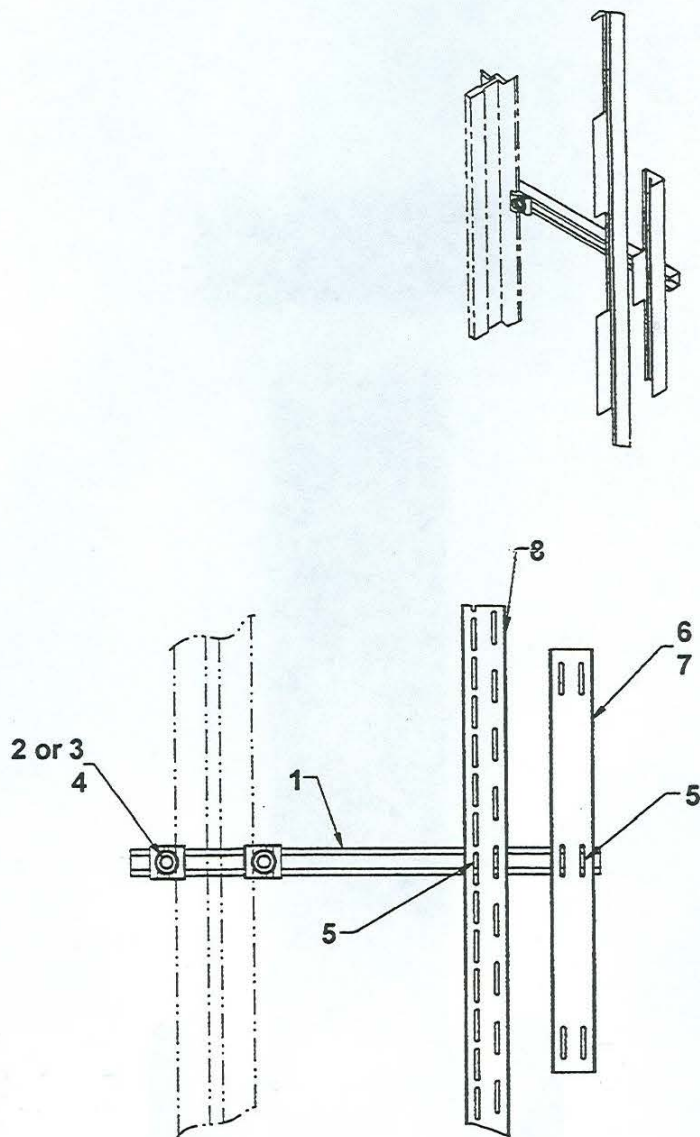
Optical Positioning Device

12-AAA25550D



VINTAGE Y 01		
REF. NO.	PART or ML	DESCRIPTION
1	AAA00347ABD001	Channel, 18 in. L
2	AAA00347ABD002	Channel, 36 in. L
3	AAA25550Z1	Device, Optical Positioning
	AAA25550Z2	
	AAA25550Z3	Device, Optical Positioning <input checked="" type="checkbox"/> Loadweighing
	AAA25550Z4	Sub-System
4	72DP23	Nut, Channel 3/8 - 16 Thread

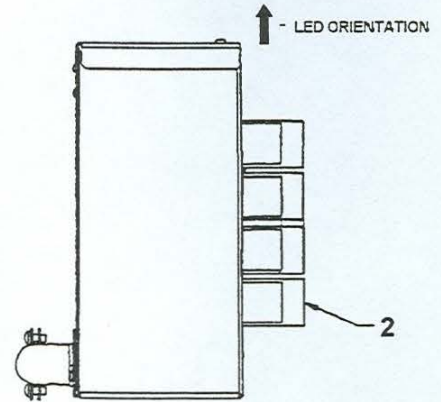
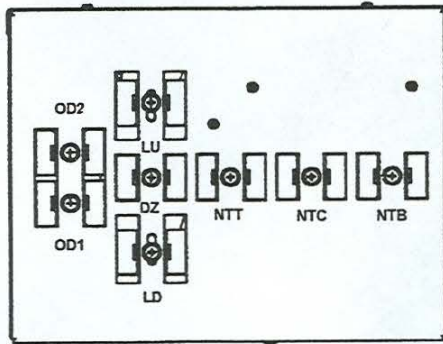
Optical Positioning Device



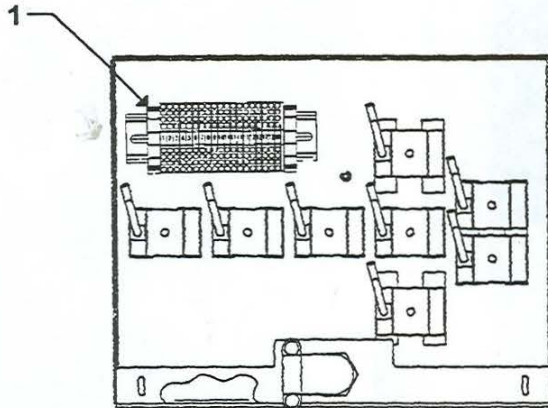
VINTAGE Y 01		
REF. NO.	PART or ML	DESCRIPTION
1	AAA347BGL2	Channel, 28 in. L
2	AAA339NN1	Clip, Rail, Used w/ Rail Size 1, 3/4, or OA
3	339E1	Clip, Rail, Used w/ Rail Size 1-1/2 or 2
4	72DP21	Nut, Channel 1/2 -13 Thread
5	72DP19	Nut, Channel 1/4 -20 Thread
6	AAA347BGJ1	Vane, Door Zone (w/ OD1/OD2)
7	AAA283ALN1	Vane, Door Zone (w/o OD1/OD2)
8	AAA347BGJ2	Vane, Terminal Zone

Optical Positioning Device

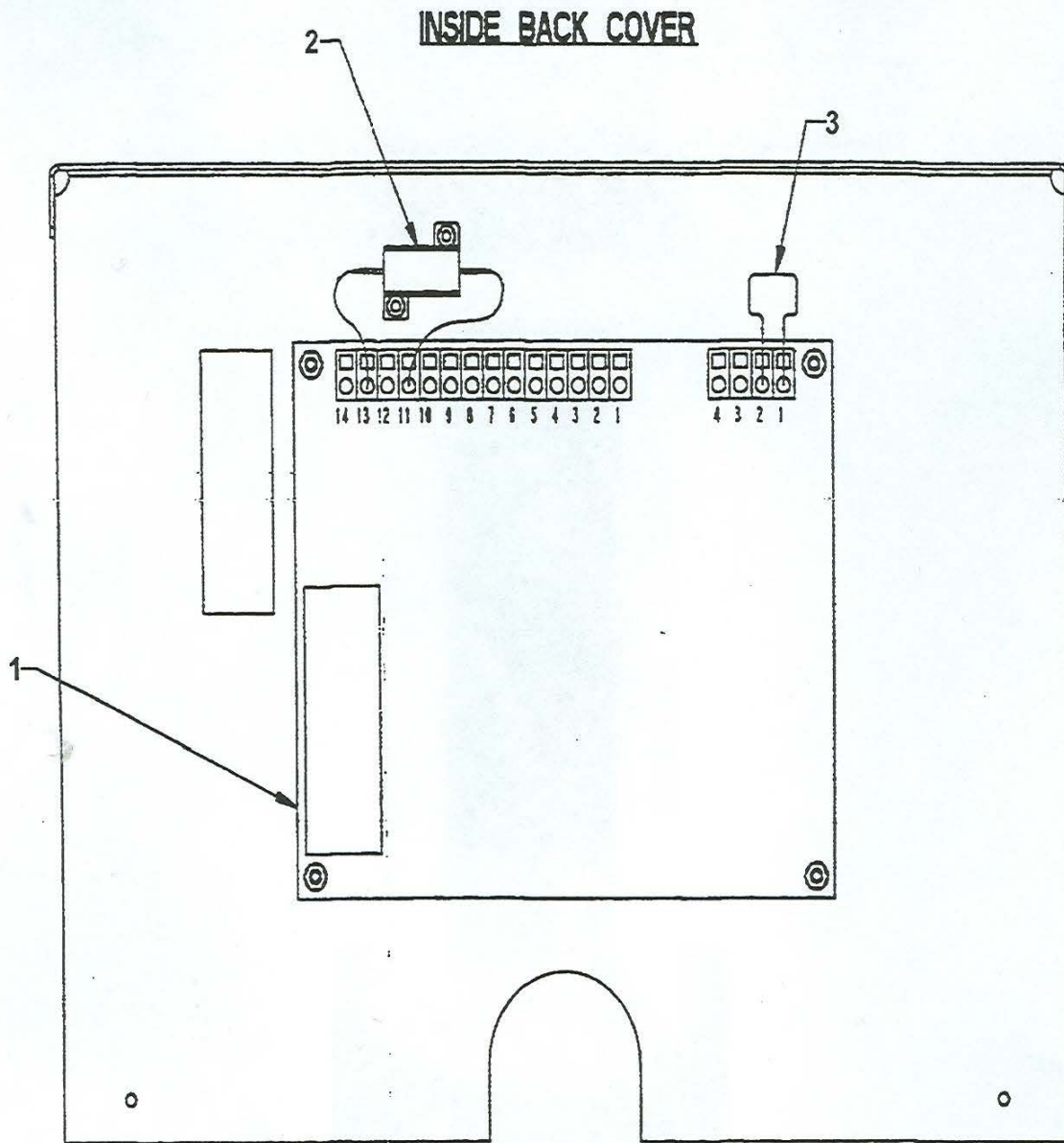
12-AAA25550D



COVER REMOVED



REF. NO.	VINTAGE Y 01 PART or ML	DESCRIPTION
1	AAA21303BK1	Assembly, Terminal Block
2	JOA629W1	Sensor, Optical



VINTAGE Y 01		
REF. NO.	PART or ML	DESCRIPTION
1	AAA26800LB1	Board, LWSS Processor
2	AAA232FE2	Resistor, Fixed
3	AAA232FV66	Resistor, Terminating