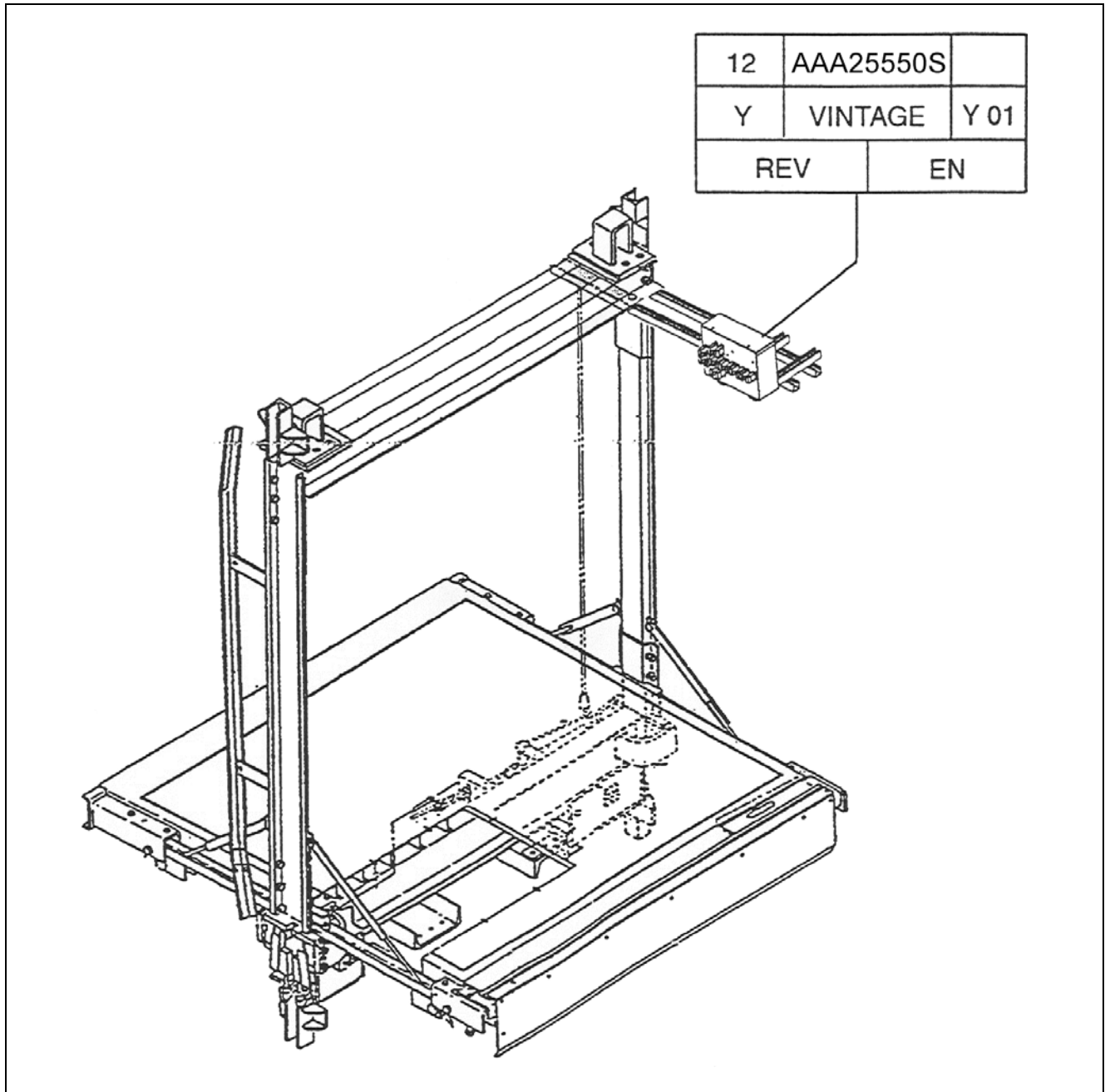


Optical Positioning  
Device  
GCSM / RMH

Spare Parts Leaflet

12-AAA25550S

November 13, 2019 / Page 1 of 7



**OTIS**

This document does not contain any  
technical data subject to EAR or ITAR

SERVICE ENGINEERING  
Otis Elevator Company  
Bloomfield, Connecticut USA

Unpublished Work—© Otis Elevator Co.; 2019

## Leaflet Description

This leaflet provides spare parts information for type AAA25550S optical positioning device.

## Leaflet Revisions

Date Revised	Subject Matter Expert	Reason for Revision
May 15, 2013	Chris Koenig	New SPL
March 22, 2017	Sohaib Shaikh	Added new p/n AAA26800AWJ1 on. 6; Added new p. 7
November 13, 2019	Chris Koenig	Changed document title to include the type of equipment it applies to

## Related Drawings

Drawing No.	Title	Drawing No.	Title
AAA25550D	Position Transducer Device	AAA25550T	Optical Positioning Device
AAA25550S	Optical Positioning Device		

## Related Documents

Document ID	Title
SPL 12-AAA25550D	Position Transducer Device
TIP 1.1.22.0-10	Elevonic R-Series System Installation

## Subject Matter Expert

Name	Department
Sohaib Shaikh	OSC Service Engineering

## About Spare Parts Leaflets...

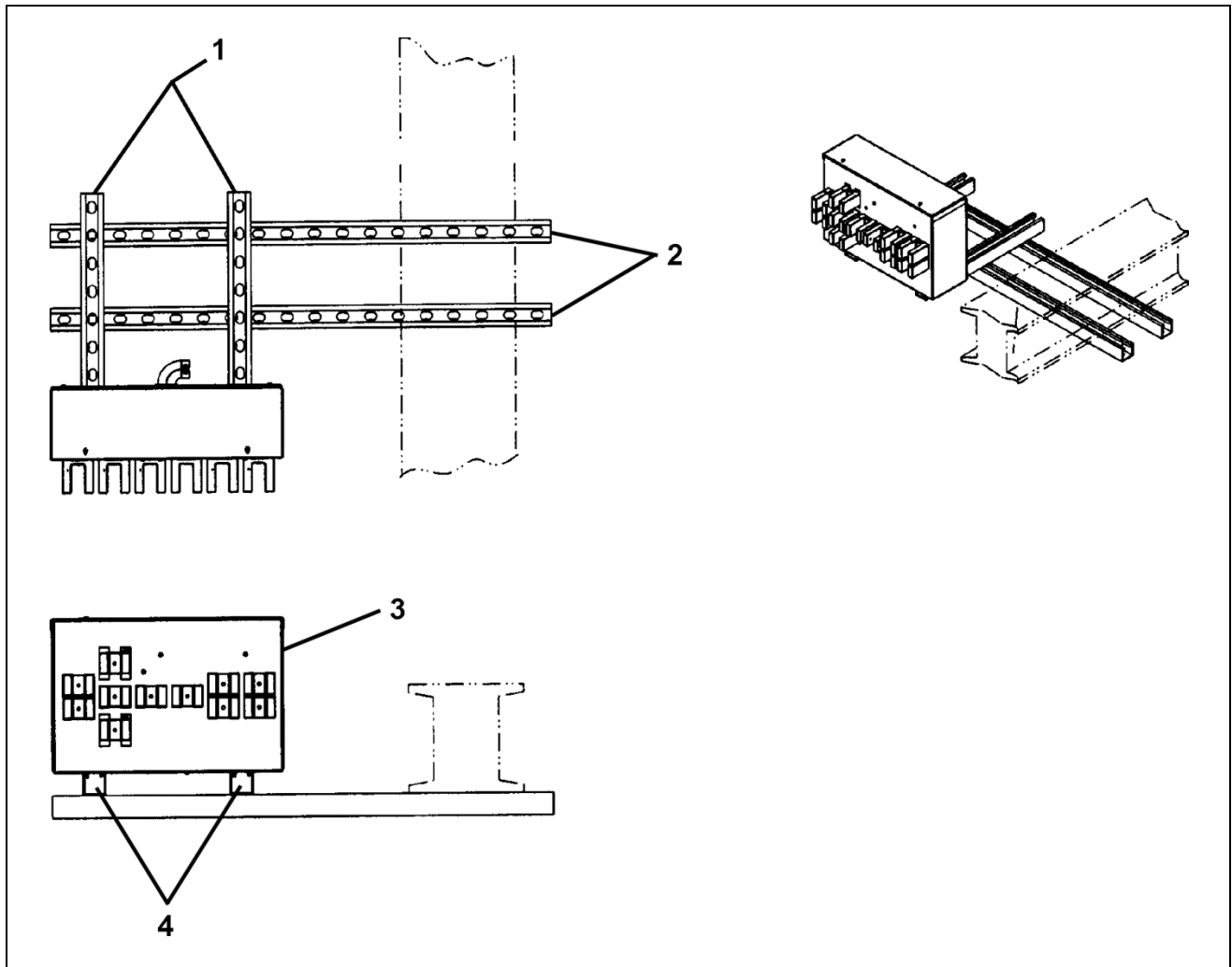
This document lists the lowest replaceable units (LRUs) for the standard version of the product. The LRUs are chosen by a team of Otis associates representing engineering and manufacturing.

The goal of this document is to make parts identification as easy as possible, the document cannot be all-inclusive. Elevator and escalator contracts classified as “special” or “custom” are not addressed here. For such contracts, please refer to specified information, the contract folder, TIPs, Field Education Articles, Construction Letters, etc. for further information.

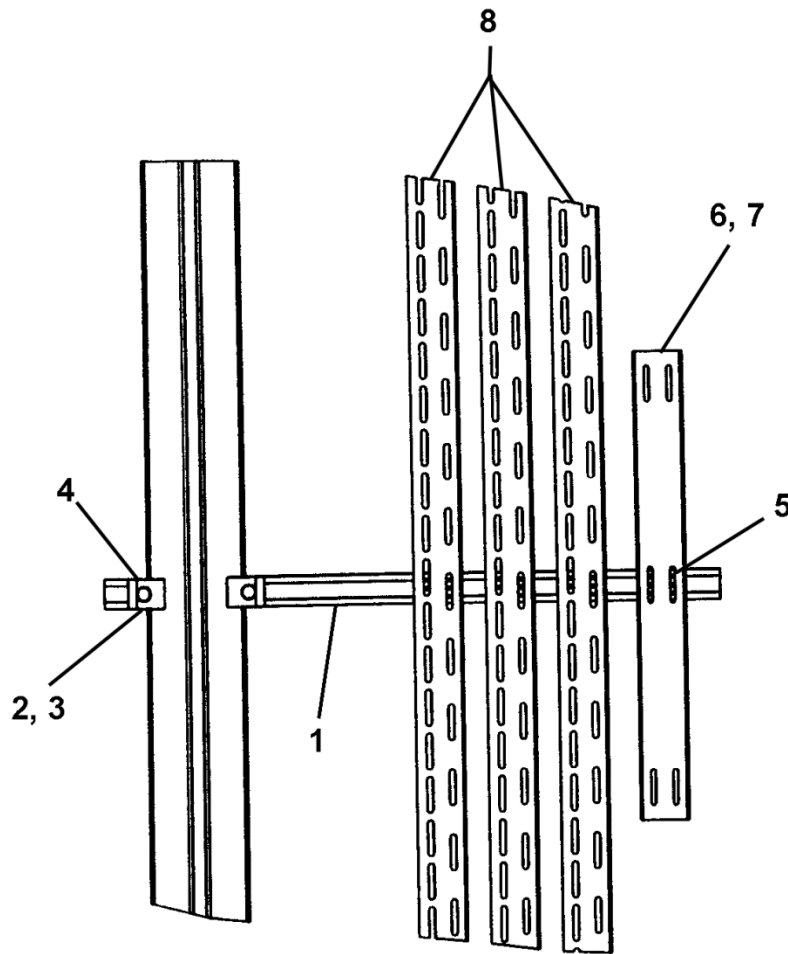
If you have any suggestions about this document, please contact the subject matter expert listed on this page.

# Optical Positioning Device

12-AAA25550S

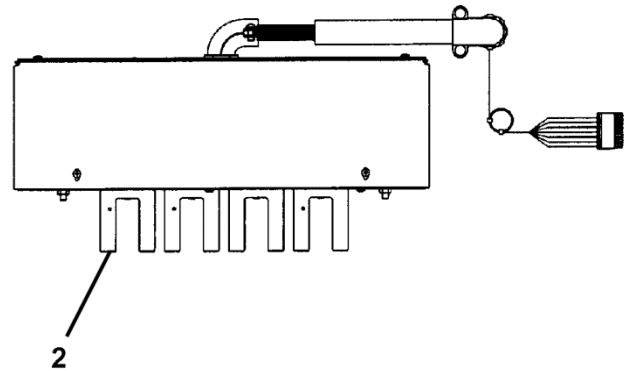
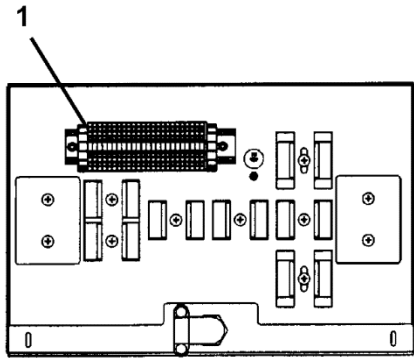
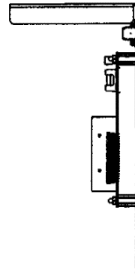
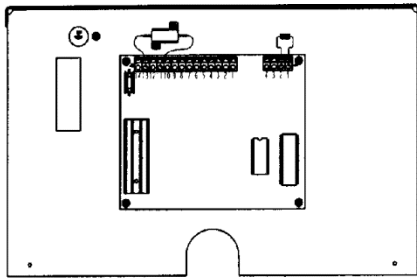


REF. No.	PART No.	SHORT STROKE BUFFER	ADV DOOR OPEN	LOAD W/ PCB	DESCRIPTION
1	AAA00347ABD001	---	---	---	Channel, 18 in. L
2	AAA00347ABD002	---	---	---	Channel, 36 in. L
3	AAA25550T1	with	with	with	Device, Optical Positioning
	AAA25550T2	with	with	without	
	AAA25550T3	with	without	with	
	AAA25550T4	with	without	without	
	AAA25550T5	without	with	with	
	AAA25550T6	without	with	without	
	AAA25550T7	without	without	with	
	AAA25550T8	without	without	without	
4	72DP23	---	---	---	Nut, Channel 3/8-16 Thread

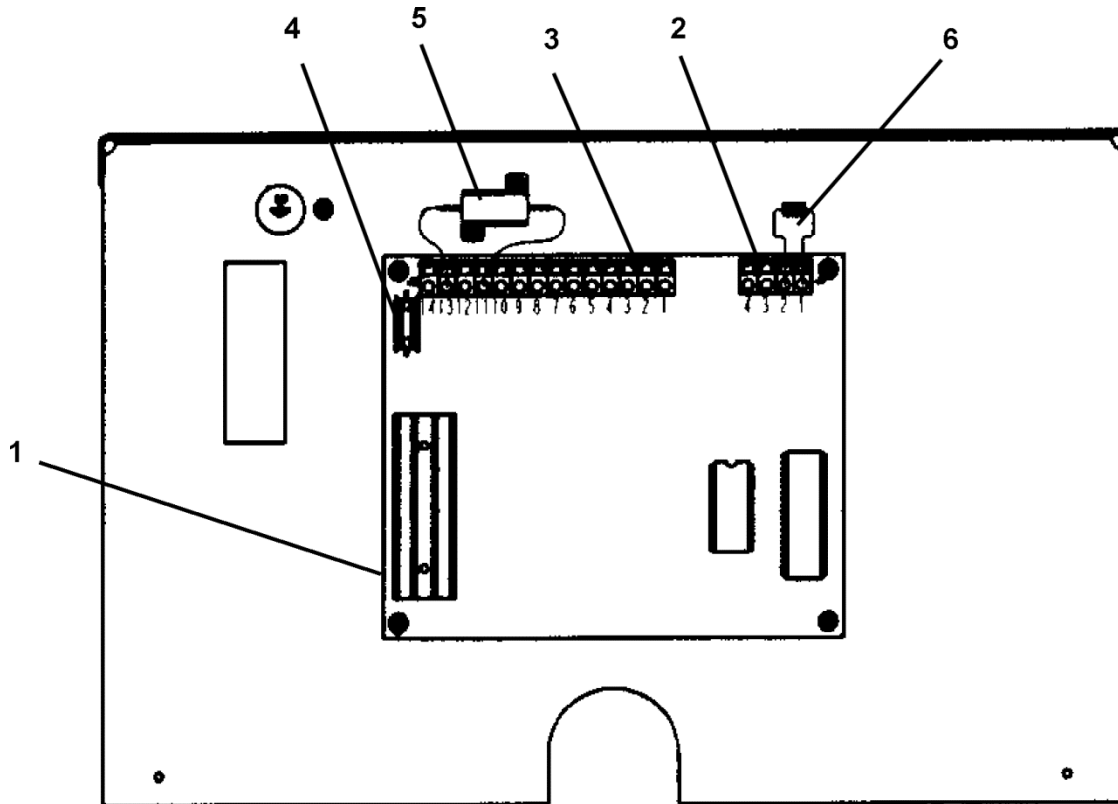


VINTAGE Y 01

REF. No.	PART No.	DESCRIPTION
1	AAA347BGL5	Channel, 34 in. L
2	AAA339NN1	Clip, Rail, Used w/ Rail Size 1, 3/4, or OA
3	339E1	Clip, Rail, Used w/ Rail Size 1-1/2 or 2
4	72DP21	Nut, Channel 1/2-13 Thread
5	72DP19	Nut, Channel 1/4-20 Thread
6	AAA347BGJ1	Vane, Door Zone (w/ OD1/OD2) (OAL = 25 in. / 635 mm)
7	AAA283ALN1	Vane, Door Zone (w/o OD1/OD2) (OAL = 6 in. / 150 mm)
8	AAA347BGJ2	Vane, Terminal Zone



REF. No.	PART No.	DESCRIPTION
	VINTAGE Y 01	
1	AAA21303BK9	Assembly, Terminal Block
2	AAA629AG7	Sensor, Optical (LU, DZ, LD, OD1, OD2)
	AAA629AG8	Sensor, Optical (NTT, NTB, ETP1-4)

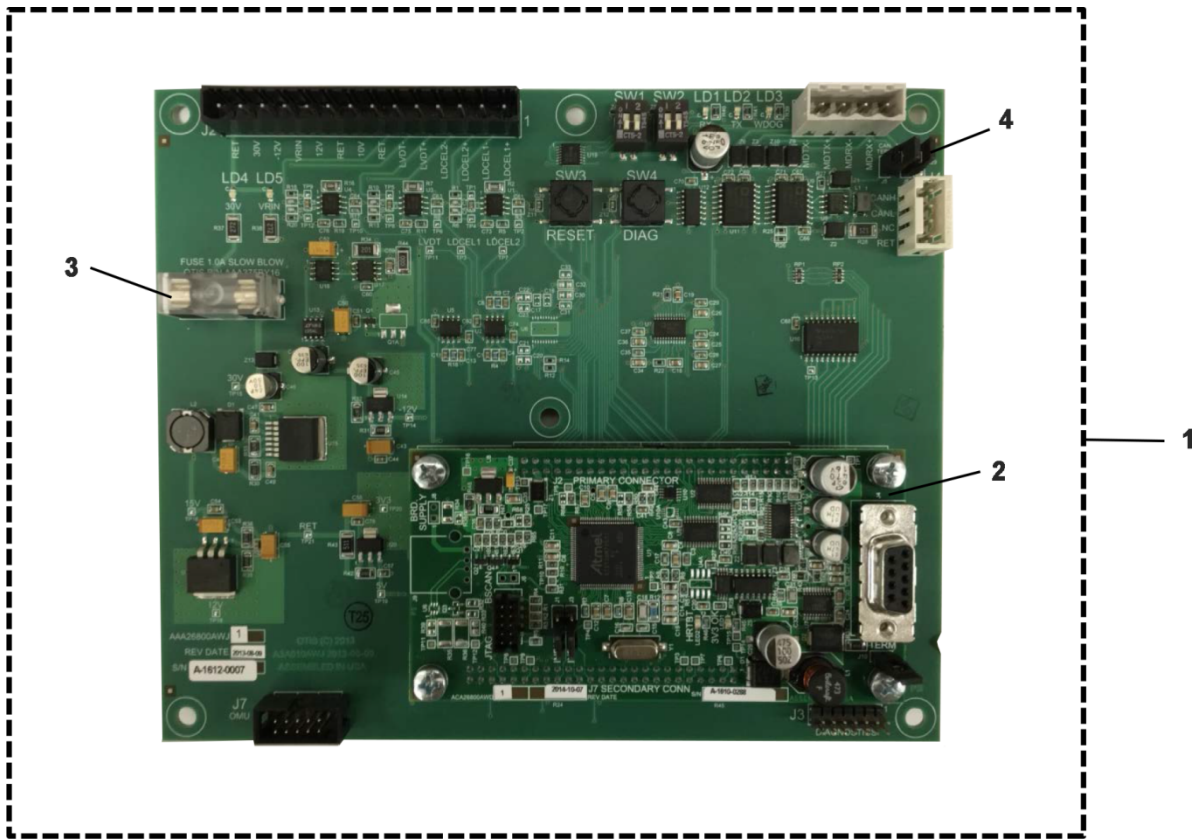



REF. No.	PART No.	DESCRIPTION
	VINTAGE Y 01	
1	ABA26800LB1 AAA26800AWJ1	Board, LWSS Processor,  p. 7
2	AAA447AP18	Connector, 4-Pin, <b>NOTE 1</b>
3	AAA447AP26	Connector, 14-Pin, <b>NOTE 1</b>
4	AAA375BY16	Fuse, 1A, <b>NOTE 1</b>
5	AAA232FE2	Resistor, Fixed, <b>NOTE 2</b>
6	AAA232FV66	Resistor, Terminating, <b>NOTE 3</b>

**NOTE 1:** For both the ABA26800LB1 and AAA26800AWJ1.

**NOTE 2:** External resistor only needed for ABA26800LB1. The AAA26800AWJ1 does not need this external resistor. For more information, see TIP 3.3-7.

**NOTE 3:** Terminating resistor only needed for ABA26800LB1. The AAA26800AWJ1 has an onboard jumper to add the terminator. For more information on multidrop link termination with the AAA26800AWJ1, see TIP 3.3-7.



REF. No.	PART No.	DESCRIPTION
1	AAA26800AWJ1	Board, LWSS Processor and I/O
2	ACA26800AWD1-LWSS	Board, LWSS Processor, w/ LWSS Software ---31652---
3	AAA375BY16	Fuse, 1 A
4	AAA646D2	Jumper, Shunt, w/ Handle
*	---31652---	Software, Application, for p/n AAA26800AWJ1 on OMU (Otis Memory Unit)  <b>NOTE</b>

\* Part not shown.

**NOTE:** Please contact OSC Customer Service for the latest version of software.