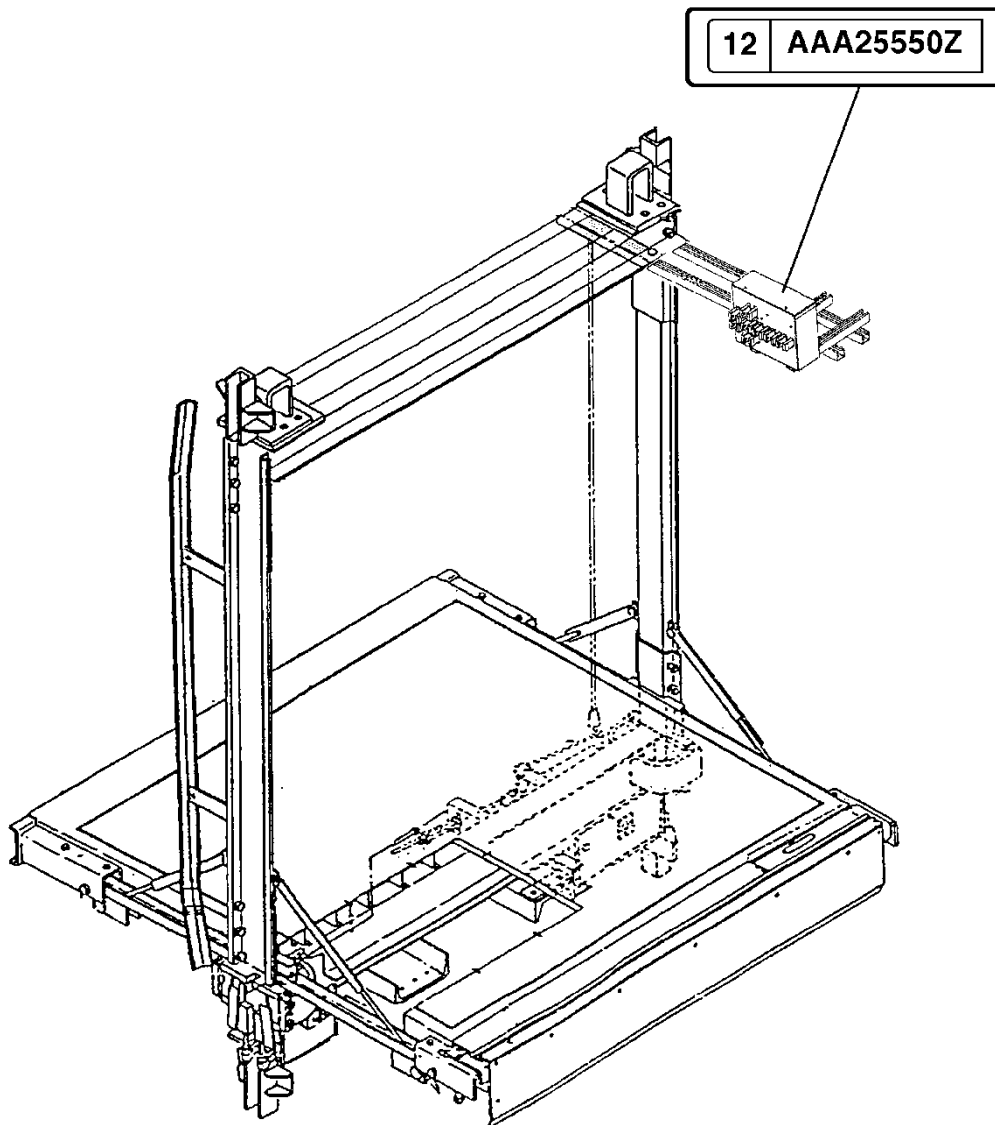


Optical Positioning  
Device  
E411M-MS

Spare Parts Leaflet  
12-AAA25550Z

November 13, 2019 / Page 1 of 7



**OTIS**

This document does not contain any  
technical data subject to EAR or ITAR

SERVICE ENGINEERING  
Otis Elevator Company  
Bloomfield, Connecticut USA

Unpublished Work—© Otis Elevator Co.; 2019

## Leaflet Description

Vane reader used with Elevonic® 311M-MS and 411M-MS.

### Leaflet Revisions

Date Revised	Subject Matter Expert	Reason for Revision
March 1999	John Doane	New leaflet 12-AAA25550D created from SPL 12-7630H and drawing AAA25550D
December 1, 1999	John Doane	Change leaflet number. Correct vintage tag information.
June 7, 2017	Sohaib Shaikh	Added part AAA26800AWJ1 on p. 6; Added p. 7.
November 13, 2019	Chris Koenig	Changed document title to include the type of equipment it applies to

### Related Drawings

Drawing No.	Title	Drawing No.	Title
AAA2550D	---	AAA2550Z	---

### Related Documents

Document ID	Title
SPL 12-7630H	<i>Position Transducer Device</i>

### Subject Matter Expert

Name	Department
Sohaib Shaikh	OSC Service Engineering

### About Spare Parts Leaflets...

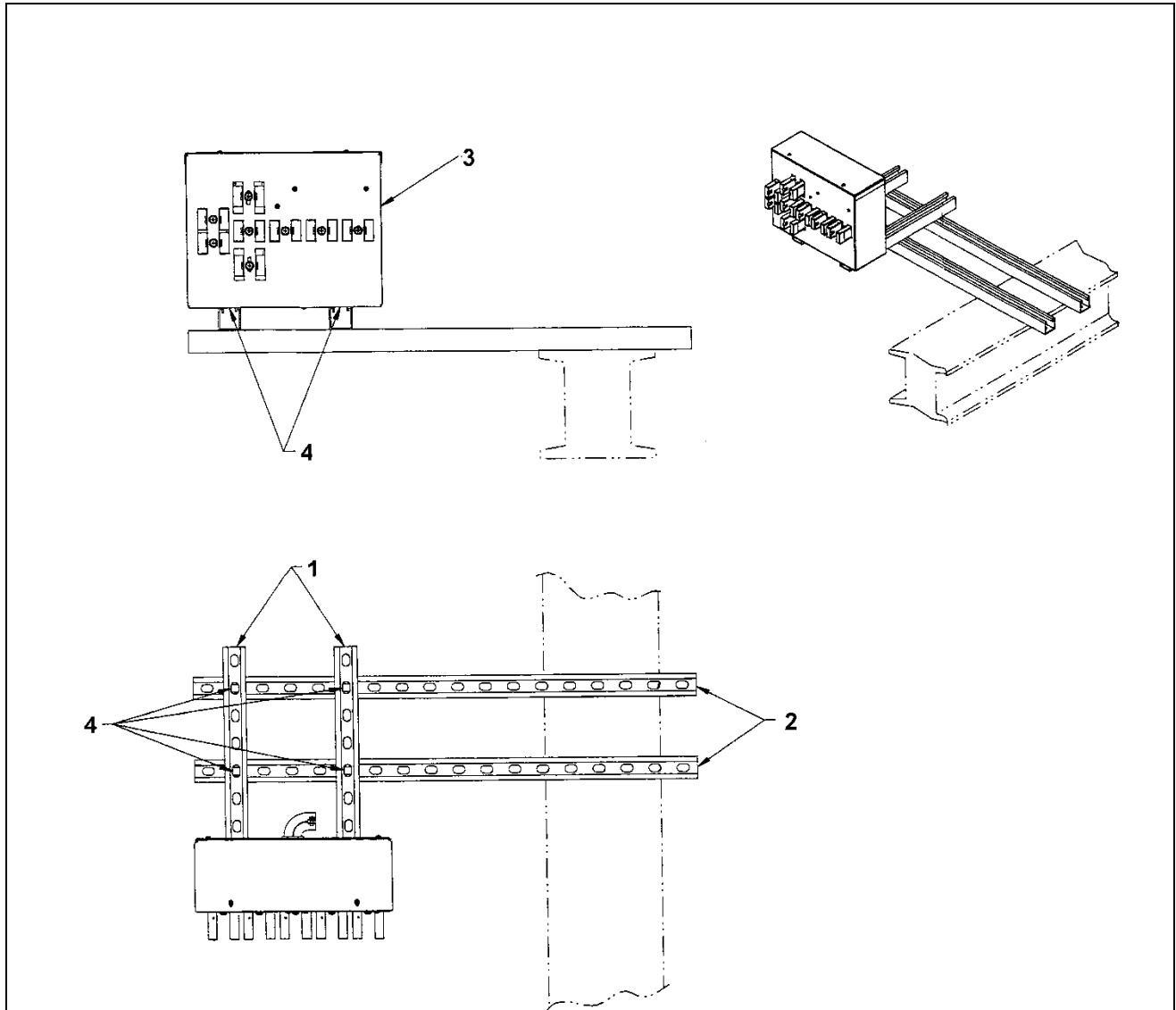
This document lists the lowest replaceable units (LRUs) for the standard version of the product. The LRUs are chosen by a team of Otis associates representing engineering and manufacturing.

While goal of this document is to make parts identification as easy as possible, the document cannot be all-inclusive. Elevator and escalator contracts classified as “special” or “custom” are not addressed here. For such contracts, please refer to specified information, the contract folder, TIPS, Field Education Articles, Construction Letters, etc. for further information.

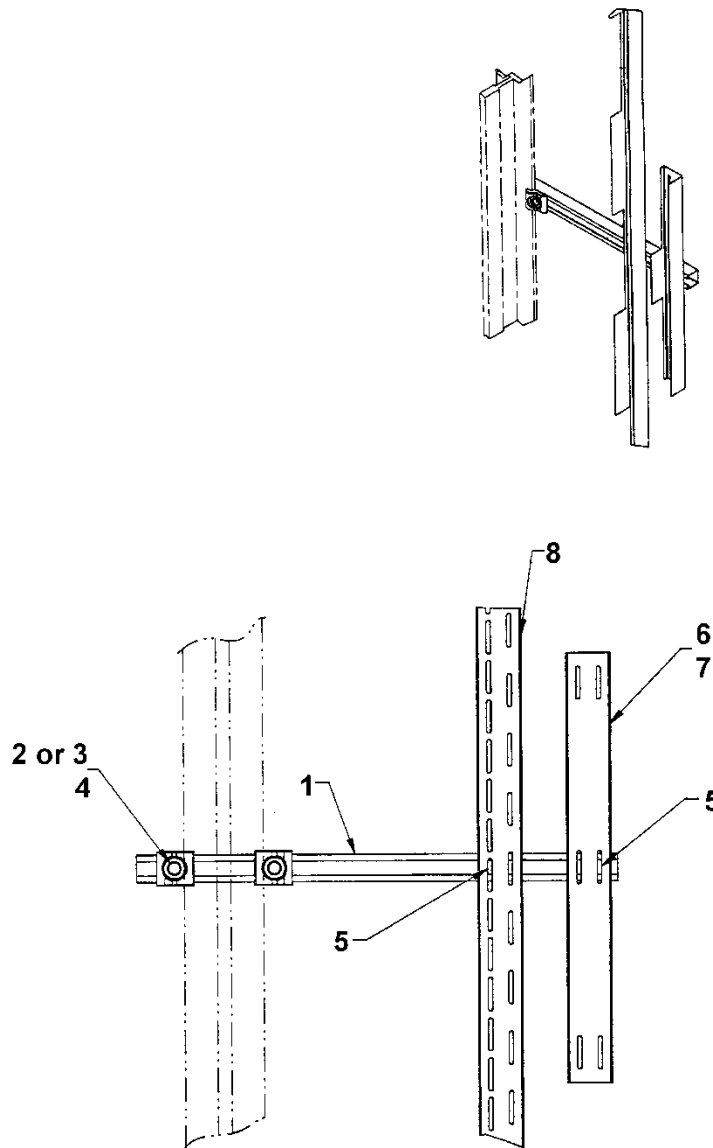
If you have any suggestions about this document, please contact the subject matter expert listed on this page.

# Optical Positioning Device

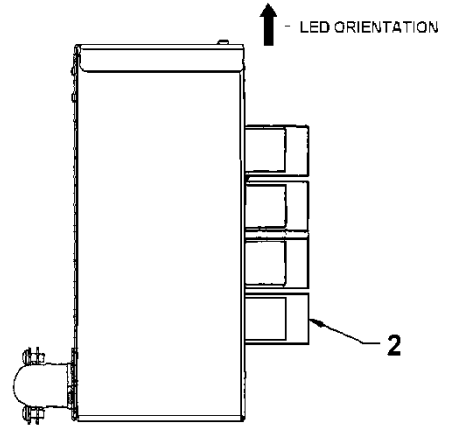
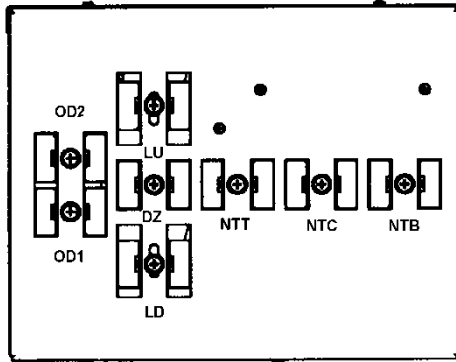
12-AAA25550Z



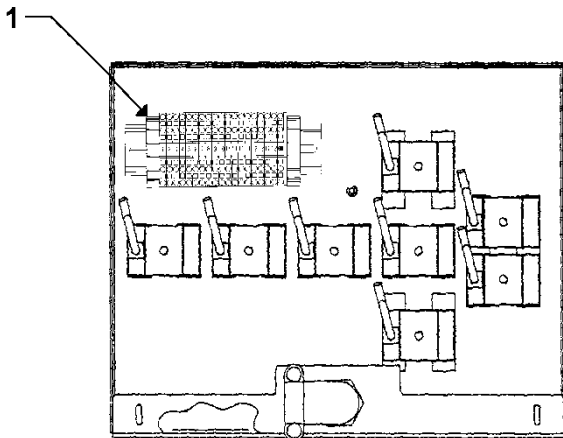
REF. No.	PART No.	DESCRIPTION
	AAA25550Z	
1	AAA00347ABD001	Channel, 18 in. L
2	AAA00347ABD002	Channel, 36 in. L
3	AAA25550Z1	Device, Optical Positioning
	AAA25550Z2	
	AAA25550Z3	Device, Optical Positioning <input checked="" type="checkbox"/> Loadweighing Sub-System
	AAA25550Z4	
4	72DP23	Nut, Channel 3/8-16 Thread



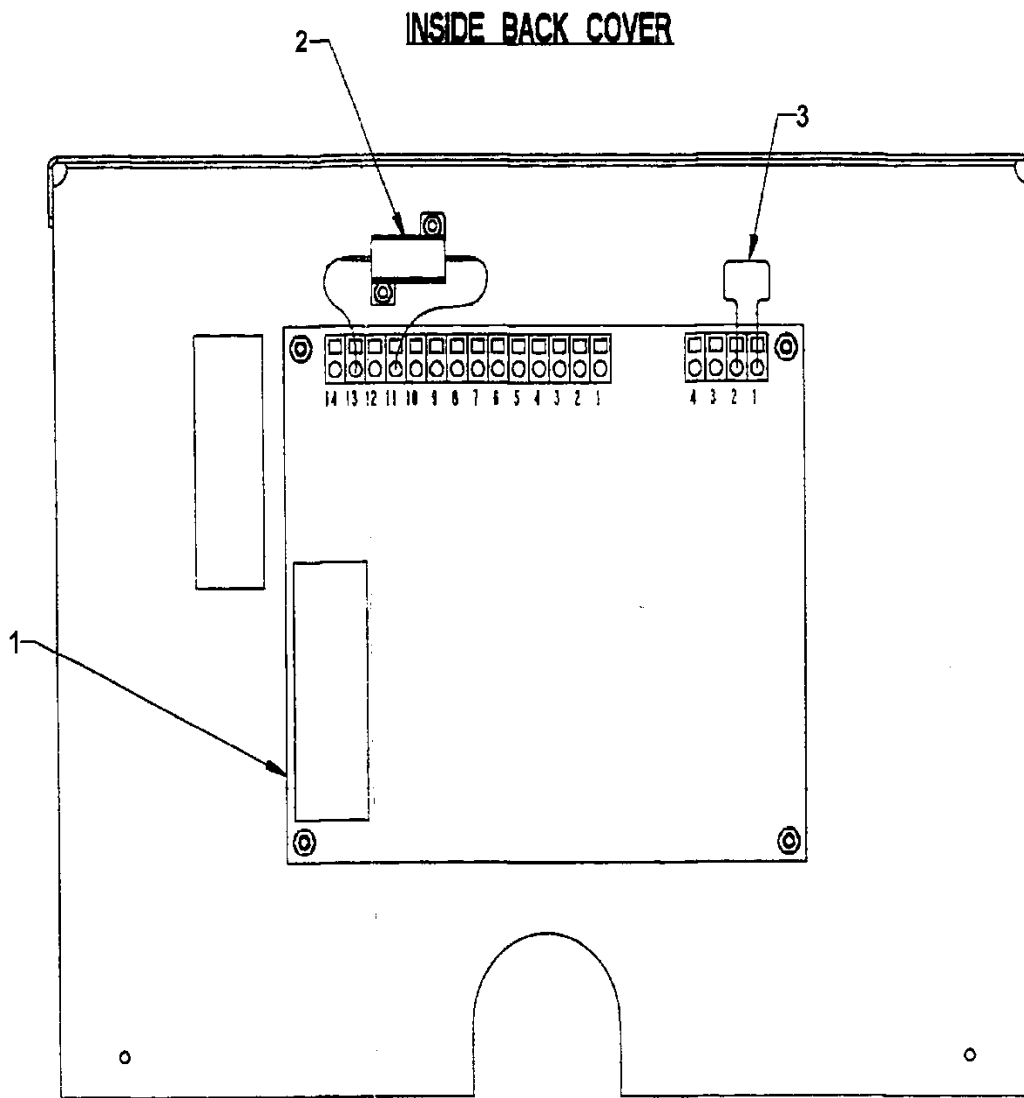
REF. No.	PART No.	DESCRIPTION
	AAA25550Z	
1	AAA347BGL2	Channel, 28 in. L
2	AAA339NN1	Clip, Rail, Used w/Rail Size 1-3/4 or OA
3	339E1	Clip, Rail, Used w/Rail Size 1-1/2 or 2
4	72DP21	Nut, Channel 1/2-13 Thread
5	72DP19	Nut, Channel 1/4-20 Thread
6	AAA347BGJ1	Vane, Door Zone (w/OD1/OD2)
7	AAA283ALN1	Vane, Door Zone (w/o OD1/OD2)
8	AAA347BGJ2	Vane, Terminal Zone



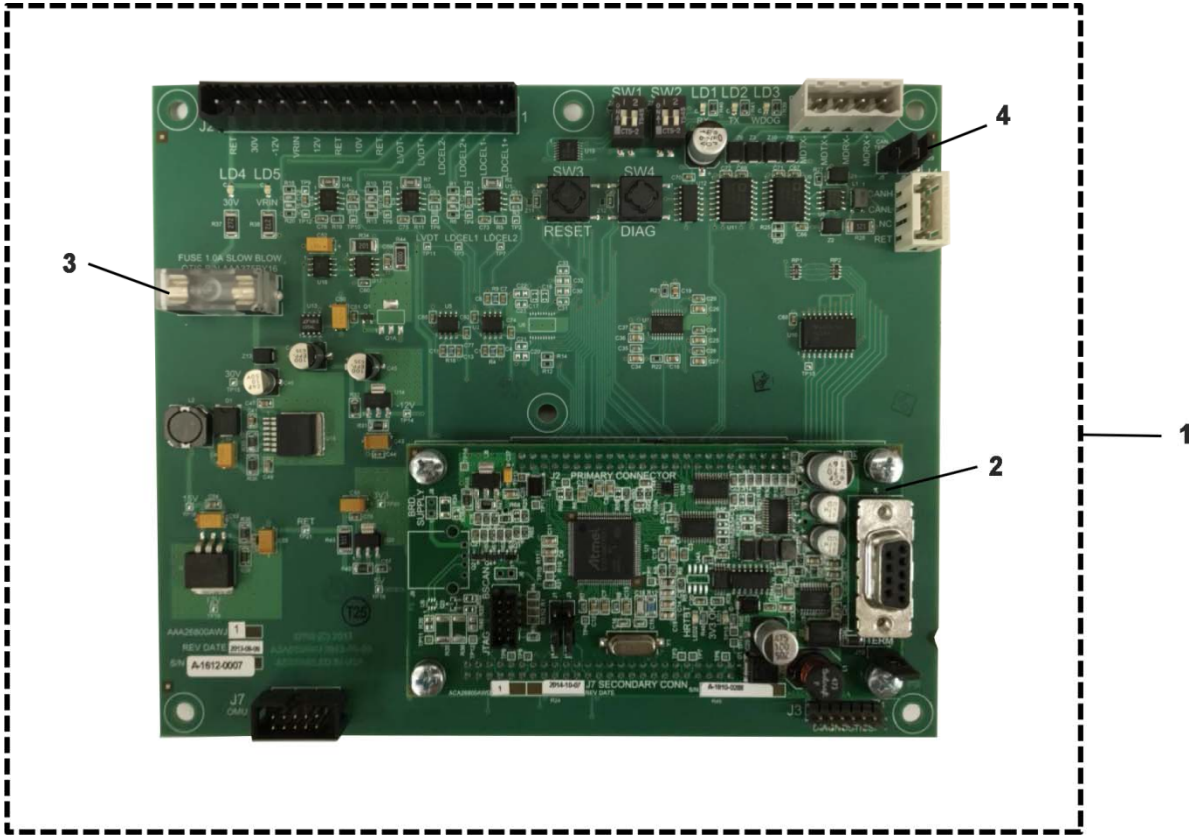
COVER REMOVED



REF. No.	PART No.	DESCRIPTION
1	AAA21303BK1	Assembly, Terminal Block
2	JOA629W1	Sensor, Optical



REF. No.	PART No.	DESCRIPTION
	AAA25550Z	
1	AAA26800LB1 AAA26800AWJ1	Board, LWSS Processor  p. 7
2	AAA232FE2	Resistor, Fixed
3	AAA232FV66	Resistor, Terminating



REF. No.	PART No.	DESCRIPTION
1	AAA26800AWJ1	Board, LWSS Processor and I/O
2	ACA26800AWD1-LWSS	Board, LWSS Processor, w/ LWSS Software ---31652---
3	AAA375BY16	Fuse, 1 A
4	AAA646D2	Jumper, Shunt, w/ Handle
*	--31652---	Software, Application, for p/n AAA26800AWJ1 on OMU (Otis Memory Unit), <b>NOTE</b>

\* Part not shown.

**NOTE:** Please contact OSC Customer Service for the latest version of software.