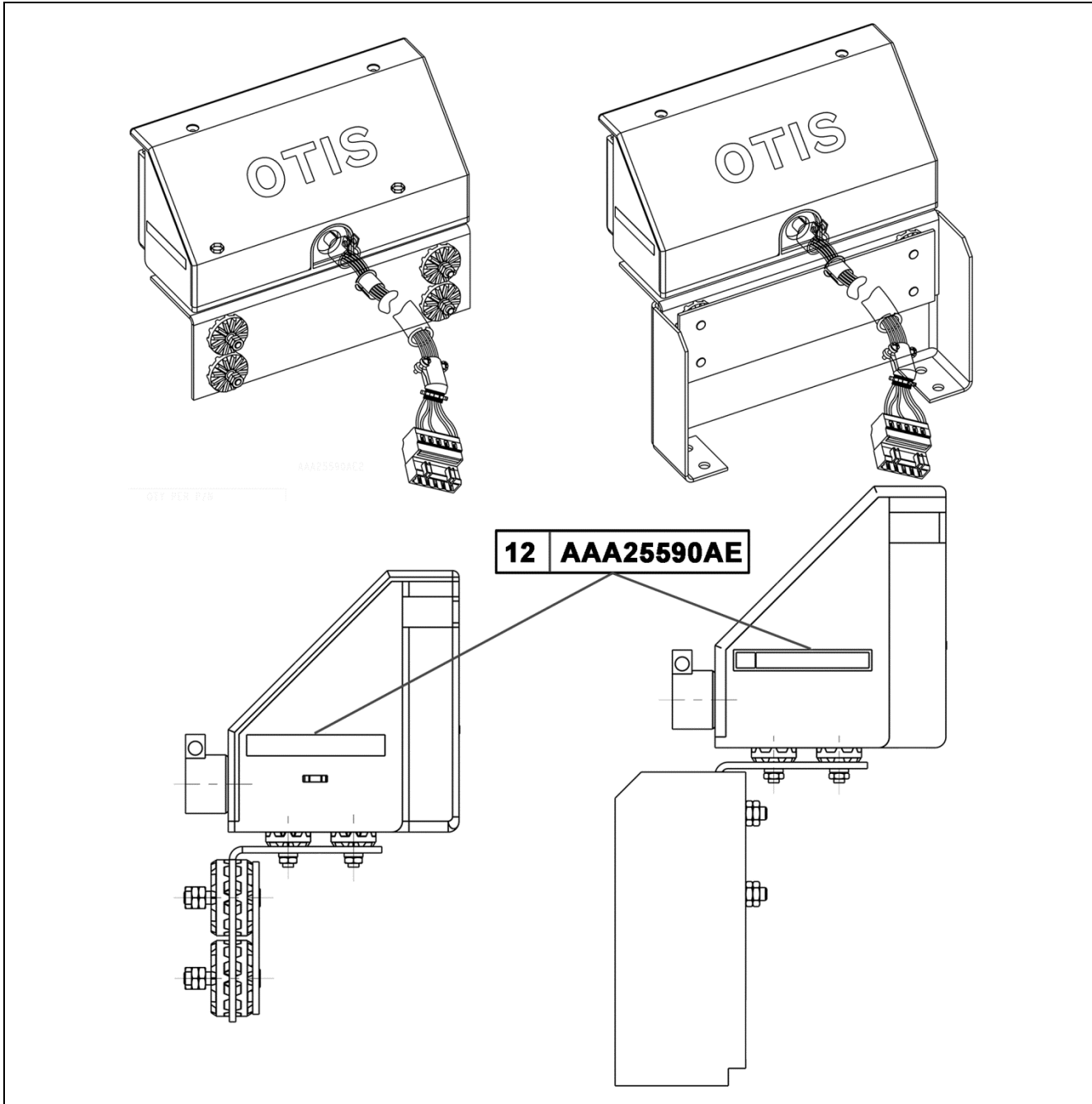


# Reed Switch Assembly

Spare Parts Leaflet  
12-AAA25590AE

January 27, 2016 / Page 1 of 5



SERVICE ENGINEERING  
Otis Elevator Company  
Bloomfield, Connecticut USA  
Unpublished Work—© Otis Elevator Co.; 2016

## Leaflet Description

This leaflet provides spare parts information for the reed switch assembly used for normal terminal and emergency terminal stopping functions on Gen2® Underslung and Gen2® Overslung model elevators. These assemblies are mounted on the car top and interface with magnet brackets which are mounted to car rails to determine terminal stopping and slowdown locations.

## Leaflet Revisions

Date Revised	Subject Matter Expert	Reason for Revision
January 27, 2016	Andrew Vallowe	New SPL

## Related Drawings

Drawing No.	Title	Drawing No.	Title
AAA25590AE	Reed Switch Assembly	AAA22440N	Magnet Reflector Assembly, G2S
AAA25580BM	Magnet reflector Assembly, G2O		

## Related Documents

Document ID	Title

## Subject Matter Expert

Name	Department
Ali Bozorgzadeh and Andrew Vallowe	OSC Service Engineering

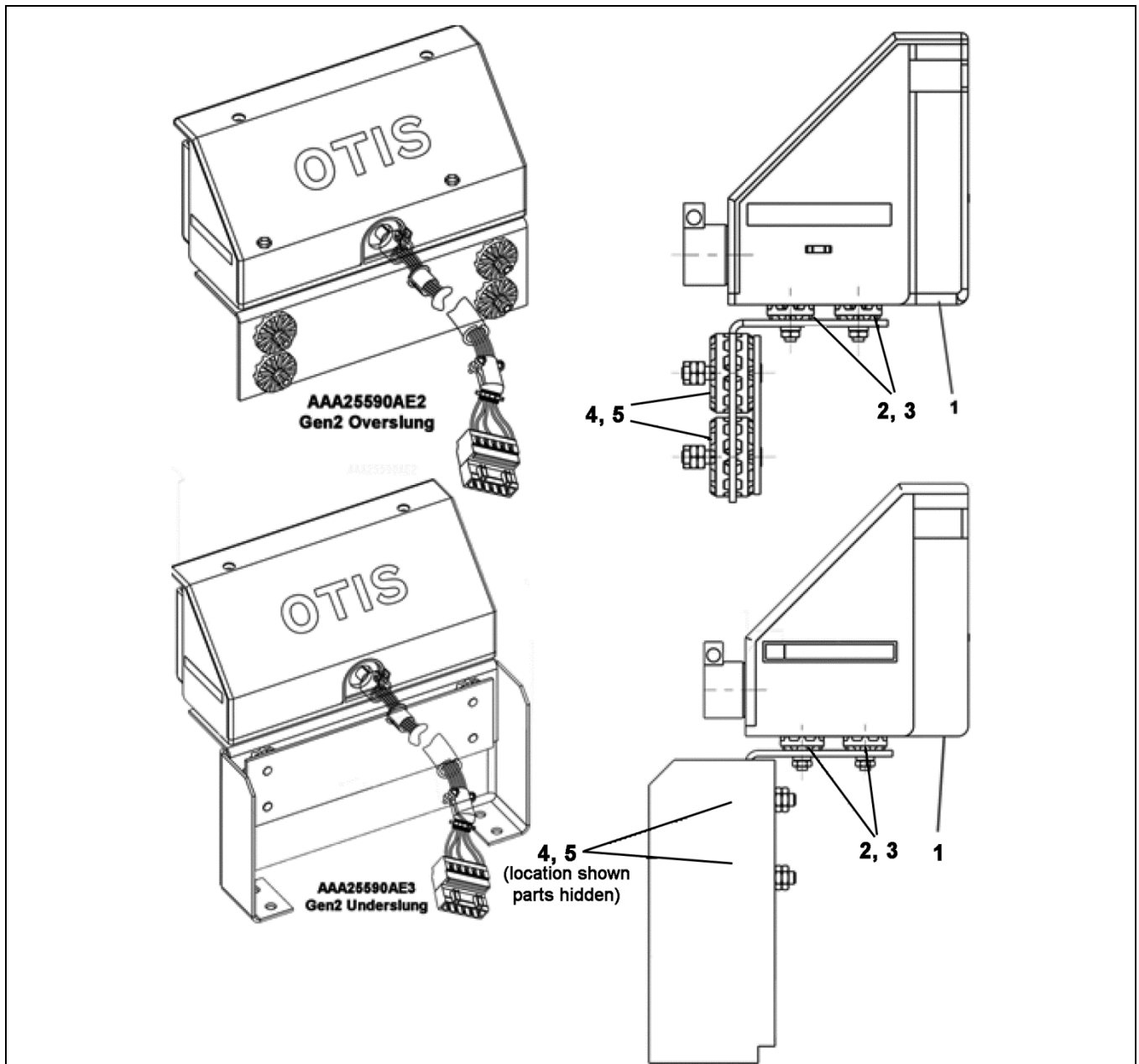
## About Spare Parts Leaflets...

This document lists the lowest replaceable units (LRUs) for the standard version of the product. The LRUs are chosen by a team of Otis associates representing engineering and manufacturing.

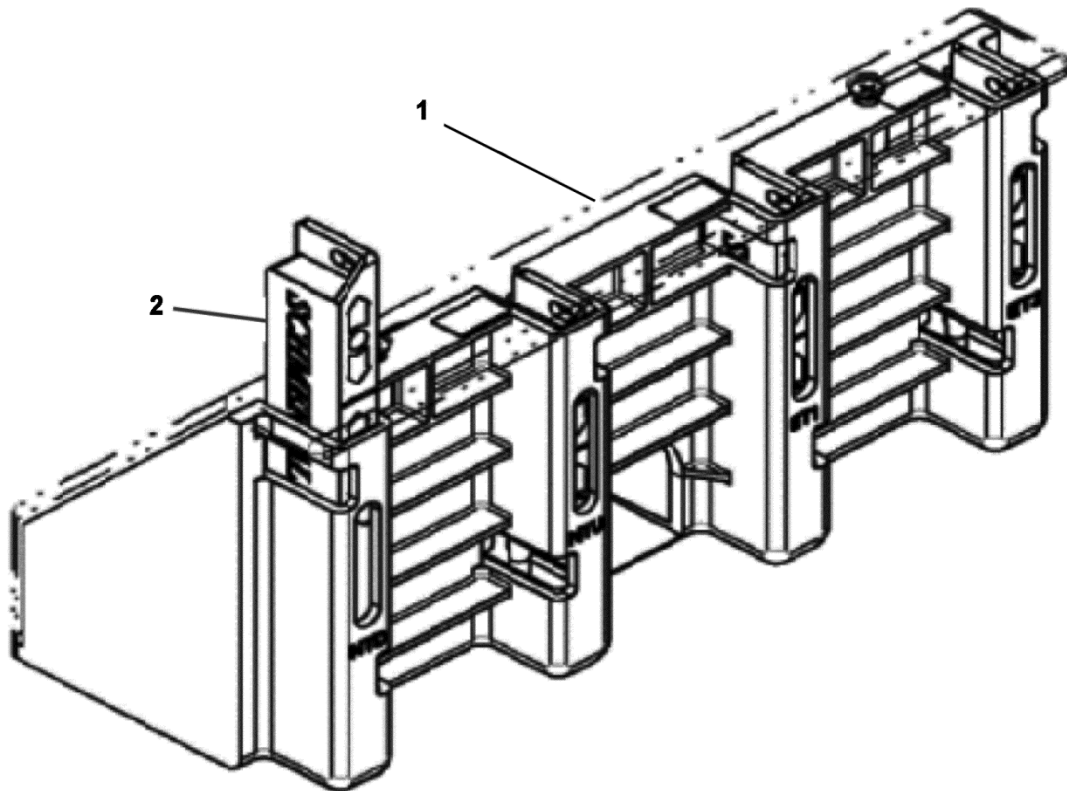
While goal of this document is to make parts identification as easy as possible, the document cannot be all-inclusive. Elevator and escalator contracts classified as “special” or “custom” are not addressed here. For such contracts, please refer to specified information, the contract folder, TIPS, Field Education Articles, Construction Letters, etc. for further information.

If you have any suggestions about this document, please contact the subject matter expert listed on this page.

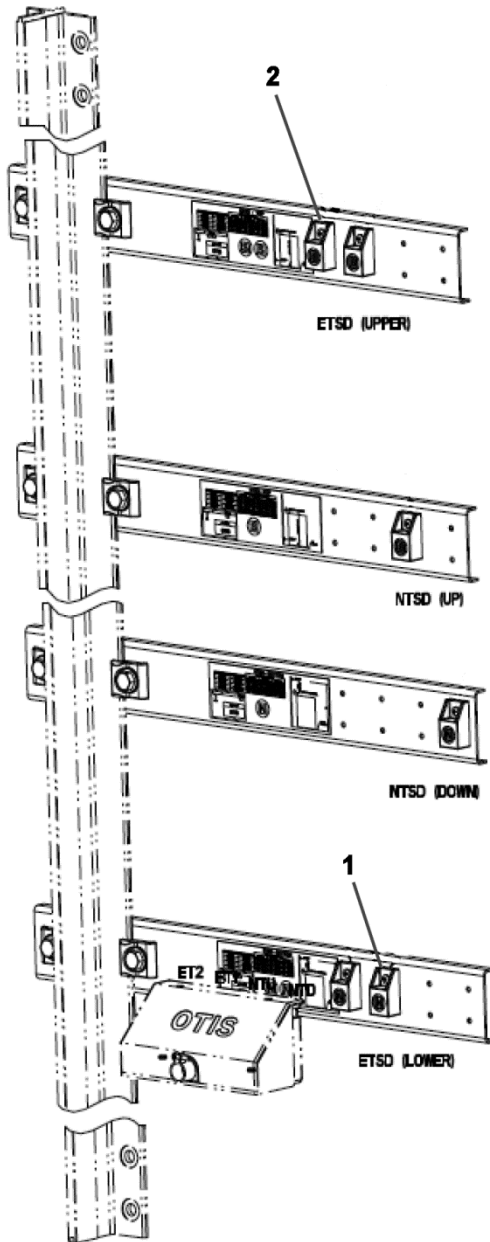
Reed Switch Assembly



REF. No.	PART No.	DESCRIPTION
	AAA25590AE	
1	AAA25590AD2	Assembly, Reed Switch
2	AAA321KQ1	Isolator Ring, 20.6 mm Diameter
3	AAA321KQ2	Isolator Bushing, 20.6 mm Diameter
4	AAA321KQ3	Isolator Ring, 34.9 mm Diameter
5	AAA321KQ4	Isolator Bushing, 34.9 mm Diameter



REF. No.	PART No.	DESCRIPTION
	AAA25590AE	
1	KAA29505AAJ3	Assembly, Reed Switch (all configurations)
2	KAA661AAG1	Reed Switch (all configurations)



REF. No.	PART No.	DESCRIPTION
	AAA25590AE	
1	KAA233AAD1	Magnet, North Polarity
2	KAA233AAD2	Magnet, South Polarity