

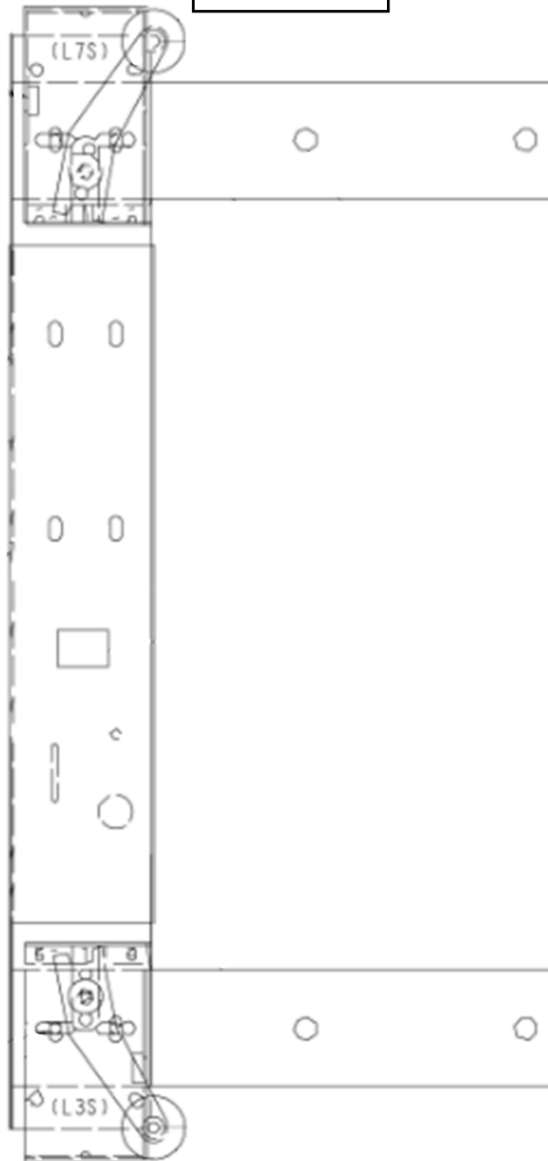
Limit Switch Hoistway Mount

Spare Parts Leaflet

12-AAA25590R

July 21, 2021 / Page 1 of 3

**W/O
VINTAGE**



OTIS

This document does not contain any technical data subject to EAR or ITAR

SERVICE ENGINEERING

Otis Elevator Company

Bloomfield, Connecticut USA

Unpublished Work—© Otis Elevator Co.; 2021

Leaflet Description

This leaflet provides spare parts information for hoistway limit switches used in the LVT telescopic hydro, type A*A29000AB. There are four switches utilized: single pole has one set of contacts; double pole has two sets of contacts.

Leaflet Revisions

Date Revised	Subject Matter Expert	Reason for Revision
July 21, 2021	Gary Mendrala	New SPL

Related Drawings

Drawing No.	Title	Drawing No.	Title
AAA29000AB	LVT Hydro Machine	AAA6098NM	Limit Switch
A*A25590R	Assembly Limit Switch		

Related Documents

Document ID	Title
40-AAA29000AB	SPL System level leaflet LVT Telescopic Hydro Machine

Subject Matter Expert

Name	Department
Gary Mendrala	Service Engineering

About Spare Parts Leaflets...

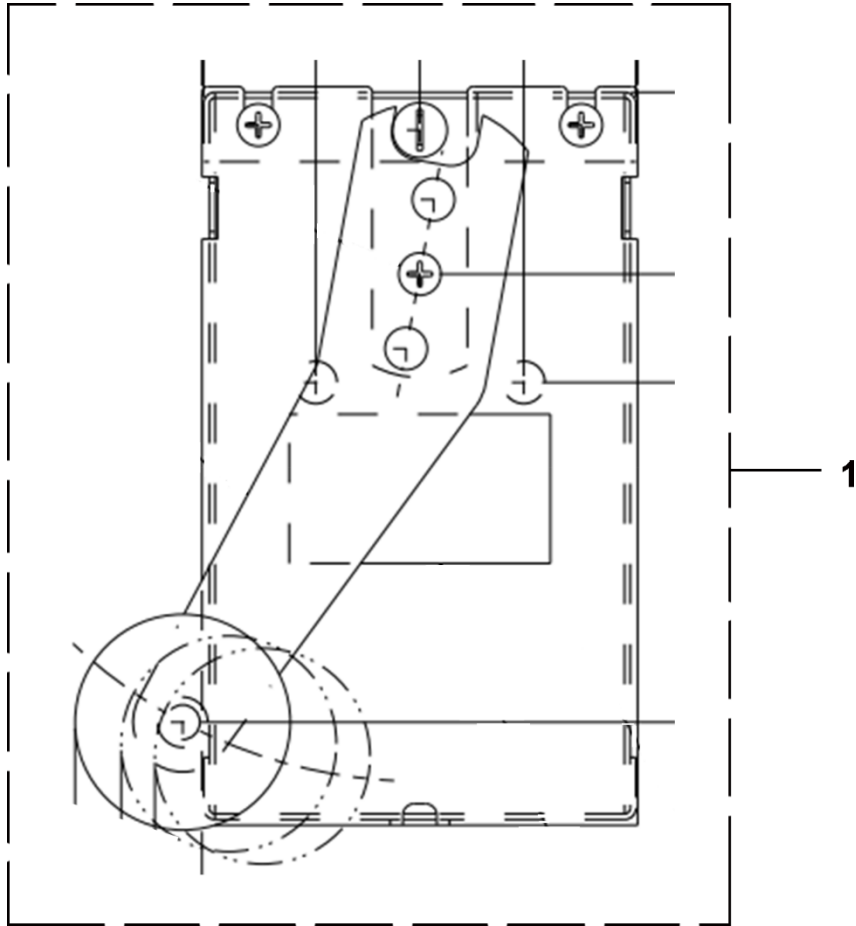
This document lists the lowest replaceable units (LRUs) for the standard version of the product. The LRUs are chosen by a team of Otis associates representing engineering and manufacturing.

While goal of this document is to make parts identification as easy as possible, the document cannot be all-inclusive. Elevator and escalator contracts classified as “special” or “custom” are not addressed here. For such contracts, please refer to specified information, the contract folder, TIPs, Field Education Articles, Construction Letters, etc. for further information.

If you have any suggestions about this document, please contact the subject matter expert listed on this page.

Limit Switch Hoistway Mount

40-AAA29000AB



W/O VINTAGE		
REF. No.	PART No.	DESCRIPTION
1	AAA6098NM1	Switch, Single-Pole Breaking (as shown)
	AAA6098NM2	Switch, Single-Pole Breaking (opposite)
	AAA6098NM3	Switch, Double-Pole Breaking (as shown)
	AAA6098NM4	Switch, Double-Pole Breaking (opposite)